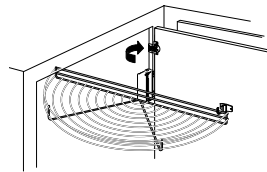
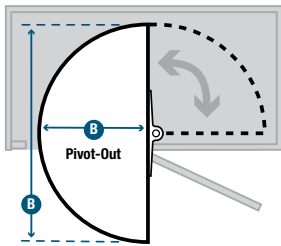
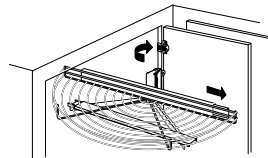
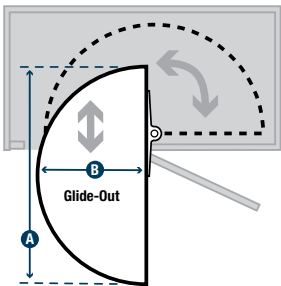


Wire Half-Moon Lazy Susans

- Designed for use in blind corner cabinets
- KV Eco-Friendly Frosted Nickel finish or White
- Pivot-out shelf features non-handed reversible hinge system
- Glide-out shelf extends on 21-5/8" heavy-duty ball-bearing slides
- Nylon door follower attaches Lazy Susan to door for automatic shelf retrieval (pivot-out models only)



HM28



HM28G



TOP: HM28-W / BOTTOM: HM28G-W



HM28G-FN

See Page 31 for available Cabinet and Shelf Lip Dimensions for the part numbers on this page.

Stock #	Diameter		Finish	Units per Carton	Weight per Carton
	A	B			
PIVOT-OUT SHELF MOTION					
HM25-W	24-1/2" [622 mm]	11-7/8" [302 mm]	White	1	4.4 lbs. [2.0 kg.]
HM28-W	27-1/2" [699 mm]	13-3/8" [340 mm]	White	1	4.7 lbs. [2.1 kg.]
HM30-W	29-1/2" [749 mm]	14-1/4" [365 mm]	White	1	5.0 lbs. [2.3 kg.]
HM34-W	33-1/2" [851 mm]	16-3/8" [416 mm]	White	1	6.0 lbs. [2.7 kg.]
HM25-FN	24-1/2" [622 mm]	11-7/8" [302 mm]	Frosted Nickel**	1	4.4 lbs. [2.0 kg.]
HM28-FN	27-1/2" [699 mm]	13-3/8" [340 mm]	Frosted Nickel**	1	4.7 lbs. [2.1 kg.]
HM34-FN	33-1/2" [851 mm]	16-3/8" [416 mm]	Frosted Nickel**	1	6.0 lbs. [2.7 kg.]

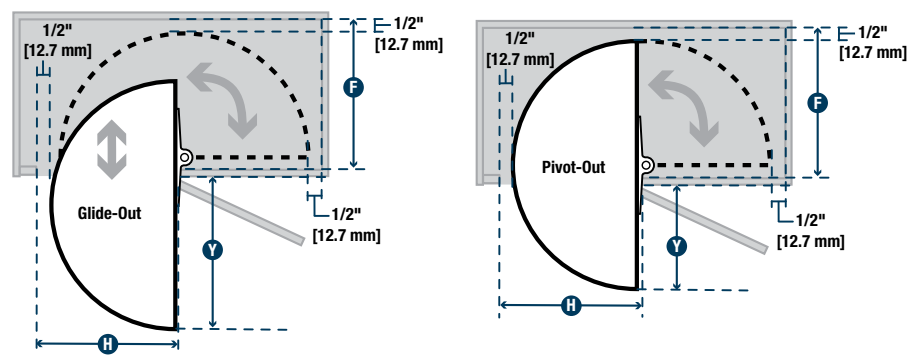
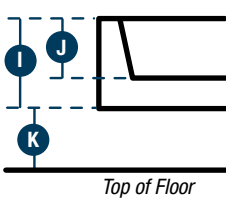
Stock #	Diameter		Finish	Units per Carton	Weight per Carton
	A	B			
GLIDE-OUT SHELF MOTION					
HM25G-W	24-13/16" [630 mm]	12-7/8" [327 mm]	White	1	9.9 lbs. [4.5 kg.]
HM28G-W	27-13/16" [706 mm]	14-1/4" [362 mm]	White	1	10.9 lbs. [4.9 kg.]
HM34G-W	33-13/16" [859 mm]	17-1/4" [438 mm]	White	1	11.7 lbs. [5.3 kg.]
HM25G-FN	24-13/16" [630 mm]	12-7/8" [327 mm]	Frosted Nickel**	1	9.9 lbs. [4.5 kg.]
HM28G-FN	27-13/16" [706 mm]	14-1/4" [362 mm]	Frosted Nickel**	1	10.9 lbs. [5 kg.]
HM34G-FN	33-13/16" [859 mm]	17-1/4" [438 mm]	Frosted Nickel**	1	11.7 lbs. [5.3 kg.]
HM28G-P	27-13/16" [706 mm]	14-1/4" [362 mm]	Platinum	1	10.9 lbs. [5 kg.]

Cabinet and Shelf Lip Dimensions

Stock #	F	H	I	J	K	Y	Mounting
WIRE Half-Moon Lazy Susans							
HM25-W	13-1/2" [343 mm]	12-3/8" [314 mm]	2" [51 mm]	1-3/4" [44 mm]	1-3/4" [44 mm]	10-7/8" [276 mm]	Side Bracket
HM28-W	14-15/16" [379 mm]	13-7/8" [352 mm]	2" [51 mm]	1-3/4" [44 mm]	1-3/4" [44 mm]	12-5/16" [313 mm]	Side Bracket
HM30-W	15-15/16" [405 mm]	14-3/4" [375 mm]	2" [51 mm]	1-3/4" [44 mm]	1-3/4" [44 mm]	13-5/16" [338 mm]	Side Bracket
HM34-W	17-15/16" [456 mm]	16-7/8" [429 mm]	2" [51 mm]	1-3/4" [44 mm]	1-3/4" [44 mm]	15-5/16" [389 mm]	Side Bracket
HM25-FN	13-1/2" [343 mm]	12-3/8" [314 mm]	2" [51 mm]	1-3/4" [44 mm]	1-3/4" [44 mm]	10-7/8" [276 mm]	Side Bracket
HM28-FN	14-15/16" [379 mm]	13-7/8" [352 mm]	2" [51 mm]	1-3/4" [44 mm]	1-3/4" [44 mm]	12-5/16" [313 mm]	Side Bracket
HM34-FN	17-15/16" [456 mm]	16-7/8" [429 mm]	2" [51 mm]	1-3/4" [44 mm]	1-3/4" [44 mm]	15-5/16" [389 mm]	Side Bracket
HM25G-W	13-5/8" [346 mm]	13-3/8" [340 mm]	2" [51 mm]	1-3/4" [44 mm]	2-1/2" [64 mm]	27-3/4" [705 mm]	Side Bracket
HM28G-W	15-1/8" [384 mm]	14-3/4" [375 mm]	2" [51 mm]	1-3/4" [44 mm]	2-1/2" [64 mm]	29-3/16" [741 mm]	Side Bracket
HM34G-W	18-1/8" [460 mm]	17-3/4" [451 mm]	2" [51 mm]	1-3/4" [44 mm]	2-1/2" [64 mm]	32-3/16" [818 mm]	Side Bracket
HM25G-FN	13-5/8" [346 mm]	13-3/8" [340 mm]	2" [51 mm]	1-3/4" [44 mm]	2-1/2" [64 mm]	27-3/4" [705 mm]	Side Bracket
HM28G-FN	15-1/8" [384 mm]	14-3/4" [375 mm]	2" [51 mm]	1-3/4" [44 mm]	2-1/2" [64 mm]	29-3/16" [741 mm]	Side Bracket
HM34G-FN	18-1/8" [460 mm]	17-3/4" [451 mm]	2" [51 mm]	1-3/4" [44 mm]	2-1/2" [64 mm]	32-3/16" [818 mm]	Side Bracket
HM28G-P	15-1/8" [384 mm]	13-3/8" [340 mm]	2" [51 mm]	1-3/4" [44 mm]	2-1/2" [64 mm]	29-3/16" [741 mm]	Side Bracket
POLYMER Half-Moon Lazy Susans							
PHM28PP-W	16-1/4" [413 mm]	13-3/4" [349 mm]	2-1/2" [64 mm]	1-1/2" [38 mm]	2" [51 mm]	11-1/2" [292 mm]	Side/Bottom
PHM28PG-W	16-1/4" [413 mm]	13-3/4" [349 mm]	2-1/2" [64 mm]	1-1/2" [38 mm]	2-11/16" [68 mm]	23-1/4" [591 mm]	Side/Bottom
PHM34PG-W	19-1/4" [489 mm]	16-3/4" [425 mm]	2-1/2" [64 mm]	1-1/2" [38 mm]	2-11/16" [68 mm]	26-1/4" [667 mm]	Side/Bottom
PHM40PG-W	22-1/4" [565 mm]	19-3/4" [502 mm]	2-1/2" [64 mm]	1-1/2" [38 mm]	2-11/16" [68 mm]	29-1/4" [743 mm]	Side/Bottom
PHM28GG-W	16-1/4" [413 mm]	13-3/4" [349 mm]	2-1/2" [64 mm]	1-1/2" [38 mm]	2-11/16" [68 mm]	23-1/4" [591 mm]	Side/Bottom
PHM34GG-W	19-1/4" [489 mm]	16-3/4" [425 mm]	2-1/2" [64 mm]	1-1/2" [38 mm]	2-11/16" [68 mm]	26-1/4" [677 mm]	Side/Bottom
PHM40GG-W	22-1/4" [565 mm]	19-3/4" [502 mm]	2-1/2" [64 mm]	1-1/2" [38 mm]	2-11/16" [68 mm]	29-1/4" [743 mm]	Side/Bottom

- F** = Min. Cabinet Depth
- H** = Min. Cabinet Opening

WIRE & POLYMER Shelf Lip

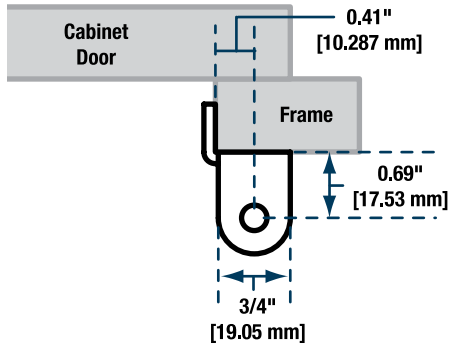


Dimensions shown are recommended minimum cabinet dimensions and clearances.

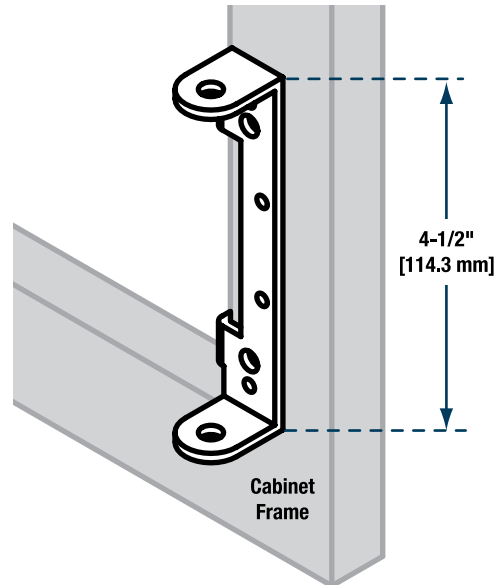
Lazy Susan Post Diagrams

WIRE HALF MOON HINGE BRACKETS

Top View - For all Wire Half Moon Susans

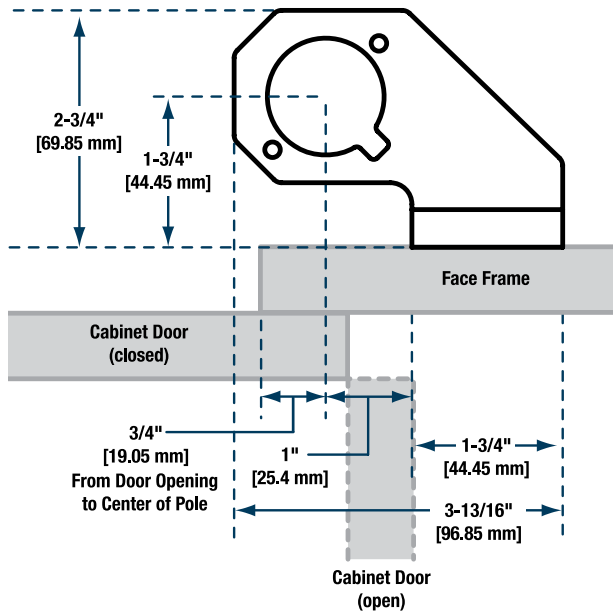


Side View - For all Wire Half Moon Susans



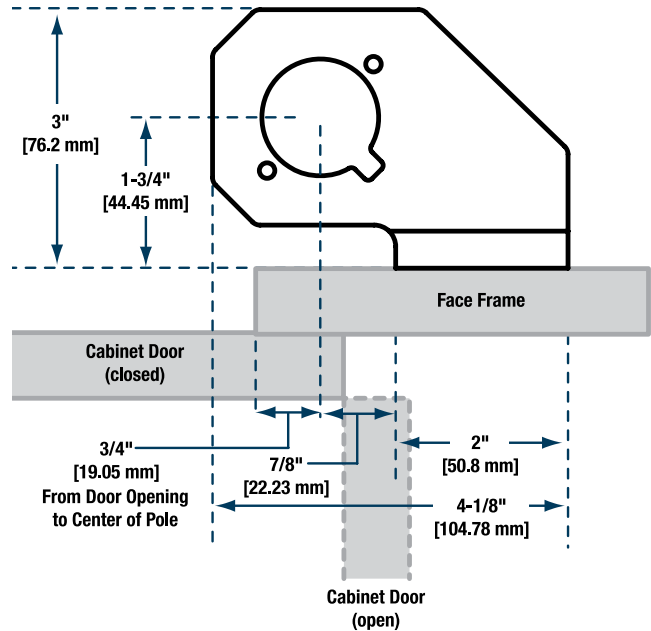
POLYMER HALF MOON HINGE BRACKETS

For PHM28 and PHM34 Part Numbers



NOTE: For frameless cabinet applications, move bracket $1-1/4''$ [31.75 mm] toward cabinet opening.

For PHM40 Part Numbers



NOTE: For frameless cabinet applications, move bracket $1-1/4''$ [31.75 mm] toward cabinet opening.