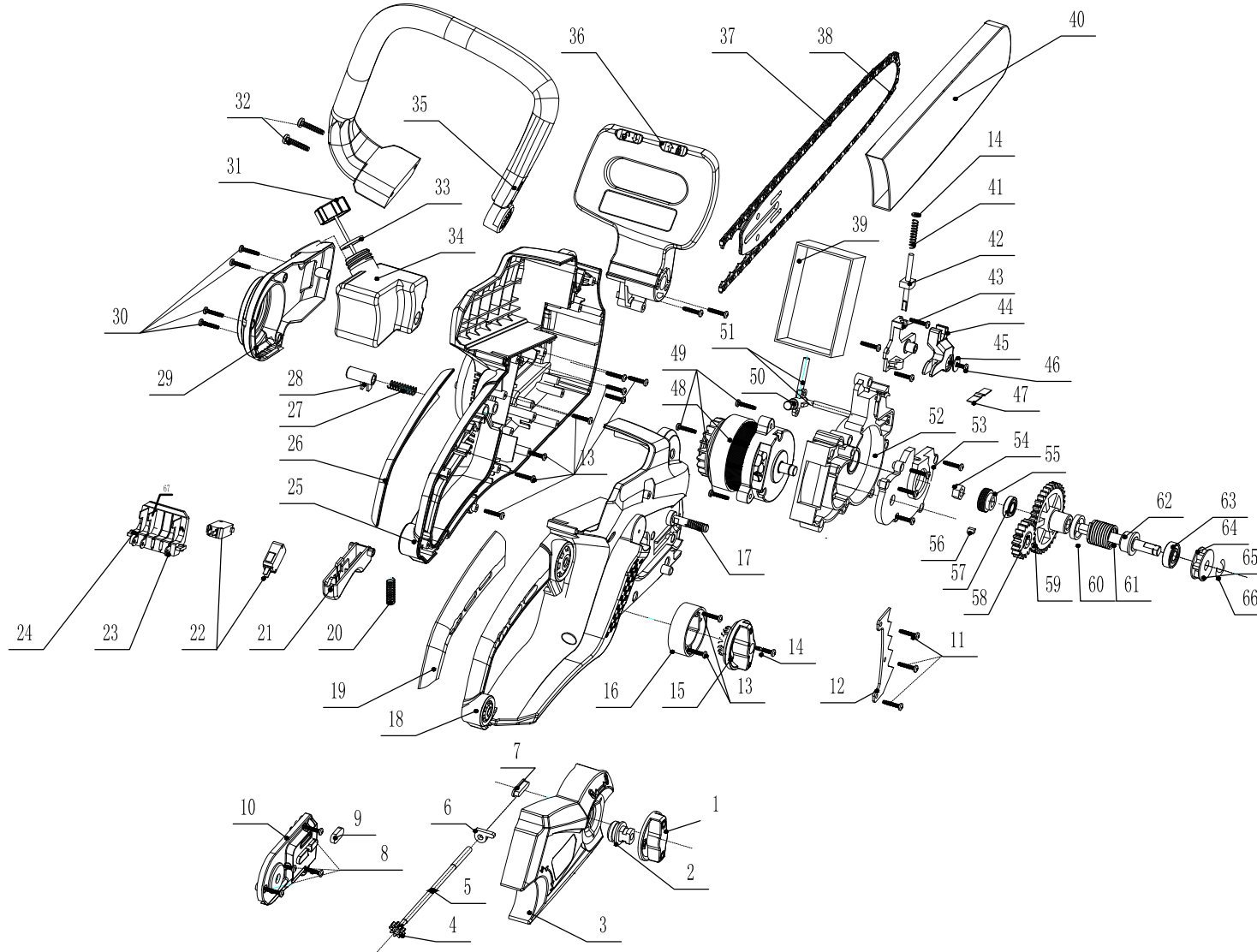


106493: ASSY, 120V 18IN TL CHAINSAW KIT, REDBACK



MATERIAL SUBSTITUTIONS ARE ALLOWED PER EQUIVALENTS AS SPECIFIED IN THE ASM INTERNATIONAL, WORLDWIDE GUIDE TO EQUIVALENT IRONS AND STEELS

PROPRIETARY AND CONFIDENTIAL
THE INFORMATION CONTAINED IN THIS DRAWING IS THE SOLE PROPERTY OF FRICTIONLESS WORLD, LLC. ANY REPRODUCTION IN PART OR AS A WHOLE WITHOUT THE WRITTEN PERMISSION OF FRICTIONLESS WORLD, LLC. IS PROHIBITED.

UNLESS OTHERWISE SPECIFIED DIMENSIONS ARE IN MM
TOLERANCES:
X ± 2.5
X.X ± 0.5
X.XX ± 0.25
BREAK ALL SHARP EDGES

| | | | |
|-----------|----|------|----|
| ENG APPR: | -- | DATE | -- |
| DRAWN BY: | -- | DATE | -- |

| | |
|----------|----|
| WEIGHT: | -- |
| FINISH | -- |
| MATERIAL | -- |



TITLE:
ASSY, 120V 18IN TL CHAINSAW KIT, REDBACK

| | | |
|------|--------------|-----|
| SIZE | PART NUMBER: | REV |
| A | 106493 | A |

| | | |
|------------|-----------------|--------------|
| SCALE: NTS | INITIAL ECN: -- | SHEET 1 OF 2 |
|------------|-----------------|--------------|

REV A
PART NUMBER:
106493

106493: ASSY, 120V 18IN TL CHAINSAW KIT, REDBACK

| | Part No. | Description | Qty. |
|----|-------------|----------------------|------|
| 1 | 20040080046 | Tension nut | 1 |
| 2 | 70030580000 | Tension shaft | 1 |
| 3 | 20670020000 | Upper cover | 1 |
| 4 | 70670200000 | Tension gear | 1 |
| 5 | 70220040000 | Tension bar | 1 |
| 6 | 70220050000 | Tension rod | 1 |
| 7 | 21110020000 | Seal washer | 1 |
| 8 | 60170680000 | Self tapping screw | 6 |
| 9 | 60370160000 | Linear Seal washer | 1 |
| 10 | 70080190000 | Output shaft | 1 |
| 11 | 60170190000 | Self tapping screw | 3 |
| 12 | 70670210000 | Bumper spike | 1 |
| 13 | 60170670000 | Self tapping screw | 30 |
| 14 | 60070120000 | Self tapping screw | 1 |
| 15 | 20040090046 | Tension knob | 1 |
| 16 | 20040100046 | Tension knob bracket | 1 |
| 17 | 70220030000 | Stator | 1 |
| 18 | 21060090000 | Right housing | 1 |
| 19 | 21060100530 | Soft rubber | 1 |
| 20 | 60380370000 | Switch spring | 1 |
| 21 | 20470020046 | Switch board | 1 |
| 22 | 30080030000 | Switch | 2 |
| 23 | 70630150000 | Connection clip | 2 |
| 24 | 20800140000 | Plug in board | 1 |
| 25 | 21060070000 | Left housing | 1 |
| 26 | 21060080530 | Soft rubber | 1 |
| 27 | 60380380000 | Self-lock spring | 1 |
| 28 | 20530070046 | Self-lock button | 1 |
| 29 | 20670050000 | Rear cover | 1 |
| 30 | 60170730000 | Screw | 4 |
| 31 | 25170060046 | Oil tank cover | 1 |
| 32 | 60170740000 | Tapping screw | 2 |
| 33 | 60370150000 | O-ring | 1 |

| | | | |
|----|-------------|--------------------|---|
| 34 | 25180150000 | Oil tank assembly | 1 |
| 35 | 20260100530 | Auxiliary handle | 1 |
| 36 | 20030050530 | Brake guard | 1 |
| 37 | 30080210000 | Chain | 1 |
| 38 | 30080200000 | Bar | 1 |
| 39 | 30070540000 | Control shaft | 1 |
| 40 | 20960070000 | Scabbard | 1 |
| 41 | 60380360000 | Pressure Spring | 1 |
| 42 | 20030040000 | Slider | 1 |
| 43 | 70050190000 | Brake board | 1 |
| 44 | 20140040000 | Rotation bracket | 1 |
| 45 | 60190290000 | Flat washer | 1 |
| 46 | 60070170000 | Screw | 1 |
| 47 | 70050200000 | Brake clip | 1 |
| 48 | 30070530000 | Motor assy. | 1 |
| 49 | 60170710000 | Self tapping screw | 3 |
| 50 | 30080040000 | Oil pump | 1 |
| 51 | 30080060000 | Oil tube | 1 |
| 52 | 20140020000 | Bracket | 1 |
| 53 | 20140030000 | Bracket cover | 1 |
| 54 | 30080050000 | Oil pump gear | 1 |
| 55 | 60150090000 | Self-lock nut | 1 |
| 56 | 60350130000 | Flat key | 1 |
| 57 | 60010320000 | Bearing | 1 |
| 58 | 70670180000 | Motor gear | 1 |
| 59 | 70670190000 | Chain wheel | 1 |
| 60 | 70630140000 | Bushing | 1 |
| 61 | 60390100000 | Torsion spring | 1 |
| 62 | 70030560000 | Output shaft | 1 |
| 63 | 60010210000 | Bearing | 1 |
| 64 | 70670220000 | Chain wheel | 1 |
| 65 | 70040120000 | Check ring | 1 |
| 66 | 60240050000 | Spring washer | 2 |
| 67 | 30010550000 | Insert plate | 1 |

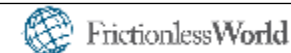
MATERIAL SUBSTITUTIONS ARE ALLOWED PER EQUIVALENTS AS SPECIFIED IN THE ASM INTERNATIONAL, WORLDWIDE GUIDE TO EQUIVALENT IRONS AND STEELS

PROPRIETARY AND CONFIDENTIAL
THE INFORMATION CONTAINED IN THIS DRAWING IS THE SOLE PROPERTY OF FRICTIONLESS WORLD, LLC. ANY REPRODUCTION IN PART OR AS A WHOLE WITHOUT THE WRITTEN PERMISSION OF FRICTIONLESS WORLD, LLC. IS PROHIBITED.

UNLESS OTHERWISE SPECIFIED DIMENSIONS ARE IN MM
TOLERANCES:
X ± 2.5
X.X ± 0.5
X.XX ± 0.25
BREAK ALL SHARP EDGES

ENG APPR: -- DATE --
DRAWN BY: -- DATE --

WEIGHT: --
FINISH --
MATERIAL --



TITLE: ASSY, 120V 18IN TL CHAINSAW KIT, REDBACK
SIZE: A PART NUMBER: 106493 REV: A
SCALE: NTS INITIAL ECN: -- SHEET 2 OF 2