

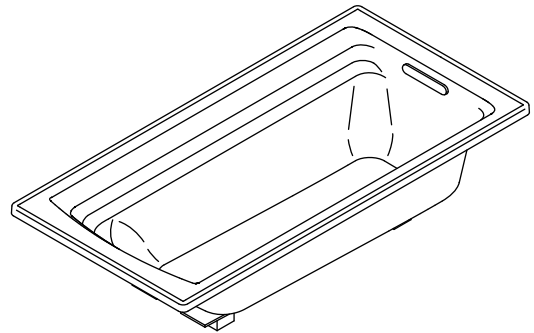
Features

- Acrylic
- Slotted overflow for maximum bathing depth
- Low threshold height
- Integral lumbar support
- Armrests
- 72" (1829 mm) x 36" (914 mm) x 19" (483 mm)

Codes/Standards Applicable

Specified model meets or exceeds the following:

- ADA
- CSA B45.5/IAPMO Z124
- ICC/ANSI A117.1
- ASTM E162
- ASTM E662



Colors/Finishes

- 0: White
- Other: Refer to Price Book for additional colors/finishes

Accessories:

- 0: White
- CP: Polished Chrome
- Other: Refer to Price Book for additional colors/finishes

Specified Model

Model	Description	Colors/Finishes	
K-1125	Drop-in bath	<input type="checkbox"/> 0	<input type="checkbox"/> Other_____
Required Accessories			
K-7271	Clearflo slotted overflow brass bath drain OR	<input type="checkbox"/> CP	<input type="checkbox"/> Other_____
K-7272	Clearflo slotted overflow bath drain – PVC pipe	<input type="checkbox"/> CP	<input type="checkbox"/> Other_____
Optional Accessories			
K-9529	Removable bath seat	<input type="checkbox"/> 0	

Product Specification:

The acrylic drop-in bath shall be 72" (1829 mm) in length, 36" (914 mm) in width, and 19" (483 mm) in height. Bath shall have slotted overflow for maximum bathing depth, low threshold height, and integral lumbar support. Bath shall have armrests. Bath shall be Kohler Model K-1125-_____.

ARCHER™

Technical Information

Fixture*:	
Bathing well	
Basin area	51-3/8" (1304 mm) x 21" (533 mm)
Top area	64-1/2" (1638 mm) x 30-1/2" (775 mm)
Weight	70 lbs (31.7 kg)
To overflow	
Water depth	15" (381 mm)
Capacity	72 gal (273 L)
* Approximate measurements for comparison only.	
Drop-in cut-out	70-1/2" (1791 mm) x 34-1/2" (877 mm)

Installation Notes

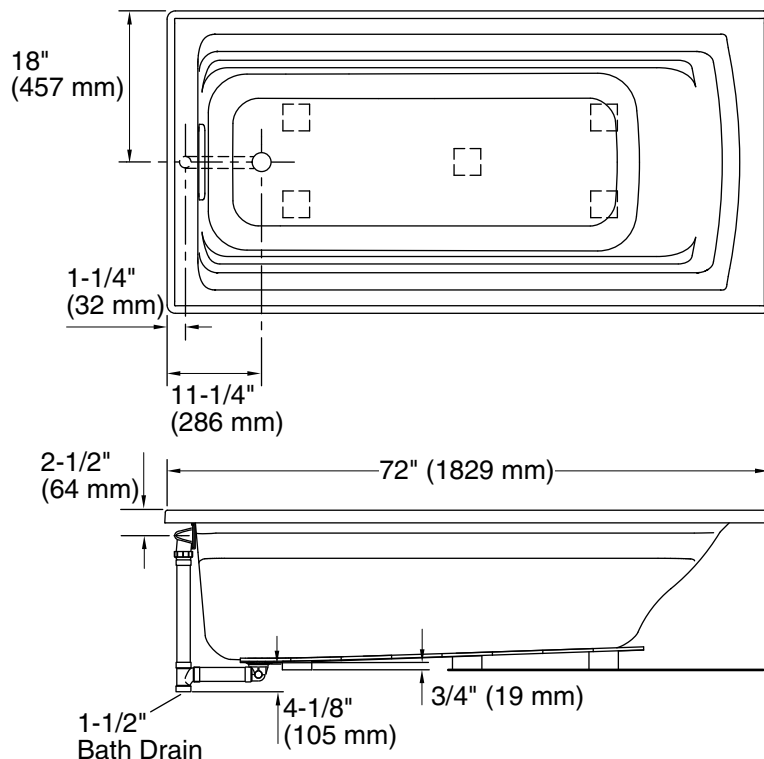
Install this product according to the installation guide.

Floor support under this product must provide for a minimum of 39 lbs/square foot (189 kg/square meter) loading.

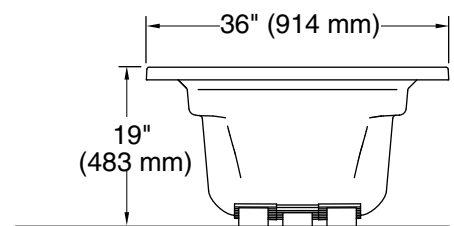
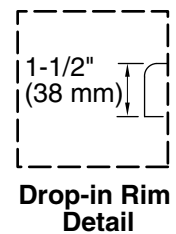
The hot water supply should be 70% of the capacity of the bath or greater. Installations will vary.

This bath is designed for drop-in installation only. It is not suited for use in a three wall alcove with an overhead shower.

Will comply with **ADA** when installed per Section 607 Bathtubs of the Act.



No change in measurements if connected with drain illustrated. (K-7272)



Product Diagram