

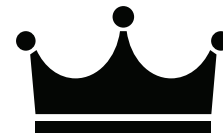
# Specifications

## Disposal Description

- EZ Mount twist-and-lock sink flange for fast and easy installation
- 1 HP permanent magnet motor delivers 2800 rpms of grinding power and reduces jams
- Lined with insulation to reduce sound
- Pre-installed power cord for easy plug-in install, no hardwiring or separate purchase required
- Stainless steel grinding components
- Reinforced polymer grind chamber resists corrosion and extends disposal life
- Continuous feed disposal activates via a wall switch or sink-mounted air switch
- Compact, lightweight design saves space
- Removable, replaceable splash guard
- Safe to use with properly sized septic tanks
- Front-mounted reset button

## Included Components

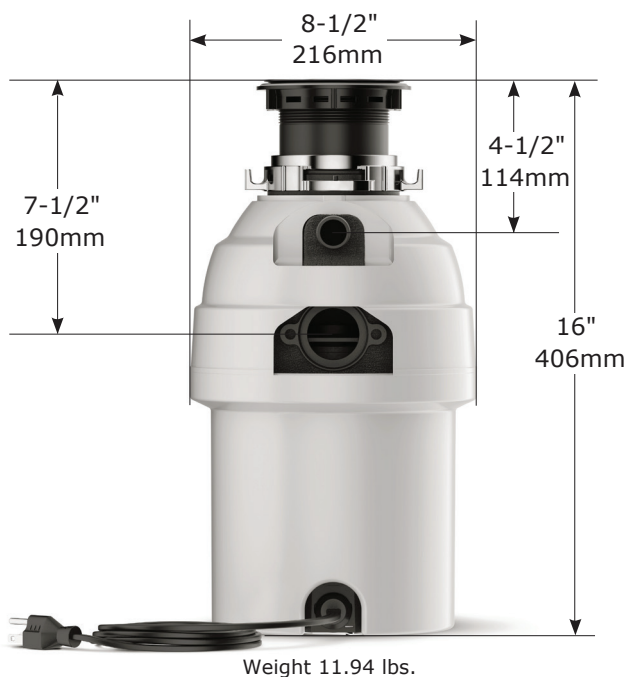
- Waste King L-8000 EZ Mount Disposal Unit
- Pre-installed power cord
- Removable splash guard
- Celcon sink flange and drain stopper
- Drain elbow and EZ-Mount mounting assembly



## WASTE KING Model L-8000



### Critical Dimensions



### Twenty Year Limited Warranty

If the disposal develops a material or mechanical defect during the warranty period, Waste King will replace it free of charge.

### Specification Detail

Specification Detail	
Motor Horsepower	1 H.P.
R.P.M.	2800
Mount	EZ Mount
Sound Insulation	Yes
Warranty	Twenty Year Limited
Voltage,HZ	115, 60
Current-Amps	7.0
Power Cord	Pre-Installed
Motor Type	Permanent Magnet
On/Off Control	Wall Switch
Drain Connection Size	1-1/2 inch drainpipe
Dishwasher Compatibility	7/8 inch rubber dishwasher drain hose
Maximum Sink Thickness	1/2 inch
Sink Flange Material	Celcon
Sink Flange Finish	Stainless Steel
Splash Guard	Removable
Feed	Continuous
Internal Grind Component Material	Stainless Steel
Grind Chamber Material	Reinforced Polymer
Overload Protector	Manual Reset Type

FOR MORE INFORMATION CALL: **1-800-854-3229**  
**WasteKing.com**