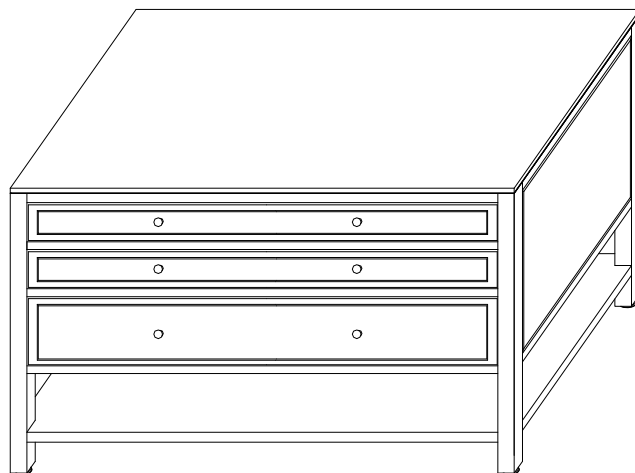


# HOME DECORATORS *collection*

BF-24671 MSL FLAT-FILE CABINET W/SHELF 36"Hx42"W


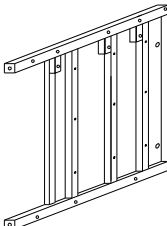
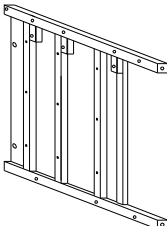

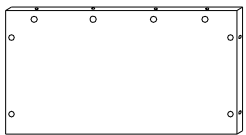


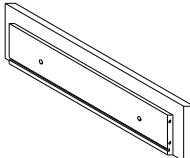
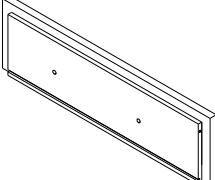
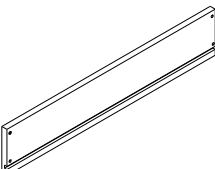
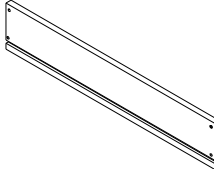
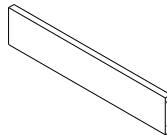
## ASSEMBLY INSTRUCTIONS

Made In China

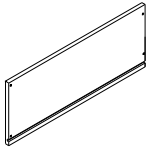


Thank you for purchasing this quality product. Be sure to check all packing material carefully for small parts, which may have come loose inside the carton during shipment. Count all parts and material hardware, Compare with parts list to be sure all parts are present. If any parts are missing or damaged, phone, fax, or mail to our Customer Service Department. For efficient and speedy service please indicate the model number and code letter of part(s) need

**IMPORTANT NOTE:** Follow instructions listed below in proper sequence as numbered to assure fast, easy and correct assembly.

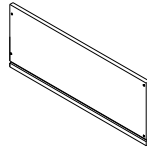
<b>PARTS LIST</b>		
<b>A</b>  TOP PANEL-1PC	<b>B</b>  LEFT SIDE PANEL-1PC	<b>C</b>  RIGHT SIDE PANEL-1PC
<b>D</b>  SHELF PANEL-1PC	<b>E</b>  BACK PANEL-1PC	<b>F</b>  ADORNING PANEL-1PC
<b>G</b>  ACROSS PANELS-3PCS	<b>H</b>  SMALL DRAWER PANEL FTONTS-2PCS	<b>I</b>  LARGE DRAWER PANEL FTONT-1PC
<b>J</b>  SMALL LEFT DRAWER SIDE PANELS-2PCS	<b>K</b>  SMALL RIGHT DRAWER SIDE PANELS-2PCS	<b>L</b>  SMALL DRAWER BACK PANELS-2PCS

**M**



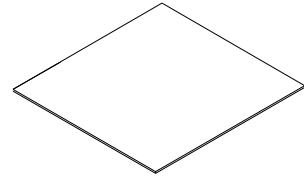
LARGE LEFT  
DRAWER SIDE PANEL-1PC

**N**



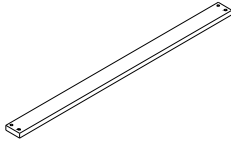
LARGE RIGHT  
DRAWER SIDE PANEL-1PC

**O**



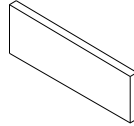
DRAWER  
BOTTOM PANELS-3PCS

**P**



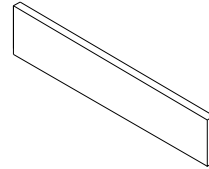
DRAWER  
SUPPORT PANELS-6PCS

**Q**



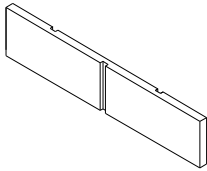
SMALL DRAWER  
SHORT ACROSS PANELS-4PCS

**R**



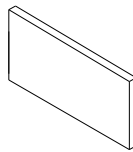
SMALL DRAWER  
LONG ACROSS PANELS-2PCS

**S**



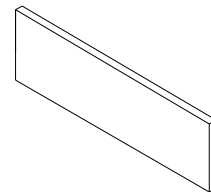
SMALL  
DRAWER STAND PANELS-2PCS

**T**



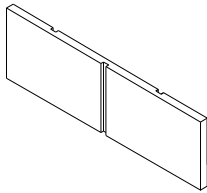
LARGE DRAWER  
SHORT ACROSS PANELS-4PCS

**U**



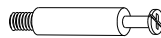
LARGE DRAWER  
LONG ACROSS PANELS-2PCS

**V**



LARGE  
DRAWER STAND PANELS-2PCS

**W**



CAM-BOLTS-26PCS

**X**



CAM-LOCKS-26PCS

**Y**



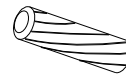
CAM-TOOL-1PC

**Z**



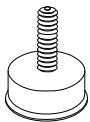
KNOBS-6PCS

**A1**



DOWELS-6PCS

**B1**



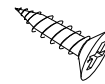
FEET-4PCS

**C1**



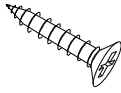
SCREWS-3PCS

**D1**



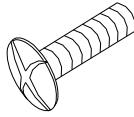
SCREWS-42PCS

**E1**



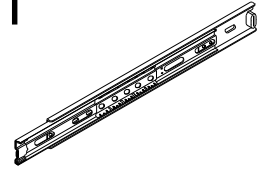
SCREWS-48PCS

**F1**



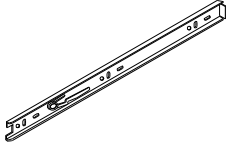
SCREWS-6PCS

**G1**



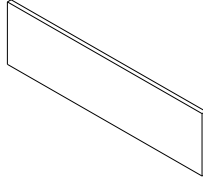
OUTER SLIDERS-6PCS

**H1**



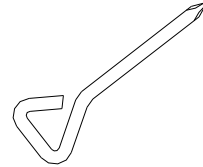
INNER SLIDES-6PCS

**I1**



LARGE  
DRAWER BACK PANEL -1PC

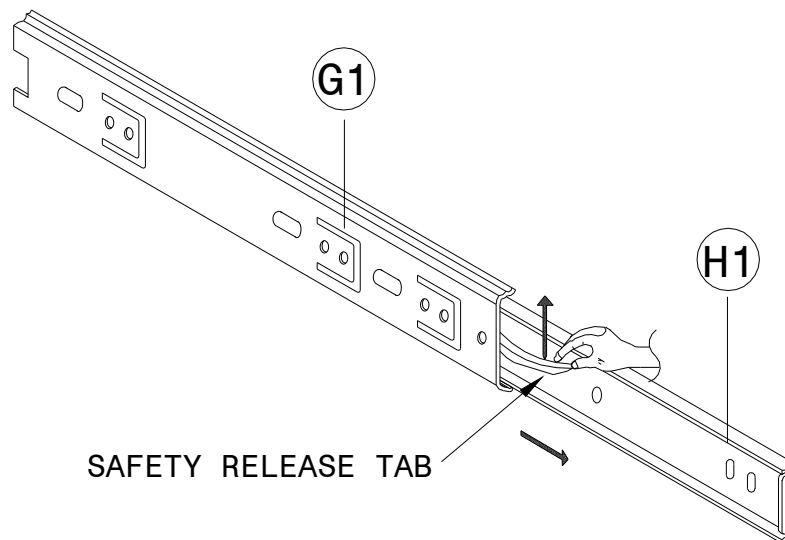
**J1**



WRENCH-1PC

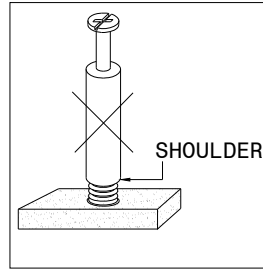
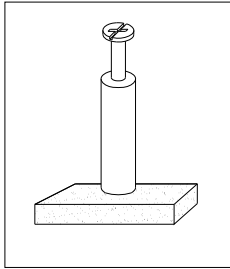
**NOTE:THE SURFACE WITH THE STICKER IS THE BACK SIDE.**

## HOW TO SEPARATE GLIDES



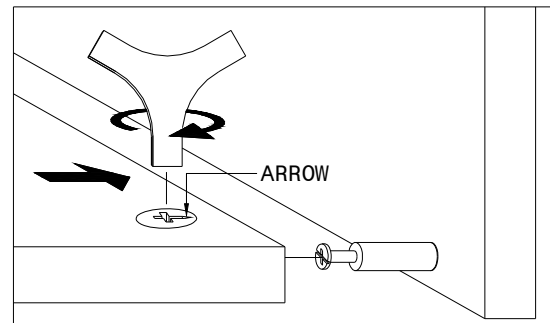
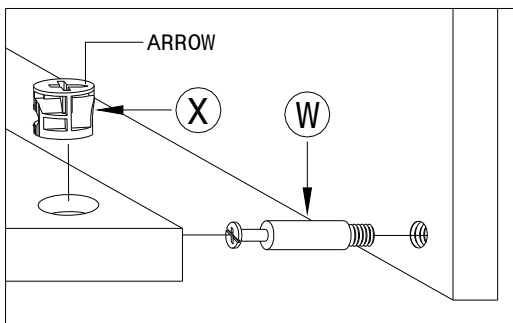
PRIOR TO ASSEMBLY,WE SUGGEST SEPARATING THE INNER GLIDES FROM THE OUTER-GLIDES,  
SIMPLY PULL THE LEFT/RIGHT INNER GLIDES FROM THE OUTER GLIDES EXPOSING A SMALL  
BLACK SAFELY RELEASE TAB ,BY PUSHING THE SAFETY RELEASE TAB.YOU WILL BE ABLE TO  
SEPARATE THE GLIDE

NOTE: ● UPON OPENING THOROUGHLY CLEAN ALL WOODS SURFACES TO REMOVE DUST AND DIRT THAT MAY HAVE SETTLED ONTO FINISH DURING SHIPMENT. IN ORDER TO PREVENT DAMAGE DURING ASSEMBLY, PLEASE ASSEMBLE THIS ITEM WITH AT LEAST TWO PEOPLE.

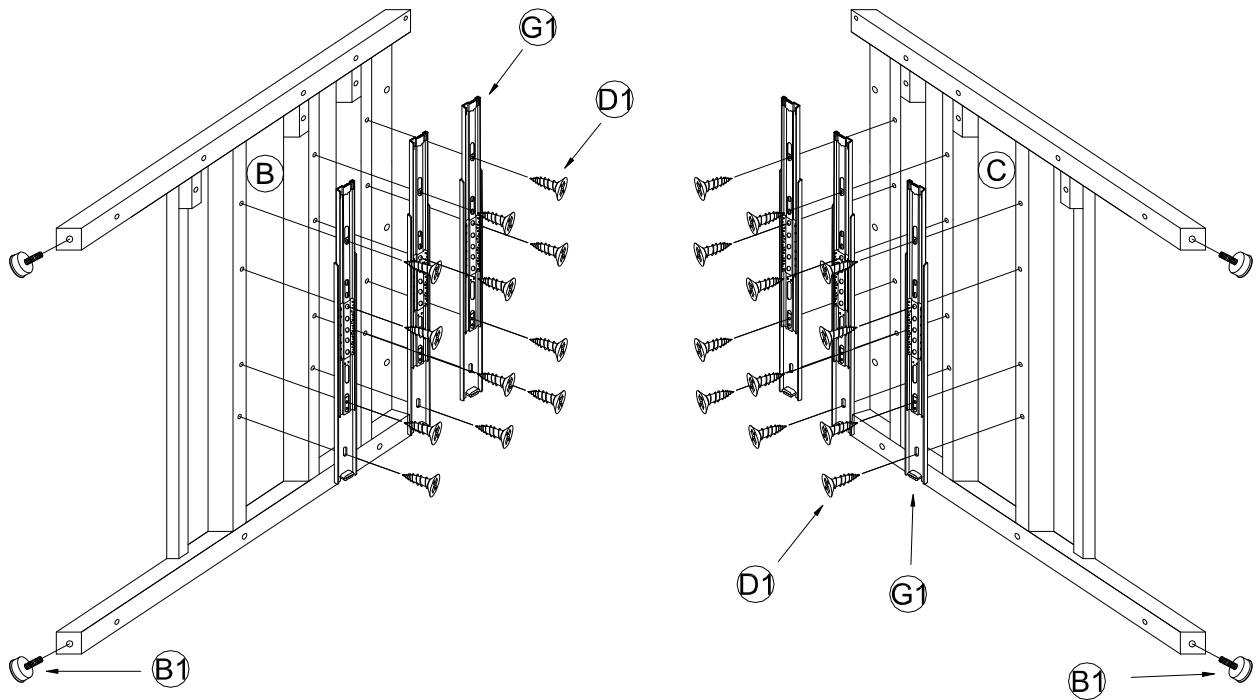


NOTE: TURN THE CAM-BOLT SCREWS UNTIL THEY ARE TIGHT, THE SHOULDER SHOULD BE AGAINST THE SURFACE OF THE PART.

## HOW TO USE THE CAM-TOOL

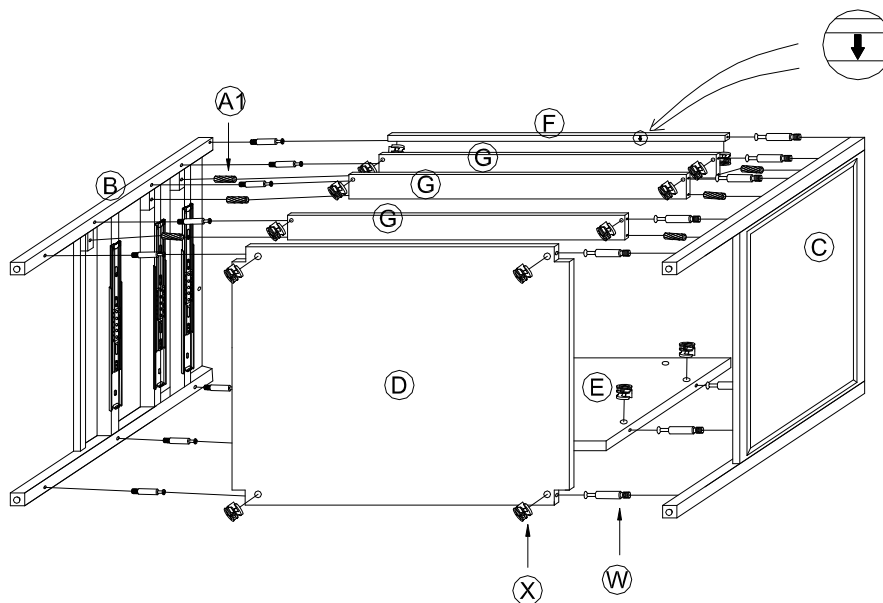


NOTE: ● THE ARROWS ON THE HIDDEN CAM-LOCKS SHOULD POINT TO THE CAM-BOLTS



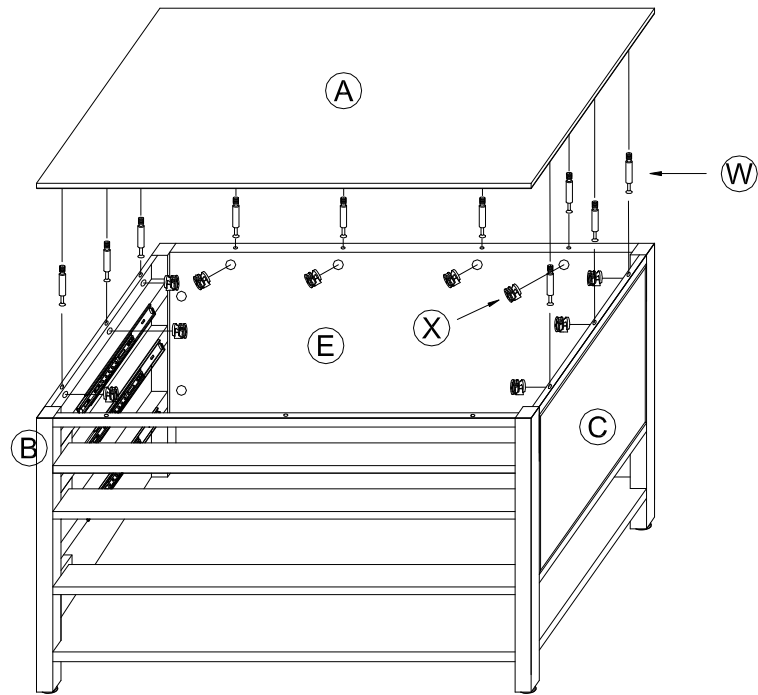
**1) . ASSEMBLE THE OUTER SLIDER(G1) AND FEET(B1) .**

- ATTACH OUTER SLIDERS(G1) TO SIDE PANELS(B/C) USING 24 SCREWS(D1) .
- ROTATE THE 4 FEET(B1) INTO HOLES IN SIDE PANELS(B/C) .



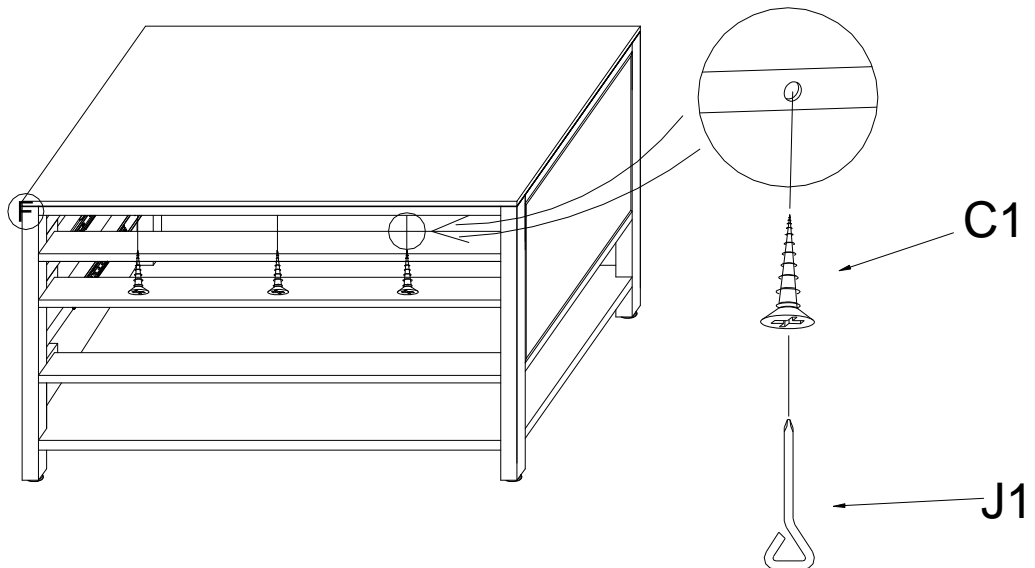
**2) . ASSEMBLE THE SIDE PANEL(B/C) .**

- ROTATE THE 16 CAM-BOLTS(W) AND INSERT THE 6 DOWELS(A1) INTO HOLES IN SIDE PANELS (B/C) .
- PLACE THE CAM-BOLTS(W) INTO HOLES IN ADORNING/ACROSS/BACK/SHELF PANEL (F/G/D/E) AND ATTACH USING 16 CAM-LOCKS(X) .



### 3) . ASSEMBLE THE TOP PANEL (A) .

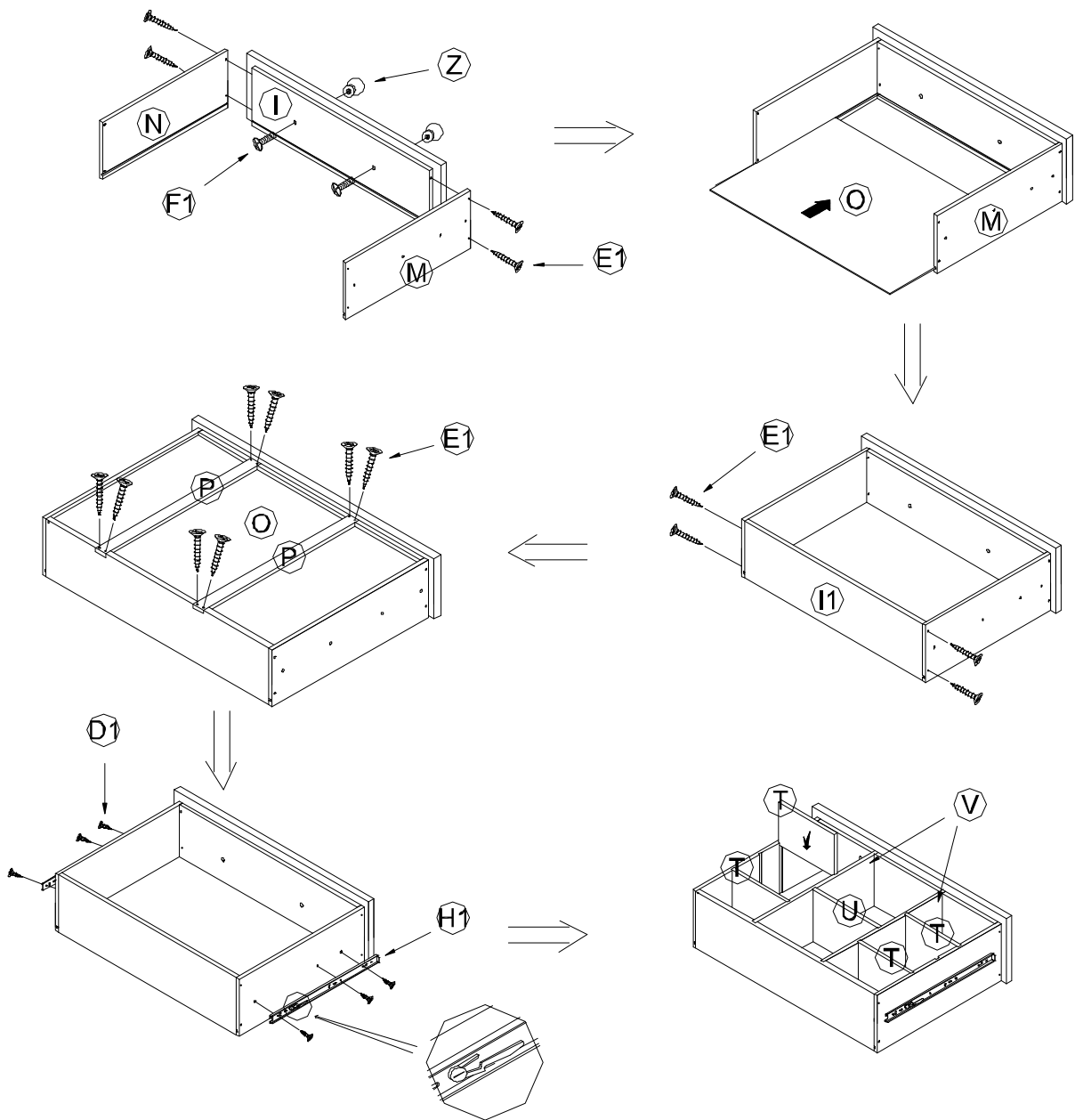
- ROTATE THE 10 CAM-BOLTS(W) INTO HOLES IN TOP PANEL (A) .
- PLACE THE CAM-BOLTS(W) INTO HOLES IN SIDE/BACK PANEL (B/C/E) AND USING 10 CAM-LOCKS(X) .



### 4) . ASSEMBLE THE SCREWS (C1) .

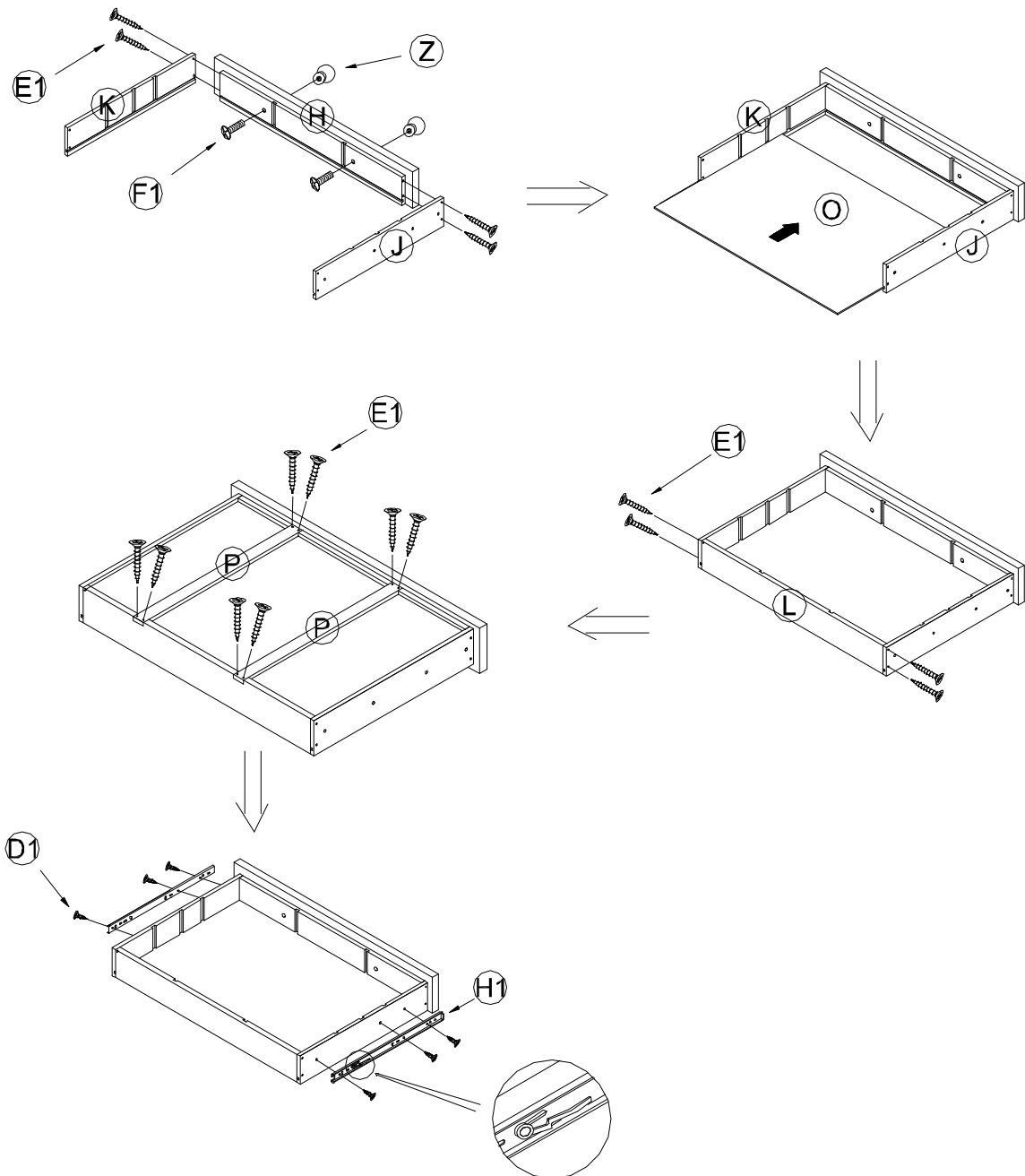
- ROTATE THE 3 SCREWS (C1) INTO HOLES IN ADORNING PANEL (F) .





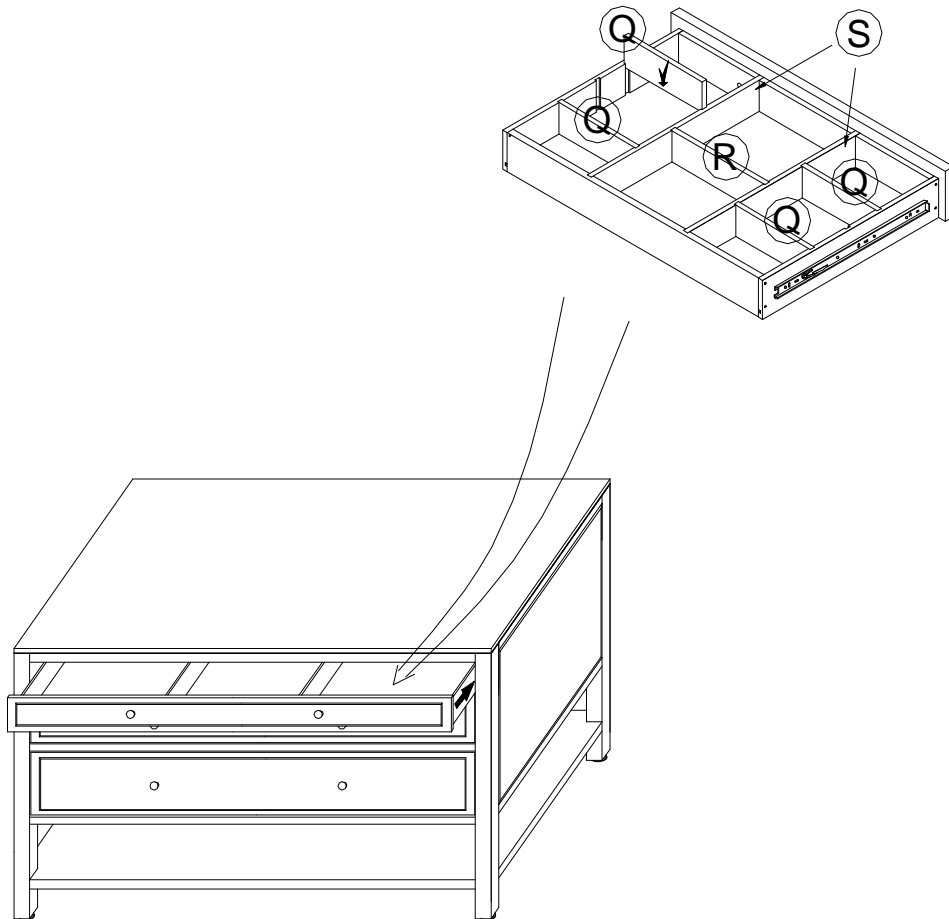
### 5) . ASSEMBLE THE LARGE DRAWER.

- ATTACH LARGE DRAWER PANEL SIDES(M/N) USING 4 SCREWS(E1).
- ATTACH THE 2 KNOBS(Z) TO LARGE DRAWER PANEL FRONT(I) USING 2 SCREWS(F1).
- INSERT THE DRAWER BOTTOM PANEL(O) INTO SLOTS IN LARGE DRAWER PANEL SIDES(M/N).
- ATTACH LARGE DRAWER PANEL BACK(I1) TO BETWEEN LARGE SIDE DRAWER PANELS(M/N) USING 4 SCREWS(E1).
- ATTACH 2 DRAWER SUPPORT PANELS(P) TO BOTTOM DRAWER(O) USING 8 SCREWS(E1).
- ATTACH THE 2 INNER SLIDES(H1) TO LARGE DRAWER PANEL SIDES(M/N) USING 6 SCREWS(D1).
- INSERT THE PANELS(T/U/V) IN THE LARGE DRAWER.



## 6) . ASSEMBLE THE SMALL DRAWERS.

- ATTACH SMALL DRAWER PANEL SIDES(J/K) USING 4 SCREWS(E1).
- ATTACH THE 2 KNOBS(Z) TO SMALL DRAWER PANEL FRONT(H) USING 2 SCREWS(F1).
- INSERT THE SMALL DRAWER BOTTOM PANEL(O) INTO SLOTS IN SMALL DRAWER PANEL SIDES (K/L).
- ATTACH SMALL DRAWER PANEL BACK(L) TO BETWEEN SMALL SIDE DRAWER PANELS(J/K) USING 4 SCREWS(E1).
- ATTACH 2 DRAWER SUPPORT PANELS(P) TO BOTTOM DRAWER(O) USING 8 SCREWS(E1).
- ATTACH THE 2 INNER SLIDES(H1) TO SMALL DRAWER PANEL SIDES(J/K) USING 6 SCREWS(D1).



7) . ASSEMBLE THE DRAWER.

- INSERT 3 DRAWERS INTO THE SLIDERS.
- INSERT THE PANELS(Q/R/S) IN THE TOP SMALL DRAWER.