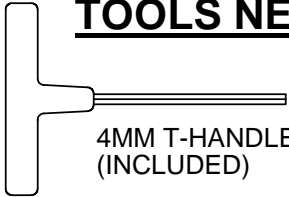


## Assembly Instructions

Model: IVA22

- (1) Seat
- (1) Back
- (2) Front legs
- (2) Arms
- (1) Hardware pack

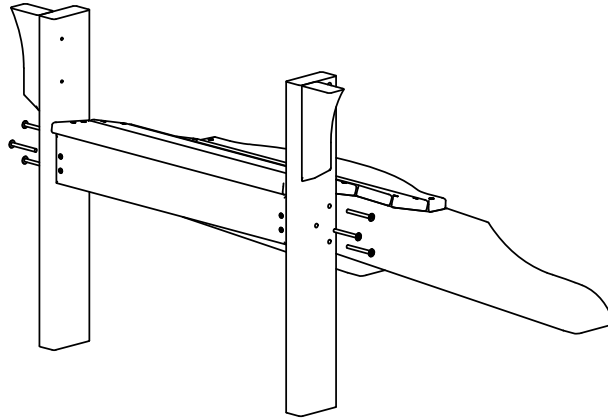
### TOOLS NEEDED



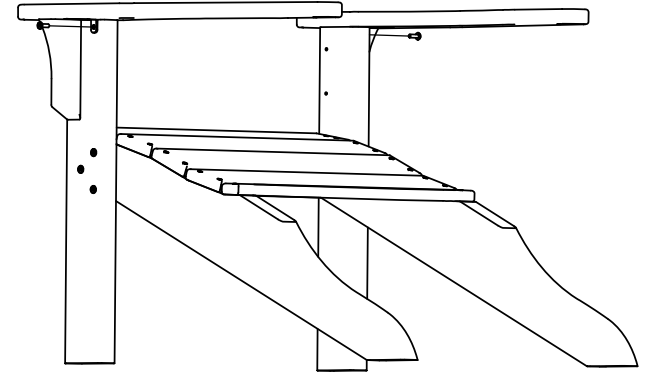
4MM T-HANDLE HEX KEY  
(INCLUDED)

Phillips head screwdriver  
Screw gun recommended

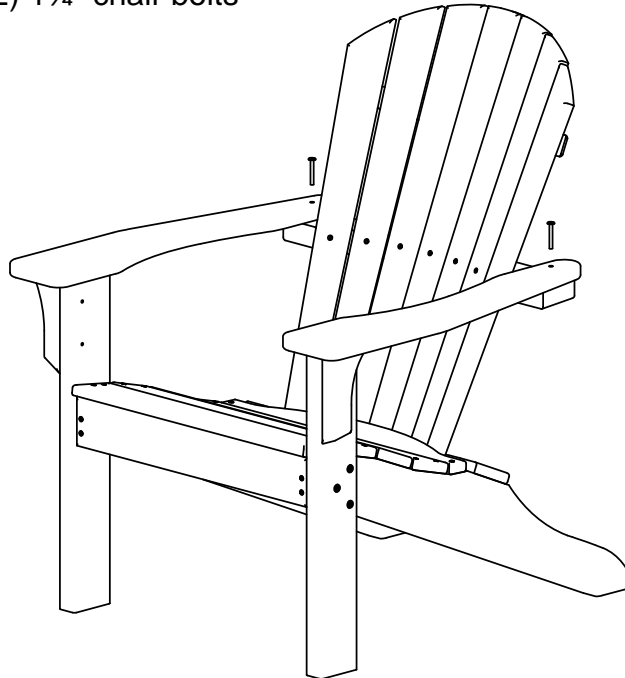
**Step 1**  
Attach front legs to seat using  
(6) 2 1/4" chair bolts



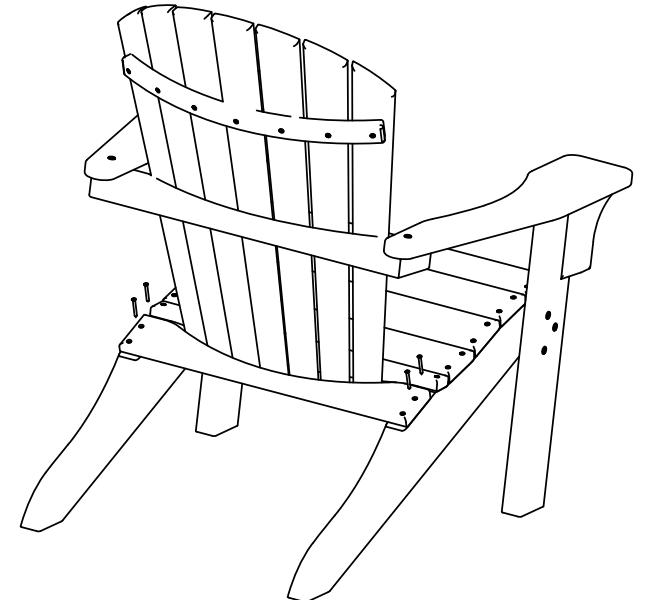
**Step 2**  
Attach arms to front legs using  
(2) 3/4" chair bolts



**Step 3**  
Attach arms to back using  
(2) 1 3/4" chair bolts



**Step 4**  
Attach back to seat using  
(4) 1 1/2" screws



Qty.	Description
4	A - 8 X 1-1/2 PHIL FLAT SCREW
2	B - 1/4-20 X 3/4 WAFER SHCS
2	C - 1/4-20 X 1-3/4 WAFER SHCS
6	D - 1/4-20 X 2-1/4 WAFER SHCS