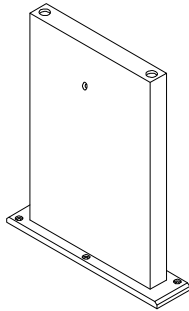
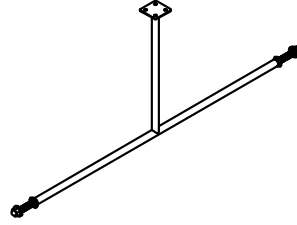


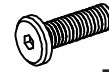
A: Top x1



B: Leg x2



C: Metal bar x1



D: Bolt M6\*30mm x16

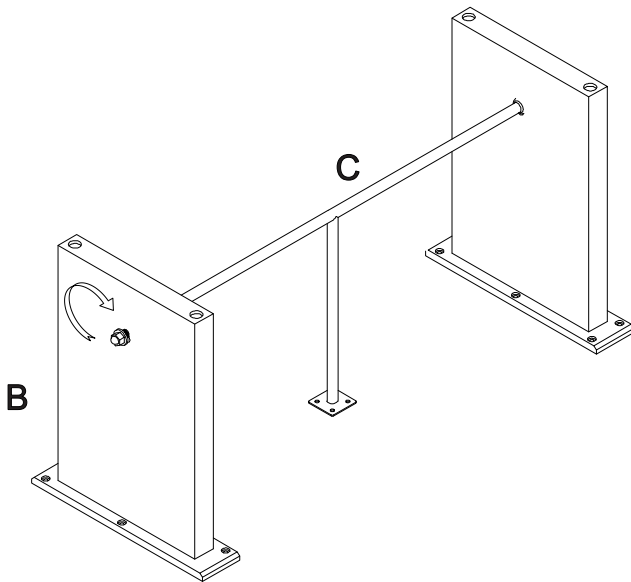


E: Washer x16

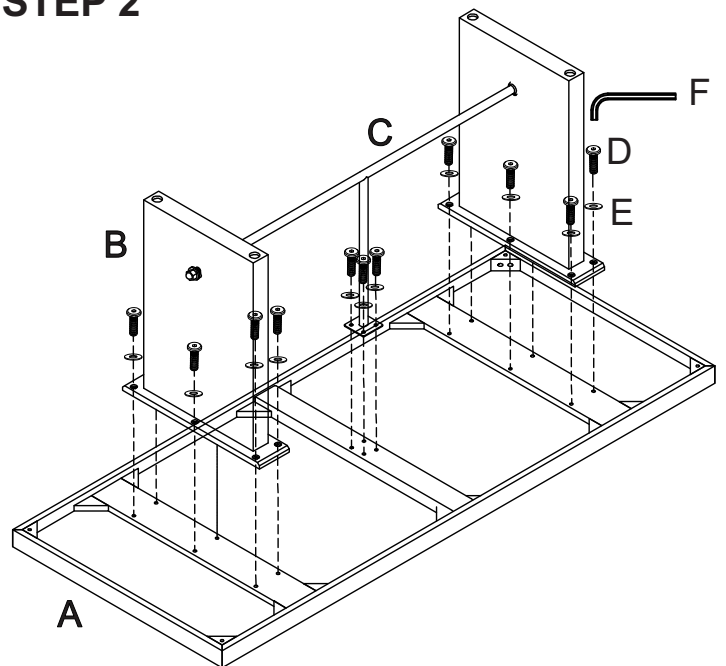


F: Allen wrench x1

### STEP 1



### STEP 2



### STEP 3

