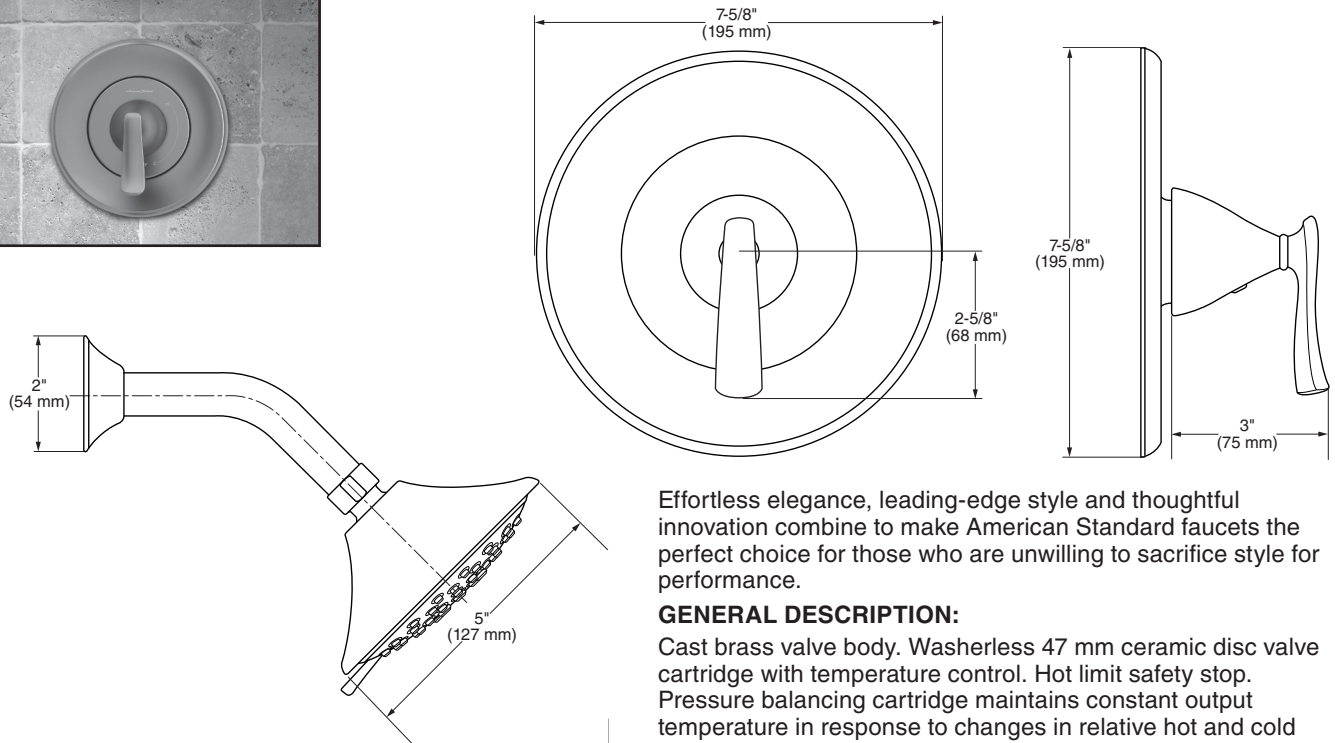


1 HANDLE SHOWER ONLY WITH 3-FUNCTION SHOWERHEAD



MODEL NUMBER:

- 7413501.002 Chrome finish.
- 7413501.295 Brushed Nickel finish.
- 7413501.278 Legacy Bronze finish.



Effortless elegance, leading-edge style and thoughtful innovation combine to make American Standard faucets the perfect choice for those who are unwilling to sacrifice style for performance.

GENERAL DESCRIPTION:

Cast brass valve body. Washerless 47 mm ceramic disc valve cartridge with temperature control. Hot limit safety stop. Pressure balancing cartridge maintains constant output temperature in response to changes in relative hot and cold supply pressures. 1/2" female I.P.S. inlets/outlets. Easy clean showerhead has 1.8 gpm/ 6.8 L/min flow restrictor. Metal lever handle. Rough-in plaster guard designed for use as thin-wall mounting adaptor.

PRODUCT FEATURES:

- Solid cast brass valve body:
 - Durable, ideal material for prolonged contact with water.
- Ceramic Disc Valve Cartridge:
 - Assures a lifetime of smooth handle operation and drip-free performance.
- Pressure Balancing Valve:
 - Maintains output temperature in response to changes in relative hot and cold supply pressure.
 - Diaphragm system engineered to eliminate cross flow and spool "thumping".
 - Avoids failure due to mineral deposits - ideal for use with hard water.
- Adjustable Hot Limit Safety Stop:
 - Limits the amount of hot water allowed to mix with cold.
 - Reduces the risk of accidental scalding.
- Integral Plaster Guard and Mounting Plate:
 - Plaster guard designed to protect valve during installation and to serve as a mounting plate for thin wall installations.

More Function. Better Shower Experience.
MULTI-FUNCTION
 Reliable For Life

Thermal Shock Protection
 VALVE MAINTAINS SHOWER'S WATER TEMPERATURE IF SUDDEN CHANGES IN WATER PRESSURE OCCUR
 Reliable For Life

WaterSense® Certified
 SAVES 30% MORE WATER THAN THE STANDARD FLOW OF 2.5 GALLONS PER MINUTE

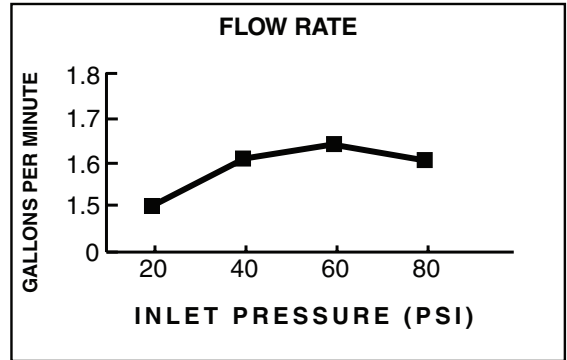
SUGGESTED SPECIFICATION:

Bath/shower fitting shall feature 3-function showerhead with 1.8 gpm (6.8 L/min) Max flow rate. Fitting shall be American Standard Model # 7413501.002. Model # 7413501.295. Model # 7413501.278.

CODES AND STANDARDS

These products meet or exceed the following codes and standards:

- ANSI A117.1**
- ASME A112.18.1**
- CSA B125.1**
- NSF 372**



Product Number	Description
7413501.002	1-Handle Shower Only. Metal lever handle. Ceramic Disc Valve. 3-Function showerhead. Chrome finish.
7413501.295	1-Handle Shower Only. Metal lever handle. Ceramic Disc Valve. 3-Function showerhead. Brushed Nickel finish.
7413501.278	1-Handle Shower Only. Metal lever handle. Ceramic Disc Valve. 3-Function showerhead. Legacy Bronze finish.

ADA Meets the American Disabilities Act Guidelines
ANSI A117.1 Requirements for the physically challenged.

NOTE: TO AVOID SHOWER RISE OR OTHER RELATED ISSUES, DO NOT USE PEX CONNECTIONS ON ANY OF THE OUTLETS.