

# Café™ 30" Free-Standing Gas Convection Range

CGB500P3MD1 / CGB500P2MS1

# CAFÉ

DISTINCT BY DESIGN™



ALSO AVAILABLE IN



CGB500P2MS1  
Stainless Steel with  
Brushed Stainless  
handles and knobs



## FEATURES & BENEFITS

Expansive edge-to-edge cooktop helps you entertain with ease - Cook five-course meals in a snap with an edge-to-edge cooktop that can accommodate cookware of all sizes

Enjoy total control in the kitchen and beyond - Control your oven with your smart device or simply your voice using WiFi Connect

Let the power of steam do your dirty work - Keep your oven looking spotless with a high heat steam clean option for small spills and a self-clean cycle for larger messes

Versatile cooktop complements every cooking style - Get the power and performance you need to pull off any meal with an 18K burner that boils water quickly and a center oval burner that provides even heat coverage for large cookware like griddles

Extra-large griddle sets the stage for your culinary skills - Impress guests with perfectly grilled arepas and crab cakes on the extra large integrated reversible cast-iron griddle/grill that gives you enough room for the perfect flip

Precise control delivers consistently delicious results - Achieve perfectly even desserts with accurate heat circulation thanks to True European Convection with Precise Air

Create a look that matches your personal style - Select any combination of premium finishes and hardware options to create a stunning look customized to any owner's taste

Allow your appliances to interact with one another - Create a chef-like experience with Chef Connect, which can synchronize your appliance clocks and surface lights and vent when a range burner is in use, and even your microwave and range clocks

## APPEARANCE

Color Appearance	Matte Black
Cooktop Burner Grate Color	Matte Black
Oven Door Features	Big Clear View Oven Window; Matte Black Frameless Oven Door
Handle	Professional Style; Customizable; Consumer Removable
Handle Color	Brushed Stainless
Handle Design	Café
Control Knobs	Weighted Stainless Steel Appearance

## FEATURES

Configuration	Range with Storage Drawer
Cooking System	True Convection
Cooking Technology	Convection
Oven Cleaning Type	Self-Clean with Steam Clean Option
Burner - Left Front	18,000 BTU
Burner - Left Rear	5,000 BTU Precise Simmer
Burner - Right Front	15,000 BTU
Burner - Right Rear	9,500 BTU
Burner - Center	10,000 BTU Oval
Cooktop Burner Type	Sealed
Cooktop Surface	One-Piece Upswept; Porcelain-Enamel; Gray
Dishwasher Safe Knobs	Yes
Control Location	Front controls
Control Type	Electronic Touch
Valves (Degree of Turn)	270
Oven Control Features	Audible Preheat Signal; Automatic Oven Timer (Time Bake); Auto Oven Shut-Off; Auto Self Clean; Certified Sabbath Mode; Control Lock Capability; Delay Bake Option (Time Bake); Digipad Numeric Entry; Electronic Clock and Timer; In-Oven Broiling; Temperature Probe; Self-Clean Cool Down Time Display
Oven Cooking Modes	Convection Bake; Convection Roast
Cooktop Burner Grate Features	Heavy-Cast Edge-to-Edge Grates
Cooktop Burner Grate Material	Cast-Iron
Cleaning Time	Variable with Delay Clean Option
Oven Rack Features	3 Flat Racks; 6 Rack Positions
Fuel Type	Natural Gas (factory set)
Ignition System	Electronic
Leveling System	4 Leveling Legs
Style	Commercial
Oven Interior	1 Incandescent; Black
WiFi Connect	Built-In

## CAPACITY

Total Capacity (cubic feet)	5.6 cu ft
-----------------------------	-----------

## ACCESSORIES

Grates	Optional Center Grate JXGRATE1
Grill	Reversible Integrated Grill/Griddle (Included)
LP Conversion Kit	Included
Griddle	Included; Integrated Cast Iron Reversible

## WEIGHTS & DIMENSIONS

Depth with Door Open	46-1/4 in
Approximate Shipping Weight	248 lb
Net Weight	228 lb
Overall Height	47-1/4 in
Height to Cooking Surface (in.)	36-1/4 +/- 1/4
Overall Width	29-7/8 in
Cabinet Width	30-in
Overall Depth	28-3/4 in
Depth Without Handle	26-1/4 in
Oven Interior Dimensions (W x H x D) (in.)	24 x 19-1/2 x 20-5/8

# Café™ 30" Free-Standing Gas Convection Range

CGB500P3MD1 / CGB500P2MS1

# CAFÉ

DISTINCT BY DESIGN™

## POWER / RATINGS

Amp Rating at 208V	15
Amp Rating at 240V	15
Convection Wattage	1200W
Top Burner BTU Rating - LP (000's BTU's)	(1) 18.0; (1) 15.0; (1) 8.0; (1) 9.5; (1) 5.0
Top Burner BTU Rating - Nat. Gas (000's BTU's)	(1) 18.0; (1) 15.0; (1) 10.0; (1) 9.5; (1) 5.0
Volts/Hertz/Amps	120v; 60Hz; 15A
Bake/Broiler BTU Rating - LP (000's BTU's)	16.0 Bake / 13.5 Broiler
Bake/Broiler BTU Rating - Nat. Gas (000's BTU's)	16.0 Bake / 16.5 Broiler

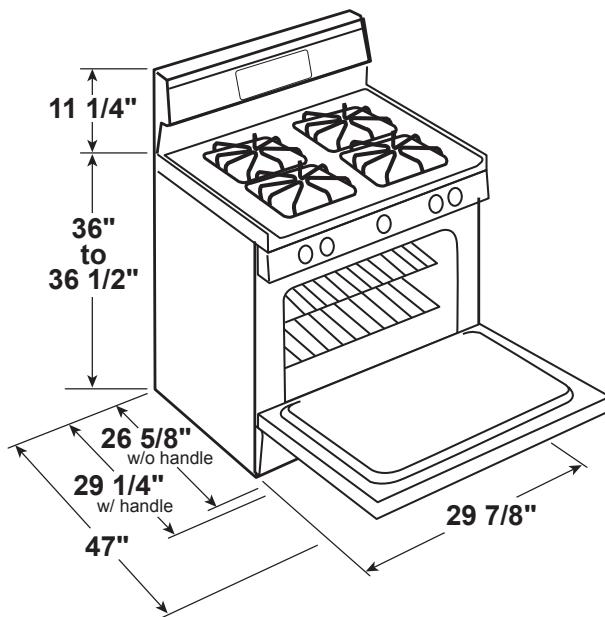
## WARRANTY

Parts warranty	Limited 1-year entire appliance
Labor warranty	Limited 1-year entire appliance

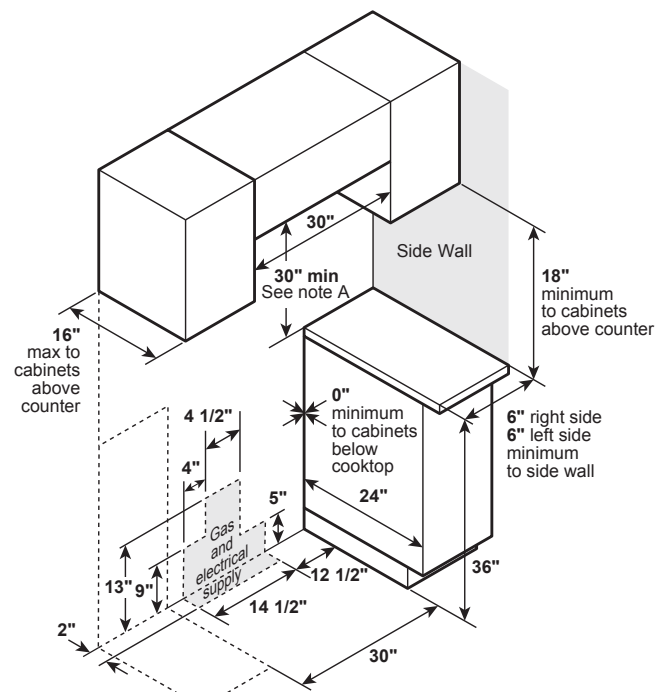
## DIMENSIONS AND INSTALLATION

**Electrical Rating:** 120V, 60Hz, 15A

**Installation Information:** Before installing, consult installation instructions packed with product for current dimensional data.



## GAS PIPE AND ELECTRICAL OUTLET LOCATIONS

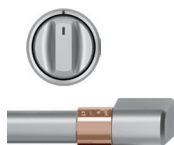


Note A: 30" Minimum to bare cabinet, see installation instructions heights less than 30"

## ADDITIONAL ACCESSORIES



CXFSGHKPMBZ  
Brushed Bronze  
2 handles; 5 knobs



(Included)  
Brushed Stainless  
2 handles, 5 knobs



CXFSGHKPMBT  
Brushed Black  
2 handles, 5 knobs



CXFSGHKPMCU  
Brushed Copper  
2 handles, 5 knobs