



INSTRUCTION MANUAL

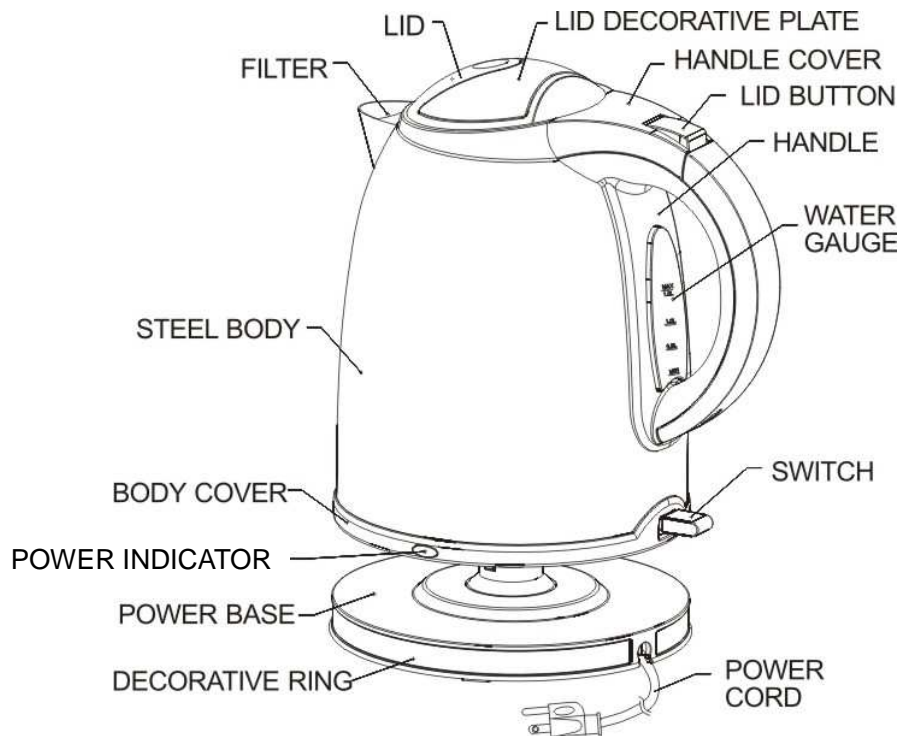


MODEL: SK-1286S

1.2L CORDLESS ELECTRIC KETTLE

THANK YOU FOR YOUR PURCHASE.
PLEASE READ THIS MANUAL THOROUGHLY BEFORE USE AND RETAIN
FOR FUTURE REFERENCE.

INTRODUCTION



Features & Benefits

- Rating: 120V, 60Hz, 1500W
- Capacity: 1.2L (Max level)
- 360° Swivel base
- Stainless steel body construction
- Easy read water gauge
- Power indicator
- Unit automatically shuts off once water has boiled, or when kettle is lifted from power base. Power indicator will go off.
- Overheat & Boil-Dry Safety Protection. If kettle is accidentally switched ON without sufficient water or when kettle is being dry boiled, this safety feature will automatically shut the kettle off
- Removable scale filter
- Cord storage

IMPORTANT SAFEGUARDS

When using this or any electrical appliance, the following basic safety precautions should always be followed:

1. Read all instructions before using.
2. Before connecting the kettle to the power supply, check that the voltage indicated on the appliance corresponds with the voltage in your home. If this is not the case, contact your dealer and DO NOT use the kettle.
3. Unplug from outlet when not in use and before any cleaning or maintenance. Allow cool completely before cleaning.
4. Do not let cord hang over edge of table or counter or touch hot surfaces.
5. Do not place kettle on or near a hot gas or electric burner or in a heated oven.
6. To prevent against electrical hazards, do not immerse cord, plug or kettle in water or any other liquid. See instructions for cleaning.
7. Use kettle on a firm and flat surface, away from the reach of children.
8. Do not touch hot surfaces. Use handles or knobs. Metal surfaces become extremely hot.
9. Do not operate any appliance with a damaged cord or plug or after the appliance malfunctions. Return the appliance to the nearest authorized service center for examination, repair or adjustment.
10. Do not let children play this product. Close supervision is necessary when any appliance is used by or near children.
11. Be careful of hot steam when opening the lid for refilling while kettle is hot.
12. Do not overturn the kettle when filled with water.
13. The kettle is for household use only, not for outdoor.
14. Do not use the appliance with insufficient water level.
15. Avoid contacting with steam from the spout when the water is boiling or just after it has switched off. DO NOT be anxious to uncover the lid.
16. Always ensure the lid is closed and do not lift lid during brewing process as scalding may occur.
17. Do not use the appliance for other than intended use.
18. The kettle can only be used with the supplied power base.
19. Do not fill water above MAX line; boiling water may spill out during brewing process.
20. Do not operate appliance with a damaged cord or plug, or after appliance malfunctions or is dropped or damaged in any manner. Return the appliance to an authorized service facility for examination, repair or electrical/mechanical adjustment.
21. Do not move kettle during heating process.
22. The use of accessory attachments not recommended by the manufacturer may result in fire, electric shock or personal injury.
23. This appliance is not intended for use by persons (including children) with reduced physical, sensory or mental capabilities, or lack of experience and knowledge, unless they have been given supervision or instruction concerning use of the appliance by a person responsible for their safety.
24. Do not immerse this appliance or any of its parts, other than the removable filter, in water.
25. Only use the kettle to heat water. No other liquids should be placed inside the kettle.

Using Your Water Kettle

Before initial use, it is recommended to clean the interior of the kettle thoroughly (refer to

cleaning instructions on the next page) and run the kettle through one boiling cycle (see below). When the water has boiled, discard the boiled water and rinse the inside of the kettle once more.

1. Place the power base on a sturdy, level surface.

2. Press the Lid Button to open lid and fill with water through opening.

Caution: Water must be filled between the “Min” and “Max” level. Insufficient water will not boil and may cause damage to the heating element. Filling past the Max line will cause boiling water to spill over.

3. Be sure the removable filter is properly inserted.

4. Press down on lid to close.

Note: Pot may continuously boil water and not shut off if lid is not closed.

5. Be sure the base of the kettle and power base are completely dry.

6. Place kettle onto the power base and connect to power supply. Position the kettle so that the spout is facing away from you.

7. Press down on the power switch to begin boiling process. The indicator light will illuminate. **DO NOT** open the lid while the water is boiling.

Caution: Be sure the switch is clear of obstructions and the lid is firmly closed. The kettle will not turn off if the switch is constrained or if the lid is left open.

8. Once the water has boiled, the kettle will release the power switch. The power indicator light will turn off and kettle will automatically shut off.

9. Using the handle, lift the kettle from the power base before pouring.

Caution: Do not touch the stainless steel body, as it will be extremely hot. Pour water carefully as boiling water will scald.

10. The boiling process can be terminated at any time by lifting the kettle off the Power Base or by switching the Power Switch to “0” position.

CAUTION:

- Never operate the appliance empty. In the event of this occurred, the thermal cut-off safety feature will automatically cut off power to the unit. Unplug the appliance and let it completely cool down.
- The filter must be in place during operation otherwise water spillage may occur.
- **Not suggested for use in regions where sea level is above 300 meters. Pot may continuously boil and not switch off.**
- **Ensure the power is turned off while the kettle is not in use.**

Removing and Inserting the Filter

Note: Do not attempt to remove or insert the filter until the unit has cooled completely

- To remove, insert thumb through spout opening and push gently.
- To replace, first hook the small clip on bottom of filter to the indent at bottom of spout opening. Push filter gently and hear it click in place.

Cleaning & Maintenance

- Always unplug unit and allow to cool completely before cleaning.
 - Do not immerse power cord, kettle or power base in water.
1. Wipe the exterior with a clean damp cloth and wipe dry with a soft cloth. In order to maintain the texture of the outer surface, never use abrasive cleaners.
 2. To clean the interior, swish warm soapy water around with the lid closed. Rinse thoroughly with water. You can also use a glass/bottle cleaning brush.

De-Scaling

Hard water can leave mineral deposits, creating scale build up inside the kettle. Periodical de-scaling is needed. The interval of de-scaling depends on usage frequency and the hardness of the water used. To avoid this build-up, it is recommended to use distilled water.

To de-scale, it is recommended to use Citric Acid (follow instructions on package), or:

1. Fill the kettle halfway with water and bring to boil.
2. Add one cup of white vinegar and allow mixture to sit for a minimum of 6 hours.
3. Empty the mixture and rinse out the kettle.
4. Refill the kettle with water only and bring to a boil. Discard water.
5. Repeat as needed.

Do not attempt to dismantle the kettle or power base. No user serviceable parts inside it.

For any problem, contact the authorized service facility for help.

SAVE THIS USER MANUAL!



Your Guarantee

If this product is found to be faulty as a result of faulty materials or workmanship within one year from date of purchase, it will be repaired free of charge.

This guarantee is subject to the following terms:

- Sunpentown must be notified of the fault.
- Proof of purchase must be presented to Sunpentown's nominated representative.
- The warranty will be void if the product is modified, misused or repaired by an unauthorized person.
- The warranty after repair will not be extended beyond the original one-year period.
- All replacement parts will be new or reconditioned.
- Parts, which are replaced, become the property of Sunpentown.
- The warranty applies for the use of the product in the USA only.

What is NOT COVERED:

- Warranty does not include freight charges.
- Incidental or consequential damage caused by possible defects with this product.
- Damage to product caused by improper power supply voltage, accident, fire, floods or acts of nature.
- Failure of product resulting from unauthorized modifications to the product.
- Improper installation or failure to perform the necessary maintenance.

This GUARANTEE is in addition to your Statutory Rights

SUNPENTOWN INTERNATIONAL INC.
21415 Baker Parkway, City of Industry, CA 91789-5236
Tel: 909-468-5288 - Fax: 909-468-5279
service@sunpentown.com

www.sunpentown.com