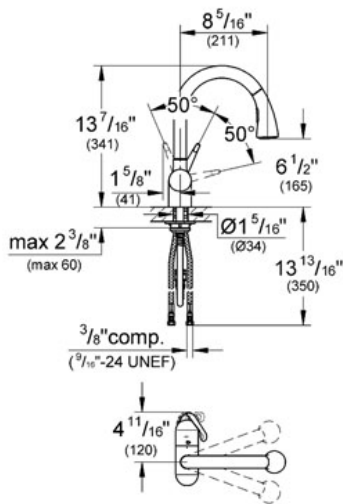


LADYLUX  
Single-lever sink mixer 1/2"  
MODEL # 33755

Pure Freude an Wasser



GROHE America, Inc | 200 North Gary Avenue, Suite G, Roselle, IL 60172  
Phone: +1 (800) 444-7643 | Fax: +1 (800) 225-2778 | us-customerservice@grohe.com



**Product Description:**  
Single-lever sink mixer 1/2"

**Standard Specification:**

- GROHE SilkMove® ceramic cartridge
- GROHE RealSteel® Stainless Steel Construction produced from 304 stainless steel
- Pull-out Dual Spray Control - switches back and forth between regular flow and spray
- SpeedClean anti-lime system
- Single hole installation
- Solid stainless steel body
- Swivel Spout
- 360° swivel spout
- Adjustable flow rate limiter
- Automatic returning
- Integrated non-return valve
- Locking Push Button Control - to switch from regular flow to spray
- Automatic return to aerator
- Stainless steel flexible connection hoses
- Quick installation system
- Protected against backflow
- Projection 8 5/16"
- Forward rotation lever, does not hit backsplash
- Max Flow Rate 1.75 gpm (6.6 L/min)

**Applicable Codes & Standards:**

- NSF 61
- ASME A112.18.1/CSA B125.1
- US Federal and State material regulations
- ICC/ANSI A117.1

**Color:**

- 33755 SD1 Stainless Steel
- 33755 SDE stainless steel
- 33755 SD0 GROHE RealSteel®
- 33755 KD0 Stainless Steel/Soft Black

