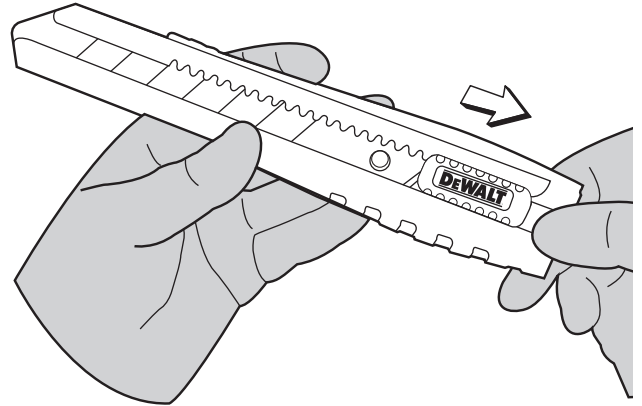




BLADE CHANGE INSTRUCTIONS

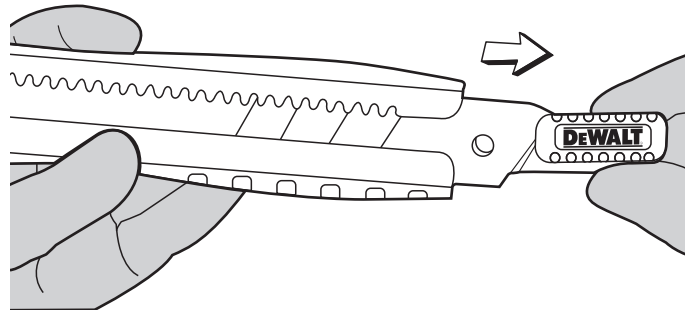
1

PULL TO REMOVE METAL ENDCAP



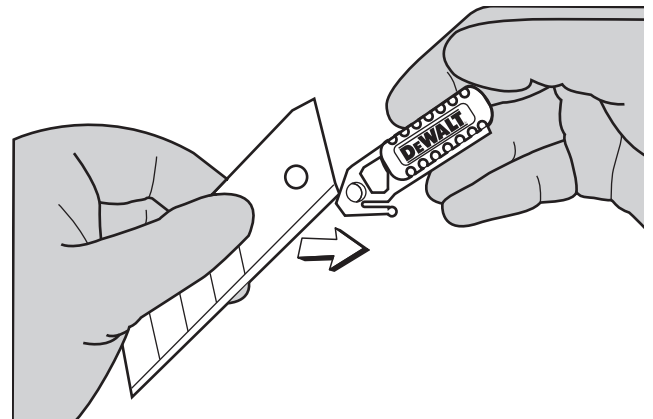
2

PULL OUT USED BLADE FROM KNIFE HANDLE



3

LIFT TO REMOVE USED BLADE



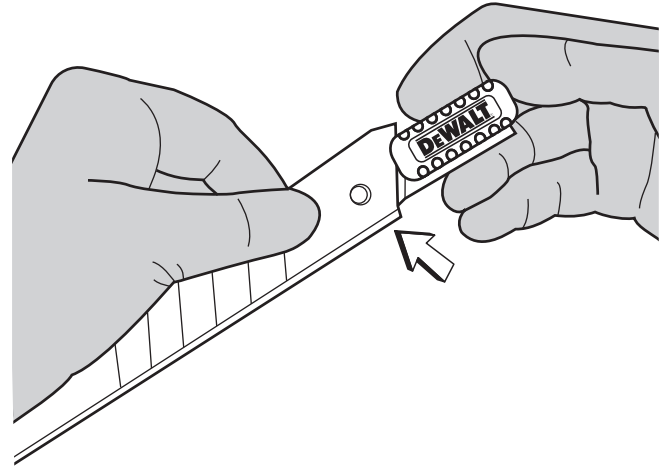


WEAR SAFETY GOGGLES. BLADES ARE EXTREMELY SHARP. HANDLE WITH CARE. WEAR CUT RESISTANT GLOVES TO PROTECT HANDS. DO NOT BEND BLADES. BLADES MAY BREAK IF BENT AND MAY RESULT IN BODILY INJURY. CLOSE OR COVER BLADE WHEN NOT IN USE.

BLADE CHANGE INSTRUCTIONS (CONTINUE)

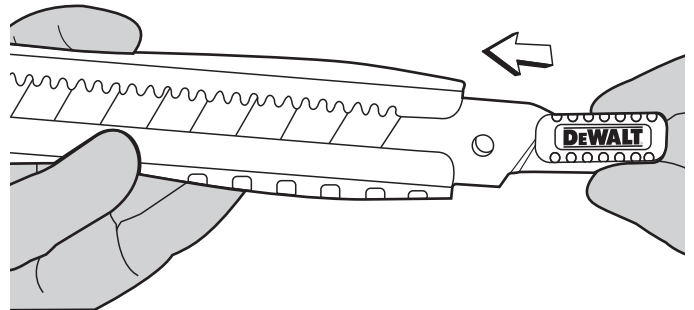
4

PLACE NEW BLADE BY ALIGNING THE CIRCLE ON THE BLADE WITH THE CIRCLE ON THE SLIDER



5

PUSH NEW BLADE INTO KNIFE



6

REPLACE METAL ENDCAP

