

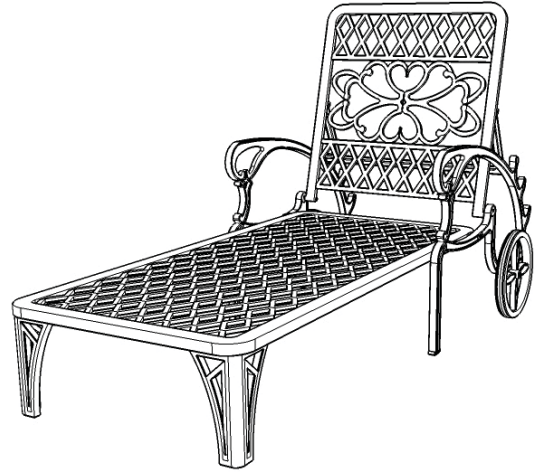
# 88 5554 83 Biscayne Chaise

## IMPORTANT NOTE

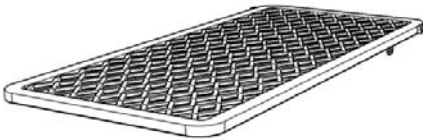
Carefully remove all the parts from the carton and put them individually on a soft cloth to prevent scratches or other damages occurring to the parts.

We have taken great care in the design of this product and request that you carefully and strictly follow our assembly instructions to ensure a completed product as it was designed.

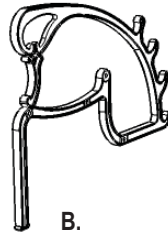
*Home  
Styles*



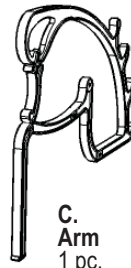
## Part List



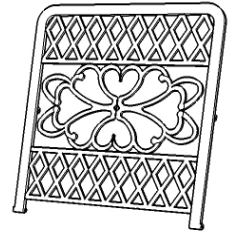
**A.**  
Seat  
1 pc.



**B.**  
Arm  
1 pc.



**C.**  
Arm  
1 pc.



**D.**  
Back Frame  
1 pc.



**E.**  
Support  
1 pc.



**F.**  
Leg  
2 pcs.



**G.**  
Wheel  
2 pcs.

## Hardware List



**Key Wrench (large)**  
1 pc.



**Nut (large)**  
2 pcs.(+1 extra)



**Spring Washer (large)**  
2 pcs.(+1 extra)



**Flat Washer (large)**  
2 pcs.(+1 extra)



**Wheel Bolt**  
2 pcs.(+1 extra)



**Key Wrench**  
1 pc.



**Large Hex Wrench**  
1 pc.



**Nut (middle)**  
6 pcs.(+1 extra)



**Spring Washer (middle)**  
6 pcs.(+1 extra)



**Flat Washer (middle)**  
6 pcs.(+1 extra)



**Bolt**  
6 pcs.(+1 extra)



**Nut Cap**  
6 pcs.(+1 extra)



**Small Hex Wrench**  
1 pc.



**Nut (small)**  
2 pcs.(+1 extra)



**Spring Washer (small)**  
2 pcs.(+1 extra)



**Flat Washer (small)**  
2 pcs.(+1 extra)



**Head Cap Bolt (round head)**  
2 pcs.(+1 extra)



**Head Cap Bolt (large)**  
6 pcs.(+1 extra)

**Tools required for assembly :** Slotted screwdriver

**Home Styles Consumer Assistance:** [www.homestyles-furniture.com](http://www.homestyles-furniture.com),  
[servicedesk@homestyles-furniture.com](mailto:servicedesk@homestyles-furniture.com), 888-680-7460, 877-831-0319

# Assembly Instructions 2/3

## IMPORTANT

\* Do not tighten up all the screws until each part is properly assembled.

\* You should keep Key Wrenches and Hex Wrench in a safe place as you may need to tighten up the Nuts and Head Cap Bolts in the future.

\* Use a soft cloth between the parts and the floor.

## STEP 1

Insert all Bolts into the pre-drilled holes of Seat (A). (See Figure 1)

Attach Legs (F) onto Seat (A) with Flat Washers (middle), Spring Washers (middle), Nuts (middle) and Nut Caps.

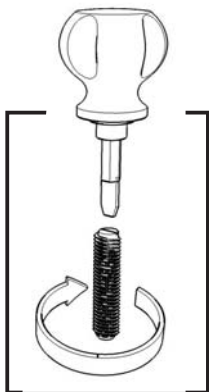


Figure 1

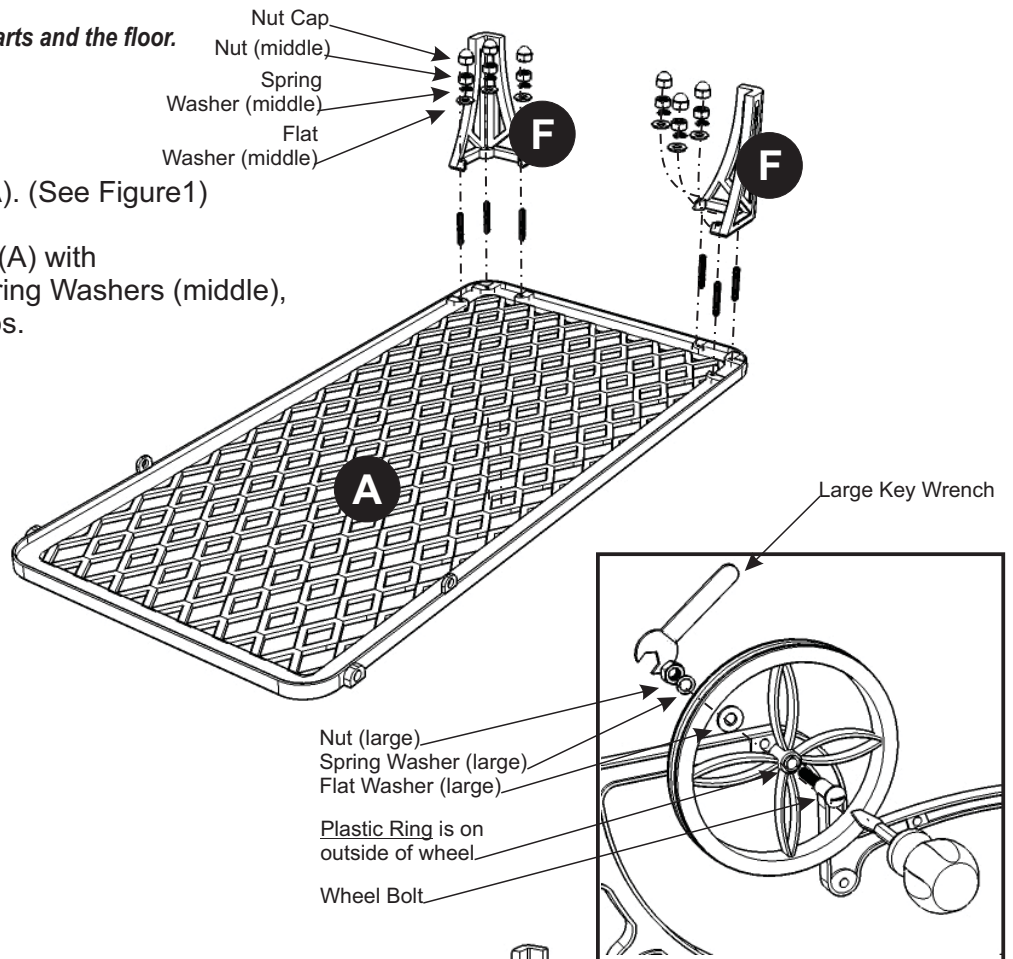
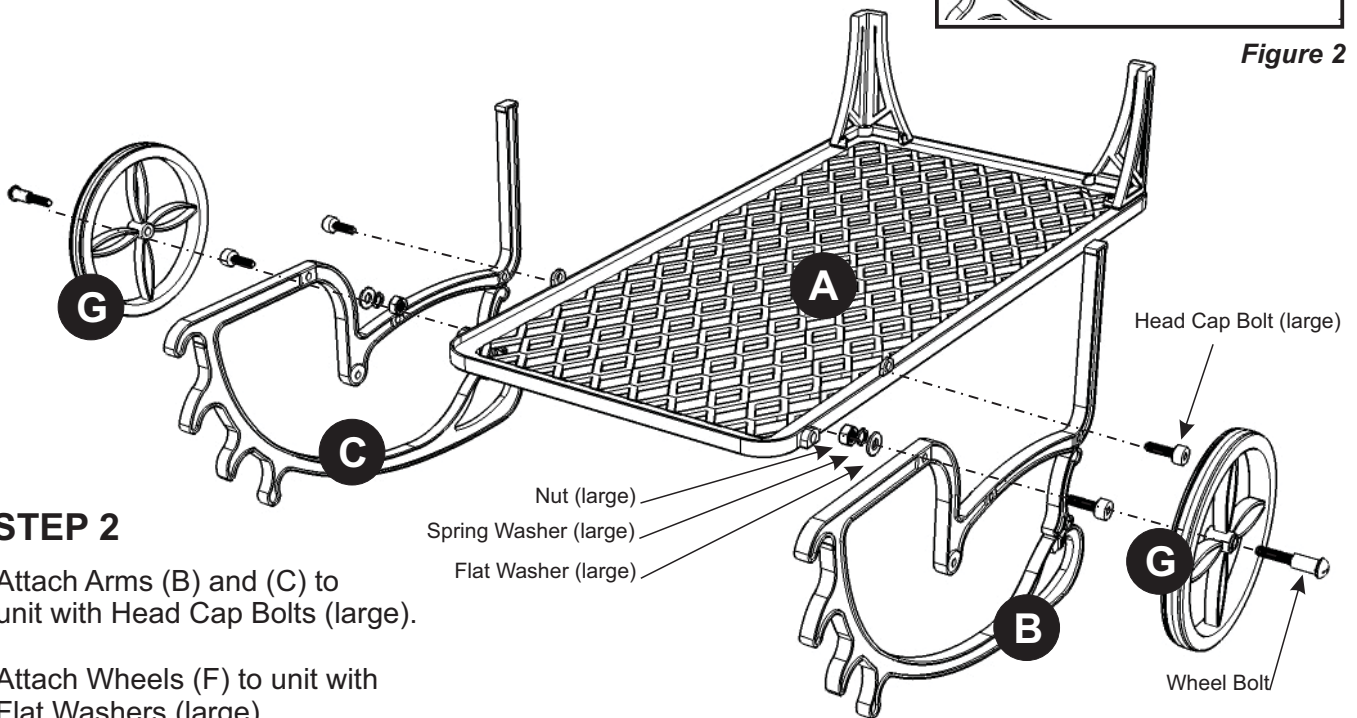


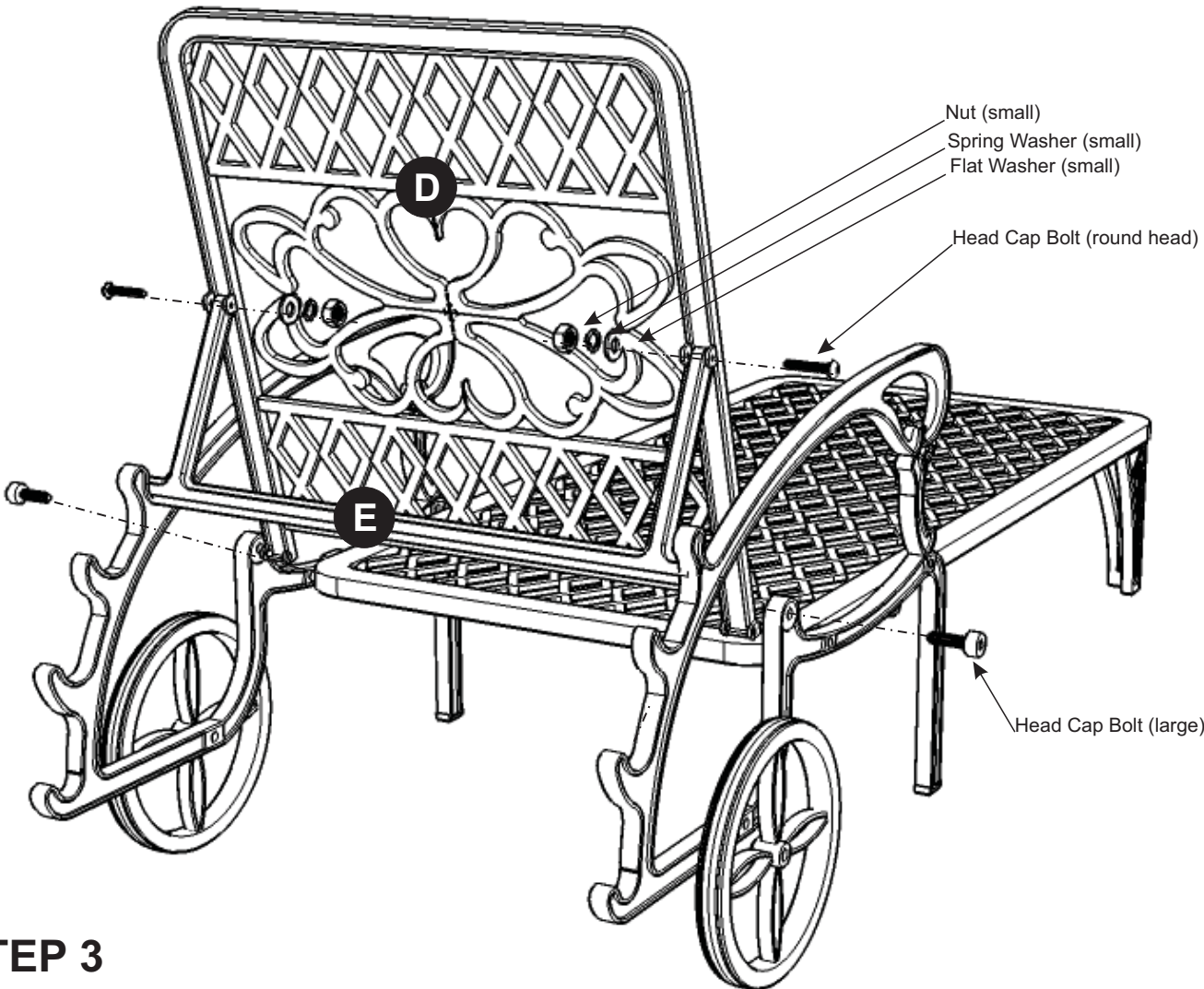
Figure 2

## STEP 2

Attach Arms (B) and (C) to unit with Head Cap Bolts (large).

Attach Wheels (F) to unit with Flat Washers (large), Spring Washers (large) and Nuts (large). (See Figure 2)



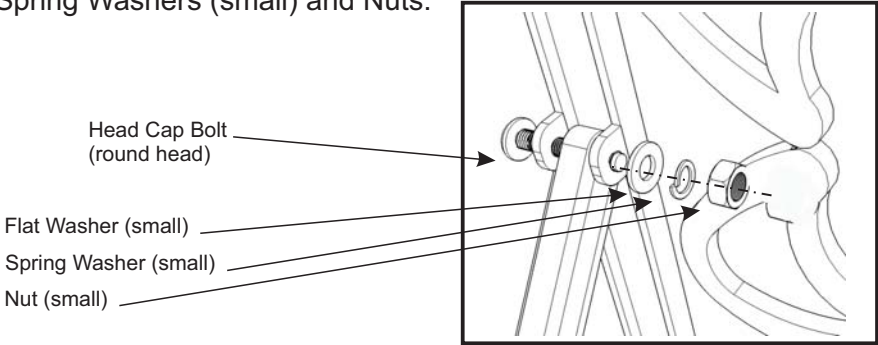


**STEP 3**

Turn the unit to its' upright position.

Place Back Frame (D) into position with Head Cap Bolts (large).

Attach Support (E) to Back Frame (D) with Head Cap Bolts (round head), Flat Washers (small), Spring Washers (small) and Nuts. (See Figure 3)



**Figure 3**