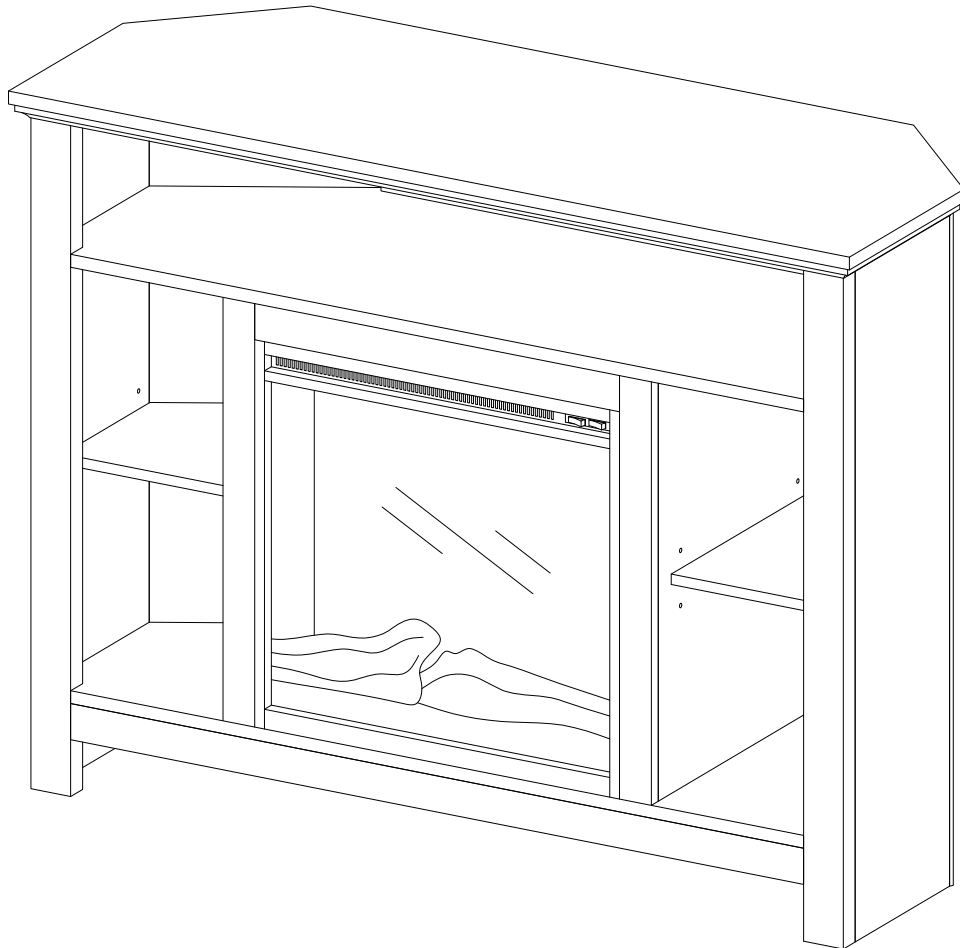


**W** Walker<sup>®</sup>  
**Edison**  
furniture company

Item # : W44FPHBC  
Assembly Instructions

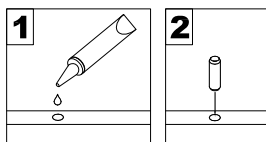


*Please visit our website for the most current instructions, assembly tips, report damage, or request parts. [www.walkeredison.com](http://www.walkeredison.com)*

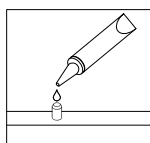
Revised 03/2018

# General Assembly Guidelines

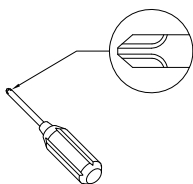
- I. Ensure that all parts and hardware are available before beginning assembly.
- II. Follow each step carefully to ensure the proper assembly of this product.
- III. Two people are recommended for ease in the assembly of this product.
- IV. The three main types of hardware used to assemble this product are : wood dowels , screws and bolts.
- V. The provided glue is to secure wood dowels in place . When first inserting dowels , locate the appropriate hole for the dowel , place a small amount of glue in the hole and insert the dowel . Wipe away excess glue immediately.



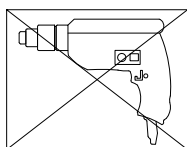
In future assembly steps when dowels are necessary to attach assembly parts together , place a small amount of glue on the end of the dowel before attaching parts together . Wipe away excess glue immediately.



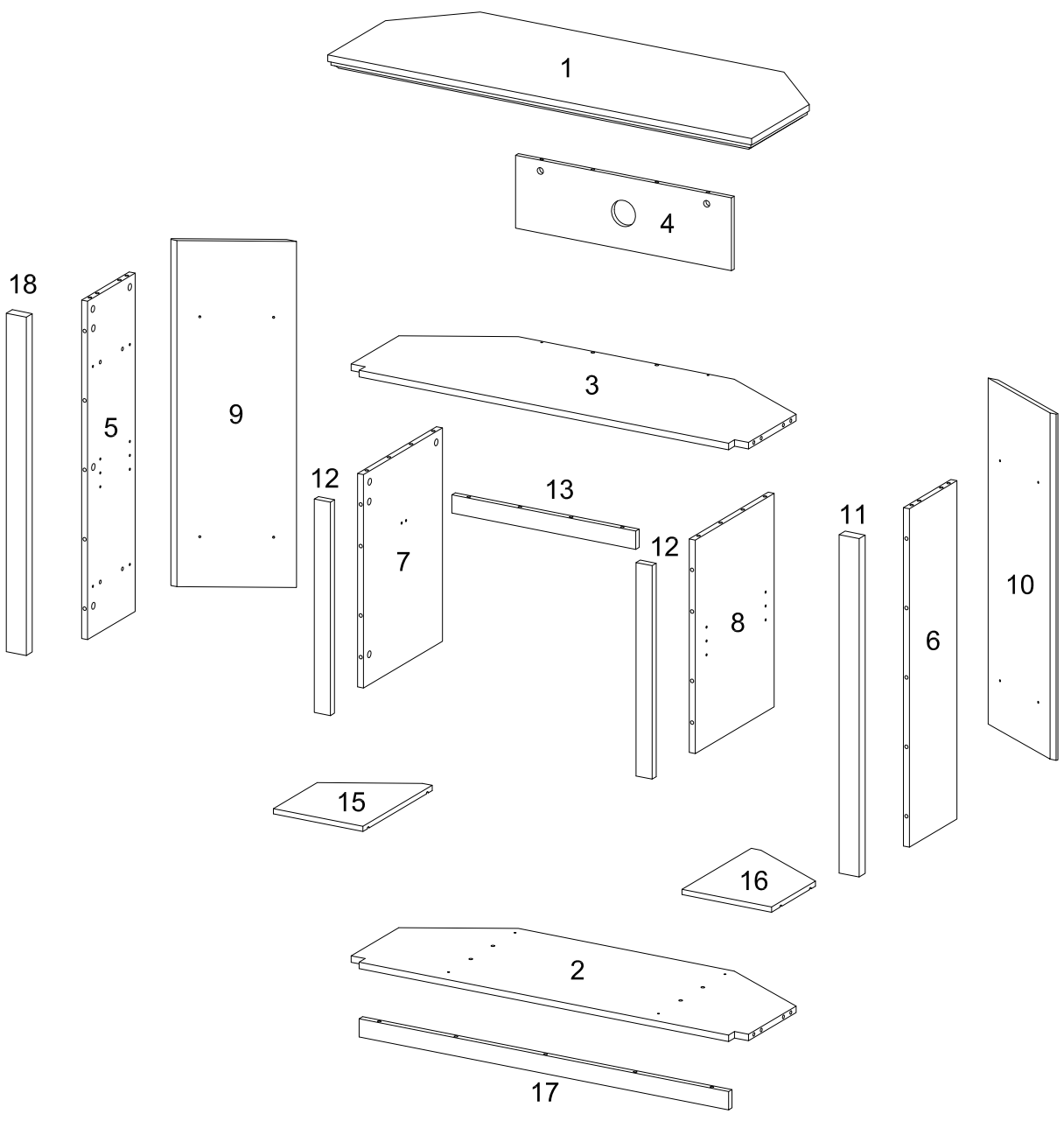
- VI. A Phillips head screwdriver is required for the assembly of this product .











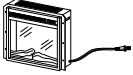

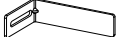
- VII. Power tools should not be used to assemble this product .

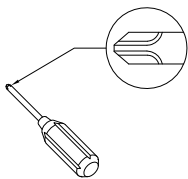


# Parts List



# Hardware List

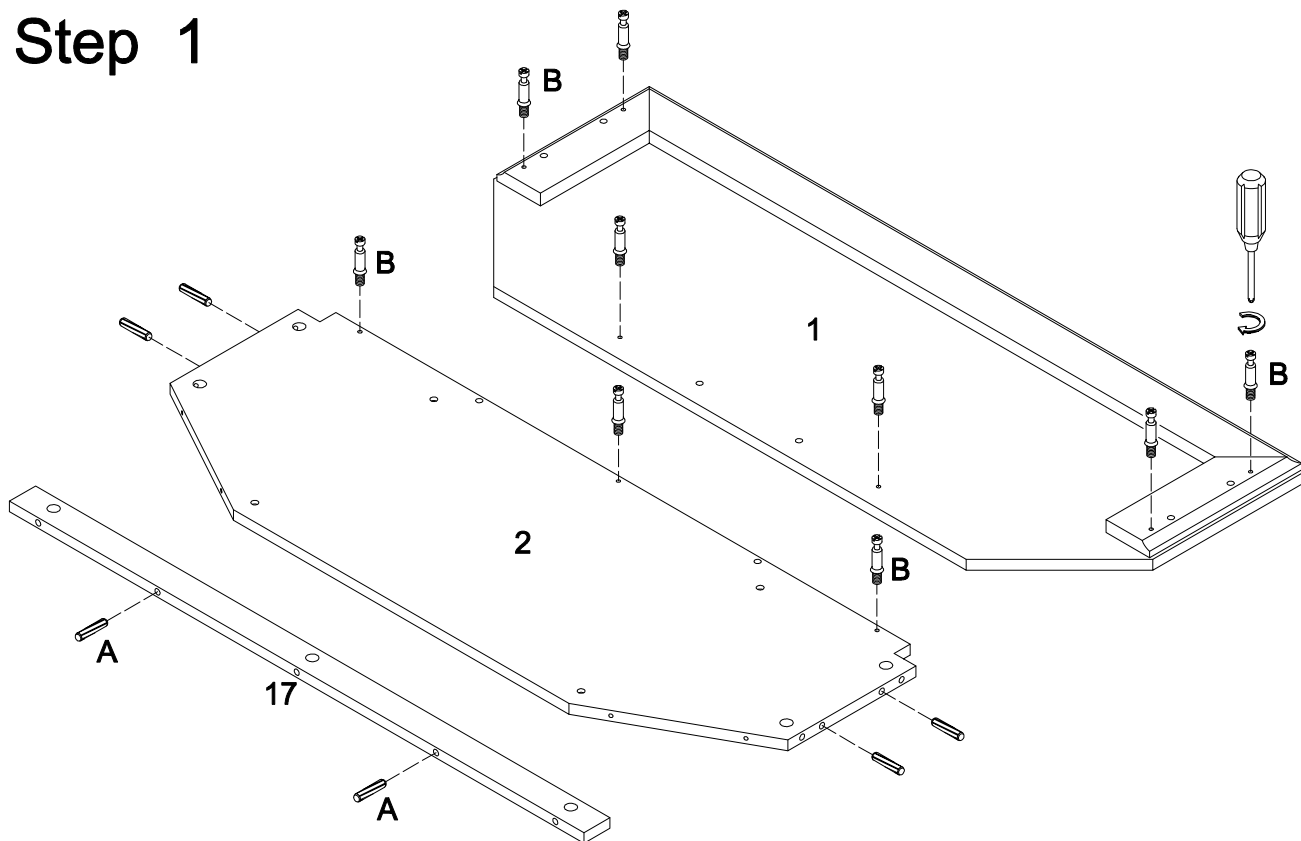
A		Ø8x30mm	Wooden dowel	36 pcs
B			Cam bolt	33 pcs
C		Ø15x11mm	Cam lock	31 pcs
D		Ø15x9.5mm	Cam lock	2 pcs
E		Ø6x50mm	Bolt	14 pcs
F		Ø8x5x16mm	Shelf support pin	8 pcs
G		Ø4mm	Wrench	1 pc
H			Glue tube	2 pcs
J			Sticker	41 pcs
L			Fireplace Insert (F18V66L)	1 pc
M		Ø4x12	Screw	4 pcs
N			L shape bracket	2 pcs



Philips head screwdriver required for assembly  
(not included)

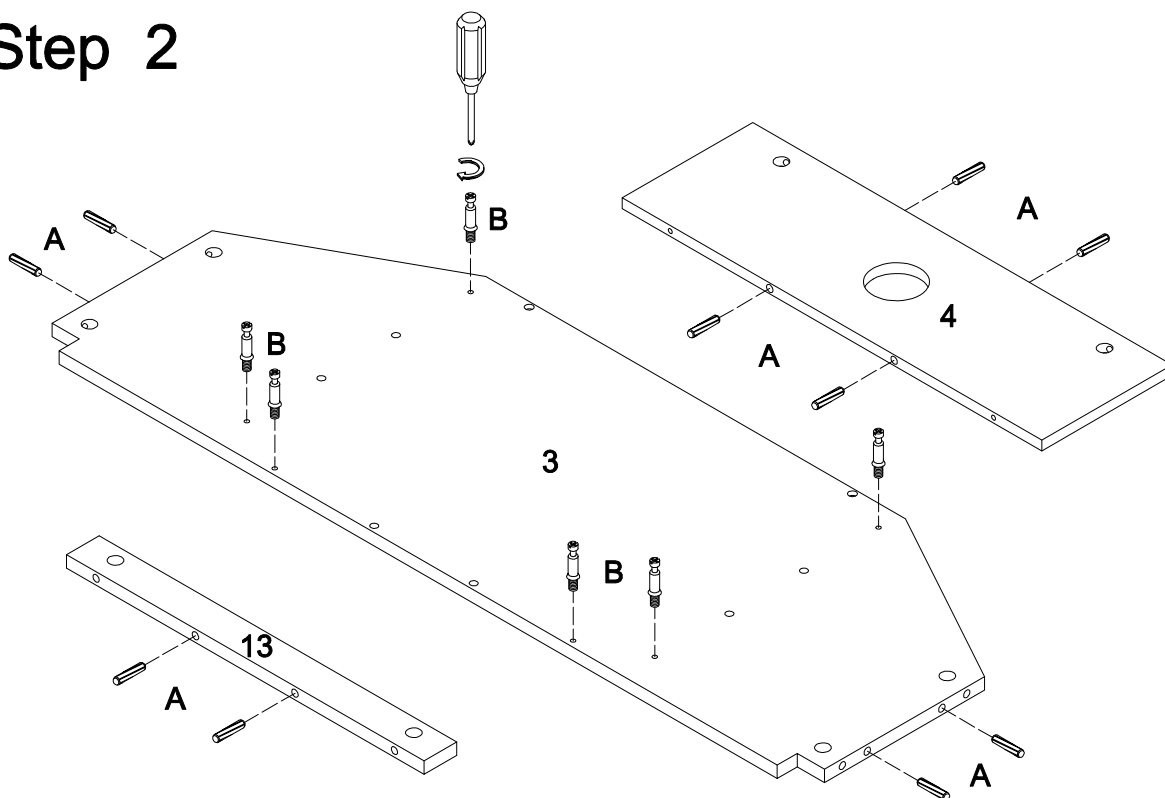
*The hardware quantities listed above are required for proper assembly.  
Some extra hardware may also have been included.*

# Step 1



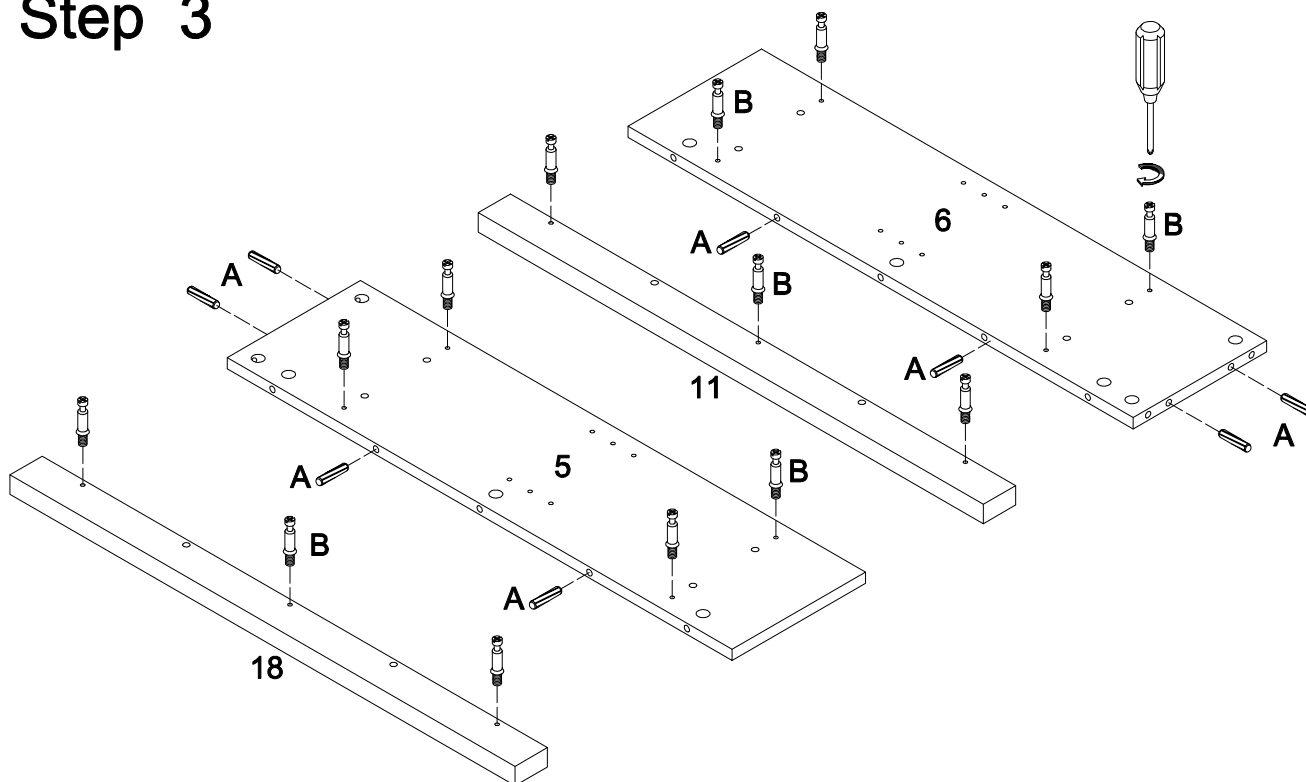
Attach cam bolts (B) to parts (1) and (2). Insert wooden dowels (A) into parts (2) and (17).

# Step 2



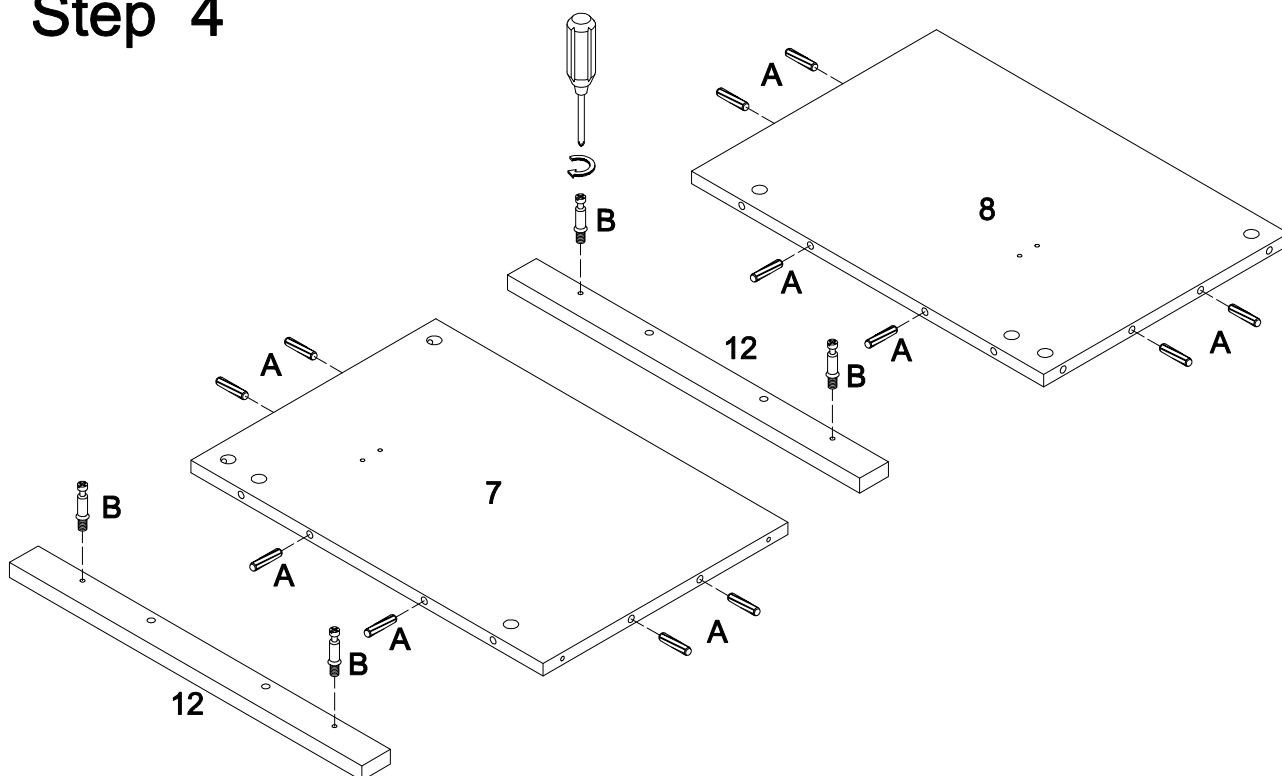
Attach cam bolts (B) to part (3). Insert wooden dowels (A) into parts (3,4) and (13).

## Step 3



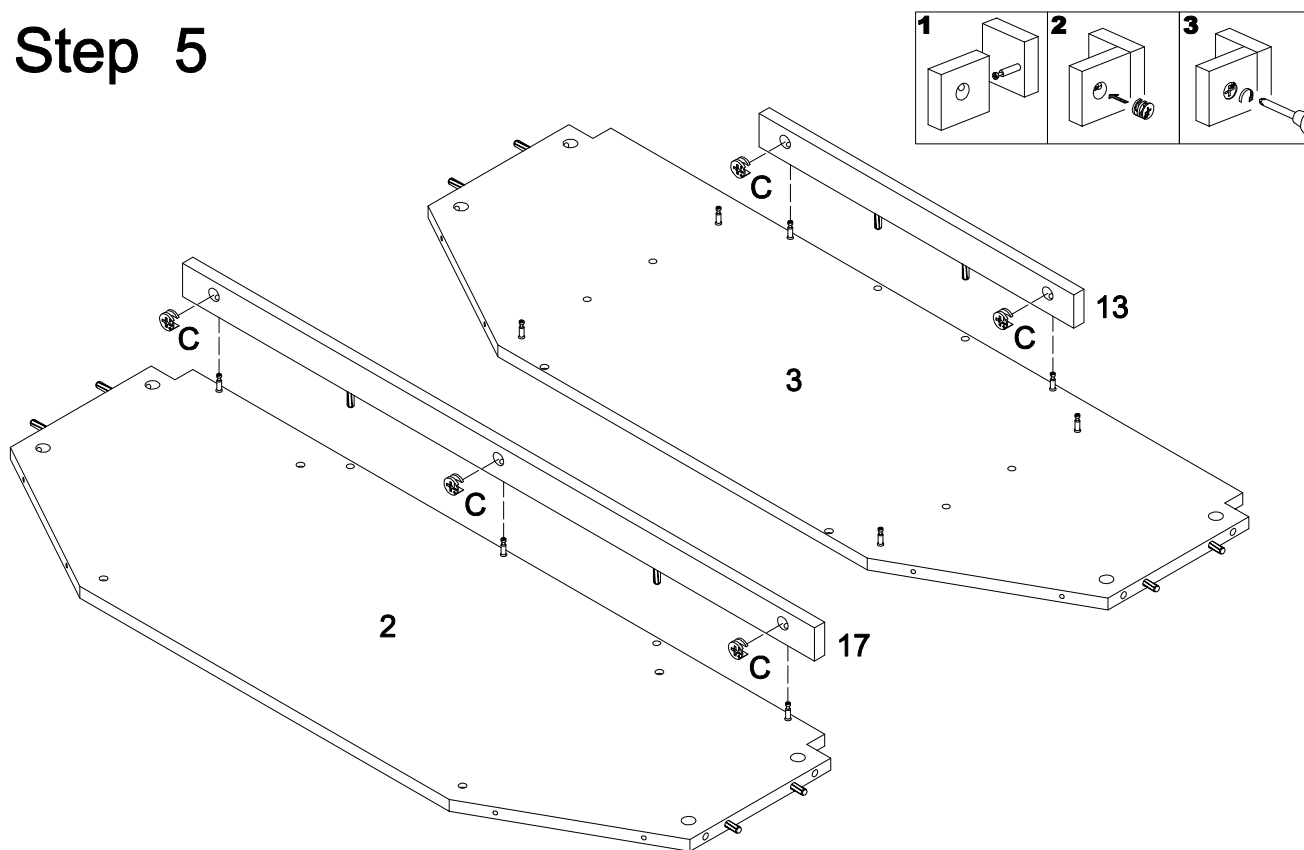
Attach cam bolts (B) to parts (5,6) and (11,18). Insert wooden dowels (A) into parts (5) and (6).

## Step 4



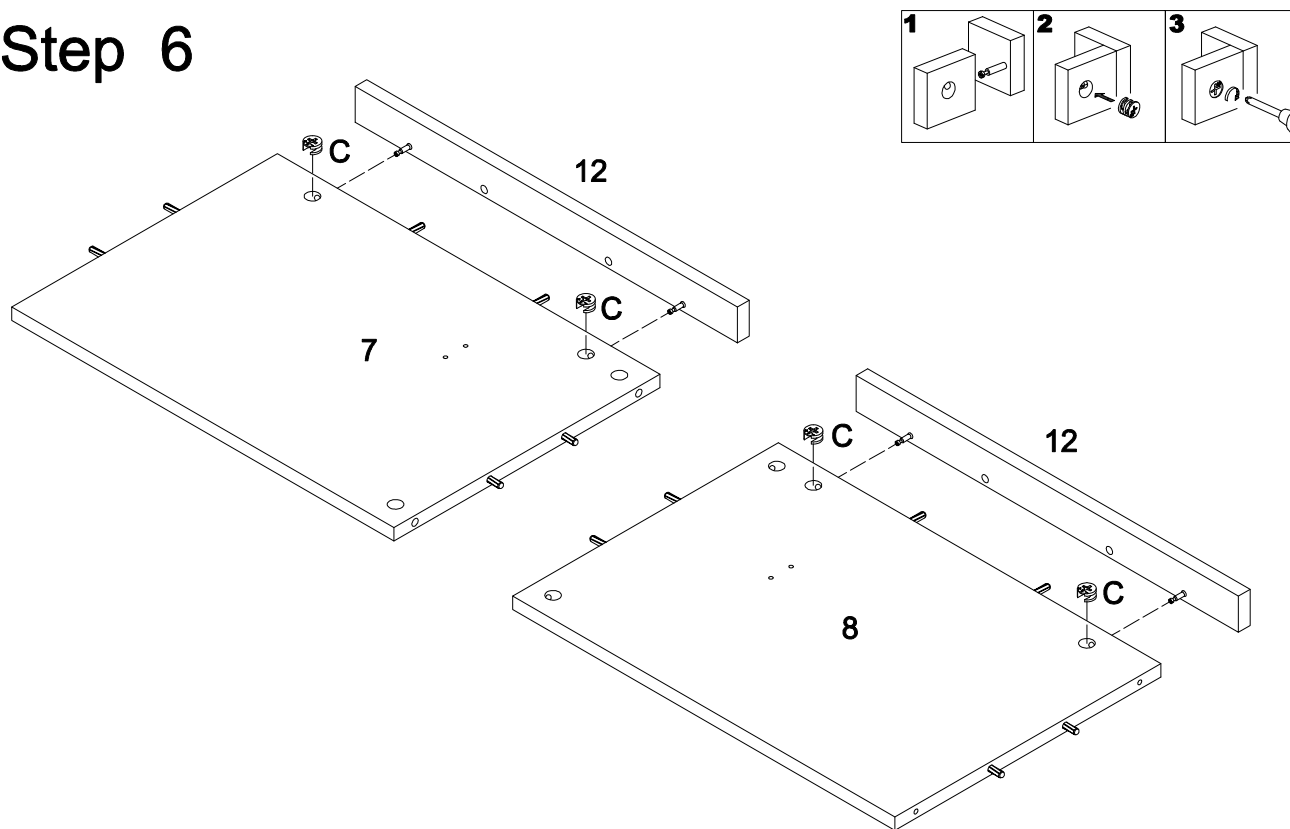
Attach cam bolts (B) to parts (12). Insert wooden dowels (A) into parts (7) and (8).

## Step 5



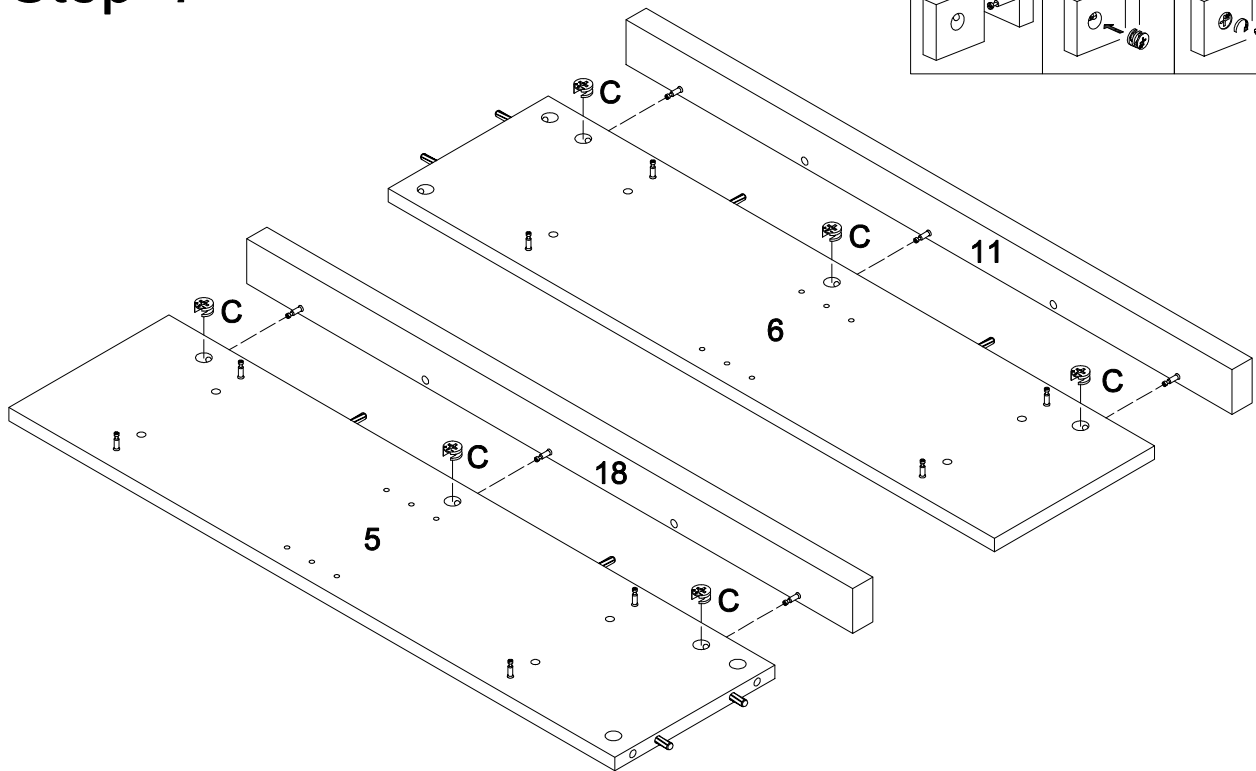
Attach cam locks (C) to parts (13) and (17) to connect part (2) and part (3) as shown in the diagram.

## Step 6



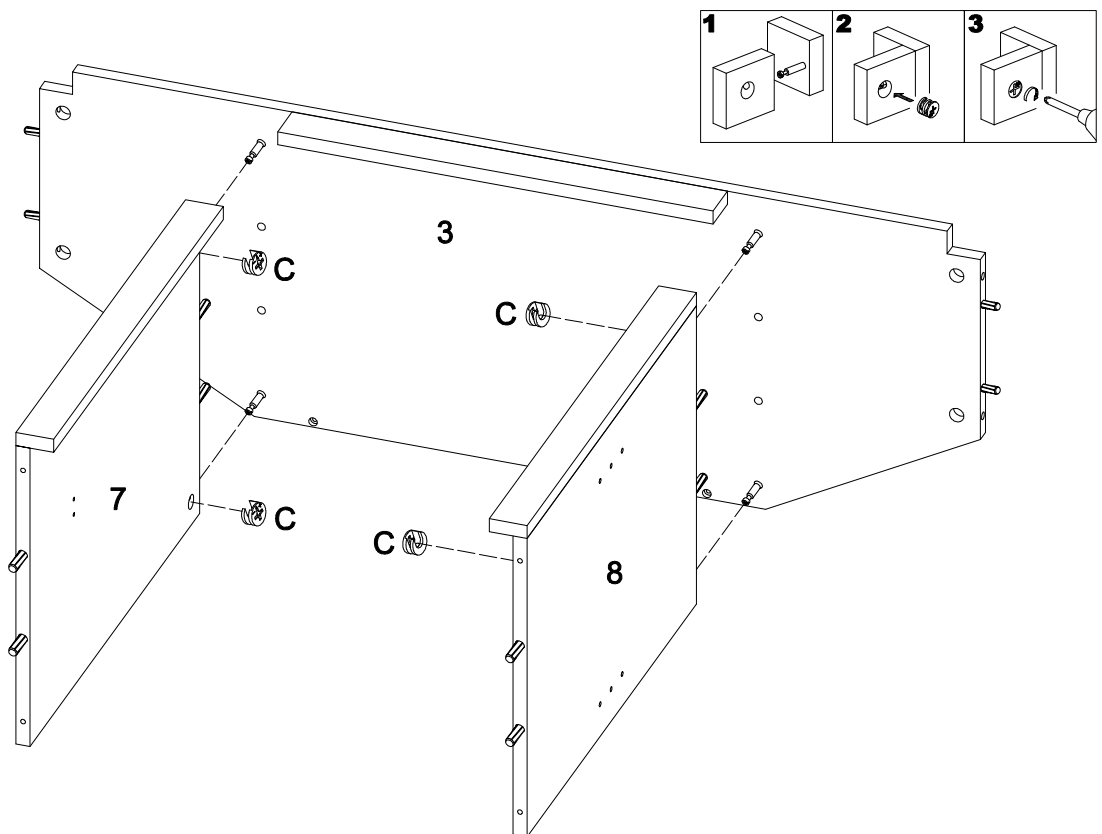
Attach cam locks (C) to parts (12) to connect to part (7) and part (8) as shown in the diagram.

# Step 7



Attach cam locks (C) to parts (11,18) to connect to part (5,6) as shown in the diagram.

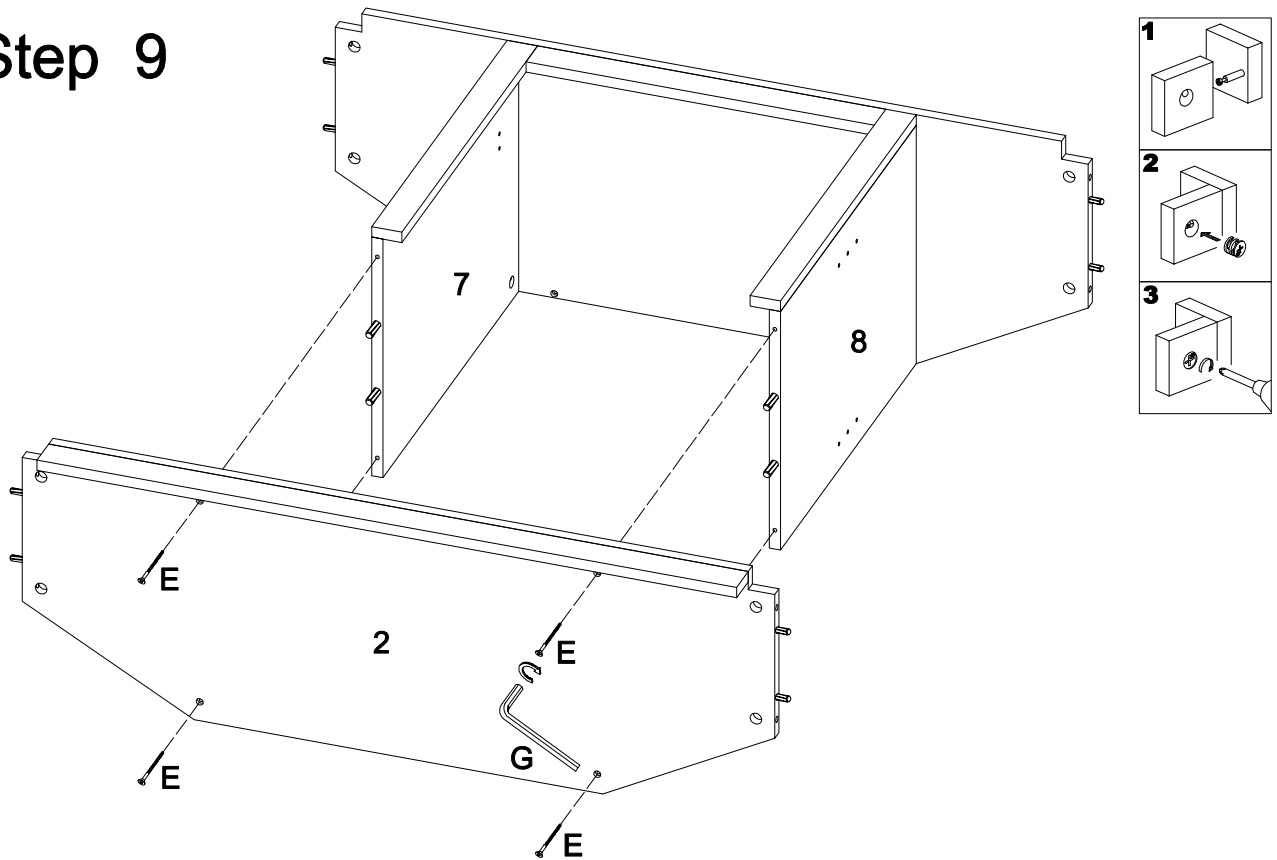
# Step 8



Attach cam locks (C) to parts (7) and (8) to connect to part (3) as shown in the diagram.

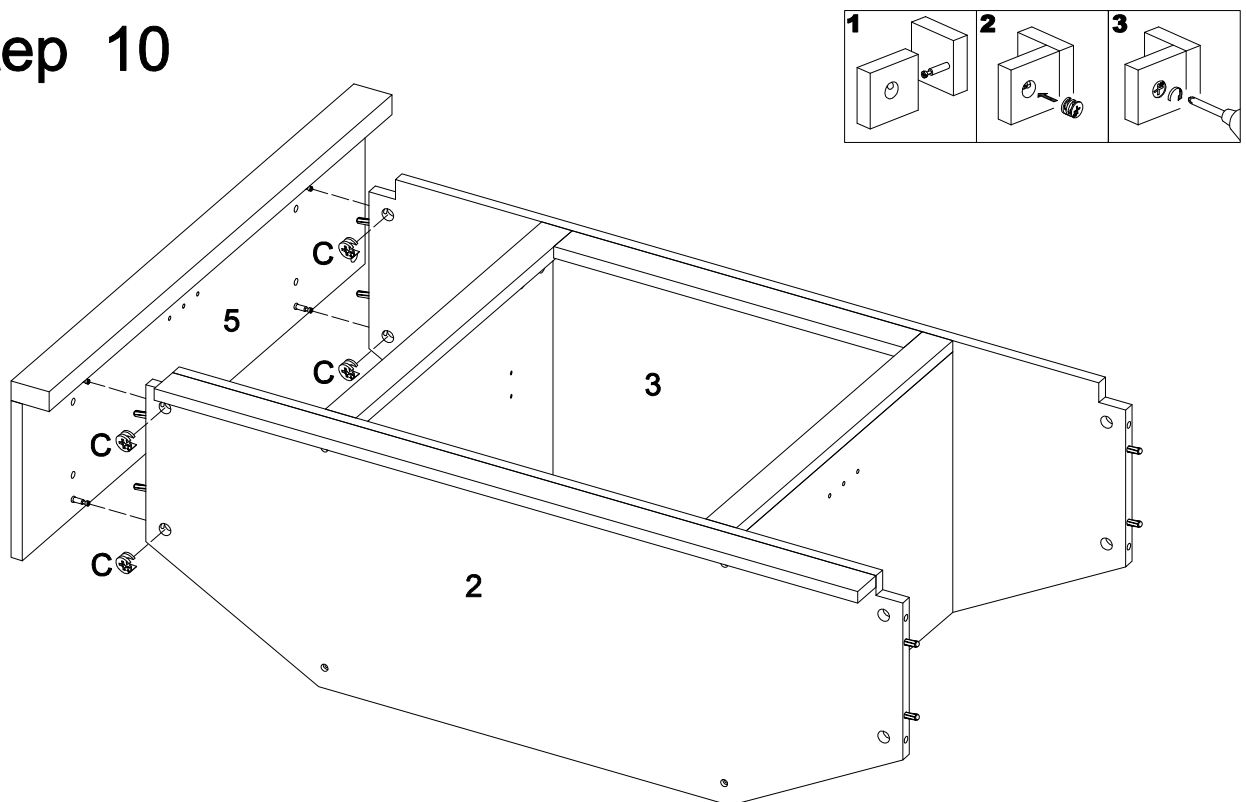


## Step 9



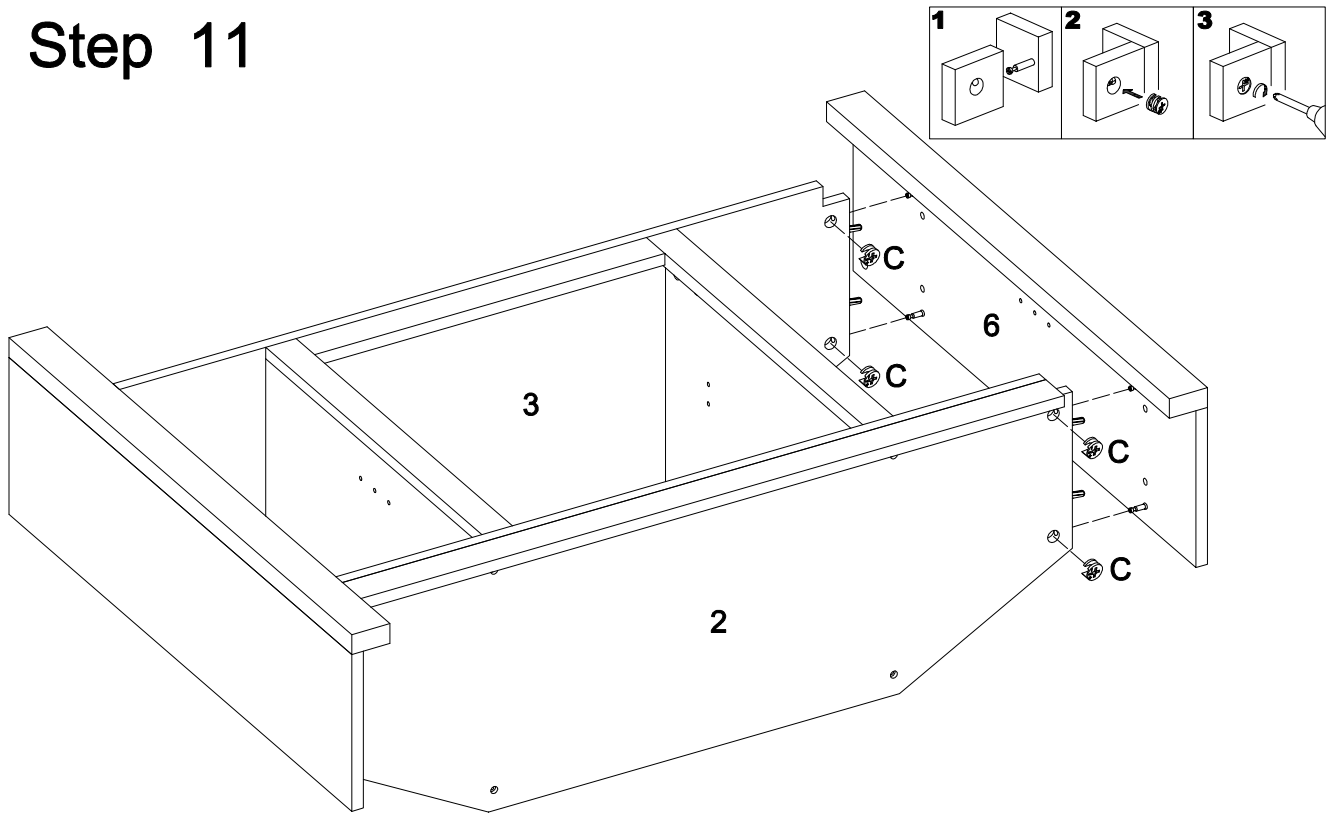
Secure part (2) to frame assembly using bolts (E) as shown in the diagram.

## Step 10



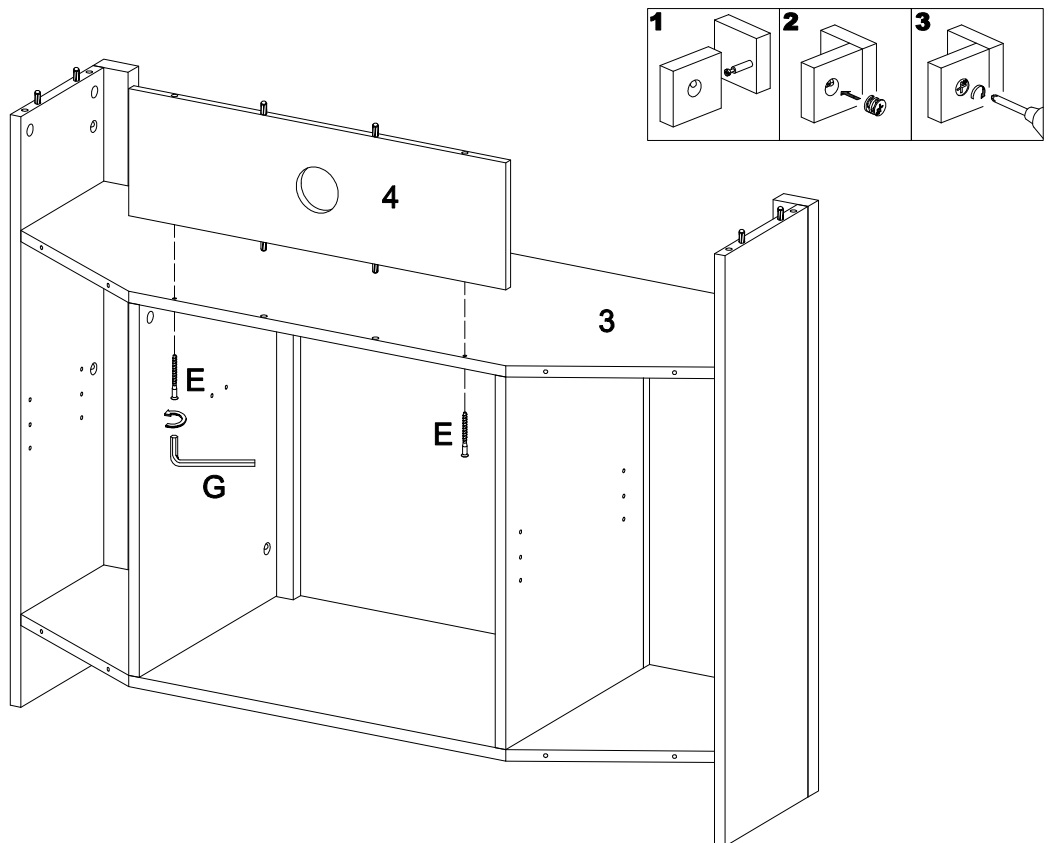
Use cam bolts (C) to connect part (5) to assembled frame.

# Step 11



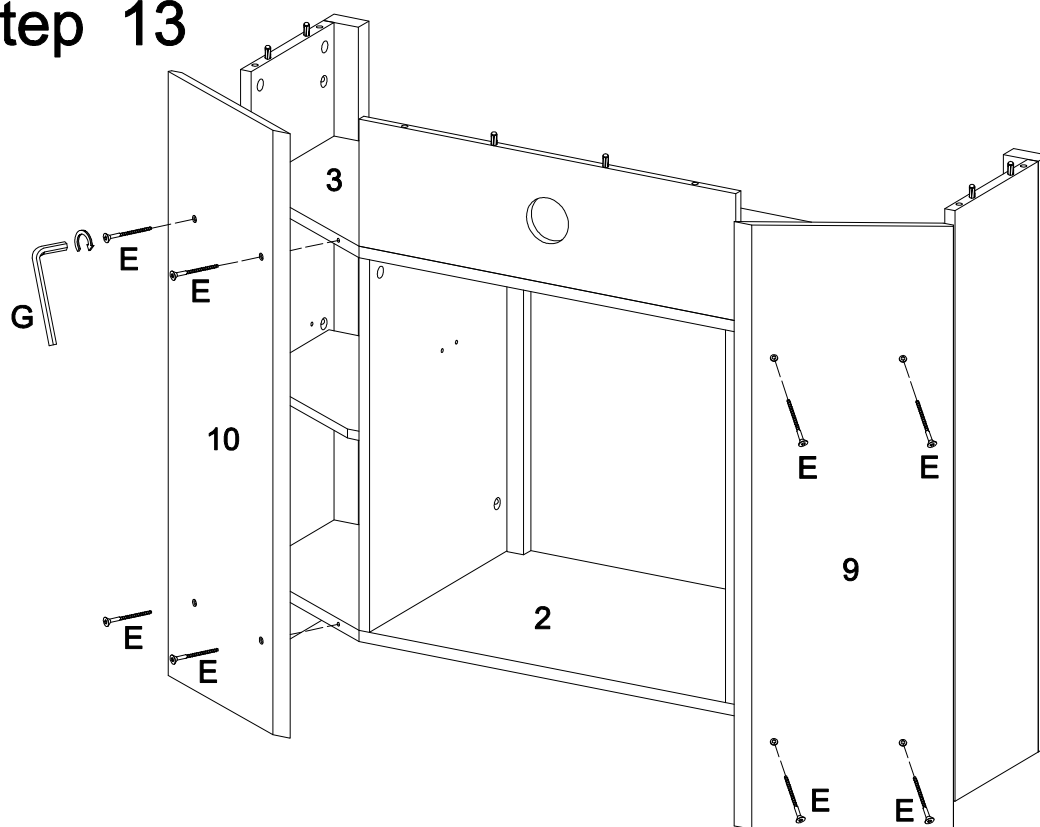
Use cam bolts (C) to connect part (6) to assembled frame.

# Step 12



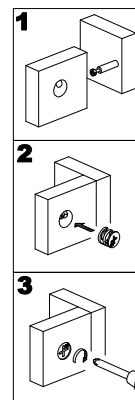
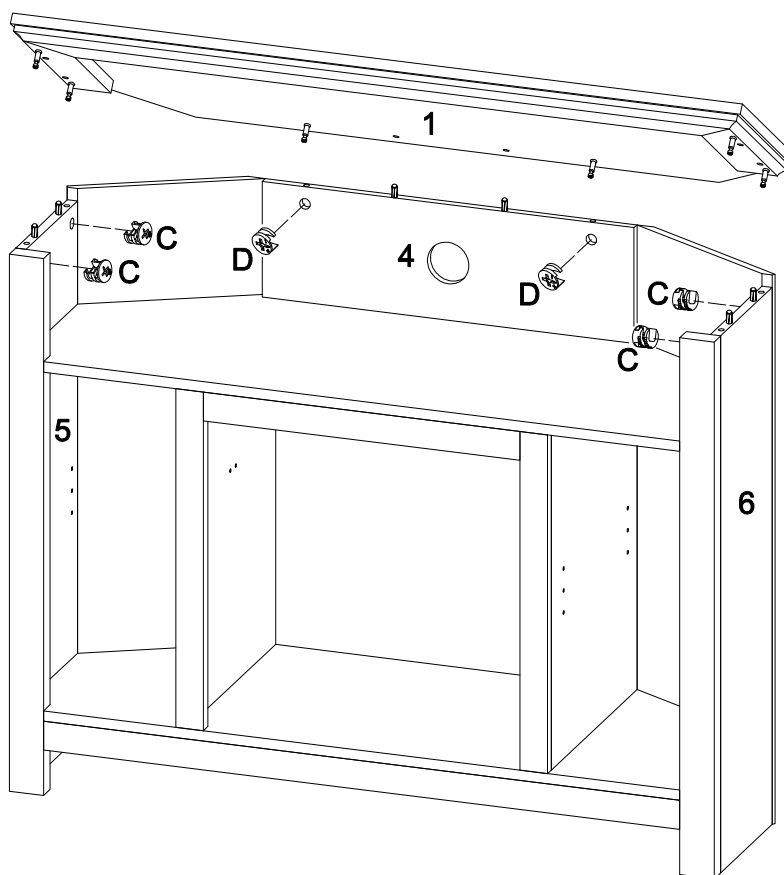
Secure part (4) to frame assembly using bolts (E) as shown in the diagram.

## Step 13



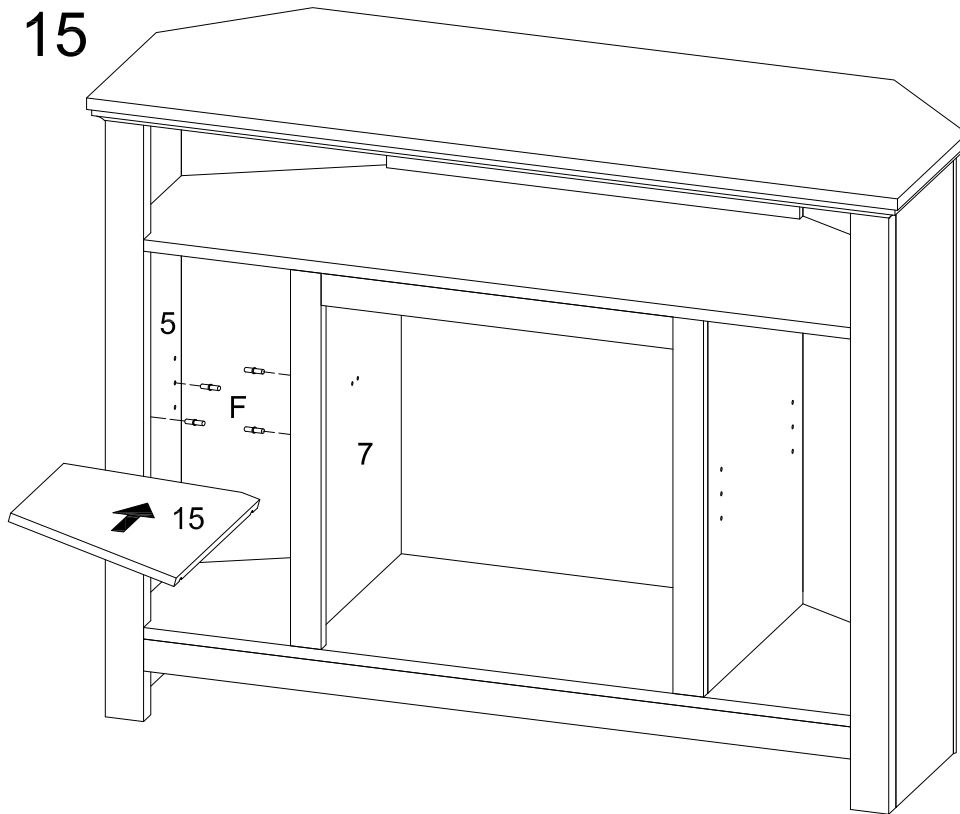
Attach parts (9) and (10) to frame assembly using bolts (E) as shown in the diagram.

## Step 14



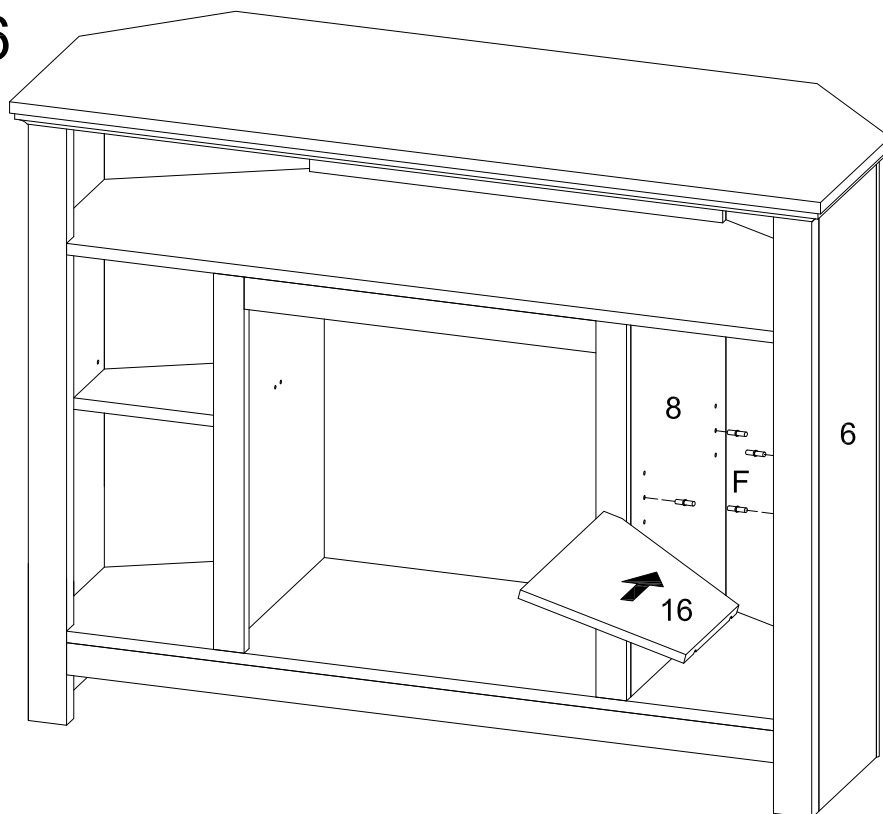
Secure top panel (1) to frame using cam locks (C) and (D) as shown in the diagram.

## Step 15



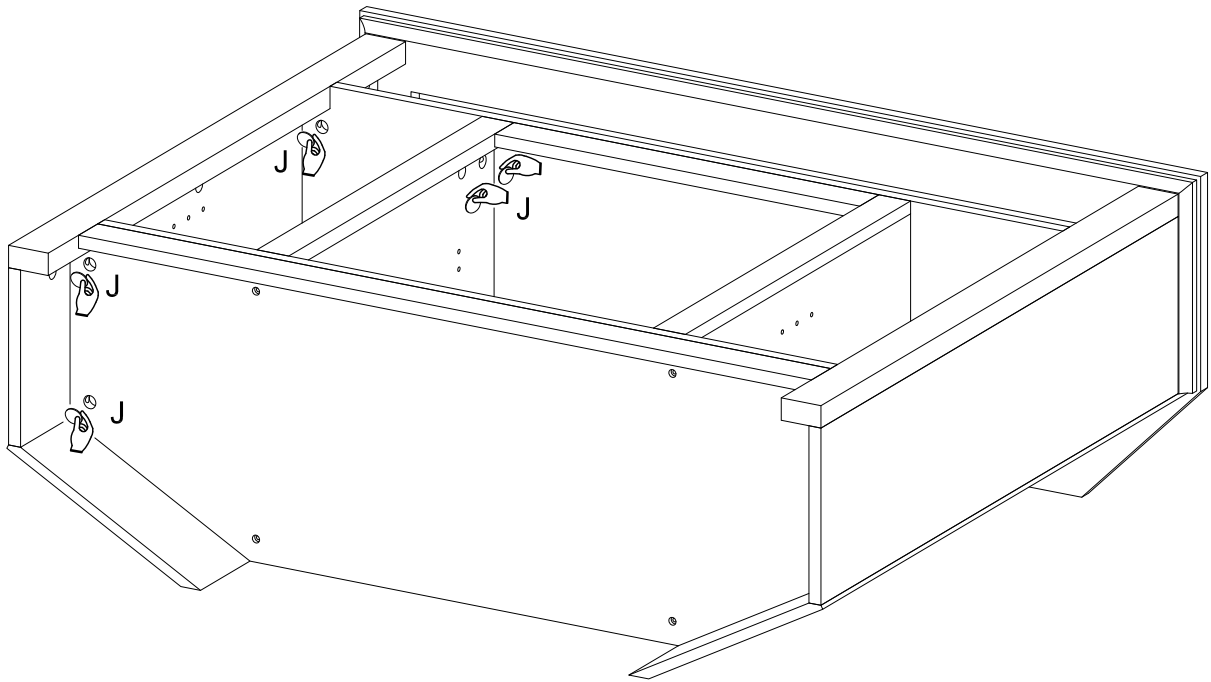
Insert shelf supports (F) and place shelf (15) carefully.

## Step 16



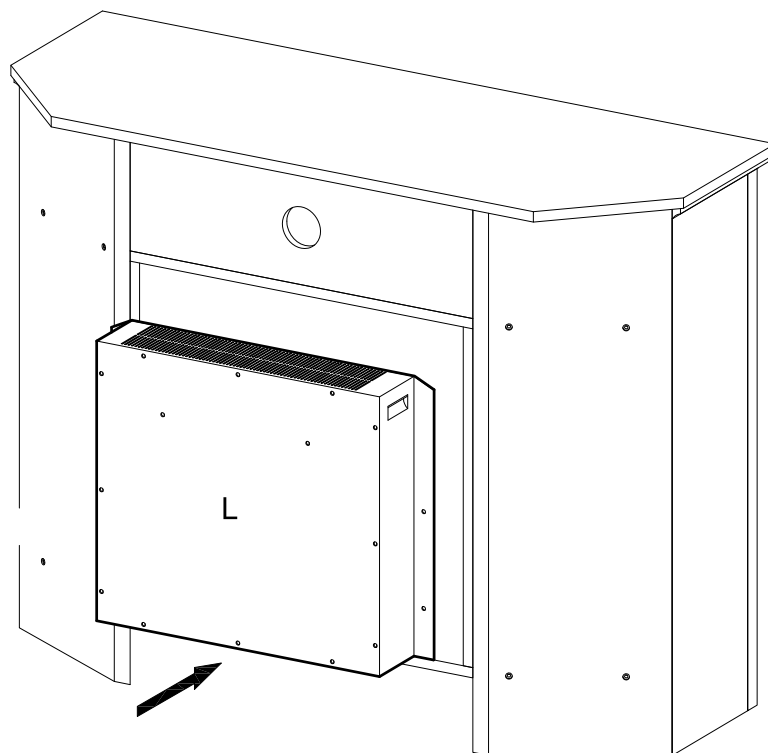
Insert shelf supports (F) and place shelf (16) carefully.

## Step 17



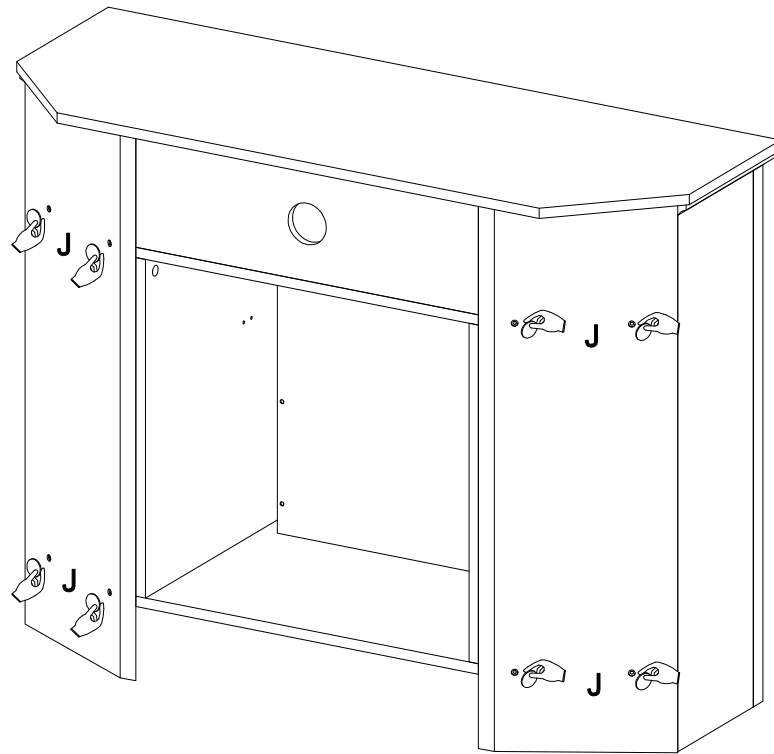
Place stickers (J) in designated areas as shown in the diagram.

## Step 18



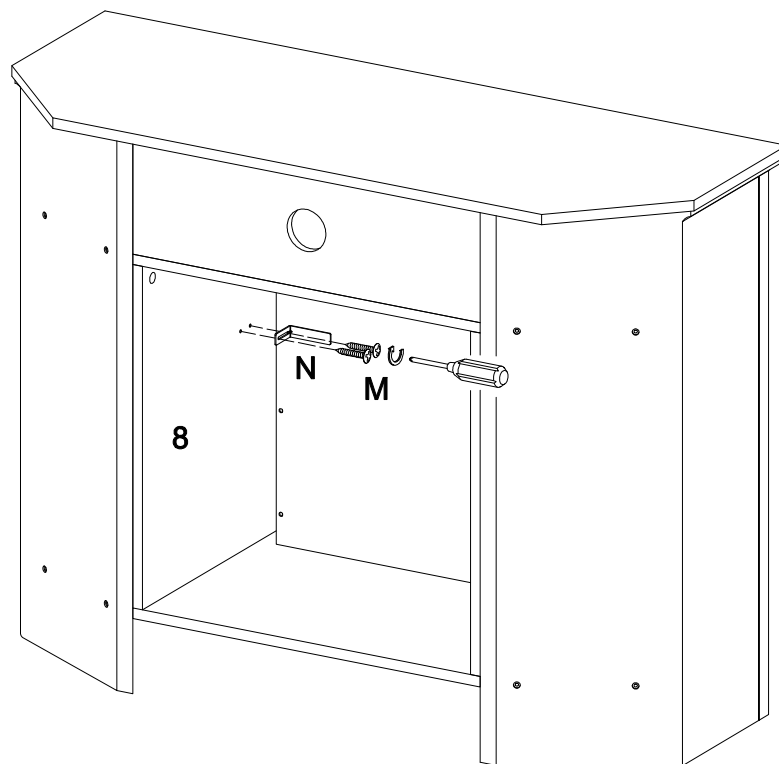
Place fireplace (L) into frame from the rear.

## Step 19



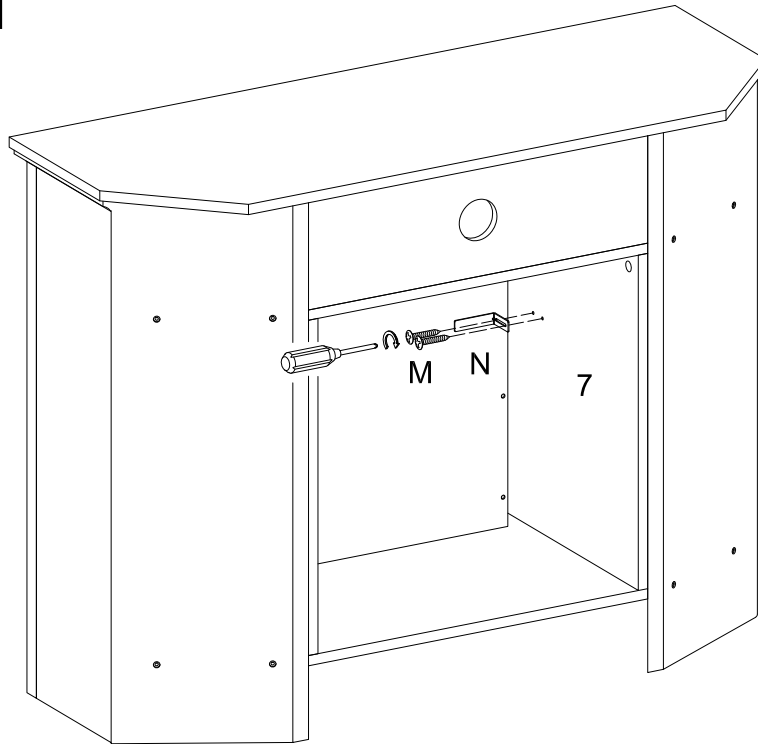
Place stickers (J) in designated areas as shown in the diagram.

## Step 20



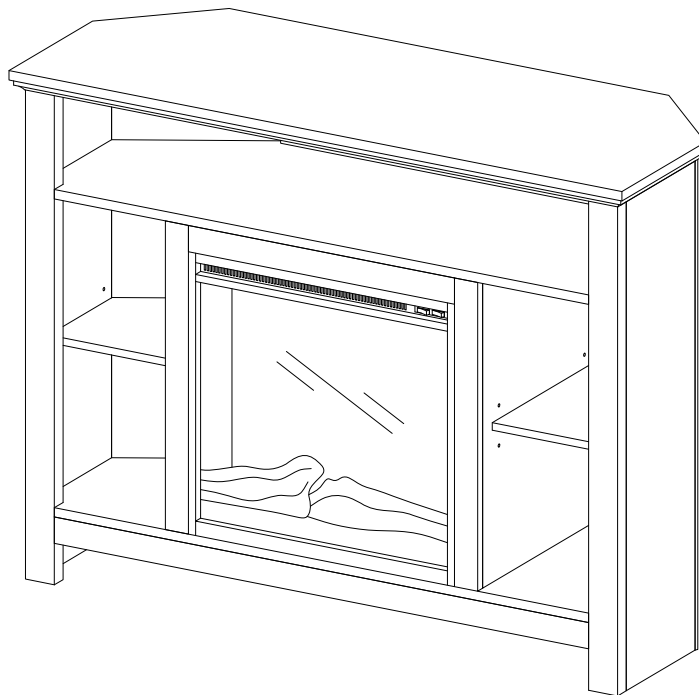
Be sure the fire place insert is positioned all the way forward in place. Use screw (M) to secure the L-shape bracket (N) to the side panels (8). Position the adjustable L-bracket to hold the Fireplace insert in place.

## Step 21



Be sure the fire place insert is positioned all the way forward in place. Use screw (M) to secure the L-shape bracket (N) to the side panels (7). Position the adjustable L-bracket to hold the Fireplace insert in place.

## Step 22



## Final Assembly