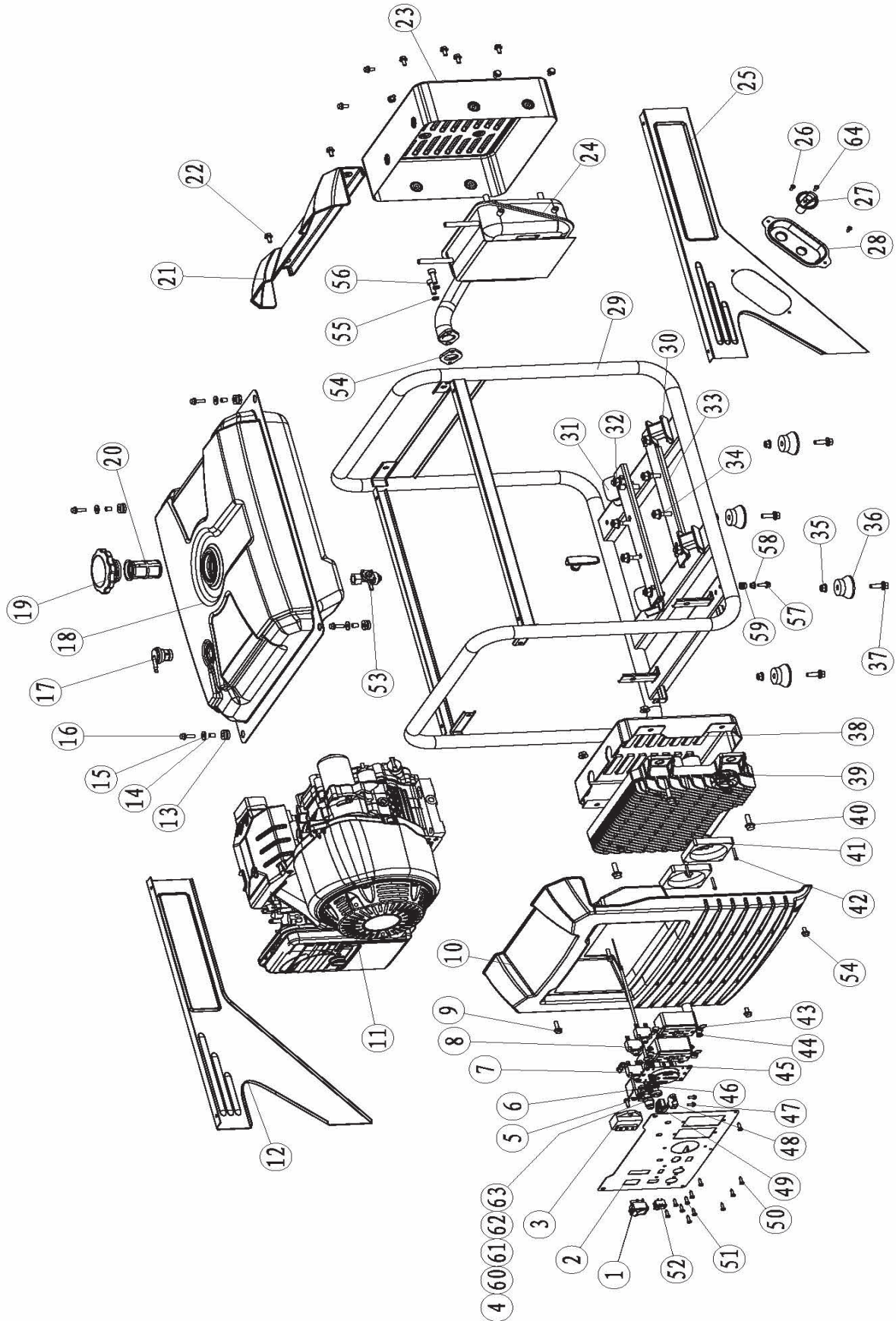


PARTS DIAGRAM

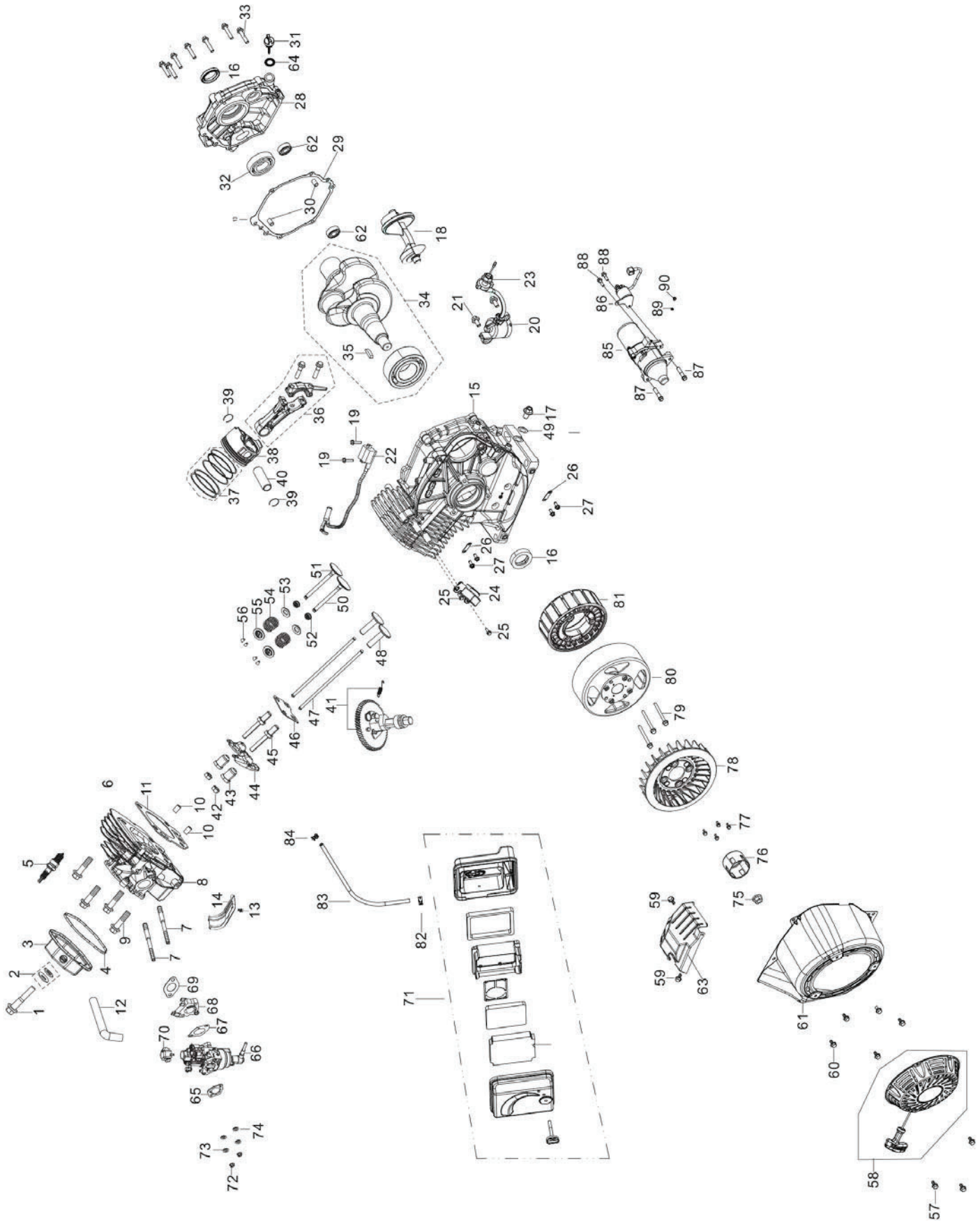


PARTS LIST

NO.	PART NO.	DESCRIPTION	QTY
1	22030427001000	Rocker Switch	1
2	22010427001120	Panel	1
3	22030423003000	Ignitor	1
4	3X190457501000	Gas Inlet Connector	1
5	B13080501227	Assemble Screw M5*16	1
6	25040422003001	USB 5V/2A	1
7	B28421080010	Circuit Protector 8A	1
8	B28421200010	Circuit Protector 20A	2
9	B01310602067	Flange Bolt M6*20	2
10	32010427001000	Panel Bed	1
11	101290330001000	Engine 420CC	1
12	36030427001750	Decorative Laminates	1
13	31010412600000	Fuel Tank Rubber	4
14	31020412600010	Fuel Tank Rubber Hose	4
15	B07020006047	Washer Φ6	4
16	B01310602067	Flange Bolt M6*20	4
17	21010412900001	Oil Overflow Valve	1
18	21010427001750	Fuel Tank	1
19	21050412600000	Carb Tank Cap	1
20	31040412600001	Filtering Net	1
21	36040427001000	Decorative Tank covers	1
22	B01310601066	Flange Bolt M6*10	12
23	35010427001120	Muffler Cover	1
24	25010427001000	Muffler	1
25	36020427001750	Handle Mounting Plate	1
26	B02210401227	Screw M4*12	2
27	34050427001120	Decorative Circle	1
28	31010427001000	Recoil Handle Ornament Comp.	1
29	26010427001120	Frame	1
30	26030427001000	Shockproof Small Mounting Feet	2
31	26020427001000	Shockproof Big Mounting Feet	2
32	B04291012546	Flange Nut M10*1.25	4
33	36010427001120	Engine Mounting Plate	2
34	B01310804066	Flange Bolt M8*40	4
35	B04280800046	Flange Nut M8	12

NO.	PART NO.	DESCRIPTION	QTY
36	36041043201800	Shock Pad	4
37	B01310802066	Flange Bolt M8*40	4
38	33010427001000	Inverter Cover	1
39	20420457001010	Inverter	1
40	B01310802066	Flange Bolt M8*20	4
41	20430427001000	DC Fun	2
42	B02210402526	Screw M4*25	4
43	22030457501000	GFCI	2
44	B04280400047	Flange Nut M4	8
45	22220422401000	Receptacle (20A-125V)(GFCI)	2
46	22080422003000	Receptacle NEMA 14-50)	1
47	B13080400827	Assemble Screw M4*8	6
48	32030427001000	EC5 Plug	1
49	22060411500000	T-type Socket	1
50	B02210401227	Screw M4*25	8
51	B05210401607	Screw ST4*16	3
52	22030410900000	Switch	1
53	21020427001000	Fuel Tank	1
54	35010416500000	Muffler Gasket	1
55	B07000008045	Spring Washer	2
56	B02040802091	Hexagon Socket Screw M8*20	2
57	B01310601628	Flange Bolt M6*16	1
58	B04010600048	Nut M6	1
59	31780422401020	Knurled Nut	1
60	35020452005010	Fixed Support	1
61	3X200457501000	Nut 1/4-19	1
62	3X220457501000	Rubber Hose 3/8"	0.4
63	3X230457501000	Hold Hoop	2
64	30040422001670	Screw M4*11	1

ENGINE PARTS DIAGRAM



PARTS DIAGRAM

NO.	PART NO.	DESCRIPTION	QTY
1	32020127002000	Bolt	1
2	32040127002000	Clamp	1
3	32030127002000	Spacer, Seal	1
4	22030128001020	Cylinder head cover	1
5	32180127002000	Washer, Cylinder Head	1
6	22060127002000	Spark Plug	1
7	32050127002000	Bolt, Intake Pipe	2
8	22020129001000	Cylinder Head Assembly	1
9	32010127002000	Bolt, Cylinder Head	4
10	31080127002000	Dowel Pin	2
11	22030129001000	Gasket, Cylinder Head	1
12	37130127002000	Breather Tube	1
13	B0133060126B	Flange Bolt M6*12	1
14	32060127002000	Cowling	1
15	21010129029000	Crankcase assy.	1
16	21020127002001	Oil Seal	2
17	31150127002001	Bolt, Drain	1
18	34010127002000	Balance Shaft	1
19	B01330502065	Flange Bolt M5*20	2
20	21050127002000	Oil Level Sensor	1
21	B0133060166B	Flange Bolt M6*16	2
22	24010423003000	Ignition Coil	1
23	B04281015026	Flange Nut M10*1.5	1
24	23050427000000	Trigger	1
25	B0131060106B	Flange Bolt M6*10	2
26	31010129029000	Magneto Wiring Clamp	2
27	B0133060126B	Flange Bolt M6*12	4
28	31010127001000	Crankcase Cover	1
29	31020127002000	Gasket, Crankcase	1
30	31140127002000	Dowel Pin	2
31	31040112001000	Oil Dipstick	1
32	B12016020700	Deep Groove Ball Bearing 6207	1
33	B0133080406B	Flange Bolt M8*40	7
34	24020129002002	Crankshaft	1
35	34030127002000	Woodruff Key	1
36	24060129001000	Connecting Rod Assembly	1
37	24040129001000	Piston Ring Assembly	1
38	34020129001000	Piston	1
39	34130127002000	Circlip, Piston Pin	2
40	34120127002000	Pin, Piston	1
41	23020129001000	Camshaft	1
42	33100124001000	Adjusting, Nut, Valve Clearance	2
43	33050127002000	Button head, Arm	2
44	33040127002000	Arm	2
45	33020127002000	Adjusting Stud, Valve Clearance	2

NO.	PART NO.	DESCRIPTION	QTY
46	23060127002000	Guide Plate, Connecting Stud	1
47	23040127002000	Rod, Connecting	2
48	33010127002000	Stud, Connecting	2
49	31160127002001	Spacer, Drain	1
50	33020129001001	Intake Valve	1
51	33010129001001	Exhaust Valve	1
52	23050127002000	Oil Seal, Intake valve	1
53	33070127002000	Lower Retainer	2
54	33030127002001	Valve Spring	2
55	33080127002000	Lower Retainer	2
56	33090127002000	Lock Clamp	4
57	B0133060086B	Flange Bolt M6*8	3
58	26030127002091	Starter Cover Assy.	1
59	B0133060126B	Flange Bolt M6*12	2
60	B01310601266	Flange Bolt M6*12	5
61	36010129029000	Cowling Assy., cylinder	1
62	B12016020200	Deep Groove Ball Bearing 6202	2
63	26050127002000	Cylinder Board Shroud	1
64	31050112001000	Sealing Pad	2
65	37020126002000	Air Cleaner Gasket	2
66	27030129002004	Carburetor Assy.	1
67	37020128001000	Carburetor Gasket	1
68	37010128001000	Carburetor Insulator Plate	1
69	32070127002000	Spacer, Intake Pipe	1
70	32050422003800	Cap, Stepping Motor	1
71	27050129002000	Air Filter Assembly	1
72	B04280600026	Flange Nut M6	2
73	B07000006046	Spring Washer 6	2
74	B07010006046	Washer 6	2
75	34020127002000	Flywheel Nut	1
76	36010127002000	Starter Pulley	1
77	B0133060126B	Flange Bolt M6*12	4
78	36020129029000	Impeller	1
79	B01310607066	Flange Bolt M6*70	3
80	20410457001000	Rotor	1
81	20400457001000	Stator	1
82	37200121001000	Clamp, Fuel Line, φ8	1
83	37530121001000	Hose φ5×φ8*400	1
84	37060132018000	Clamp, Fuel Line, φ7	1
85	21070129029000	Motor	1
86	28030128004000	Relay Comp.	1
87	B0133080356B	Flange Bolt M8*35	2
88	B01330502065	Bolt M5*20	2
89	B07000004001	SPRING WASHER 4	1
90	B02210400665	SCREW M4*6	1

WIRING DIAGRAM

