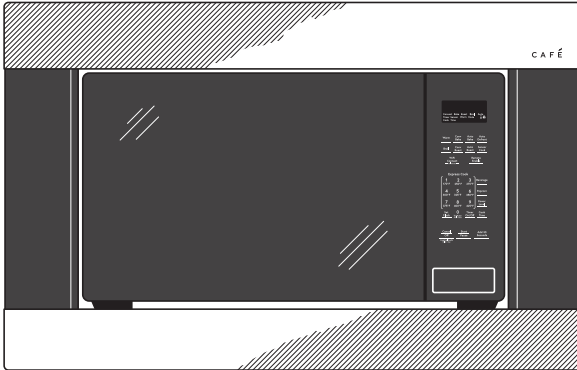


# Café™ 1.5 Cu. Ft. Countertop Convection/Microwave Oven

CEB515M2NS5

# CAFÉ

DISTINCT BY DESIGN™



## FEATURES & BENEFITS

Enjoy total control in the kitchen and beyond - Control your oven with your smart device or simply your voice using WiFi Connect

Achieve gourmet results with just a scan - Delegate simple cooking tasks to family members with Scan-to-Cook Technology. With just the scan of a barcode, the microwave automatically adjusts cook settings based on package instructions.

A microwave that's as versatile as you are - Achieve crisp, golden brown results with a convection cooking setting and a special rack that allows air to circulate around foods for even heat distribution

Say goodbye to guesswork - Enjoy consistently delicious results with sensor cooking controls that automatically adjust the time and power

Get that just-cooked quality anytime - Even late-arriving guests can enjoy delicious results thanks to a warming oven that keeps foods ready to serve

Let the cooking take care of itself - Take the guesswork out of preparing your favorite foods with an auto bake/auto roast feature that uses preprogrammed cooking times and temperatures

Enjoy design flexibility in your kitchen - Create more room on the countertop for meal prep with a built-in capable microwave and matching trim kit

Nice and roomy - Entertain with confidence with 1.5 cu. ft. capacity that can handle more of your favorite foods

## APPEARANCE

|                     |  |
|---------------------|--|
| Built-In Capability | Optional 27" Built-In Kit CX152M2NSS<br>Optional 30" Built-In Kit CX153M2NSS |
| Case Color          | Black  |
| Color Appearance    | Stainless Steel  |
| Door Color          | Stainless Steel  |
| Installation        | Countertop; Built-In   |

## FEATURES

|                                       |  |
|---------------------------------------|--|
| Cooking System                        | Turntable  |
| Cooking Technology                    | Microwave/Convection   |
| Electronic Digital Display with Clock | Yes (LED)  |
| Express Cook                          | Instant-On 1-6   |
| Instant On Controls                   | Yes  |
| Microwave Watts (IEC-705)             | 1000W  |
| Power Levels                          | 10   |
| Rack Type                             | 2 Removable Oven Racks - Pedestal  |
| Sound Volume Control                  | On/Off   |
| Timer (On/Off)                        | Yes  |
| Turntable                             | Glass Recessed   |
| Turntable Size                        | 13.5 in  |
| Scrolling Display with Help           | Yes  |
| Convection Cooking Controls           | Bake; Roast  |
| Microwave Sensor Cooking Controls     | Popcorn; Beverage; Reheat; Cook  |
|                                       | Control Lock; Cook Time; Clock; Timer; Add 30 Seconds; Mute; Warm; Convection Bake; Convection Roast; Combination Auto Cook; Auto Bake; Auto Roast; Auto & Time Defrost; Display On/Off; Broil |
| Control Features                      |  |
| Microwave Oven Interior               | Stainless Steel  |
| Combination Cooking Controls          | Combination Cook   |

## CAPACITY

|                             |             |
|-----------------------------|-------------|
| Total Capacity (cubic feet) | 1.5 cu ft   |
| Unit Capacity               | Family-Size |

## TECHNICAL DETAILS

|                                  |            |
|----------------------------------|------------|
| Electrical Input - 120V Amperage | 13.0       |
| Electrical Input - 120V Watts    | 1500       |
| Frequency (MHz)                  | 2450       |
| Volts/Hertz                      | 120V; 60Hz |

## WEIGHTS & DIMENSIONS

|                             |                          |
|-----------------------------|--------------------------|
| Approximate Shipping Weight | 44 lb                    |
| Cavity (W x H x D)          | 15-1/2 x 10-7/8 x 15-1/2 |
| Depth with Door Open 90°    | 36-7/16 in               |
| Net Weight                  | 38 lb                    |
| Overall Depth               | 20 in                    |
| Overall Height              | 13 in                    |
| Overall Width               | 21-3/4 in                |

## WARRANTY

|                |                                       |
|----------------|---------------------------------------|
| Parts Warranty | Limited 1-year entire appliance       |
| Labor Warranty | Limited 1-year entire appliance       |
| Warranty Notes | See written warranty for full details |

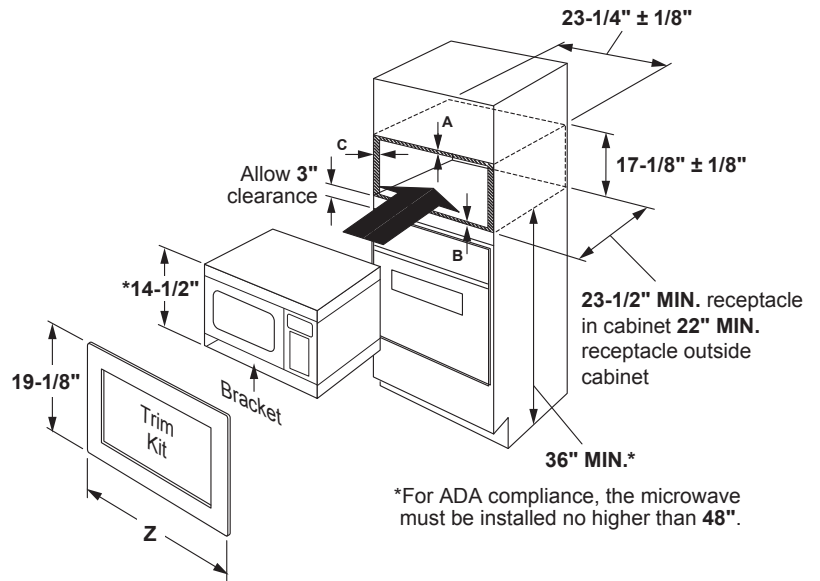
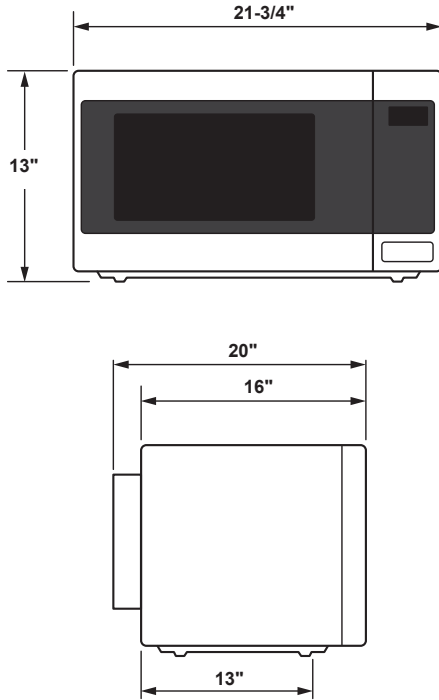
# Café™ 1.5 Cu. Ft. Countertop Convection/Microwave Oven

CEB515M2NS5

# CAFÉ

DISTINCT BY DESIGN™

## DIMENSIONS AND INSTALLATION INFORMATION



\*For ADA compliance, the microwave must be installed no higher than 48".

### EXTERIOR DIMENSIONS (IN INCHES)

|                                       |         |
|---------------------------------------|---------|
| Height                                | 13"     |
| Width                                 | 21-3/4" |
| Depth                                 | 16"     |
| Depth including bumpout               | 20"     |
| Depth from back of case to front legs | 13"     |

### CABINET OVERLAP REQUIREMENTS

|  | 30"     | 27"    |
|--|---------|--------|
| A - Overlap of trim kit over top of cabinet    | 1"      | 1"     |
| B - Overlap of trim kit over bottom of cabinet | 1"      | 1"     |
| C - Overlap of trim kit over sides of cabinet  | 3-5/16" | 1-7/8" |

**NOTE:** Allow an additional inch of clearance beyond trim kit frame on all sides.

### OPTIONAL ACCESSORY TRIM KITS (AVAILABLE AT ADDITIONAL COST)

For a custom built-in appearance, these kits allow built-in installation of the countertop microwave oven into a wall or cabinet alone and are U.L. approved for installation over a GE single electric wall oven. These kits should not be installed over a gas wall oven.

**Note:** 120V, 60-cycle, grounded power receptacle location optional on back within cabinet opening.

**Installation Information:** This information is not intended to be used for installing unit described. Before installing, consult installation instructions packed with product/kit for current dimensional data.

\*Height of product when installed with kit rail and bottom duct: 14-1/2"

| ACCESSORY TRIM KITS | "Z"     | MAX HEIGHT | TRIM KITS  |
|---------------------|---------|------------|------------|
| 30" Deluxe          | 29-3/4" | 19-1/8"    | JX9153SJSS |
| 27" Deluxe          | 26-7/8" | 19-1/8"    | JX9152SJSS |