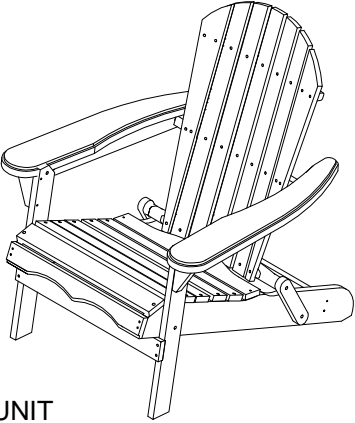
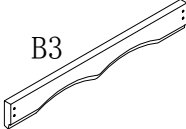
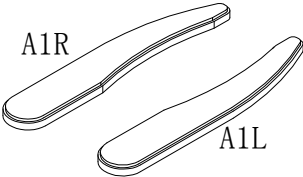
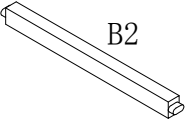
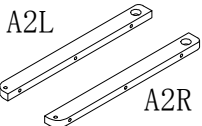

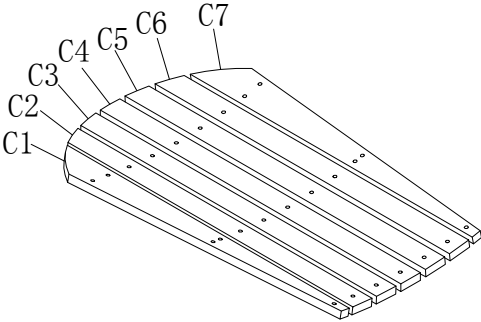
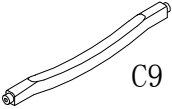
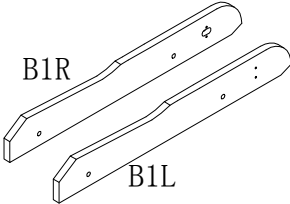
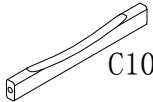
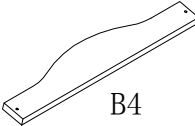
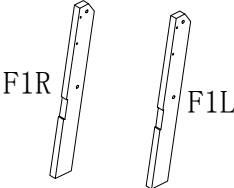
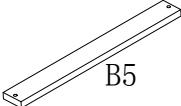
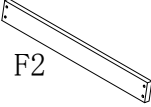


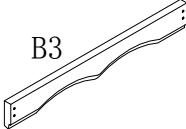
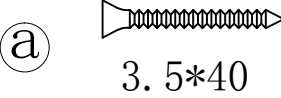
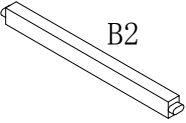
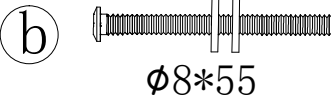

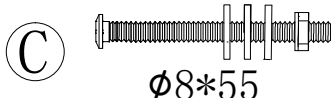
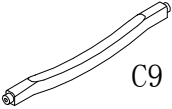
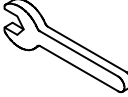
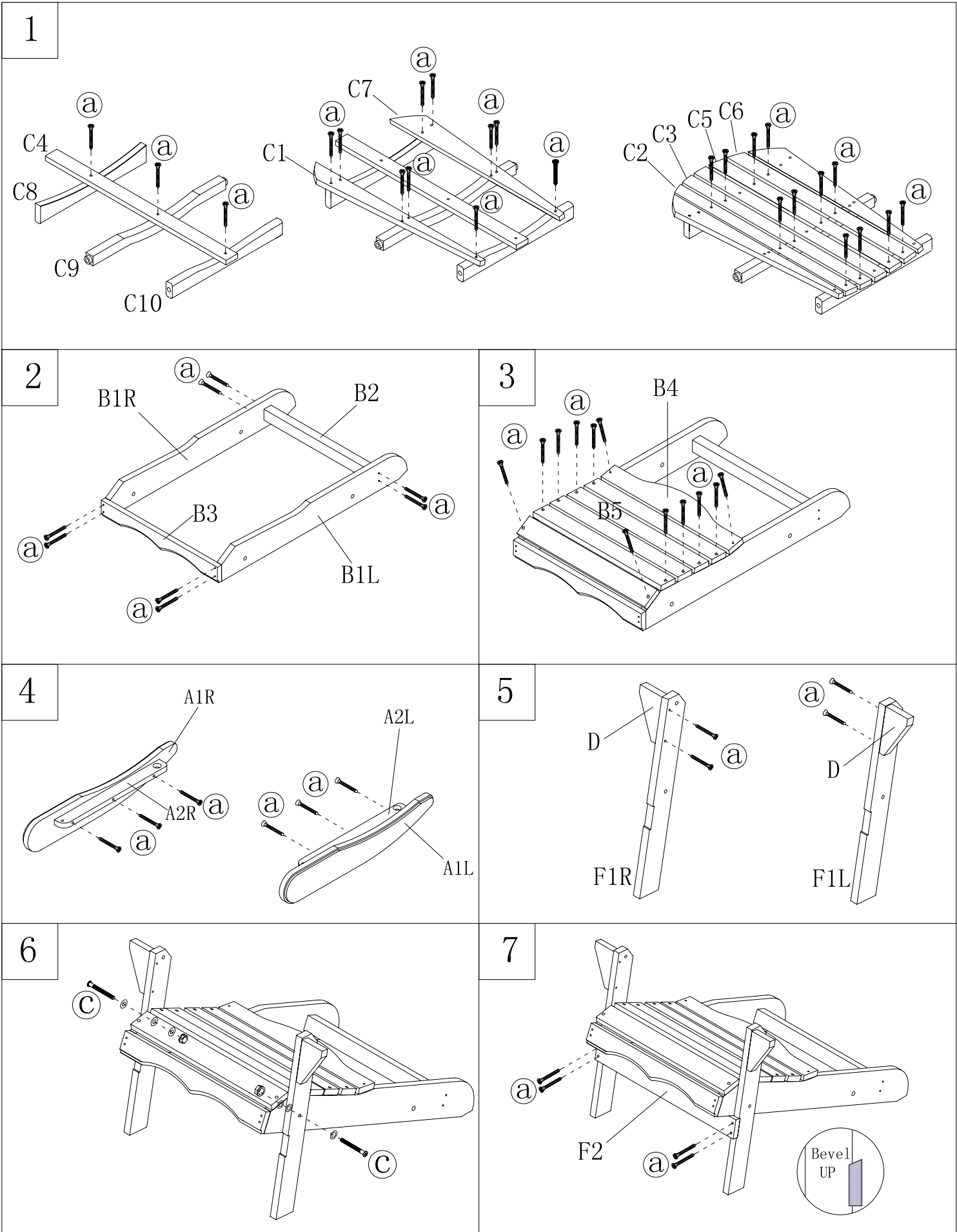
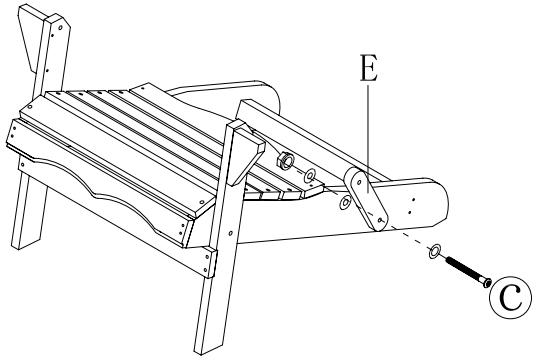


ITEM NO: BAC-001 BATCH NO: BSDN-AX
ADIRONDACK CHAIR ASSEMBLE INSTRUCTION

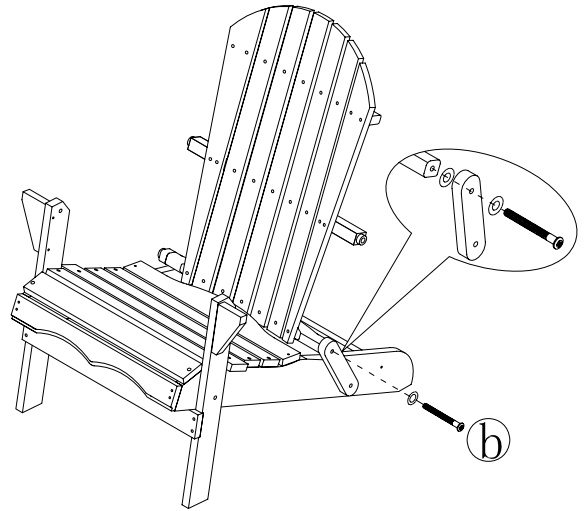
 <p>COMPLETED UNIT</p>	 <p>B3</p>	<p>1pc</p>
 <p>A1R A1L</p>	 <p>B2</p>	<p>1pc</p>
 <p>A2L A2R</p>	 <p>C8</p>	<p>1pc</p>
 <p>C1 C2 C3 C4 C5 C6 C7</p>	 <p>C9</p>	<p>1pc</p>
 <p>B1R B1L</p>	 <p>C10</p>	<p>1pc</p>
 <p>B4</p>	 <p>F1R F1L</p>	<p>2pcs</p>
 <p>B5</p>	 <p>F2</p>	<p>1pc</p>
 <p>D</p>	 <p>E</p>	<p>2pcs</p>
 <p>B3</p>	 <p>(a) 3.5*40</p>	<p>59pcs+3</p>
 <p>B2</p>	 <p>(b) $\phi 8*55$</p>	<p>4pcs+1</p>
 <p>C8</p>	 <p>(c) $\phi 8*55$</p>	<p>6pcs+1</p>
 <p>C9</p>		<p>1pc</p>



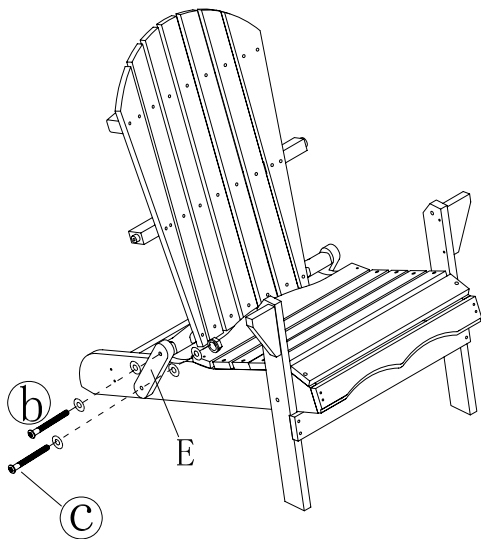
8



9



10



11

