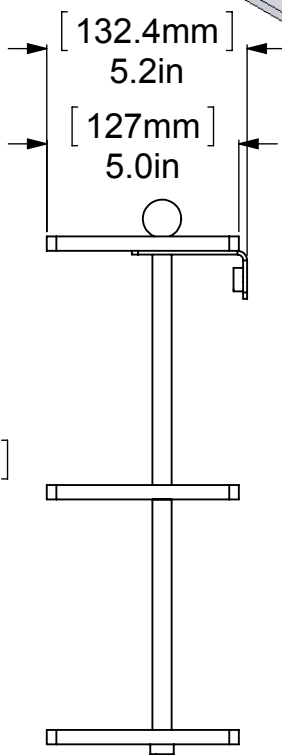
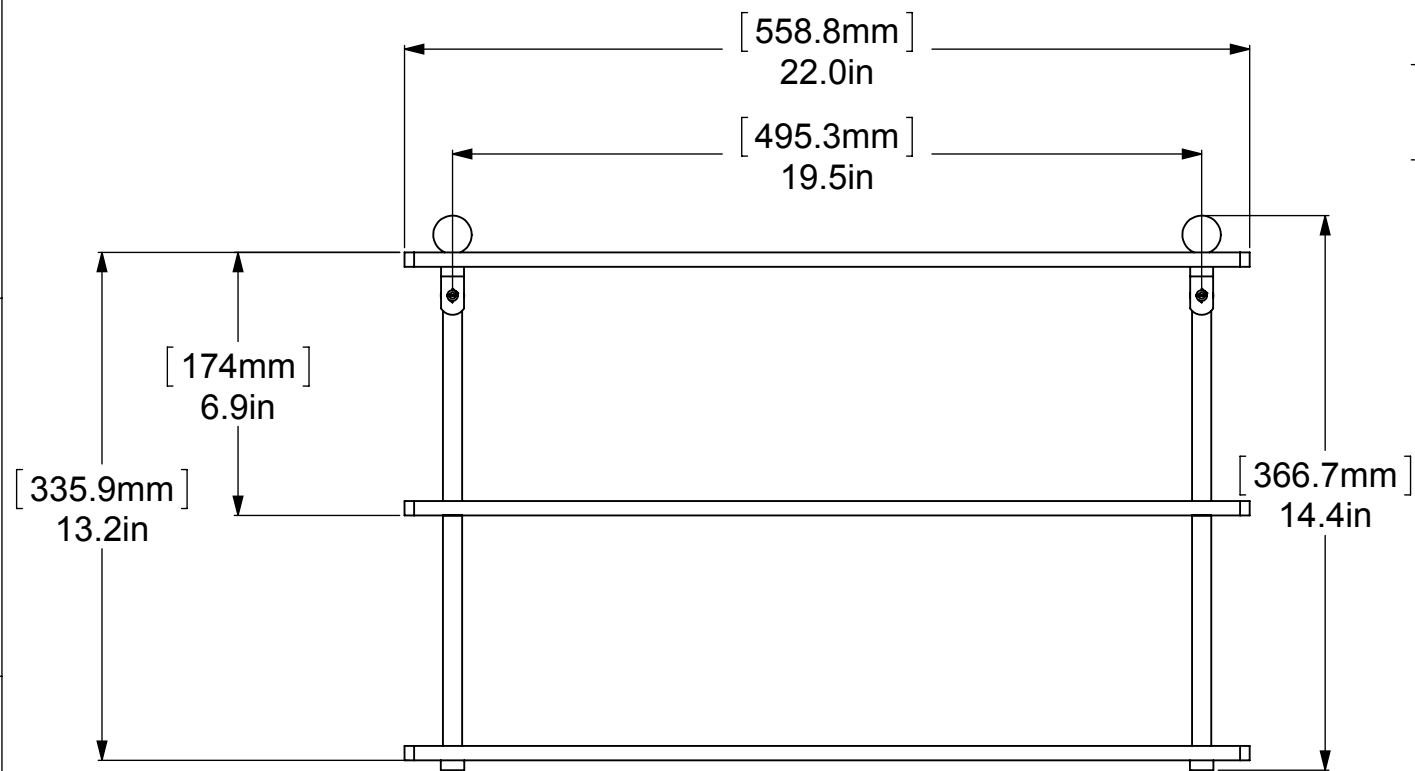
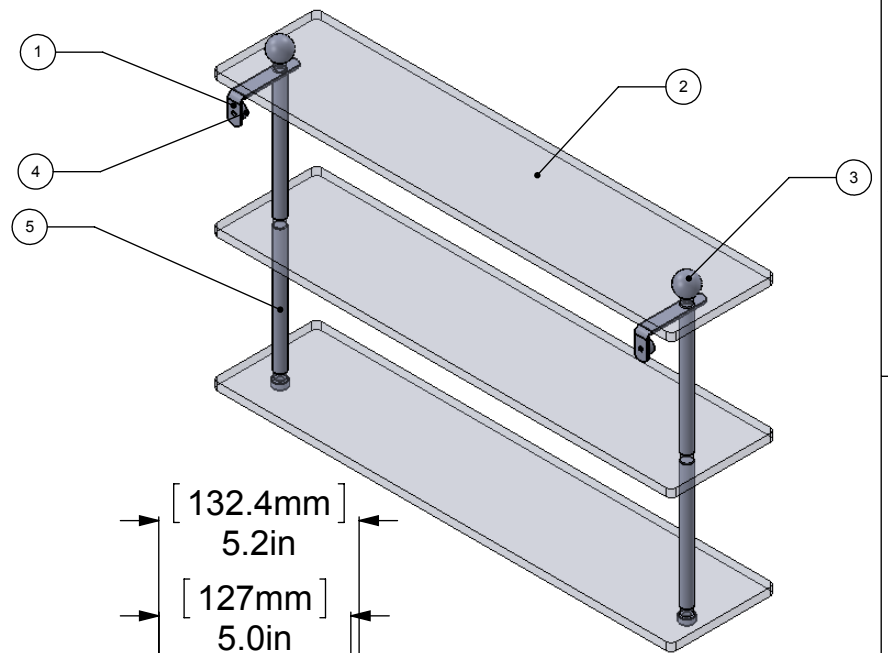


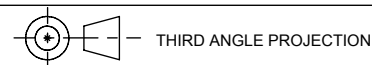
ITEM NO.	P/N	Description	QTY.
1	BKSH-2AD	BRACKET	2
2	GLRT-22	GLASS	3
3	BL1T-34	END BALL	2
4	CARD-58	END CAP	4
5	TU12-6	TUBE SUPPORT	4



UNLESS OTHERWISE STATED

.X	±.3mm
.XX	±.15mm
.XXX	±.008mm

COPYRIGHT © Allied Brass 2016



DRAWN	6/22/2016	I.M
CHECKED	6/22/2016	P.D
APPROVED	6/22/2016	R.A

MATERIAL:	BRASS
DESCRIPTION:	SHELF



FINISH	TBD
QUANTITY	TBD
DRAWING No.	PR-5-22
REV	0
SCALE	1:5
SHEET: 01	A4