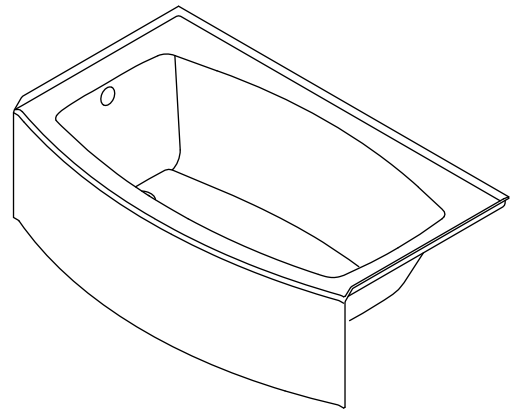


Features

- Acrylic
- Bask™ heated lumbar support with three temperature settings
- Curved integral apron with integral tile flange
- Textured bottom surface
- Alcove installation
- Left or right drain
- Install footprint: 36" (914 mm) width at center of apron
- 60" (1524 mm) x 30" (762 mm) x 17" (432 mm)

5' CURVED APRON BATH WITH BASK™ HEATED SURFACE **K-1118-LAW** ALSO K-1118-RAW



Codes/Standards Applicable

Specified model meets or exceeds the following:

- ASTM E162
- ASTM E662
- CSA B45.5/IAPMO Z124
- UL 1795

Colors/Finishes

- 0: White
- Other: Refer to Price Book for additional colors/finishes

Accessories

- CP: Polished Chrome
- Other: Refer to Price Book for additional colors/finishes

Specified Model

Model	Description	Colors/Finishes	
K-1118-LAW	5' Curved apron bath with Bask heated surface – left drain (shown)	<input type="checkbox"/> 0	<input type="checkbox"/> Other_____
K-1118-RAW	5' Curved apron bath with Bask heated surface – right drain	<input type="checkbox"/> 0	<input type="checkbox"/> Other_____

Recommended Accessories			
K-7213	Clearflo cable bath drain with PVC tubing OR	<input type="checkbox"/> CP	<input type="checkbox"/> Other_____
K-7214	Clearflo cable bath drain, less PVC tubing OR	<input type="checkbox"/> CP	<input type="checkbox"/> Other_____
K-7259	Clearflo brass Toe-tap bath drain	<input type="checkbox"/> CP	<input type="checkbox"/> Other_____

Product Specification

The curved apron bath shall be made of acrylic. Bath shall be 60" (1524 mm) in length, 30" (762 mm) in width, and 17" (432 mm) in height. Bath shall feature a curved integral apron with integral tile flange, and textured bottom surface. Bath shall feature Bask heated lumbar support with three temperature settings. Bath shall be for alcove installation. Bath shall be available with left or right drain. Bath shall have install footprint of 36" (914 mm) width at center of apron. Bath shall be Kohler Model K-1118-____-____.

EXPANSE®

Technical Information

Fixture*:				
Bathing well:				
Basin area, bottom	45-5/16" (1151 mm) x 25-9/16" (649 mm)			
Basin area, top	52-9/16" (1335 mm) x 28-1/16" (713 mm)			
Weight	70 lbs (32 kg)			
To overflow:				
Water depth	12-11/16" (322 mm)			
Capacity	55.6 gal (210.5 L)			
*Approximate measurements for comparison only.				
Heater:	W	V	HZ	A
	65	120	60	.5

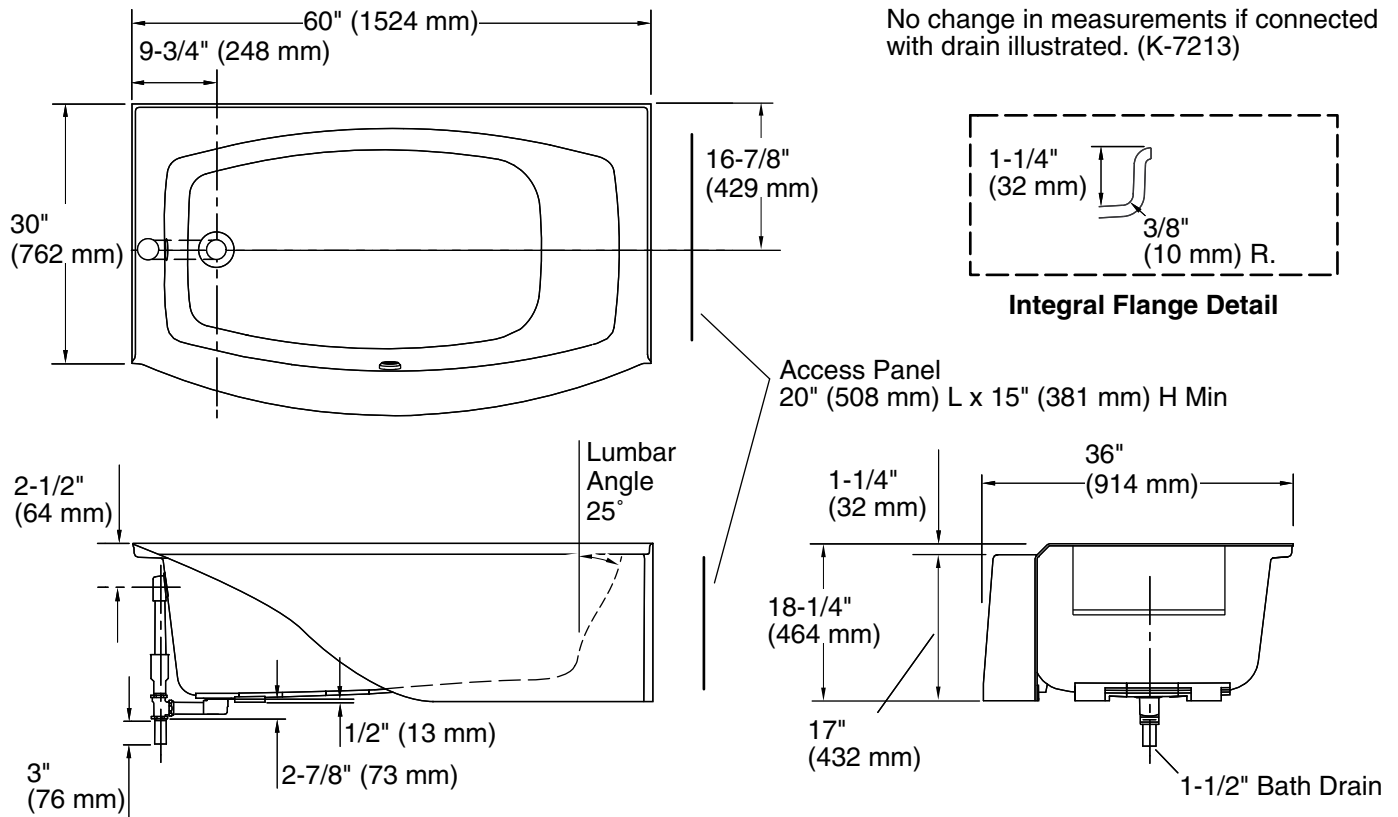
Installation Notes

Install this product according to the installation guide.

Locate a GFCI-protected 120 V, 15 A, grounded electrical outlet within 24" (610 mm) of the bath junction box.

40" (1016 mm) cable is included.

Floor support under the bath must provide for a minimum of 45 lbs/square foot (219.7 kg/square meter) loading.



Product Diagram