

LawnMaster®

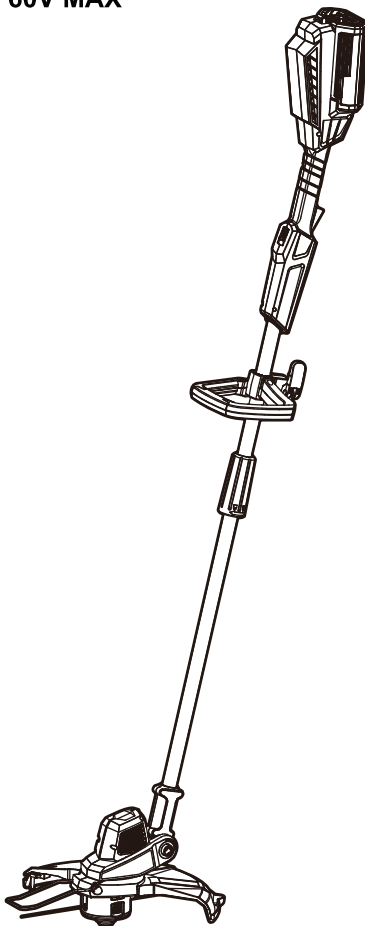
Operators Manual / Mode D'emploi

EN p. 2

60V MAX*-14" Li-ion Cordless Grass Trimmer CLGT6014A

FR p. 31

Coupe-gazon Sans Fil CLGT6014A De 35,56CM (14 po) À Batterie Lithium-ion 60V MAX*



* Maximum initial battery workload voltage (measured without a workload) is 60 volts.
Nominal voltage is 54 volts

* Tension batterie de la charge de travail initiale maximale (mesurée sans charge de travail) est de 60 volts.
Tension nominale est de 54 volts

MNL_CLGT6014A_V1

! Read all safety rules and instructions carefully before operating this tool.
Distributed By Cleva North America 601 Regent Park Court Greenville, SC 29607 (866)-384-8432

! Lisez attentivement l'ensemble des règles de sécurité et les instructions avant d'utiliser cet appareil.
Distribué par Cleva North America 601 Regent Park Court Greenville, SC 29607 (866)-384-8432

TABLE OF CONTENTS

TABLE OF CONTENTS	2
SPECIFICATIONS	2
GENERAL SAFETY RULES	3-4
SPECIFIC SAFETY RULES	5-7
SYMBOLS	8-9
KNOW YOUR GRASS TRIMMER	10-11
ASSEMBLY	12-13
BATTERY CHARGER	14-15
OPERATION	16-22
MAINTENANCE	23-24
TROUBLESHOOTING	25
ENVIRONMENTALLY SAFE BATTERY DISPOSAL	26
LawnMaster® 60V WARRANTY	27
EXPLODED VIEW	28
PARTS LIST	29
NOTES	30

SPECIFICATIONS

60V MAX* CORDLESS GRASS TRIMMER

Type	Cordless, Battery-Powered
Battery	Model 60LB2021-S 60V max* d.c., 2.0 Ah Lithium-Ion
Rated No Load Speed	6900 +/- 10%
Trimming Line	0.080" (2mm) Round Monofilament Line
Trimming Width	14"
Unit Weight (With 2.0Ah Battery)	9.5 lbs (4.3 kg)

* Maximum initial battery workload voltage (measured without a workload) is 60 volts.
Nominal voltage is 54 volts

CHARGER

Model No	60LFC01-ETL
Rated Input Voltage	120V ~ 60Hz
Rated Output	60V DC
Rated Output Current	2A
Charging Time	70 min (For 60LB2021-S)

GENERAL SAFETY RULES

⚠ WARNING

Read and understand all instructions before using this product. Failure to follow all instructions listed below may result in electric shock, fire, and / or serious personal injury.

- Do not operate power tools in explosive atmospheres, such as in the presence of flammable liquids, gases, or dust. Power tools create sparks which may ignite the dust or fumes.
- Do not allow children or untrained individuals to use this unit.
- Don't expose power tools to rain or wet conditions. Water entering a power tool will increase the risk of electric shock.
- Do not handle plug or tool with wet hands.
- Never allow children to operate the equipment. Never allow adults to operate the equipment without proper instruction.
- Always wear safety glasses with side shields. Everyday glasses have only impact resistant lenses. They are NOT safety glasses. Following this rule will reduce the risk of eye injury. Use face mask if operation is dusty.
- Wear eye protection when operating this product. Secure long hair above shoulder level to prevent entanglement in moving parts.
- Do not expose to rain, store indoors.
- Do not operate in poor lighting.
- Keep all parts of your body away from any moving part.
- Keep hair, loose clothing, fingers and all body parts away from openings and moving parts.
- Wear heavy long pants, boots, and gloves. Avoid loose garments or jewelry that could get caught in moving parts of the machine or its motor.
- Do not force tool. Use the correct tool for your application. The correct tool will do the job better and safer at the rate for which it is designed.
- Do not operate the equipment while barefoot or when wearing sandals or similar lightweight footwear. Wear protective footwear that will protect your feet and improve your footing on slippery surfaces.
- Secure long hair so it is above shoulder level to prevent entanglement in any moving parts.
- Keep firm footing and balance. Do not overreach. Overreaching can result in loss of balance.
- Do not allow to be used as a toy. Close attention is necessary when used by or near children.
- Do not use tool if switch does not turn it on or off. Any tool that cannot be controlled with the switch is dangerous and must be repaired.
- Keep all bystanders, children, and pets at least 50 ft. away.
- Do not operate this unit when you are tired, ill, or under the influence of alcohol, drugs, or medication.
- Do not operate in poor lighting.
- Keep all parts of your body away from any moving parts and all hot surfaces of the unit.
- Do not put any object into openings. Do not use with any opening blocked; keep openings free of dust, lint, hair, and anything that may reduce air flow.

GENERAL SAFETY RULES

- Check the work area before each use. Remove all objects such as rocks, broken glass, nails, wire, or line which can be thrown or become entangled in the machine.
- Use only identical manufacturer's replacement parts and accessories. Use of any other parts may create a hazard or cause product damage.
- For residential use only.
- Store idle appliances - When not in use, grass trimmer should be stored indoors in a dry, locked place out of the reach of children.
- Do not point the grass trimmer in the direction of people or pets.
- Never run the unit without the proper equipment attached. Always ensure the safety guard is installed.
- When not in use, grass trimmer should be stored indoors in a dry, locked up place—out of the reach of children.
- Maintain tool with care. Keep fan area clean for best and safest performance. Follow instructions for proper maintenance. Do not attempt to clear clogs from tool without first unplugging it or removing the battery.
- To reduce the risk of electrical shock, do not expose to rain, do not use on wet surfaces. Store indoors.

CHILD SAFETY

Tragic accidents can occur if the operator is not aware of the presence of children.

- Keep children out of the working area and under the watchful care of a responsible adult.
- Do not allow children under the age of 14 to operate this grass trimmer. Children who are 14 years of age and older must read and understand the operating instructions and safety rules in this manual and must be trained and supervised by a parent.
- Stay alert, and turn the grass trimmer off if a child or any other person enters the working area.
- Look behind and down for small children before and while cutting backwards.
- Use extreme care when approaching blind corners, doorways, shrubs, trees, or other objects that may obscure your view of a child who may run into the path of the grass trimmer.

SPECIFIC SAFETY RULES

BATTERY SAFETY RULES

- Battery tools do not have to be plugged into an electrical outlet; therefore, they are always in operating condition. Be aware of possible hazards when not using your battery tool or when changing accessories. Following this rule will reduce the risk of electric shock, fire, or serious personal injury.
- Do not place battery tools or their batteries near fire or heat. This will reduce the risk of explosion and possibly injury.
- Do not crush, drop or damage battery pack. Do not use a battery pack or charger that has been dropped or received a sharp blow. A damaged battery is subject to explosion. Properly dispose of a dropped or damaged battery immediately.
- Batteries can explode in the presence of a source of ignition, such as a pilot light. To reduce the risk of serious personal injury, never use any cordless product in the presence of open flame. An exploded battery can propel debris and chemicals. If exposed, flush with water immediately.
- Do not charge battery tool in a damp or wet location. Following this rule will reduce the risk of electric shock.
- For best results, your battery tool should be charged in a location where the temperature is more than 45°F but less than 104°F. To reduce the risk of serious personal injury, do not store outside or in vehicles.
- Under extreme usage or temperature conditions, battery leakage may occur. If liquid comes in contact with your skin, wash immediately with soap and water. If liquid gets into your eyes, flush them with clean water for at least 10 minutes, then seek immediate medical attention. Following this rule will reduce the risk of serious personal injury.
- When battery pack is not in use, keep it away from other metal objects like: paper clips, coins, keys, nails, screws, or other small metal objects that can make a connection from one terminal to another. Shorting the battery terminals together may cause sparks, burns, or a fire.
- Always remove battery pack from your tool when you are assembling parts, making adjustments, cleaning, or when not in use. Removing battery pack will prevent accidental starting that could cause serious personal injury.
- Always remove battery pack before storing the device. When battery becomes fully charged, unplug the charger from the power supply and remove the battery pack from the charger.
- Always wear eye protection with side shields marked to comply with ANSI Z87.1, along with hearing protection hearing protection. Failure to do so could result in objects being thrown into your eyes and other the possible serious injuries.
- Keep battery pack dry, clean, and free from oil and grease. Always use a clean cloth when cleaning. Never use brake fluids, gasoline, petroleum-based products, or any solvents to clean battery pack.

SPECIFIC SAFETY RULES

BATTERY & CHARGER

CAUTION

USE ONLY LawnMaster® APPROVED REPLACEMENT BATTERIES, OTHER BATTERIES MAY CAUSE INJURY OR DAMAGE TO THE TOOL. Use with LawnMaster® 60V Lithium-Ion battery.

Ensure that the device is switched off before inserting the battery. Inserting a battery into a power tool that is switched on may result in accidents.

Recharge the batteries indoors only because the battery charger is designed for indoor use only. To reduce the electric shock hazard, unplug the battery charger from the outlet before cleaning the charger.

Do not subject the battery to strong sunlight over long periods and do not leave it on a heater. Heat damages the battery and there is a risk of explosion.

Allow a hot battery to cool before charging.

Do not open up the battery and avoid mechanical damage to the battery. Risk of short circuit and fumes may be emitted that irritate the respiratory tract. Ensure fresh air and seek medical assistance in the event of discomfort.

Do not use non-rechargeable batteries!

The device must not be used by people (including children) with limited physical, sensory or mental faculties or who lack the necessary experience and/or knowledge - other than they are supervised by a person responsible for safety or are being instructed to operate the appliance by such a person. Children must be supervised in order to ensure that they do not play with the equipment.

To charge the battery, use only the charger supplied. This ensures that the safety of the device is maintained.

Before each use, check the charger, cable and plug and have them repaired by qualified professionals and only with original parts. Do not use a defective charger and do not open it up by yourself. This ensures that the safety of the device is maintained.

Connect the charger only to a socket that is grounded. Ensure that the outlet voltage matches specifications on the charger rating plate.

Disconnect the charger from the outlet before closing or opening connection to the battery / power tool / device.

Keep the charger clean and away from wet and rain. Do not use the charger outdoors. Dirt and the entry of water increase the risk of electric shock.

Operate the charger the only with the appropriate original batteries. Charging other batteries may result in injuries and risk of fire.

Avoid mechanical damage to the charger. This can result in internal short circuits.

SPECIFIC SAFETY RULES

Do not operate the charger on a combustible surface (e.g. paper, textiles).

Risk of fire due to heating during charging.

If the power cord for this equipment is damaged, it must be replaced by the manufacturer, a customer service agent of the same or qualified person in order to prevent hazards.

The battery of the appliance is not fully charged at the time of delivery. It therefore needs to be fully recharged before you use it for the first time. For the first recharge cycle, charge the battery pack fully. Slot the battery into the base and plug the battery charger into an outlet.

When the battery is fully charged, unplug the charger from the outlet and from the appliance.

Do not charge the battery continuously since this may damage the battery cells.











NOTE: Repeatedly charging small capacities may damage the battery cells. Recharge the battery only if the appliance is becoming slow.

Do not use the charger to charge non-rechargeable batteries.

Save these instructions. Refer to them frequently and use them to instruct others who may use this power tool. If you loan someone this power tool, loan them these instructions also.




SYMBOLS

On the product, the rating label and within these instructions you will find among others the following symbols and abbreviations. Familiarize yourself with them to reduce hazards like personal injuries and damage to property.

SYMBOL	NAME	DESIGNATION/EXPLANATION
V	Volts	Voltage
A	Amperes	Current
Hz	Hertz	Frequency (cycles per second)
W	Watts	Power
min	Minutes	Time
~	Alternating Current	Type of current
==	Direct Current	Type or a characteristic of current
/min	Per Minute	Revolutions, strokes, surface speed, orbits etc., per minute
	Wet Conditions Alert	Do not expose to rain or use in damp locations
	Read The Operator's Manual	To reduce the risk of injury user must read and understand operator's manual before using this product.
	Eye and Hearing Protection	Always wear eye protection with side shields marked to comply with ANSI Z87.1, along with hearing protection
	Safety Alert	Precautions that involve your safety.
	Keep Bystanders Away	Keep all bystanders at least 50 ft. away.
	Lithium-Ion Battery Recycling	Designates that this tool is in compliance with Lithium-Ion battery recycling program requirements
	Keep Away From Water	Do not dispose of battery packs in rivers or immerse in water
	Keep Away From Fire	Do not dispose of battery packs in fire. They will explode or leak and cause injury.
	Heat Alert	Do not expose battery packs to heat in excess of 60°C (140°F).
	Recycle Symbol	This product uses lithium-ion batteries. Local, state, or federal laws may prohibit disposal of batteries in ordinary trash. Consult your local waste authority for information regarding available recycling and/or disposal options.

SYMBOLS

The following signal words and meanings are intended to explain the levels of risk associated with this product.

SYMBOL	SIGNAL	MEANING
	DANGER:	Indicates an imminently hazardous situation, which, if not avoided, will result in death or serious injury.
	WARNING:	Indicates a potentially hazardous situation, which, if not avoided, could result in death or serious injury.
	CAUTION:	Indicates a potentially hazardous situation, which, if not avoided, may result in minor or moderate injury.
	CAUTION:	(Without Safety Alert Symbol) Indicates a situation that may result in property damage.

SERVICE

Service requires extreme care and knowledge and should be performed only by a qualified service technician. For service, we suggest you return the product to your nearest **SERVICE CENTER** for repair. When servicing, use only identical replacement parts.

WARNING

To avoid serious personal injury, do not attempt to use this product until you read thoroughly and understand completely the operator's manual.

If you do not understand the warnings and instructions in the operator's manual, do not use this product. Call customer service for assistance (866-384-8432).

WARNING

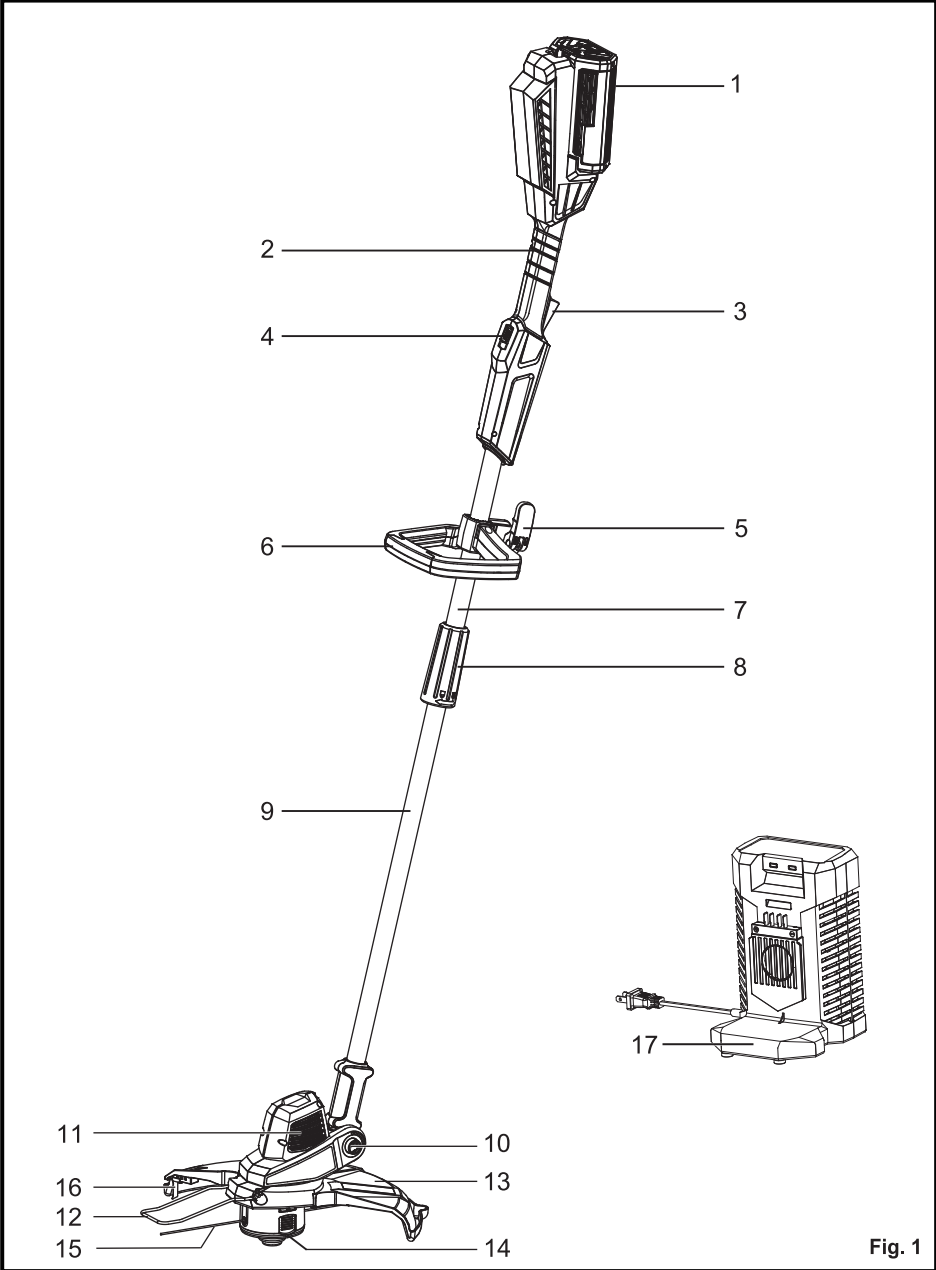


The operation of any power tool can result in foreign objects being thrown into your eyes, which can result in severe eye damage. Before beginning power tool operation, always wear safety goggles or safety glasses with side shields and, when needed, a full face shield.

We recommend Wide Vision Safety Mask for use over eyeglasses or standard safety glasses with side shields. Always use eye protection which is marked to comply with ANSI Z87.1.

SAVE THESE INSTRUCTIONS

KNOW YOUR GRASS TRIMMER



KNOW YOUR GRASS TRIMMER

KNOW YOUR PRODUCT (See Figure 1)

The safe use of this product requires an understanding of the information on the product and in this operator's manual as well as a knowledge of the project you are attempting. Before use of this product, familiarize yourself with all operating features and safety rules.

- | | |
|--------------------------------|--------------------------------|
| 1. Battery | 10. Pivot Button |
| 2. Main Handle | 11. Air Vents |
| 3. On/off Switch | 12. Flower Guard |
| 4. Lock Off Switch | 13. Safety Guard |
| 5. Locking Knob And Bolt | 14. Trimmer Head |
| 6. Auxiliary Handle | 15. Trimmer Line |
| 7. Upper Shaft | 16. Trimmer Line Cut-Off Blade |
| 8. Locking Collar | 17. Battery Charger |
| 9. Lower Shaft With Power Head | |

NOTE: The above parts and their associated number/letters will be used throughout this manual to identify parts.

Unpack

This product requires assembly.

- Carefully remove the product and any accessories from the box. Make sure that all items listed in the packing list are included (p.11). Look under the interior bottom carton flaps for any missing small items.
- Inspect the product carefully to make sure no breakage or damage occurred during shipping.
- Do not discard the packing material until you have carefully inspected and satisfactorily operated the product.
- If any parts are damaged or missing, please call 866-384-8432.

YOU WILL NEED (ITEMS NOT SUPPLIED)

- Phillips Head Screwdriver
- Suitable Personal Protective Equipment

PACKING LIST

Grass Trimmer Attachment (Upper Shaft & Lower Shaft)

Safety Guard with Screws

Auxiliary Handle Assembly with Locking Knob

Flower Guard

Operator's Manual

60V Battery

60V Charger

ASSEMBLY

⚠ WARNING

Before assembly, make sure that the grass trimmer is switched off and the battery is removed. If any parts are damaged or missing do not operate this product until the parts are replaced. Failure to heed this warning so could result in serious personal injury.

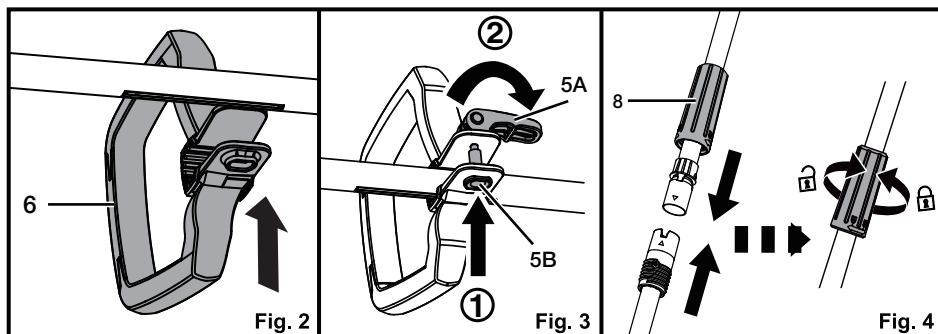
Do not attempt to modify this product or create accessories not recommended for use with this product. Any such alteration or modification is misuse and could result in a hazardous condition leading to possible serious personal injury. Always remove battery pack from your tool when you are assembling parts, making adjustments, cleaning, or when not in use. Removing battery pack will prevent accidental starting that could cause serious personal injury.

Never operate without the proper safety devices in place and working. Never operate with damaged safety devices. Failure to heed this warning can result in serious personal injury.

ATTACHING THE AUXILIARY HANDLE (See Figures 2-3)

- Loosen the locking knob (5A) from the auxiliary handle.
- Align the auxiliary handle (6) with the depression on the upper shaft (Fig. 2).
- Adjust the auxiliary handle to the most comfortable position.
- Insert the bolt (5B) in the hole on the auxiliary handle, tighten the locking knob (5A) and clamp down to secure handle (Fig. 3).

NOTE: Auxiliary handle can be mounted from either side of the shaft to accommodate personal preference of use.



CONNECTING LOWER AND UPPER SHAFTS (See Figure 4)

- Align the upper shaft with the lower shaft. The triangle-shaped recesses must face each other.
- Insert the upper shaft into the lower shaft.
- Fasten both shafts with the locking collar (8).

ASSEMBLY

SAFETY GUARD (See Figure 5)

- Align the safety guard with the trimmer head.
- Secure it by tightening the three mounting screws with a screwdriver.

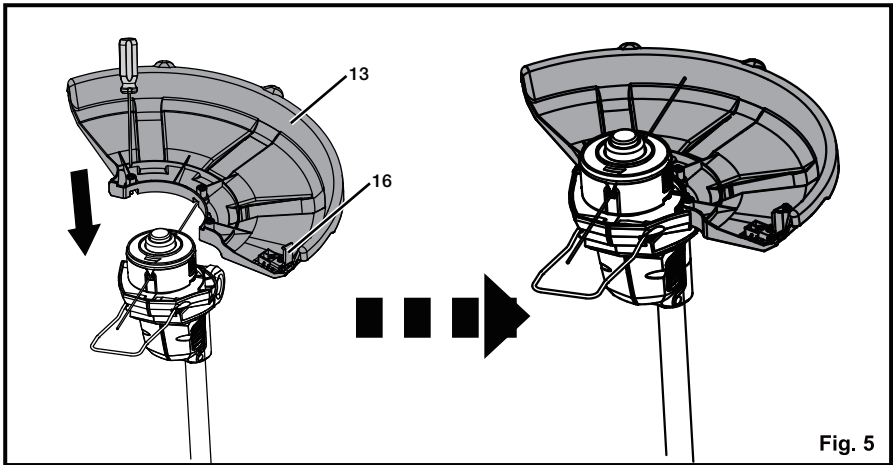


Fig. 5

INSTALLING / REMOVING THE BATTERY PACK

To install battery pack:

- Align the raised ribs on the trimmer handle with the grooves in the battery pack (1), and then insert the battery pack into the handle.
- Push the battery pack (1) until you hear a “click”.

NOTE: Make sure that battery pack firmly snaps into place and is secured to the trimmer handle before starting operation.

To remove battery pack:

- Stop the machine.
- Press the release button on the battery pack. Grasp the trimmer firmly, and pull the battery pack out of the handle.

BATTERY PACK AND CHARGER

BATTERY CHARGING





- Use only with 60V LawnMaster® battery chargers. The battery charger supplied is specifically designed for the Lithium-Ion battery used in this garden appliance.
- Check the power voltage! Battery chargers operate on 120 V.
- The battery is charged between 35.6-109.4°F. This ensures an optimum battery service life.
- Protect the battery from heat, from continuous exposure to sun and keep away from radiation or other heat sources. Do not leave the battery in the tool in direct sunlight over long periods.
- The battery is supplied partially charged. To ensure full capacity of the battery, charge the battery before using your appliance for the first time. The Lithium-Ion battery can be charged at any time without reducing its service life. Interrupting the charging procedure does not affect the battery.
- Always leave it fully charged if kept in the charger for storage.

CHARGER LEDS

- If the battery is not inserted into the charger, a **continuous red LED light** indicates that the outlet plug is plugged into an outlet socket and the battery charger is ready for operation.
- Charging: a **flashing green LED** on the charger indicates that the battery is charging normally.
- Charged: **continuous green LED** on the charger indicates that the battery is ready for use.
- Technical Issue: a **flashing red LED light** on the charger indicates that battery pack has a charging problem or might be defective.
 - One possible condition is the battery temperature is not within the charging temperature range of 35.6-109.4°F or the charging current is too high. As soon as the permitted temperature and the charging current ranges are reached, the battery charger will automatically switch to charging.
 - If the temperature range and charging current are correct and flashing red LED light continues, then remove and reinstall the battery pack. If the LED status repeats a second time, try to charge another identical battery. If the battery charges normally, dispose of the defective battery pack (see Environmental Safe Battery Disposal section).
 - If the flashing red light continues after installing the second battery, the charger may be defective. Replace with a new one.
- After continuous or repeated charging cycles without interruption, the charger may warm up. This is normal and does not indicate a technical defect of the battery charger.

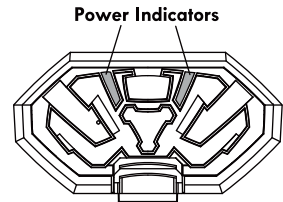
BATTERY PACK AND CHARGER

The indicator lights on the charger show the charger status:

SYMBOL	INDICATOR LIGHTS	STATUS
	Red, continuous	Connected to power supply
	Green, blinking	Charging
	Green, continuous	Fully charged
	Red, blinking	Charging problem: See Technical Issue

BATTERY LED PANEL

- The panel consists of 2 LEDs on the battery. Press and release the button, the LEDs will show you the charge levels.
- The battery's charge level can be checked either when the battery is attached on the machine or removed from the machine.



LEDs on battery (Continuous lighting)	Battery Capacity
Green	50%~100%
Orange	25%~ 50%
Red	0-25% (Recharge required)

OPERATION

INTENDED USE

This grass trimmer CLGT6014A is with rated battery voltage of 60V. 60LFC01-ETL designates the respective charger with a charging voltage of 60V.

The product is intended for cutting weed, grass or similar soft vegetation in areas that are hard to reach, e.g. under bushes, on slopes and edges. It may not be used to work on unusual thick, dry or wet grass, e.g. pasture grass, or to shred leaves.

This product is intended for private domestic use only, not for any commercial trade use. It must not be used for any purposes other than those described.

ON / OFF SWITCH (See *Figure 6*)

- Push the lock-off switch (4) forward and hold it in position (Fig.6, STEP 1).
- Press the on/off switch (3) to switch the product on (Fig.6, STEP 2). The lock-off switch can then be released.
- Release the on/off switch to switch the product off.

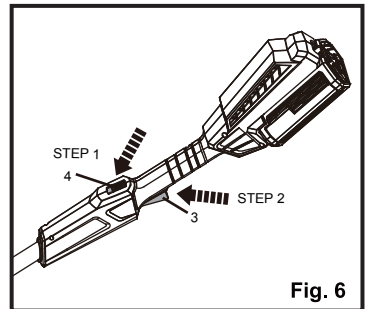


Fig. 6

SPEED CONTROL

The grass trimmer features a variable speed control.

To get higher cutting speed, apply more pressure to the on/off switch; to get lower speed, apply less pressure to the switch. Adjust the speed to suit the task at hand.

CUTTING DEVICE - ADVANCING THE TRIMMER LINE

In order to advance the trimmer line, firmly tap the bump cap on the trimmer head while the trimmer is running. This will automatically advance a new length of trimmer line and trim the line to the correct length. A firm but gentle motion should be used when tapping the bump cap on the lawn.

This advancing process may be repeated as often as necessary. Never try to advance the line on a hard surface such as a sidewalk or driveway. If unit fails to advance, stop the trimmer and remove the battery pack, then clean the bump cap both inside and out.

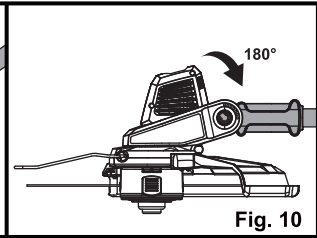
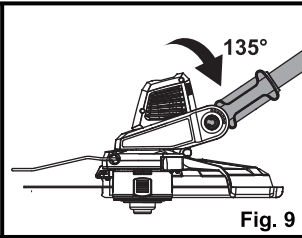
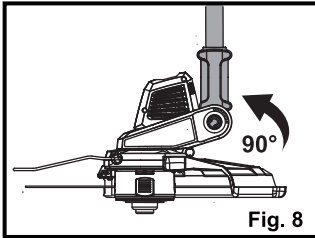
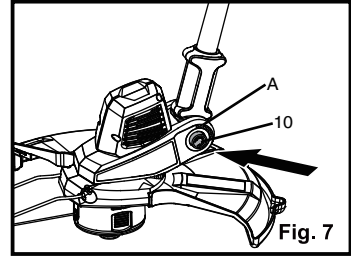
SAFETY GUARD

- The safety guard protects the operator against thrown objects during operation.
- The safety guard is equipped with a trimmer line cut-off blade (16) that cuts excess trimming line.

OPERATION

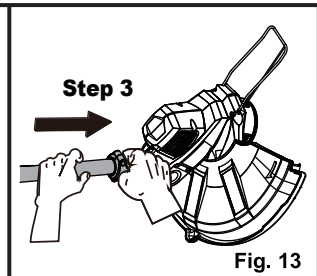
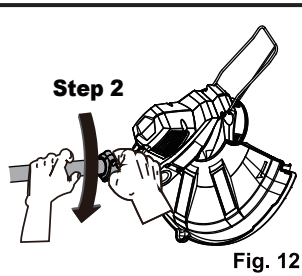
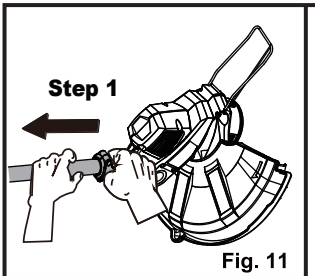
PIVOTING HEAD (See Figures 7-10)

- To pivot the head, push the pivot button (10) and adjust to any of the 7 positions as shown (A) (Fig. 7).
- Adjust the angle of the trimmer head according to the intended operation.
- Adjust to desired position: adjust to 135° when trimmer grass on flat ground. Adjust to 90° or 180° when trimmer near edges and walls (Fig. 8-10).



EDGING (See Figures 11-13)

- The rotating handle can be used in combination with the edging function for edging sidewalks and walkways. To use the flower guard, flip down from its stored position.
- Pull the tube outwards (step 1) and away from the motor as shown. With the tube and motor separated, user can rotate handle 90° for easier edging (step 2). Push the tube back toward motor head, motor head and tube will lock into place (step 3) (Fig. 11-13).



OPERATION

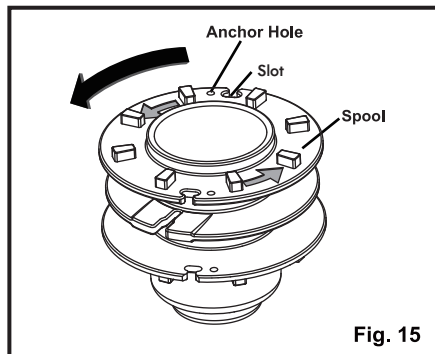
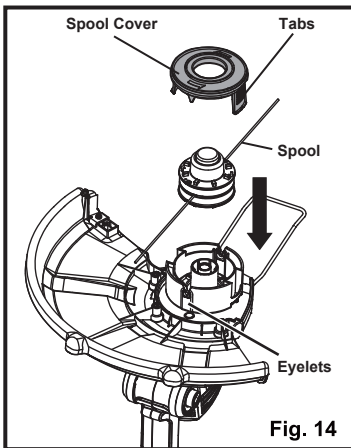
SPOOL REPLACEMENT (See Figure 14)

- Use only 0.080 in. diameter round monofilament line.
Use original manufacturer's replacement line for best performance.
- Remove the battery pack.
- Push in tabs on side of spool cover.
- Pull spool cover up to remove.
- Remove spool.

NOTE: Always clean the spool cover and spool base before reassembling the trimmer head.

- Check the spool cover, spool and spool base for wear. If necessary, replace the worn parts.
- To install the new spool, make sure the line is captured in the anchor hole on the new spool. Make sure the end of the line is extended approximately 6 in. beyond the slot.
- Install the new spool so that the line is put in the ends slot.
- Pull the line extending from the line head so the line releases from the slot in the spool.
- Reinstall the spool cover by depressing tabs into slot in the line head and pushing down until spool cover clicks into place.

NOTE: Use LawnMaster spool model # RS0606 for replacement.



LINE REPLACEMENT (See Figures. 15-18)

- Remove the battery pack.
- Remove the spool from the line head.

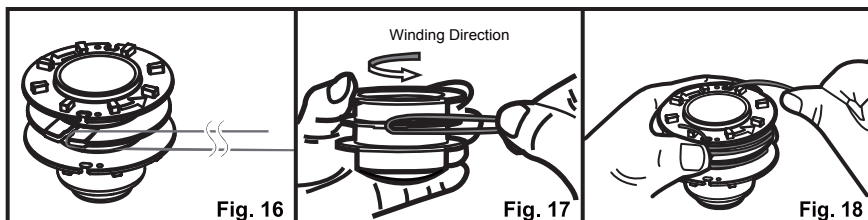
OPERATION

NOTE: Remove any old line remaining on the spool. Use only 0.080 in. (2 mm) diameter round monofilament line.

- Take sufficient length of new cutting line. Fold the line in half and then adjust it so that one end is approximately 3.5 in. (9 cm) longer than the other (Fig. 16).
- Hook the folded end of the cutting line onto either of the slots in the spool (Fig. 17).
- Wind the line onto the spool. Wind the line in the direction indicated on the spool (Fig. 15 & 17).
- Place the ends of the line in two opposite anchor slots in the spool, with some extra length of line protruding (Fig. 18).

NOTE: Always clean the spool cover and spool base before reassembling the trimmer head.

- Check the spool cover, spool and spool base for wear. If necessary, replace the worn parts.
- Install the spool in the line head and replace the spool cover as described in Spool Replacement.

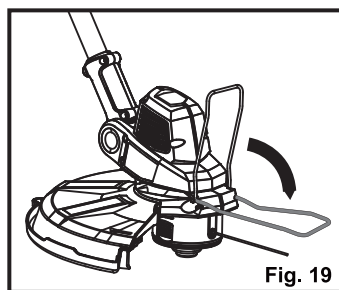


NOTE: Only use the appropriate type of cutting line.

FLOWER GUARD (See Figure. 19)

NOTE: The flower guard provides a visual indicator of the maximum reach of the trimming line.

When the flower guard is swung down, it can be used as a distance guide for use around plants, poles and fence posts.



⚠ WARNING

Adjust the Flower Guard position only when the product is switched off and the cutting device is at a complete stop!

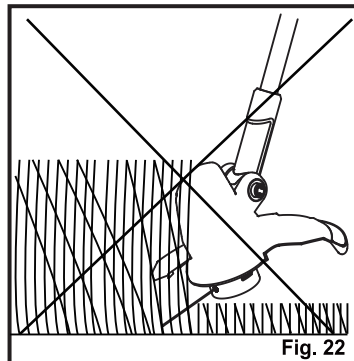
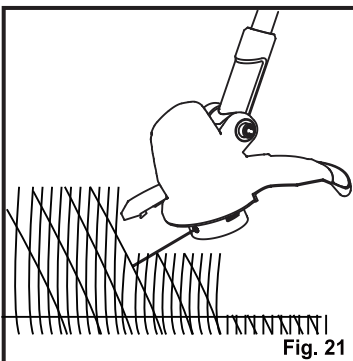
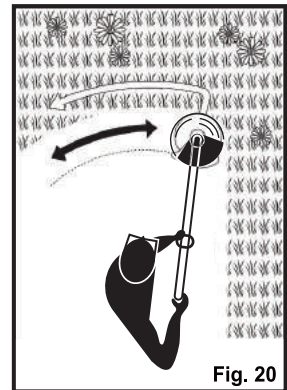
OPERATION

GENERAL OPERATION

- Check the product, its battery pack and charger as well as accessories for damage before each use. Do not use the product if it is damaged or shows wear.
- Double check that accessories and trimming blades are properly fixed.
- Always hold the product by its handles. Keep the handles dry to ensure safe support.
- Ensure that the air vents are always unobstructed and clear. Clean them if necessary with a soft brush. Blocked air vents may lead to overheating and damage the product.
- Switch the product off immediately if you are disturbed while working by other people entering the working area. Always let the product come to complete stop before putting it down.
- Do not overwork yourself. Take regular breaks to ensure you can concentrate on the work and have full control over the product.

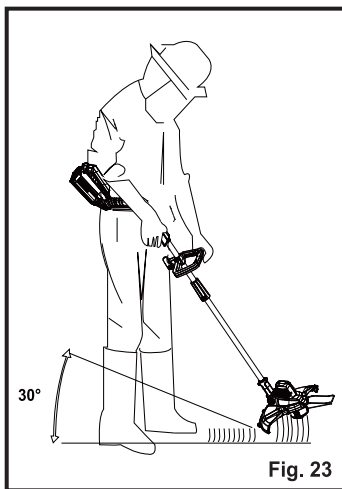
TRIMMING (See Figures 20-25)

- Do not cut wet grass because it tends to stick to the cutting means and guard, prevents proper discharge of grass clippings, and could cause you to slip and fall.
- Wait until the product has come to a standstill before placing it down.
- Regularly remove clippings and dirt around the trimmer head with the battery removed from the product.
- Pay attention when performing work close to trees and bushes. The cutting device can damage sensitive bark, and damage fence posts.
- Work rhythmically. Stand firmly with your feet apart. Cut from right to left so the trimmings will be thrown away from the work area (Fig. 20).
- Do not move the product too fast as this will result in ineffective cutting and possible damage.
- Cut repeatedly from up and down in layers when the grass is very high (Fig. 21-22).



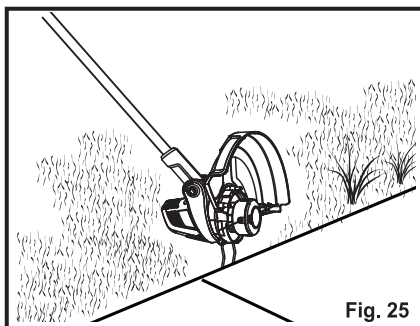
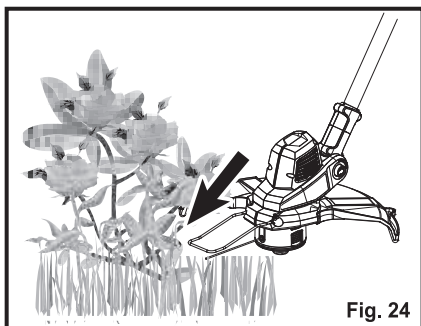
OPERATION

- Keep the trimmer head at an angle of about 30° to the ground when trimming. Avoid pressing it against the ground unless advancing the line (Fig. 23).



NOTE: Let the cutting device do the work. Let it work at its own pace, never force it into the area to be cut.

- Carefully maneuver the product around objects, such as trees and bushes, ensuring it does not come into contact with them. Use the Flower Guard to ensure that the cutting device does not come into contact with sensitive plants (Fig. 24).



- Adjust the trimmer head angle when trimming on edges.
- Use the Flower Guard to avoid bringing the cutting device into contact with hard objects such as walls and curbs (Fig. 25).

OPERATION

AFTER USE

- Switch the product off, remove the battery back and let it cool down.
- Check, clean and store the product as described below.

GENERAL CLEANING

- Clean the product with a dry cloth. Use a brush for areas that hard to reach.
- In particular clean the air vents (11) after every use with a cloth and brush.
- Remove stubborn dust with high pressure air (max. 3 bar).

NOTE: Do not use chemical, alkaline, abrasive or other aggressive detergents or disinfectants to clean this product as they might be harmful to its surfaces.

- Check for worn or damaged parts. Replace worn parts as necessary or contact an authorized service center for repair before using the product again.

GUARD

- Keep the guard clean and free of debris. Remove trimmings.
- Replace the guard with a one of the same type when it's worn or shows damage.

CHARGER

- If the power cord of the charger is damaged, it must be replaced by the manufacturer, its service agent or similarly qualified persons in order to avoid a safety hazard.

MAINTENANCE

REPAIR

- This product does not contain any parts that can be repaired by the consumer. Contact a qualified specialist to have it checked and repaired.

STORAGE

- Clean the product as described above.
- Store the product and its accessories in a dry, frost free place.
- Always store the product in a place that is inaccessible to children. The ideal storage temperature is between 50 and 86 °F.
- We recommend using the original package for storage or covering the product with a suitable cloth to protect it against dust.

TRANSPORTATION

- Switch the product off and remove the battery pack before transporting it anywhere.
- Attach transportation guards, if applicable.
- Always carry the product by its handles.
- Protect the product from any heavy impact or strong vibrations which may occur during transportation in vehicles.
- Secure the product to prevent it from slipping or falling over.

WARNING

In order to avoid personal injury and the risk of fire and electric shock, remove the battery pack before adjusting, inspecting, or cleaning the grass trimmer.

CLEANING

- Remove the battery pack.
- Brush or blow dust and debris out of the air vents using compressed air or a vacuum. Keep the air vents free of obstructions, sawdust, and wood chips. Do not spray, wash, or immerse the air vents in water.

MAINTENANCE

- Wipe off the housing and the plastic components using a damp, soft cloth. Do not use strong solvents or detergents on the plastic housing or plastic components. Certain household cleaners may cause damage, and may cause a shock hazard.

BATTERY PACK

- Store the battery pack fully charged.
- Recharge the battery pack whenever there is less power. Do not allow the battery pack to become completely discharged.
- Do not recharge a battery pack that is already fully charged. Overcharging shortens battery life.
- Once the battery is fully charged, remove the battery from the charger and disconnect charger from the outlet.
- Do not store the battery pack on the tool or in the charger.
- Recharge the battery at a temperature of between 35.6-109.4°F. If the battery pack is hot, allow it to cool down before recharging.

CHARGER MAINTENANCE

- Keep the charger clean and clear of debris. Do not allow foreign material to get into the recessed cavity or onto the contacts. Wipe the charger clean with a dry cloth. Do not use solvents or water, and do not place the charger in wet conditions.
- Unplug the charger when there is no battery pack in it.
- Fully charge the batteries before placing them in storage. Do not recharge a fully charged the battery pack.
- Overcharging will shorten battery life.
- Recharge the battery pack whenever there is less power. Do not allow the batteries to become completely discharged.
- Store the charger at normal room temperature. Do not store it in excessive heat. Do not use the charger in direct sunlight. Recharge at room temperature between 35.6-109.4°F. If the battery pack is hot, allow it to cool down before recharging.

TROUBLESHOOTING

Suspected malfunctions, are often due to causes that the user can fix themselves. Therefore check the product using this section. In most cases the problem can be solved quickly.

⚠ WARNING

Only perform the steps described within these instructions!

All further inspection, maintenance and repair work must be performed by an authorized service center or a similarly qualified specialist if you cannot solve the problem yourself!

Problem	Possible Cause	Solution
1.Product does not start	1.1 Battery pack not properly attached 1.2 Battery pack discharged 1.3 Battery pack damaged 1.4 Other electrical defect to the product	1.1 Attach properly 1.2 Remove and charge battery pack 1.3 Check by a specialist electrician 1.4 Check by a specialist electrician
2. Product does not reach full power	2.1 Battery pack capacity too low 2.2 Air vents are blocked	2.1 Charge battery pack 2.2 Clean the air vents
3. Unsatisfactory result	3.1 Cutting device worn	3.1 Replace with a new one

ENVIRONMENTALLY SAFE BATTERY DISPOSAL

The following toxic and corrosive materials are in the batteries used in this battery pack:
Lithium-Ion, a toxic material.

⚠ WARNING

All toxic materials must be disposed of in a specified manner to prevent contamination of the environment. Before disposing of damaged or worn out Lithium-Ion battery packs, contact your local waste disposal agency, or the local Environmental Protection Agency for information and specific instructions.

⚠ WARNING

If the battery pack cracks or breaks, with or without leaks, do not recharge it and do not use.

Dispose of it and replace with a new battery pack. **DO NOT ATTEMPT TO REPAIR IT!**

To avoid injury and risk of fire, explosion, or electric shock, and to avoid damage to the environment:

- Cover the battery terminals with heavy-duty adhesive tape.
 - DO NOT attempt to remove or destroy any of the battery pack components.
 - DO NOT attempt to open the battery pack.
 - If a leak develops, the released electrolytes are corrosive and toxic.
DO NOT get the solution in the eyes or on skin, and do not swallow it.
 - DO NOT place these batteries in your regular household trash.
 - DO NOT incinerate.
 - DO NOT place batteries where they will become part of any waste landfill or municipal solid waste stream.
 - Take batteries to a certified recycling or disposal center.
-

LawnMaster® 60V WARRANTY



LawnMaster®

LawnMaster® 60V LIMITED WARRANTY

We take pride in producing a high quality, durable product. This LawnMaster® product carries a limited four (4) year warranty against defects in workmanship and materials from date of purchase under normal household use. This warranty is void if this product is ever used while providing commercial services or if rented to another person. **Batteries and chargers carry a two-year warranty against defects in workmanship and materials from date of purchase.** Batteries must be charged in accordance with the operator's manual directions and regulations in order to be valid. Warranty does not apply to defects due to alterations, direct or indirect abuse, negligence, misuse, accidents, repairs and lack of maintenance. Please keep your receipt/packing list as proof of purchase. This warranty gives you specific legal rights, and you may have other rights, which vary from state to state. For product service call Customer Service at 866-384-8432.

Items not covered by warranty :

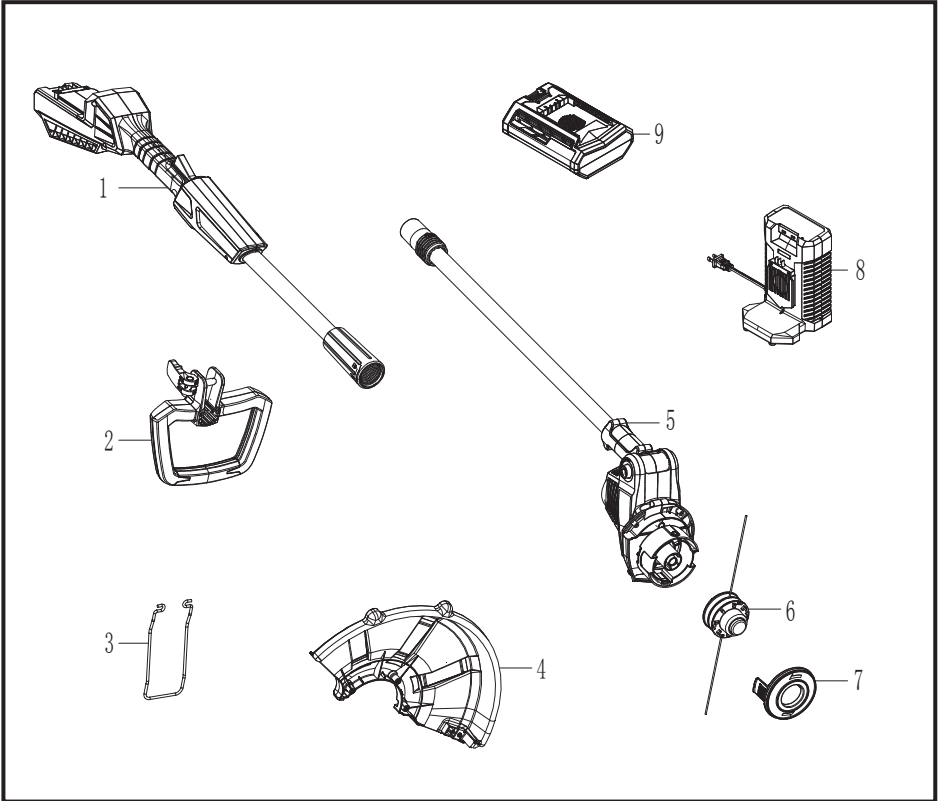
1. Any part that has become inoperative due to alteration, misuse, commercial use, abuse, neglect, accident, or improper maintenance.
2. The unit, if it has not been operated and/or maintained in accordance with the owner's manual.
3. Normal wear, except as noted below.
4. Routine maintenance items such as lubricants, blade sharpening, etc.
5. Normal deterioration of the exterior finish due to use or exposure.
6. Parts that can wear out from normal use within the warranty period, such as the blades, collection bags, spools, spool covers, etc.

Transportation Charges : Transportation charges for the movement of any power equipment unit or attachment are the responsibility of the purchaser. It is the purchaser's responsibility to pay transportation charges for any part submitted for replacement under this warranty unless such return is requested in writing by LawnMaster.

**THIS WARRANTY ONLY APPLIES TO ORIGINAL PURCHASER WITH PROOF OF PURCHASE.
THIS WARRANTY IS VOID WITHOUT PROOF OF PURCHASE.**

EXPLODED VIEW

CLGT6014A EXPLODED VIEW



PARTS LIST

CLGT6014A MANUAL PARTS LIST			
Key Number	Part Number	Description	Quantity
1	121058101	Main Handle Assembly	1
2	121058102	Assist Handle Assembly	1
3	121058103	Flower Guard	1
4	121058104	Debris Guard	1
5	121058105	Power Head Assembly	1
6	RS0606	Spool	1
7	121058107	Spool Cover	1
8	60LFC01-ETL	60V Lithium Ion Battery Charger	1
9	60LB2021-S	60V Lithium Ion Battery	1

* Parts highlighted in gray are available for after sales purchase.

TABLE DES MATIÈRES

TABLE DES MATIÈRES	31
SPÉCIFICATIONS	31
RÈGLES GÉNÉRALES DE SÉCURITÉ	32-33
RÈGLES DE SÉCURITÉ SPÉCIFIQUES	34-36
SYMBOLS	37-38
CARACTÉRISTIQUES DE L'APPAREIL	39-40
MONTAGE	41-42
CHARGEUR DE BATTERIE	43-44
UTILISATION	45-51
ENTRETIEN	52-53
DÉPANNAGE	54
MISE AU REBUT DES BATTERIES DANS DES CONDITIONS RESPECTUEUSES DE L'ENVIRONNEMENT	55
GARANTIE DE LA TONDEUSE LawnMaster® 60 V	56
VUE ÉCLATÉE	57
LISTE DES PIÈCES	58
REMARQUES	59

SPÉCIFICATIONS

Coupe-gazon sans fil fonctionnant sur batterie d'une tension maximale de 60 volts

Type	Sans fil, fonctionnant sur batterie
Batterie	Modèle 60LB2021-S 60 V max* d.c., 2,0 Ah Lithium-Ion
Vitesse nominale à vide	9 000 Min ⁻¹
Ligne de coupe	fil rond en monofilament de diamètre 2 mm (0,080 po)
Largeur zone de coupe	14"
Poids de l'unité (avec batterie 2,0 Ah)	9,5 lbs (4,3 kg)

* Tension batterie de la charge de travail initiale maximale (mesurée sans charge de travail) est de 60 volts.

Tension nominale est de 54 volts

CHARGEUR

Modèle N°	60LFC01-ETL
Tension d'entrée nominale	120 V / 60 Hz
Tension de sortie nominale	60 V CC
Courant de sortie nominal	2A
Durée de charge	70 min (modèle 60LB2021-S)

RÈGLES GÉNÉRALES DE SÉCURITÉ

⚠ AVERTISSEMENT

Lisez et assimilez toutes les instructions avant d'utiliser ce produit. Le non-respect des instructions ci-dessous peut entraîner des risques d'électrocution, d'incendie et/ou de blessures graves.

- N'utilisez pas d'outils électriques dans des atmosphères explosives, comme en présence de liquides, de gaz ou de poussières inflammables. Les outils électriques créent des étincelles qui peuvent enflammer la poussière ou les vapeurs.
- Ne laissez aucun enfant, ni des personnes sans formation utiliser cet appareil.
- N'exposez pas vos outils électriques à la pluie ou à l'humidité. L'infiltration d'eau dans un outil électrique augmente les risques d'électrocution.
- Ne manipulez pas la fiche d'alimentation ou l'outil les mains mouillées.
- Ne laissez jamais des enfants utiliser cet outil. Ne laissez jamais des adultes utiliser cet outil sans qu'ils n'aient préalablement lu les instructions.
- Portez toujours des lunettes de protection munies d'écrans latéraux. Les lunettes ordinaires sont dotées de lentilles résistant uniquement aux impacts. Ce NE sont PAS des lunettes de sécurité. Le respect de cette consigne réduira les risques de blessures oculaires. Portez un masque facial si vous devez travailler dans un milieu poussiéreux.
- Portez des lunettes de protection lorsque vous utilisez cet appareil. Attachez les cheveux longs pour les maintenir au-dessus des épaules, afin qu'ils ne se prennent pas dans les pièces mobiles.
- N'exposez pas l'appareil à la pluie et rangez-le à l'intérieur.
- N'utilisez pas l'appareil dans des conditions de luminosité insuffisantes.
- Gardez toutes les parties de votre corps à l'écart des pièces mobiles.
- Maintenez vos cheveux, vêtements amples, doigts et toutes parties du corps à l'écart des orifices et des pièces mobiles.
- Portez des pantalons longs, des bottes et des gants résistants. Évitez de porter des vêtements amples et des bijoux. Ils pourraient se coincer dans le moteur ou les parties mobiles de l'appareil.
- Ne forcez pas sur l'outil. Utilisez l'outil adapté à l'application à laquelle vous le destinez. Un outil adapté effectuera le travail de manière plus efficace et plus sûre s'il est utilisé au rythme pour lequel il est conçu.
- N'utilisez pas l'appareil lorsque vous êtes pieds nus ou que vous portez des sandales ou d'autres chaussures légères similaires. Portez des chaussures de sécurité: elles protégeront vos pieds et vous procureront une meilleure stabilité sur les surfaces glissantes.
- Attachez les cheveux longs de façon à ce qu'ils soient au-dessus du niveau des épaules, afin d'éviter qu'ils se prennent dans les parties mobiles de l'appareil.
- Veillez à avoir une assise solide et un bon équilibre. N'essayez pas d'atteindre des éléments trop éloignés de vous. Vous pourriez perdre l'équilibre.
- Ne pas permettre que l'appareil soit utilisé comme un jouet. Soyez très attentif s'il est utilisé par des enfants ou si des enfants se trouvent à proximité.
- N'utilisez pas l'outil si son commutateur ne permet pas de le mettre en marche ou de l'éteindre. Un outil qui ne peut être contrôlé au moyen de son commutateur d'alimentation présente un danger et doit être réparé.

RÈGLES GÉNÉRALES DE SÉCURITÉ

- Maintenez les personnes présentes, les enfants et les animaux domestiques à une distance d'au moins 15 m (50 pieds).
- N'utilisez jamais l'appareil lorsque vous êtes fatigué, malade ou sous l'effet de l'alcool, de drogues ou de médicaments.
- N'utilisez pas l'appareil dans des conditions de luminosité insuffisantes.
- Maintenez toutes les parties de votre corps à l'écart des parties mobiles et des surfaces chaudes de l'appareil.
- N'introduire aucun objet dans les orifices de l'appareil. N'utilisez pas l'appareil si un orifice est bouché. Faites en sorte que les orifices ne soient pas encombrés de poussières, peluches, cheveux ou de toute autre chose qui pourrait gêner la circulation de l'air.
- Inspectez la zone de travail avant chaque utilisation. Retirez tous les objets tels que pierres, morceaux de verre, clous, fil électrique ou ficelle qui pourraient être projetés ou se retrouver emmêlés dans la machine.
- Utilisez exclusivement des pièces de remplacement et des accessoires identiques recommandés par le fabricant. L'utilisation d'autres types de pièces peut engendrer des risques ou endommager le produit.
- Uniquement à usage domestique.
- Rangement des appareils inutilisés: lorsqu'elle n'est pas utilisée, le coupe-gazon doit être rangé à l'intérieur dans un endroit clos et sec, hors de la portée des enfants.
- Ne dirigez pas le coupe-gazon vers des personnes et des animaux de compagnie.
- N'utilisez jamais l'appareil si les équipements adéquats ne sont pas fixés. Rassurez-vous toujours que le dispositif de sécurité est installé.
- Lorsqu'il n'est pas utilisé, le coupe-gazon doit être rangé à l'intérieur dans un endroit clos et sec-hors de portée des enfants.
- Entretenez l'appareil avec soin. Pour obtenir des performances optimales et assurer votre sécurité, maintenez la zone de ventilation propre. Suivez les instructions pour un entretien adéquat. N'oubliez jamais de débrancher ou d'enlever la batterie avant toute tentative de débouillage de l'appareil.
- Pour réduire les risques d'électrocution, n'exposez pas l'appareil à la pluie et ne l'utilisez pas sur des surfaces humides. Entreposez l'appareil à l'intérieur.

SÉCURITÉ DES ENFANTS

Des accidents tragiques peuvent se produire si l'utilisateur n'est pas conscient de la présence d'enfants.

- Éloignez les enfants de la zone de balayage et placez-les sous la surveillance attentive d'un adulte.
- Ne laissez pas des enfants de moins de 14 ans utiliser ce coupe-gazon. Les enfants de 14 ans et plus doivent lire et assimiler les instructions et les consignes de sécurité figurant dans ce manuel. Ils doivent apprendre à utiliser la machine et s'en servir sous la surveillance étroite d'un parent.
- Soyez vigilant et arrêtez le coupe-gazon si un enfant ou une autre personne pénètre dans la zone de travail.
- Regardez toujours derrière vous et par terre afin de vous assurer qu'aucun enfant en bas âge ne se trouve à proximité avant et pendant que vous effectuez une coupe à reculons.
- Redoublez de prudence lorsque vous approchez d'angles morts, de portes, de buissons, d'arbres ou d'autres objets qui pourraient vous empêcher de repérer la présence d'un enfant courant en direction du coupe-gazon.

RÈGLES DE SÉCURITÉ SPÉCIFIQUES

CONSIGNES DE SÉCURITÉ RELATIVES AUX BATTERIES

- Les outils fonctionnant sur batteries n'ayant pas besoin d'être branchés sur une prise secteur, ils sont toujours en état de fonctionnement. Tenez compte des dangers possibles lorsque l'outil n'est pas en usage et lors du remplacement des batteries. Le respect de cette consigne réduira les risques d'incendie, de choc électrique et de blessures graves.
- Ne placez pas les outils fonctionnant sur batteries ou leurs batteries à proximité de flammes ou d'une source de chaleur. Cela réduira les risques d'explosion et de blessures.
- N'écrasez pas, ne laissez pas tomber et n'endommagez pas le bloc batteries. N'utilisez pas un bloc batterie ou un chargeur qui est tombé ou qui a reçu un choc violent. Une batterie endommagée risque d'exploser. Mettez immédiatement au rebut, de façon appropriée, toute batterie endommagée ou tombée à terre.
- Les batteries peuvent exploser en présence d'une source d'allumage, telle qu'une veilleuse. Pour réduire les risques de blessures graves, n'utilisez jamais d'appareil sans fil, quel qu'il soit, en présence d'une flamme vive. En explosant, une batterie peut projeter des débris et des produits chimiques. En cas de contact, lavez immédiatement à grande eau.
- Ne chargez pas des outils fonctionnant sous batteries dans un lieu humide ou mouillé. Le respect de cette consigne réduira les risques d'électrocution.
- Pour plus d'efficacité, la batterie de l'appareil doit être chargée dans un endroit dont la température est supérieure à 45 °F et inférieure à 104°F. Pour limiter le risque de dommages corporels graves, ne le laissez jamais dans un lieu non sécurisé ou à l'intérieur d'un véhicule.
- En cas d'utilisation ou de températures extrêmes, les batteries peuvent fuir. En cas de contact du liquide avec la peau, rincez immédiatement la partie atteinte avec de l'eau savonneuse. En cas d'éclaboussure dans les yeux, rincez-les à l'eau fraîche pendant au moins 10 minutes, puis contactez immédiatement un médecin. Le respect de cette consigne réduira les risques de blessures graves.
- Lorsque le bloc batteries n'est pas utilisé, conservez-le à distance des objets métalliques tels que: trombones, pièces de monnaie, clés, clous, vis et autres petits objets métalliques risquant d'établir le contact entre les deux bornes. La mise en contact des bornes peut entraîner des étincelles, des brûlures ou un incendie.
- Retirez toujours le bloc batteries de l'outil lorsque vous montez des pièces, que vous effectuez des réglages ou un nettoyage, ou que vous ne l'utilisez pas. Le retrait du bloc batteries évite un démarrage accidentel susceptible de provoquer des blessures graves.
- Retirez toujours le bloc batteries avant d'entreposer l'appareil. Lorsque la batterie est entièrement chargée, débranchez le chargeur de la source d'alimentation et retirez le bloc batteries du chargeur.
- Portez toujours des lunettes de sécurité munies de protections latérales répondant à la norme ANSI Z87.1, ainsi que des protecteurs d'oreilles. Le non-respect de cette consigne peut provoquer des projections d'objets dans vos yeux, pouvant entraîner des blessures corporelles graves.
- Maintenez le bloc batteries sec, propre et exempt d'huile et de graisse. Utilisez toujours un chiffon propre lors du nettoyage. N'utilisez jamais du liquide de frein, de l'essence, des produits dérivés du pétrole ou des solvants pour nettoyer le bloc batteries.

RÈGLES DE SÉCURITÉ SPÉCIFIQUES

BATTERIE ET CHARGEUR

ATTENTION

N'UTILISEZ QUE DES BATTERIES DE RÉCHANGE LawnMaster®, LES AUTRES TYPES POUVANT CAUSER DES DYSFONCTIONNEMENTS OU ENDOMMAGER L'APPAREIL. Utilisez une batterie LawnMaster® de 60V et lithium-ion.

Assurez-vous que l'appareil est hors tension avant insertion de la batterie. L'insertion d'une batterie dans un outil électrique sous tension peut entraîner des accidents.

Rechargez les batteries à l'intérieur uniquement, car le chargeur de batterie est exclusivement conçu pour une utilisation à l'intérieur. Afin de réduire le risque d'électrocution, débranchez le chargeur de batterie avant de le nettoyer.

N'exposez pas la batterie à la forte intensité des rayons du soleil pendant une période prolongée et ne la laissez pas sur un radiateur. La chaleur endommage la batterie et présente un risque d'explosion.

Lorsqu'une batterie est chaude, laissez-la refroidir avant toute charge.

N'ouvrez pas la batterie et évitez à celle-ci toutes détériorations mécaniques. Il existe un risque de court-circuit et l'émission d'émanations peut irriter les voies respiratoires. En cas de malaise, assurez un apport d'air frais et cherchez de l'aide médicale.

N'utilisez pas de batteries non rechargeables!

L'utilisation de cet appareil n'est pas destinée à des personnes (y compris les enfants) dont les capacités physiques, mentales, sensorielles sont réduites, ni à celles manquant d'expérience et de savoir-faire, à moins qu'elles ne soient sous la surveillance d'une personne responsable de leur sécurité ou mises au courant de toutes les fonctions de l'appareil par celle-ci. Les enfants doivent être surveillés afin de s'assurer qu'ils ne jouent pas avec l'appareil.

Pour charger la batterie, utilisez uniquement le chargeur fourni. Risque d'incendie et d'explosion. Cette disposition assurera le maintien de la sécurité de l'appareil.

Avant chaque utilisation, vérifiez l'état du chargeur, du câble et de la fiche et, le cas échéant, confiez-en la réparation à des professionnels qualifiés qui doivent utiliser exclusivement des pièces d'origine pour ce faire. N'utilisez pas un chargeur défectueux et n'ouvrez pas celui-ci vous-même. Cette disposition assurera le maintien de la sécurité de l'appareil.

Branchez le chargeur uniquement sur des prises à contact de protection. Assurez-vous que la tension de la prise correspond aux spécifications de la plaque signalétique du chargeur. Risque d'électrocution.

Débranchez le chargeur avant de débrancher ou de brancher la batterie/un appareil électrique.

Gardez le chargeur propre et à l'abri de l'humidité et de la pluie. N'utilisez pas le chargeur à l'extérieur. L'infiltration d'eau et de saleté dans le chargeur augmente les risques d'électrocution.

RÈGLES DE SÉCURITÉ SPÉCIFIQUES

Utilisez le chargeur uniquement avec les batteries d'origine appropriées. La charge d'autres batteries peut entraîner des blessures et un risque d'incendie.

Évitez toutes détériorations mécaniques au chargeur. Celles-ci pourraient provoquer des court-circuits internes.

N'utilisez pas le chargeur sur une surface inflammable (p. ex du papier, des textiles).

Risque d'incendie dû au chauffage en cours de charge.

En cas d'endommagement du cordon d'alimentation de cet appareil, veuillez confier le remplacement au fabricant, à son service client ou à une personne possédant les mêmes qualifications, afin de prévenir tout risque.

La batterie de l'appareil n'est pas entièrement chargée à la livraison. Elle doit en conséquence être entièrement rechargée avant sa première utilisation. Lors la première recharge, assurez-vous que la charge est complète. Introduisez la batterie dans la partie inférieure de l'appareil, puis branchez le chargeur sur une prise de courant.

Débranchez le chargeur lorsque la batterie est complètement chargée.

Ne chargez pas la batterie en continu, car cela pourrait endommager les cellules de la batterie.













REMARQUE: La charge à répétition par petites doses risque d'endommager les cellules de la batterie. Rechargez la batterie seulement si l'appareil devient lent.

N'utilisez pas le chargeur pour charger des batteries non rechargeables.

Conservez ces consignes. Référez-vous y fréquemment et utilisez-les pour expliquer le fonctionnement de l'outil aux autres personnes susceptibles d'utiliser cet outil électrique. Si vous prêtez cet outil électrique, prêtez également ce manuel d'utilisation.




SYMBOLES

Vous trouverez la plaque signalétique sur l'appareil. Parmi ces instructions figurent entre autres les symboles et abréviations suivants. Familiarisez-vous avec eux afin de réduire les risques de blessures corporelles et de dommages matériels, par exemple.

SYMBOLE	NOM	DÉSIGNATION/EXPLICATION
V	Volts	Tension
A	Ampères	Courant
Hz	Hertz	Fréquences (cycles par seconde)
W	Watts	Alimentation
min	Minutes	Durée
	Courant alternatif	Type de courant
	Courant continu	Type ou caractéristique du courant
/min	Par minute	Révolutions, amplitudes de pulsation, vitesse de surface, orbites, etc. par minute
	Alerte de conditions humides	N'exposez pas l'outil à la pluie, ne l'utilisez pas dans des endroits humides.
	Lisez le manuel d'utilisation	Pour réduire les risques de blessures, l'utilisateur doit lire et assimiler le contenu du manuel d'utilisation avant de se servir de cet appareil.
	Protection des yeux et des oreilles	Portez toujours des lunettes de sécurité munies de protections latérales répondant à la norme ANSIZ87.1, ainsi que des protecteurs d'oreilles.
	Alerte de sécurité	Précautions pour assurer votre sécurité
	Maintenez les personnes présentes à l'écart	Maintenez toutes les personnes présentes à une distance d'au moins 15 m (50 pieds).
	Recyclage des batteries au lithium-ion	Indique que cet outil est conforme aux exigences du programme de recyclage des batteries au lithium-ion
	Ne pas l'approcher de l'eau	Ne jetez pas les blocs batterie dans des rivières et ne les plongez pas dans l'eau
	Ne pas l'incinérer	N'incinérez jamais vos blocs batterie. Ils pourraient exploser, fuir ou provoquer des blessures.
	Alerte à la chaleur	N'exposez pas les blocs batterie à une chaleur excédant 60 °C (140 °F).
	Symbole de recyclage	Ce produit utilise des batteries au lithium-ion. Les réglementations locales ou gouvernementales peuvent interdire de jeter les jeter dans les ordures ménagères. Contactez les autorités locales de gestion des déchets pour obtenir des informations concernant les options de recyclage et/ou de mise au rebut disponibles.

SYMBOLES

Les termes de mise en garde suivants et leur signification visent à expliquer le degré de risque associé à cet appareil.

SYMBOLE	MISE EN GARDE	SIGNIFICATION
	DANGER:	Indique une situation de danger immédiat qui, si elle n'est pas évitée, provoquera des blessures graves, voire la mort.
	AVERTISSEMENT:	Indique une situation de danger potentiel qui, si elle n'est pas évitée, peut provoquer des blessures graves, voire la mort.
	ATTENTION:	Indique une situation de danger potentiel qui, si elle n'est pas évitée, pourrait provoquer des blessures mineures ou modérées.
	ATTENTION:	(Sans symbole d'alerte de sécurité) Indique une situation pouvant provoquer des dégâts matériels.

ENTRETIEN

L'entretien requiert une prudence extrême et une bonne connaissance de l'outil. Il doit donc exclusivement être réalisé par un personnel d'entretien qualifié. Dans le cas où une réparation serait nécessaire, nous vous recommandons de renvoyer l'outil dans le **CENTRE DE RÉPARATION** agréé le plus proche de votre domicile. Pour l'entretien et les réparations, utilisez exclusivement des pièces de rechange identiques à celles d'origine.

AVERTISSEMENT

Pour éviter des blessures corporelles graves, n'utilisez pas ce produit avant d'avoir complètement lu et assimilé le contenu du manuel d'utilisation.

Si vous ne comprenez pas les avertissements et les instructions contenus dans le manuel d'utilisation, n'utilisez pas ce produit. Appelez le service à la clientèle pour obtenir de l'aide (866-384-8432).

AVERTISSEMENT

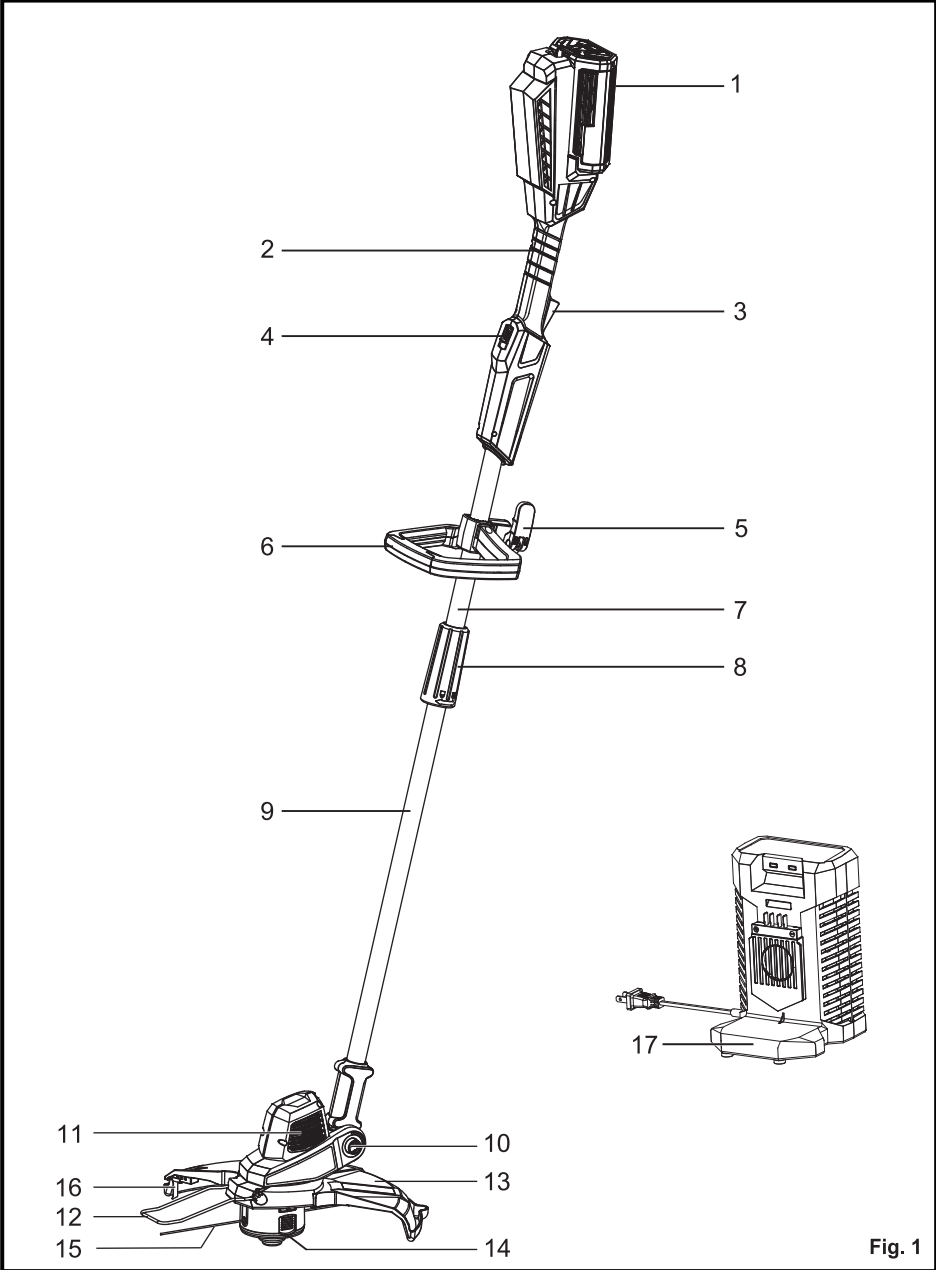


L'utilisation d'un outil électrique peut provoquer des projections d'objets étrangers dans les yeux, avec des risques de lésions oculaires graves. Avant de commencer à utiliser un outil électrique, portez toujours des lunettes de sécurité, des lunettes de sécurité à écrans latéraux ou, le cas échéant, un écran facial complet.

Nous recommandons de porter le masque de protection Wide Vision par-dessus des lunettes de vue ou des lunettes de sécurité classiques à écrans latéraux. Utilisez toujours une protection oculaire répondant à la norme ANSI Z87.1.

CONSERVEZ CES CONSIGNES

CARACTERISTIQUES DE L'APPAREIL



CARACTERISTIQUES DE L'APPAREIL

Caractéristiques de la tondeuse (voir Figure 1)

Pour une utilisation de cet appareil en toute sécurité, assimilez bien les informations inscrites sur l'appareil et figurant dans ce manuel d'utilisation. Préparez également soigneusement votre projet de travail. Avant d'utiliser cet appareil, familiarisez-vous avec toutes les caractéristiques de fonctionnement ainsi que les règles de sécurité.

- | | |
|--|--|
| 1. Batterie | 10. Bouton Pivot |
| 2. Poignée principale | 11. Orifices d'aération |
| 3. Commutateur marche/arrêt (On/Off) | 12. Protection des fleurs |
| 4. Interrupteur de verrouillage | 13. Dispositif de sécurité |
| 5. Boulon de fixation et de verrouillage | 14. Tête du coupe-gazon |
| 6. Poignée auxiliaire | 15. Ligne de coupe |
| 7. Axe supérieur | 16. Lame de coupe du coupe-gazon à fil |
| 8. Bague de blocage | 17. Chargeur de batterie |
| 9. Axe inférieur avec ensemble moteur | |

REMARQUE: les pièces répertoriées ci-dessus ainsi que les numéros/lettres qui y sont associés seront utilisés dans l'ensemble du présent manuel pour permettre d'identifier les pièces.

Déballage

Ce produit doit être monté.

- Faites bien attention quand vous sortez le produit et ses accessoires de la boîte. Vérifiez que tous les accessoires répertoriés sont présents (p 11). Regardez sous les rabats intérieurs au fond du carton afin de retrouver d'éventuelles petites pièces manquantes.
- Contrôlez soigneusement le produit pour vérifier qu'aucun bris ou dommage ne s'est produit durant le transport.
- Ne jetez pas le matériel d'emballage avant d'avoir soigneusement examiné le produit et d'avoir constaté qu'il fonctionne de façon satisfaisante.
- Si des pièces manquent ou sont endommagées, veuillez composer le 866-384-8432.

IL VOUS FAUDRA (ÉLÉMENTS NON FOURNIS)

- Tournevis cruciforme Phillips
- Des équipements de protection personnelle adéquats

LISTE DU CONTENU

Accessoires de coupe-gazon (axe supérieur & axe inférieur)
Dispositif de sécurité avec vis
Montage de la poignée auxiliaire avec boulon de fixation
Protection des fleurs
Manuel d'utilisation
Batterie 60 volts
Chargeur 60 volts

MONTAGE

⚠ AVERTISSEMENT

Avant de procéder au montage, assurez-vous que le coupe-gazon est hors tension et la batterie retirée. Si des pièces sont manquantes ou endommagées, ne faites pas fonctionner ce produit avant de les avoir remplacées. Le non-respect de cet avertissement peut entraîner des blessures corporelles graves.

N'essayez pas de modifier ce produit ou de créer des accessoires non expressément recommandés pour celui-ci.

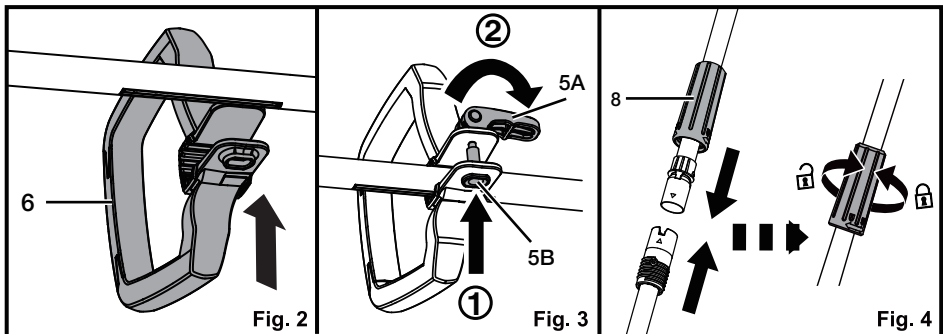
De telles altérations ou modifications constituent un cas de mauvaise utilisation et peuvent provoquer des situations dangereuses pouvant entraîner des blessures corporelles graves. Retirez toujours le bloc batteries de l'outil lorsque vous montez des pièces, que vous effectuez des réglages ou un nettoyage, ou que vous ne l'utilisez pas. Le retrait du bloc batteries évite un démarrage accidentel susceptible de provoquer des blessures graves.

N'utilisez jamais l'appareil sans vous assurer de la présence et du bon fonctionnement du dispositif de sécurité. N'utilisez jamais cet appareil avec des équipements de sécurité endommagés. Le non-respect de cet avertissement peut entraîner des blessures corporelles graves.

MONTAGE DE LA POIGNEE AUXILIAIRE (voir Figures 2 et 3)

- Desserrez de la poignée auxiliaire le boulon de fixation (5A).
- Alignez la poignée auxiliaire (6) sur l'encoche située sur l'arbre supérieur (Fig. 2).
- Ajustez la poignée auxiliaire jusqu'à la position la plus confortable.
- Introduisez le boulon de verrouillage (5B) dans le trou qui apparaît sur la poignée auxiliaire, serrez le boulon de fixation (5A) afin de fixer solidement la poignée (Fig. 3).

REMARQUE: La poignée auxiliaire peut être montée à partir d'un côté ou l'autre de l'arbre afin de tenir compte de vos préférences personnelles en matière d'utilisation.



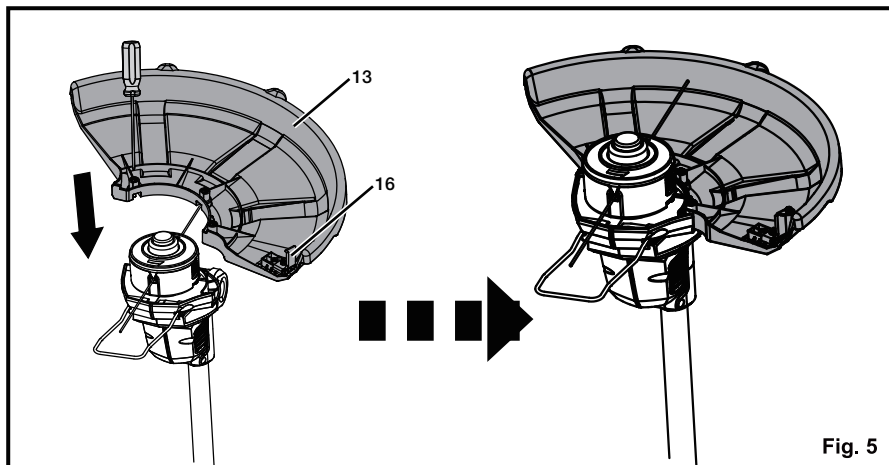
MONTAGE DES AXES SUPERIEUR ET INFERIEUR (voir Figure 4)

- Alignez l'arbre supérieur sur l'arbre inférieur. Les renforcements triangulaires doivent se faire face.
- Alignez l'arbre supérieur dans l'arbre inférieur.
- Serrez les deux arbres à l'aide de la bague de blocage (8).

MONTAGE

Dispositif de sécurité (voir Figure 5)

- Aligned le dispositif de sécurité sur la tête du coupe-gazon.
- Fixez-le en serrant les trois vis de montage à l'aide d'un tournevis.



INSTALLATION ET RETRAIT DU BLOC BATTERIE

Pour installer le bloc batterie:

- Aligned les côtes surélevées de la poignée du coupe-gazon aux rainures du bloc batterie (1), Insérez ensuite le bloc batterie dans la poignée.
- Poussez le bloc batterie (1) jusqu'à ce que vous entendiez un « clic ».

REMARQUE: Assurez-vous que le bloc batterie est correctement inséré et fixé solidement avec la poignée du coupe-gazon avant de démarrer celui-ci.

Pour retirer le bloc batterie:

- Arrêtez la machine.
- Appuyez sur le bouton de déverrouillage sur le bloc batterie. Tenez de manière ferme l'appareil, puis retirez le bloc batterie de la poignée.

BLOC BATTERIE ET CHARGEUR

CHARGE DE LA BATTERIE





- Utilisez uniquement des chargeurs de batterie LawnMaster® 60 V. Le chargeur de batterie fourni est conçu spécifiquement pour la batterie à Lithium-Ion utilisée dans cet appareil de jardinage.
- Vérifiez la tension d'alimentation! Les chargeurs de batterie fonctionnent sur 120 V.
- La batterie est chargée entre 35,6-109,4°F. Cela garantit une durée de vie optimale de la batterie.
- Protégez la batterie de la chaleur, d'une exposition prolongée au soleil et gardez-la à l'écart des radiations ou de toutes autres sources de chaleur. Ne laissez pas la batterie dans l'appareil exposée au soleil pendant une longue période.
- La batterie est livrée partiellement chargée. Afin de garantir un niveau de charge optimal de la batterie, chargez celle-ci avant la première utilisation de l'appareil. La batterie à Lithium Ion peut être chargée à tout moment sans en réduire la durée de vie. L'interruption des procédures de charge n'affecte pas la batterie.
- Gardez-la toujours entièrement chargée si elle est conservée dans le chargeur pendant le rangement.

TÉMOINS LED DU CHARGEUR

- Si la batterie n'est pas insérée dans le chargeur, **un témoin LED rouge** stable indique qu'une fiche est branchée et que le chargeur de batterie est prêt à l'emploi.
- Charge en cours: **un témoin LED vert clignotant** sur le chargeur indique que la batterie charge normalement.
- Chargée: **un témoin LED vert stable** sur le chargeur indique que la batterie est prête à l'emploi.
- Problème technique: **un témoin LED rouge clignotant** sur le chargeur indique que le bloc batterie a un problème de charge ou qu'il est défectueux.
 - Il est possible que la température de la batterie ne soit pas située dans la plage de températures de charge comprise entre 35,6-109,4°F ou que le courant de charge soit trop élevé. Dès que les plages de températures et de courant de charge permises auront été atteintes, le chargeur de batterie passera automatiquement en mode de charge.
 - Si la plage de températures et le courant de charge sont corrects et que le témoin LED rouge continue à clignoter, retirez puis réinstallez le bloc batterie. Si l'état du témoin LED se reproduit une deuxième fois, essayez de charger une autre batterie identique. Si la batterie se charge normalement, mettez au rebut le bloc batterie défectueux (voir la section Mise au rebut des batteries en toute sécurité et dans des conditions respectueuses de l'environnement).
 - Si la lumière rouge continue à clignoter après avoir installé la seconde batterie, il est possible que le chargeur soit défectueux. Remplacez-la par une nouvelle.
- Après des cycles de charge continus ou répétés sans interruption, le chargeur peut s'échauffer. Il s'agit d'un phénomène normal et n'est pas l'indice d'un défaut de fabrication du chargeur de batterie.

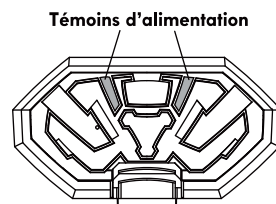
BLOC BATTERIE ET CHARGEUR

Les témoins lumineux qui se trouvent sur le chargeur indiquent l'état du chargeur:

SYMBOLE	TEMOINS LUMINEUX	ÉTAT
	Rouge, continu	Branché à la source d'alimentation
	Vert, clignotant	Charge en cours
	Vert, continu	Entièrement chargée
	Rouge, clignotant	Problème de charge: Voir Problème technique

PANNEAU DES TÉMOINS LED DE LA BATTERIE

- Le panneau comporte 2 témoins LED sur la batterie. Appuyez sur le bouton et relâchez-le. Les témoins LED vous indiqueront les niveaux de charge.
- Le niveau de charge de la batterie peut être vérifié lorsque la batterie est fixée sur la machine ou retirée de la machine.



Les témoins LED situés sur la batterie (s'allument en continu)	Niveau de charge de la batterie
Vert	de 50 % à 100 %
Orange	de 25 % à 50 %
Rouge	0 à 25 % (recharge requise)

UTILISATION

UTILISATION PRÉVUE

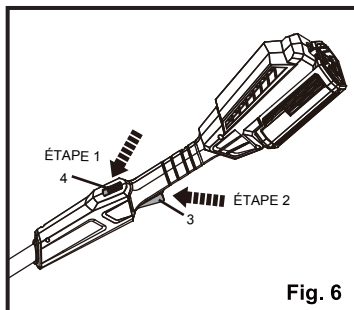
Ce coupe-gazon CLGT6014A est équipé d'une batterie dont la tension nominale est de 60V. 60LFC01-ETL désigne le chargeur correspondant ayant une tension de charge de 60V.

Cet appareil est destiné à la coupe de l'herbe, des mauvaises herbes ou d'une végétation similaire dans les zones difficilement accessibles, par exemple sous les buissons, sur les pentes et les bords. Il ne peut être utilisé sur une pelouse exceptionnellement fournie, sèche ou humide, (par exemple, l'herbe de pâturage) ou pour broyer des feuilles.

Ce produit est prévu exclusivement pour une utilisation domestique et non à des fins commerciales. Il ne doit être utilisé à aucune autre fin que celles décrites.

Le commutateur On/Off (Marche/Arrêt) (voir Figure 6)

- Poussez vers l'avant l'interrupteur de verrouillage (4) et maintenez-le dans cette position (Fig.6, étape1).
- Appuyez sur le commutateur marche/arrêt (on/off) (3) pour mettre l'appareil sous tension (Fig. 6, ÉTAPE 2). Vous pouvez ensuite relâcher l'interrupteur de verrouillage.
- Relâchez le commutateur marche/arrêt (on/off) pour mettre l'appareil hors tension.



RÉGLAGE DE LA VITESSE

La vitesse du coupe-gazon peut être réglée.

Pour augmenter la vitesse de coupe, exercez une plus grande pression sur le commutateur On/Off (Marche/Arrêt). Pour la réduire, diminuez la pression exercée sur le commutateur. Réglez la vitesse en fonction de la tâche à effectuer.

DISPOSITIF DE COUPE – AVANCEMENT DE LA LIGNE DE COUPE

Pour faire avancer la ligne de coupe, frappez sur la casquette antichoc de la tête du coupe-gazon lorsqu'il est en marche. Cela fera passer automatiquement à une nouvelle ligne de coupe. Nettoyez la ligne pour en corriger la longueur. Vous pouvez taper légèrement sur la casquette antichoc lors du travail.

Ce processus d'avancement peut être effectué autant que nécessaire. Ne jamais essayer de faire avancer la ligne sur des sols durs, tels que les trottoirs ou les allées. Si vous ne parvenez pas à faire avancer la ligne, arrêtez l'appareil, retirez le bloc batterie, puis nettoyez l'intérieur et l'extérieur de la casquette antichoc.

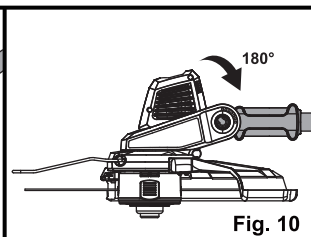
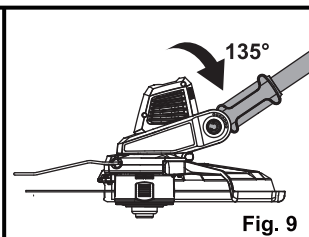
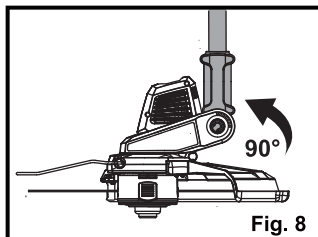
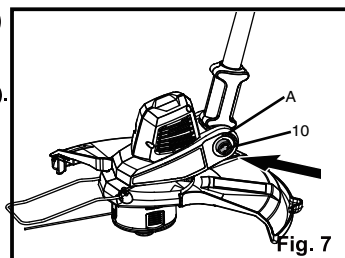
DISPOSITIF DE SÉCURITÉ

- Le dispositif de sécurité protégé l'opérateur contre tous objets projetés en cours d'opération.
- Le dispositif de sécurité est équipé d'une lame (16) qui coupe l'excédent de la ligne.

UTILISATION

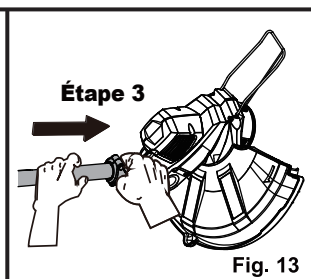
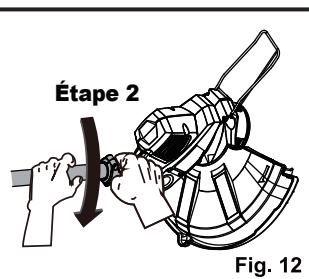
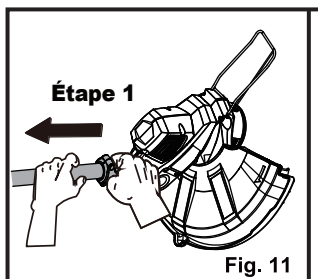
PIVOTEMENT DE LA TÊTE (voir Figures 7 à 10)

- Pour faire pivoter la tête, poussez le bouton de pivot (10), puis réglez-la sur l'une des 7 positions indiquées (A) (Fig. 7).
- Réglez l'angle de la tête de coupe en fonction de l'utilisation prévue.
- Réglez sur la position souhaitée: Réglez sur 135° lorsque vous coupez l'herbe sur un terrain plat. Réglez sur 90° ou 180° lorsque vous coupez l'herbe à proximité de bords ou de murs (Fig. 8 - 10).



Bordure (voir Figures 11-13)

- La poignée rotative peut être utilisée en association avec la fonction de coupe de bordures pour tailler les bordures de trottoirs et d'allées piétonnières. Pour utiliser la protection des fleurs, abaissez-la.
- Tirez le tube vers l'extérieur (étape 1), puis éloignez-le du moteur tel qu'illustré. Lorsque le tube est éloigné du moteur, on peut tourner la poignée à 90° pour faciliter le travail (étape 2). Poussez le tube vers le moteur et il reprendra sa position initiale (étape 3) (Fig. 11 à 13).



UTILISATION

BOBINE DE RECHANGE (voir Figure 14)

- Utilisez exclusivement un fil en monofilament de diamètre : 1,65 mm (0,080 po).
Utilisez un fil de rechange d'origine pour obtenir des résultats optimaux.
- Retirez le bloc batterie.
- Enfoncez les ergots situés sur le côté de la jupe de la bobine.
- Tirez la jupe de la bobine vers le haut pour la retirer.
- Retirez la bobine.

REMARQUE: Nettoyez toujours la jupe de bobine et la base de montage avant de remonter la tête de coupe.

- Vérifiez si la bobine, la jupe de bobine et la base de montage sont usées. Si tel est le cas, remplacez les pièces endommagées.
- Pour installer une nouvelle bobine, assurez-vous que le fil est retenu dans l'orifice d'ancrage situé sur la nouvelle bobine. Assurez-vous de laisser l'extrémité du fil dépasser d'environ 6 po au-delà de la fente.
- Installez la nouvelle bobine de façon à ce que la ligne soit placée dans la fente des extrémités.
- Tirez le fil qui dépasse de la tête du fil afin que le fil se dégage de la fente de la bobine.
- Remettez en place la jupe de la bobine en enfonçant les ergots dans la fente située sur la tête du fil, puis maintenez-les enfoncés jusqu'à ce la jupe de la bobine se verrouille en place.

REMARQUE: Utilisez une bobine de remplacement LawnMaster – Modèle N° RS0606.

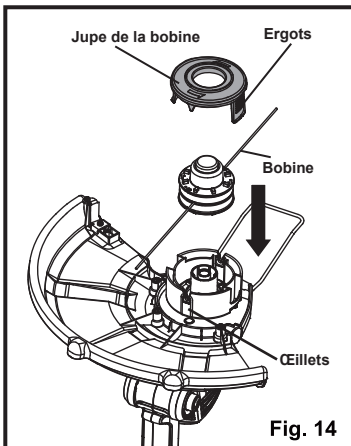


Fig. 14

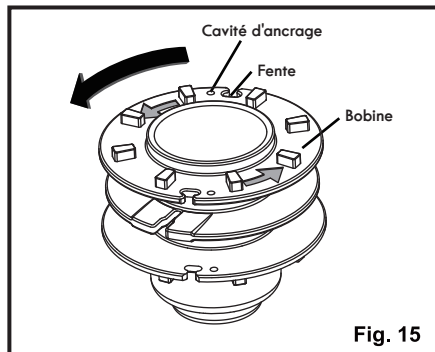


Fig. 15

REPLACEMENT DE LA LIGNE (voir Figures. 15-18)

- Retirez le bloc batterie.
- Retirez la bobine de la tête du fil.

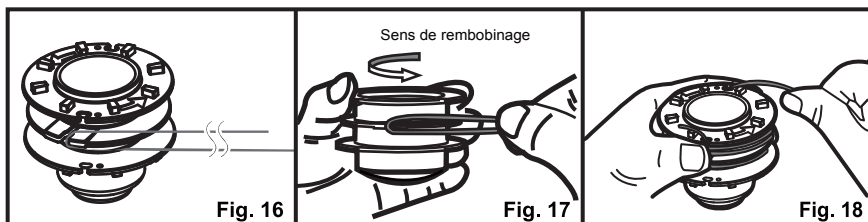
UTILISATION

REMARQUE: Retirez tout fil ancien restant sur la bobine. **Utilisez exclusivement un fil rond en monofilament de diamètre : 2 mm (0,080 po).**

- Prenez une nouvelle ligne de coupe d'une longueur suffisante. Pliez-la en deux, puis réglez-la de manière à que l'une des extrémités soit plus longue (environ 9 cm) que l'autre (Fig. 16).
- Accrochez l'extrémité pliée de la ligne de coupe à l'une ou l'autre des extrémités de la bobine (Fig. 17).
- Enroulez le fil sur la bobine. Faites-le en suivant le sens indiqué sur la bobine (Fig. 15 & 17).
- Placez les extrémités de la ligne sur deux extrémités opposées de la bobine en laissant une longueur supplémentaire (Fig. 18).

REMARQUE: Nettoyez toujours la jupe de la bobine et la base de montage avant de remonter la tête de coupe.

- Vérifiez si la bobine, la jupe de bobine et la base de montage sont usées. Si tel est le cas, remplacez les pièces endommagées.
- Installez la bobine dans la tête du fil, puis remettez en place la jupe de la bobine tel que décrit dans la section Remplacement de la bobine.

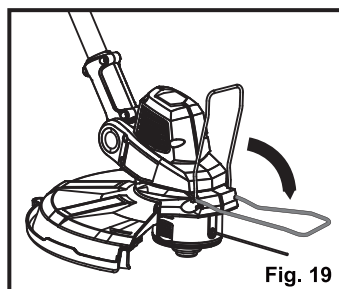


REMARQUE: Utilisez exclusivement le type de fil de coupe approprié.

LA PROTECTION DES FLEURS (voir Figure. 19)

REMARQUE: La protection des fleurs constitue un indicateur visuel de la portée maximale de la ligne de coupe.

Lorsque la protection des fleurs pend vers le bas, elle peut servir de guide de distance et permettre d'esquiver arbres, poteaux et barrières.



⚠ AVERTISSEMENT

Ajustez la position de la protection des fleurs uniquement lorsque l'appareil est hors tension et que le dispositif de coupe est complètement immobile!

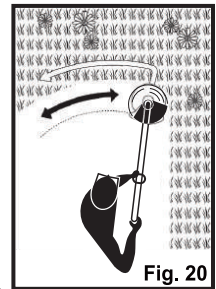
UTILISATION

FONCTIONNEMENT GÉNÉRAL

- Vérifiez le produit, son bloc batterie et son chargeur ainsi que ses accessoires afin de détecter tout dommage éventuel avant chaque utilisation. N'utilisez pas le produit s'il est endommagé ou s'il présente des signes d'usure.
- Vérifiez attentivement si les accessoires et lames de coupe sont correctement fixés.
- Tenez toujours l'appareil par ses poignées. Maintenez les poignées sèches afin de garantir une prise en main en toute sécurité.
- Assurez-vous que les orifices d'aération sont toujours dégagés et propres. Nettoyez-les au besoin à l'aide d'une brosse douce. Toute obturation des orifices d'aération risque d'entraîner une surchauffe de l'appareil et de l'endommager.
- Mettez immédiatement l'appareil hors tension si vous êtes dérangé pendant la coupe par d'autres personnes pénétrant dans la zone de coupe. Attendez toujours l'arrêt complet de l'appareil avant de le déposer.
- Ne vous surmenez pas. Faites régulièrement des pauses afin de vous assurer d'être en mesure de vous concentrer sur la coupe et de garder le contrôle total de l'appareil.

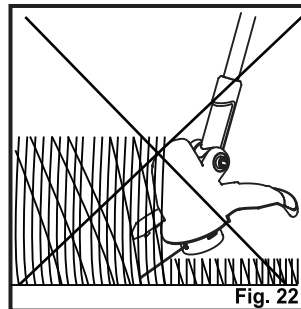
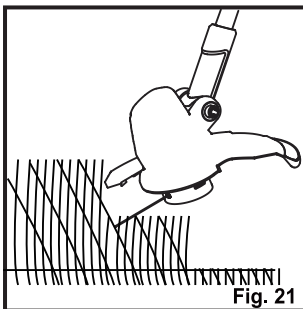
LA COUPE (voir Figures 20-25)

- Ne coupez pas de l'herbe humide car elle risque de rester collée aux dispositifs de coupe et de protection, ce qui empêche une évacuation correcte de l'herbe coupée et pourrait entraîner une chute par glissade.
- Attendez l'arrêt complet de l'appareil avant de le poser.
- Enlevez régulièrement les herbes coupées et tous autres déchets autour de la tête de coupe après retrait la batterie de l'appareil.
- Prêtez attention lorsque vous travaillez à proximité d'arbres et de buissons.



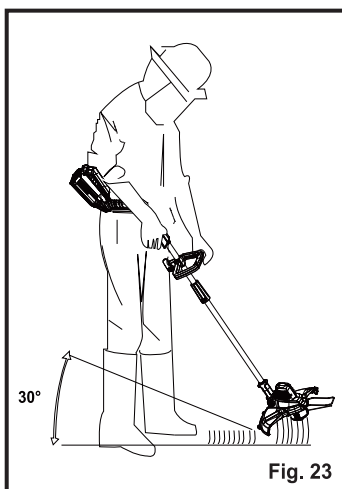
Le dispositif de coupe peut endommager l'écorce fragile ainsi que les piquets de clôtures.

- Travaillez de façon rythmique. Tenez-vous debout en gardant les pieds écartés. Coupez de la droite vers la gauche afin que les découpes soient projetées à distance de la zone de travail (Fig. 20).
- Pour une coupe efficace et pour ne pas endommager l'appareil, ne le déplacez pas trop rapidement.
- Coupez de manière répétitive du haut vers le bas et en plusieurs couches lorsque l'herbe est très haute (Figures 21 à 22).



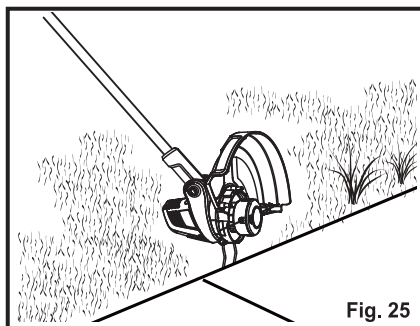
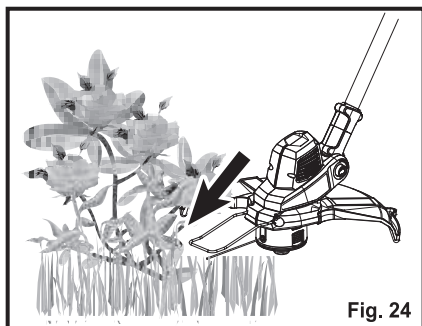
UTILISATION

- Maintenez la tête de coupe à un angle à environ 30° du sol lors de la coupe. Évitez de la presser contre le sol sauf en cas d'avancement de ligne (Fig. 23).



REMARQUE: Laissez le dispositif de coupe faire le travail. Laissez-le travailler à son propre rythme, ne forcez jamais dans la zone à couper.

- Lorsque vous êtes à proximité d'arbres et buissons, déplacez soigneusement l'appareil afin qu'il ne les touche pas. Utilisez la protection des fleurs afin de vous assurer que le dispositif de coupe ne soit pas en contact avec les plantes fragiles (Fig. 24).



- Réglez l'angle de la tête de coupe lorsque vous coupez sur les bords.
- Utilisez la protection des fleurs afin de vous assurer que le dispositif de coupe ne soit pas en contact avec des objets durs comme des murs ou des trottoirs (Fig. 25).

UTILISATION

APRÈS UTILISATION

- Éteignez l'appareil, retirez le bloc batterie et laissez-le refroidir.
- Vérifiez, nettoyez et entreposez l'appareil comme décrit ci-dessous.

NETTOYAGE GÉNÉRAL

- Nettoyez l'appareil à l'aide d'un chiffon sec. Utilisez une brosse pour les zones difficiles d'accès.
- Après chaque utilisation, nettoyez en particulier les orifices d'aération (11) à l'aide d'un chiffon et d'une brosse.
- Retirez la saleté tenace avec de l'air à haute pression (max. 3 bar).

REMARQUE: N'utilisez pas de produits chimiques, alcalins, d'abrasifs ou autres détergents ou désinfectants puissants pour procéder au nettoyage de cet appareil, ils risqueraient d'endommager la surface.

- Vérifiez qu'aucune pièce n'est endommagée ou usée. Remplacez les pièces usées si nécessaire ou contactez un centre de réparation agréé pour effectuer des réparations avant de réutiliser cet appareil.

DISPOSITIF DE SÉCURITÉ

- Le dispositif de sécurité doit rester propre et exempt de débris. Retirez les découpes.
- Lorsqu'il est usé ou endommagé, remplacez le dispositif de sécurité avec un dispositif du même type.

CHARGEUR

- En cas d'endommagement du cordon d'alimentation du chargeur, veuillez en confier le remplacement au fabricant, à son service de réparation ou à une personne possédant les mêmes qualifications, afin de prévenir tout risque.

ENTRETIEN

RÉPARATIONS

- Aucune des pièces de ce produit ne peut être réparée par le consommateur. Contactez un spécialiste qualifié pour vérification et réparation.

CONSERVATION

- Suivez les instructions de nettoyages décrites ci-dessus.
- Rangez le produit et ses accessoires dans un endroit sec et à l'abri du gel.
- Gardez-le toujours hors de portée des enfants. La température idéale de rangement est de 50 à 86 °F.
- Nous vous recommandons d'utiliser l'emballage d'origine pour l'entreposage de l'appareil, ou de le couvrir avec un chiffon adéquat afin de le protéger de la poussière.

TRANSPORT

- Mettez l'appareil hors tension et retirez le bloc batterie avant de le transporter.
- Fixez les protections de transport, le cas échéant.
- Portez toujours l'appareil par ses poignées.
- N'exposez pas l'appareil à des chocs violents ou à de fortes vibrations qui peuvent se produire lors du transport dans des véhicules.
- Fixez-bien l'appareil afin qu'il ne glisse pas ou ne tombe pas.

AVERTISSEMENT

Afin d'éviter les risques de blessures corporelles, d'incendie et d'électrocution, retirez le bloc batterie avant de procéder à tout réglage, inspection ou nettoyage du coupe-gazon.

NETTOYAGE

- Retirez le bloc batterie.
- Brossez ou éliminez les poussières et les débris des orifices d'aération en utilisant de l'air comprimé ou un aspirateur. Maintenez les orifices d'aération exempts d'obstructions, de sciure et de copeaux. Ne vaporisez pas les orifices d'aération, ne les lavez pas, ne les plongez pas dans l'eau.

ENTRETIEN

- Nettoyez les pièces en plastique et le boîtier à l'aide d'un tissu fin et humide. N'utilisez aucun solvant ou détergent sur le boîtier ou les composants en plastique. Certains produits de nettoyage domestique peuvent provoquer des dommages et des risques d'électrocution.

BLOC BATTERIE

- Rangez le bloc batterie entièrement chargé.
- Rechargez le bloc batterie chaque fois que vous constatez une baisse de la puissance. Ne laissez pas le bloc batterie se décharger complètement.
- Ne rechargez pas un bloc batterie dont la charge est déjà pleine. Toute surcharge réduit la durée de vie des batteries.
- Débranchez le bloc batterie lorsqu'il est chargé et retirez le chargeur de la prise.
- Ne rangez pas le bloc batterie sur l'outil, ni dans le chargeur.
- Rechargez la batterie à une température comprise entre 35.6-109.4°F. Si le bloc batterie est chaud, laissez-le refroidir avant de le recharger.

ENTRETIEN DU CHARGEUR

- Le chargeur doit rester propre et exempt de débris. Ne laissez pas des matières étrangères se poser dans la cavité renfoncée ou sur les contacts. Essuyez le chargeur à l'aide d'un chiffon sec. N'utilisez pas d'eau ou de solvants, et ne placez pas le chargeur dans un environnement humide.
- Débranchez le chargeur lorsqu'aucun bloc batterie ne s'y trouve.
- Chargez entièrement les batteries avant de les ranger. Ne rechargez pas un bloc batterie entièrement chargé.
- Toute surcharge réduit la durée de vie des batteries.
- Rechargez le bloc batterie chaque fois que vous constatez une baisse de la puissance. Ne laissez pas les batteries se décharger complètement.
- Rangez le chargeur à température ambiante normale. Ne le rangez pas dans une chaleur excessive. N'utilisez pas le chargeur en plein soleil. Rechargez à température ambiante comprise entre 35.6-109.4°F. Si le bloc batterie est chaud, laissez-le refroidir avant de le recharger.

DÉPANNAGE

Les dysfonctionnements présumés sont souvent dus à des problèmes que l'utilisateur peut réparer lui-même.

Vérifiez le produit à l'aide de cette section. Dans la plupart des cas, le problème peut être résolu rapidement.

AVERTISSEMENT

Suivez uniquement les étapes décrites dans ces instructions!

Si vous n'êtes pas en mesure de résoudre le problème, les travaux d'inspection, d'entretien et de réparation supplémentaires doivent être effectués par un centre de réparation agréé ou un spécialiste possédant les mêmes qualifications!

Problème	Cause probable	Solution
1. L'appareil ne démarre pas	1.1 Le bloc batterie n'est pas bien fixé 1.2 Le bloc batterie est déchargé 1.3 Le bloc batterie est endommagé 1.4 Autre défectuosité électrique de l'appareil	1.1 Fixez-le correctement 1.2 Retirez et chargez le bloc batterie 1.3 Faites-le vérifier par un électricien spécialiste 1.4 Faites-le vérifier par un électricien spécialiste
2. L'appareil n'atteint pas sa puissance maximale	2.1 La puissance du bloc batterie est trop faible 2.2 Les orifices d'aération sont bouchés	2.1 Chargez le bloc batterie 2.2 Nettoyez les orifices d'aération
3. Résultats insatisfaisants	3.1 Le dispositif de coupe est usé	3.1 Remplacez-la par une nouvelle

MISE AU REBUT DES BATTERIES DANS DES CONDITIONS RESPECTUEUSES DE L'ENVIRONNEMENT

Les produits toxiques et corrosifs suivants se trouvent dans les batteries utilisées avec ce bloc batterie:
Lithium-ion, une substance toxique.

AVERTISSEMENT

Tous les produits toxiques doivent être éliminés d'une manière déterminée afin de ne pas contaminer l'environnement. Avant la mise au rebut des blocs batteries à Lithium-Ion endommagés ou usagés, contactez l'entreprise locale d'élimination des déchets, ou l'agence locale de protection de l'environnement pour obtenir des informations et des instructions spécifiques.

AVERTISSEMENT

Si le bloc batterie se fend ou se casse, avec ou sans fuites, ne le rechargez pas et ne l'utilisez plus. Mettez-le au rebut et remplacez-le par un nouveau bloc batterie. **N'ESSAYEZ PAS DE LE RÉPARER!** Afin d'éviter des blessures et des risques d'incendie, d'explosion ou d'électrocution, et pour éviter de causer des dommages à l'environnement:

- Recouvrez les bornes de la batterie avec du ruban adhésif solide.
- N'ESSAYEZ PAS de retirer ou de détruire l'un des composants du bloc batterie.
- N'ESSAYEZ PAS d'ouvrir le bloc batterie.
- Si une fuite se produit, les électrolytes libérés sont corrosifs et toxiques. ÉVITEZ tout contact de la solution avec les yeux ou la peau, et ne l'avalez pas.
- NE mettez PAS ces batteries dans vos ordures ménagères.
- NE LES INCINÉREZ PAS.
- NE LES PLACEZ PAS dans un site d'enfouissement des déchets ou dans le flux de déchets urbains solides.
- Apportez-les dans un centre de recyclage ou d'élimination agréé.

GARANTIE DE LA TONDEUSE LawnMaster® 60V



LawnMaster®

GARANTIE LIMITÉE de la tondeuse LawnMaster® 60V

Nous sommes fiers d'avoir fabriqué un produit durable de qualité supérieure. Ce produit LawnMaster® comporte une garantie limitée de quatre (4) ans contre tout défaut de fabrication et défaillance matérielle à compter de sa date d'achat, sous réserve de conditions normales d'usage résidentiel. Si ce produit est utilisé dans la prestation de services commerciaux ou loué à une tierce personne, la présente garantie est annulée. **Les batteries et chargeurs comportent une garantie de deux ans contre tout défaut de fabrication et défaillance matérielle à compter de la date d'achat.** Les batteries doivent être chargées conformément aux directives et réglementations du manuel d'utilisation pour être valides. La garantie ne couvre pas les dommages résultant d'éventuelles modifications apportées au produit, d'une utilisation abusive directe ou indirecte, de la négligence, d'une utilisation incorrecte, d'accidents, de réparations et du manque d'entretien. Veuillez conserver votre reçu/liste d'emballage comme preuve d'achat. Cette garantie vous accorde des droits légaux spécifiques, mais vous pouvez avoir d'autres droits qui varient selon les États. Si vous avez des questions au sujet de ce produit, appelez le service clientèle au 866-384-8432.

Articles non couverts par la garantie :

1. toute pièce devenue inopérante suite à une modification, un usage impropre, une utilisation commerciale, une utilisation abusive, de la négligence, un accident ou un entretien incorrect;
2. L'unité, si elle n'a pas été utilisée et/ou entretenue conformément au manuel d'utilisation;
3. l'usure normale, exception faite des cas ci-dessous;
4. articles d'entretien de routine comme les lubrifiants, l'affûtage des lames, etc.;
5. détérioration normale du revêtement extérieur du fait de l'utilisation ou de l'exposition aux intempéries;
6. pièces susceptibles d'usure résultant d'une utilisation normale au cours de la période de garantie, comme les lames, les sacs de récupération, les bobines, les jupes des bobines, etc.

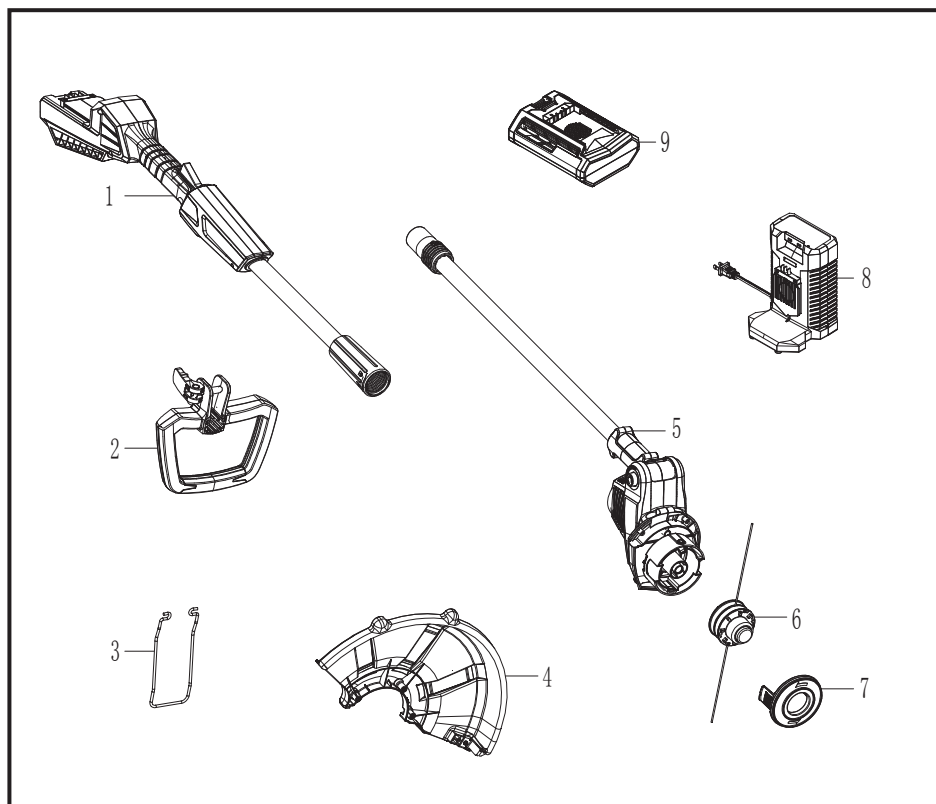
Frais de transport: Les frais de transport pour l'acheminement de toute unité d'équipement motorisé ou d'accessoires sont à la charge de l'acheteur. Il incombe à l'acheteur de payer les frais de transport de toute pièce soumise à des fins de remplacement dans le cadre de cette garantie, sauf si ce retour est demandé par écrit par LawnMaster.

LA PRÉSENTE GARANTIE S'APPLIQUE UNIQUEMENT À L'ACHETEUR INITIAL DU PRODUIT SUR PRÉSENTATION D'UNE PREUVE D'ACHAT.

LA PRÉSENTE GARANTIE SERA RÉPUTÉE NULLE SANS PREUVE D'ACHAT.

VUE ÉCLATÉE

VUE ÉCLATÉE DU MODÈLE CLGT6014A



LISTE DES PIÈCES

LISTE DES PIÈCES DU MODÈLE CLGT6014A			
Numéro de la pièce	Numéro de pièce	Description	Quantité
1	121058101	Montage de la poignée principale	1
2	121058102	Montage de la poignée auxiliaire	1
3	121058103	Protection des fleurs	1
4	121058104	Protection contre les débris	1
5	121058105	Montage du bloc moteur	1
6	RS0606	Bobine	1
7	121058107	Jupe de la bobine	1
8	60LFC01-ETL	Chargeur de batterie lithium-ion 60 V	1
9	60LB2021-S	Batterie 60 V au lithium-ion	1

* Les pièces surlignées en gris sont disponibles en tant qu'accessoires pouvant être achetés ultérieurement.

