



HOW TO MAKE A HOME RUN.™

# Installation

## G U I D E

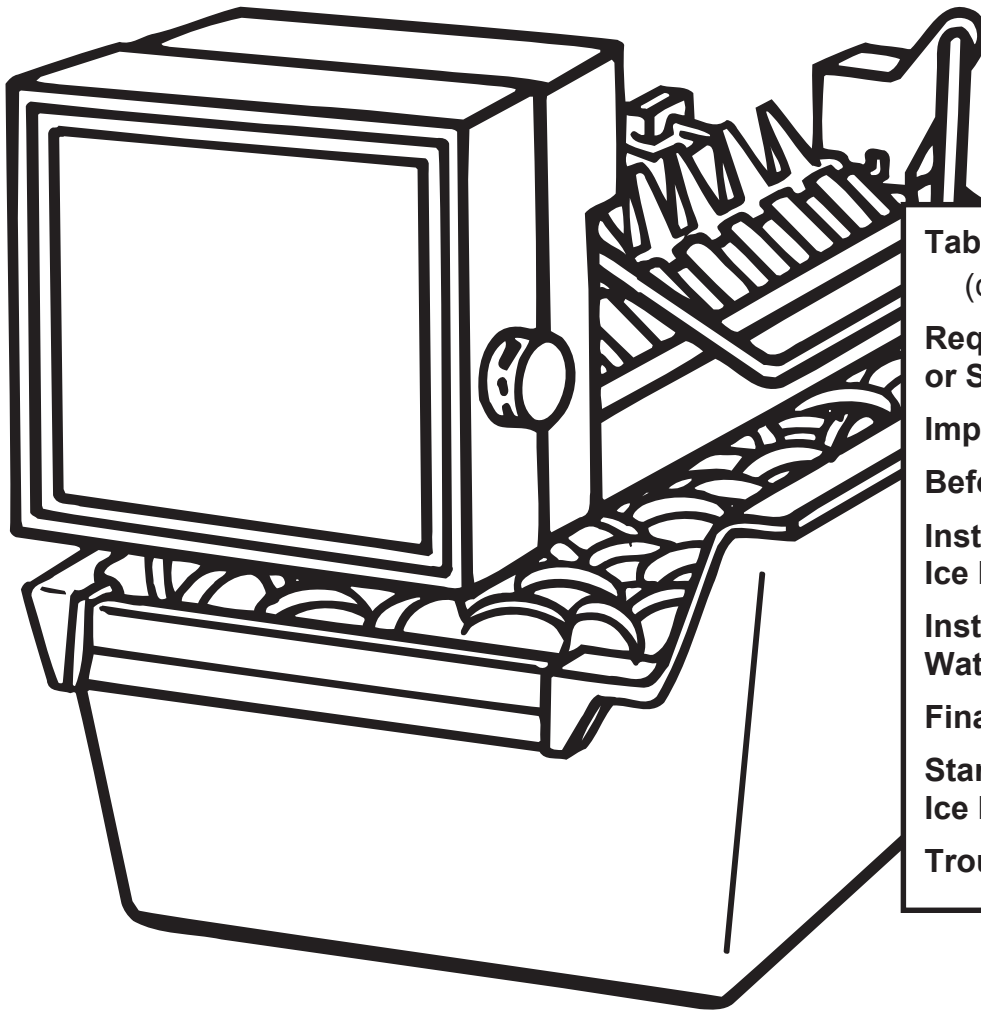


Table of Contents (complete) .....	2
Requesting Assistance or Service .....	2
Important Information ...	3
Before You Begin .....	4
Installing the Ice Maker .....	5
Installing the Water Line .....	7
Final Installation .....	13
Starting the Ice Maker .....	15
Troubleshooting .....	16

### EZ CONNECT ICE MAKER KIT

# Table of Contents

	Page		Page
<b>Requesting Assistance or Service</b> .....	<b>2</b>	Connecting the copper tubing to the shut-off valve .....	<b>10</b>
<b>Important Information</b> .....	<b>3</b>	Connecting the copper tubing to the water valve .....	<b>11</b>
<b>Before You Begin</b> .....	<b>4</b>	Turning the water on .....	<b>12</b>
Tools .....	<b>4</b>	<b>Final Installation</b> .....	<b>13</b>
Installation notes .....	<b>4</b>	Installing the access cover and forming the copper tubing .....	<b>13</b>
Components .....	<b>4</b>	Connecting the power/leveling the unit .....	<b>14</b>
<b>Installing the Ice Maker</b> .....	<b>5</b>	<b>Starting the Ice Maker</b> .....	<b>15</b>
Making preparations .....	<b>5</b>	<b>Troubleshooting</b> .....	<b>16</b>
Mounting the ice maker .....	<b>6</b>	Operational notes .....	<b>16</b>
<b>Installing the Water Line</b> .....	<b>7</b>	Troubleshooting chart .....	<b>16</b>
Choosing a location .....	<b>7</b>	The modular ice maker service sheet ....	<b>17</b>
Routing the copper tubing .....	<b>8</b>	Ice maker replacement parts list .....	<b>18</b>
Installing the shut-off valve .....	<b>9</b>		

## Requesting Assistance or Service

If you need assistance, contact your dealer, or call the Whirlpool Consumer Assistance Center toll-free, 1-800-253-1301, 24 hours a day.

# Important Information

The following information is used throughout this Installation Guide. Read it carefully so you are familiar with it.

## Your safety and the safety of others are very important.

We have provided many important safety messages in this manual and on your appliance. Always read and obey all safety messages.



This is the safety alert symbol.

This symbol alerts you to potential hazards that can kill or hurt you and others.

All safety messages will follow the safety alert symbol and either the word "DANGER" or "WARNING." These words mean:

**⚠ DANGER**

**You can be killed or seriously injured if you don't immediately follow instructions.**

**⚠ WARNING**

**You can be killed or seriously injured if you don't follow instructions.**

All safety messages will tell you what the potential hazard is, tell you how to reduce the chance of injury, and tell you what can happen if the instructions are not followed.

- This Installation Guide gives you complete instructions on how to install the Ice Maker Kit in your refrigerator-freezer and connect a water line to it. Please read the guide carefully and follow the instructions exactly as described. Also, make sure that you observe all of the "safety" instructions.
- This kit is designed so that almost anyone can install it; however, a certain amount of mechanical ability is required.
- Before you start to install your Ice Maker Kit, you will have to purchase a copper tubing kit that contains a "Regular Valve and Clamp Assembly" (for refrigerators with an automatic ice maker, or self-filling trays). The kit contains all of the hardware necessary to connect your ice maker to the water supply. You can purchase one at most hardware or plumbing supply stores.
- **DO NOT USE PIERCING-TYPE, OR  $\frac{3}{16}$ " SHUT-OFF VALVES.** They reduce the flow of water to the ice maker, and are easily clogged.
- **DO NOT USE POLYETHYLENE TUBING** to connect the ice maker to the water line. Use only  $\frac{1}{4}$ " (O.D.) copper tubing.

**CUSTOMER INSTALLATION IS NOT WARRANTED BY THE REFRIGERATOR OR ICE MAKER MANUFACTURER.**

# Before You Begin

## Tools

Gather required tools and parts before starting installation. Read and follow the instructions provided with any tools listed here.

1. Regular screwdriver
2. Phillips screwdriver
3.  $\frac{7}{16}$ " and  $\frac{1}{2}$ " open-end wrenches (or an adjustable wrench)
4. Pliers
5.  $\frac{1}{4}$ " nut driver
6. Hand drill with  $\frac{1}{4}$ " drill bit
7. Small hand level (optional)
8. Small  $\frac{3}{4}$ -round file
9. Tubing cutter
10. Center punch
11. Hammer
12. Scissors
13. Ruler
14. Step stool (optional)

## Installation notes

1. Follow all of the instructions. Read through the entire step so that you understand it before you perform it.
2. The illustrations in this Installation Guide are meant to clarify the installation steps you need to perform. For each set of steps shown, refer to the diagram immediately beside or below the text for clarification. Some illustrations also contain "DETAILS." DETAILS are contained in bubbles alongside the larger illustration. A DETAIL shows a close-up illustration of a certain portion of a diagram or an illustration of a specific step you are to perform. DETAILS are labeled A, B, C or D and are clearly referenced in each step.
3. When you are instructed to install a part, position the part as shown in the illustration.

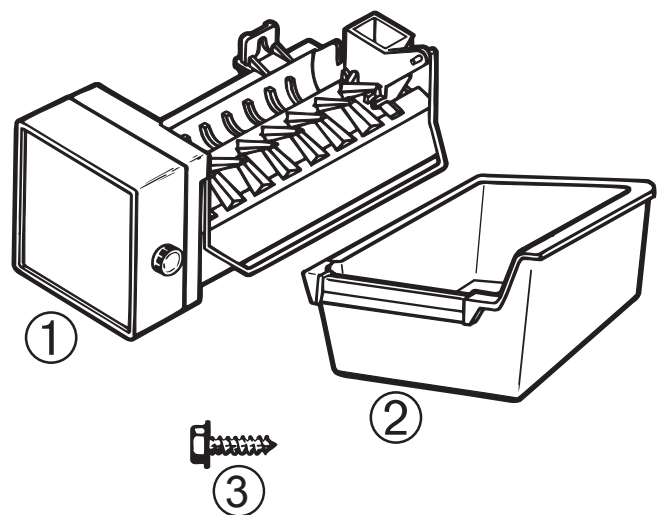
## Components

Remove the contents from the shipping carton and set them on a table where they can be easily identified and located. Check all of the components in the kit against the following list to help you become familiar with them. When you identify a component, place a check mark (✓) after it. The KEY numbers correspond to the "Component Illustrations."

Do not discard any of the packing material until you account for all of the components. If you need to order a replacement part for the Ice Maker, a replacement parts list is provided on page 18.

KEY	QTY.	DESCRIPTION
1	1	Ice maker
2	1	Ice bucket
3	1	$\frac{1}{2}$ " hex-head sheet-metal screws

### COMPONENT ILLUSTRATIONS



# Installing the Ice Maker


## Making preparations

Refer to the illustration below for the following steps.

1. Pull the refrigerator away from the wall so that you can easily access the rear panel.

**IMPORTANT:** Make sure to protect the floor from any damage.

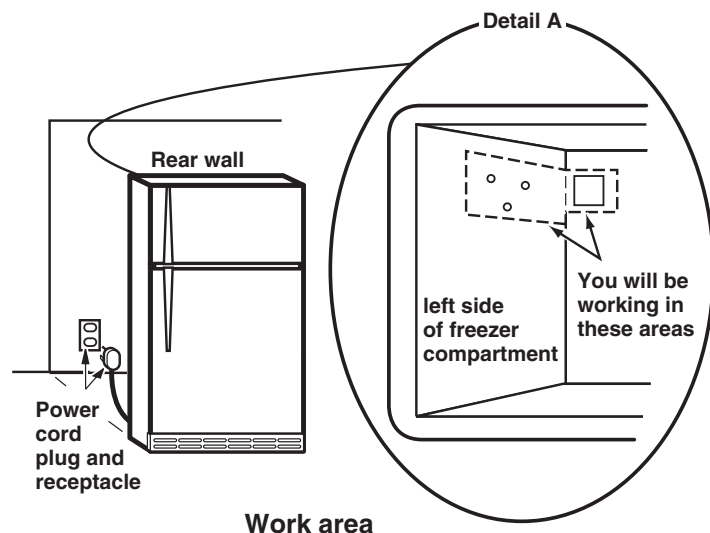
**⚠ WARNING**



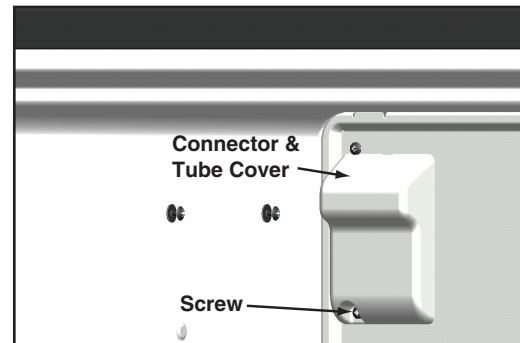
**Electrical Shock Hazard**  
Disconnect power before installing ice maker.  
Failure to do so could result in death or electrical shock.

2. Unplug Refrigerator or disconnect power.
3. Open the freezer door and remove all of the food items from inside the freezer compartment.
4. On top-mount models without a full-width freezer shelf, remove the ice tray shelf. Place the shelf aside, as you will use it later to support the ice bucket.

**NOTE:** The work area for refrigerator-freezer is shown in DETAIL A below.

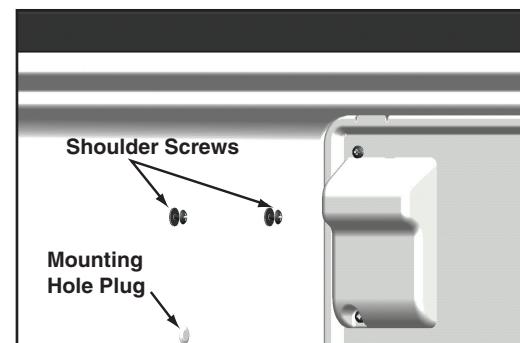


5. Remove the screw from the ice maker connector & tube cover.



Removing connector & tube cover

6. Insert the end of a small-bladed screwdriver under the edge of the ice maker mounting hole plug in the side of the freezer liner, and pry it out of its hole. You can discard the plug.



**NOTE:** Verify the shoulder screws are in position.

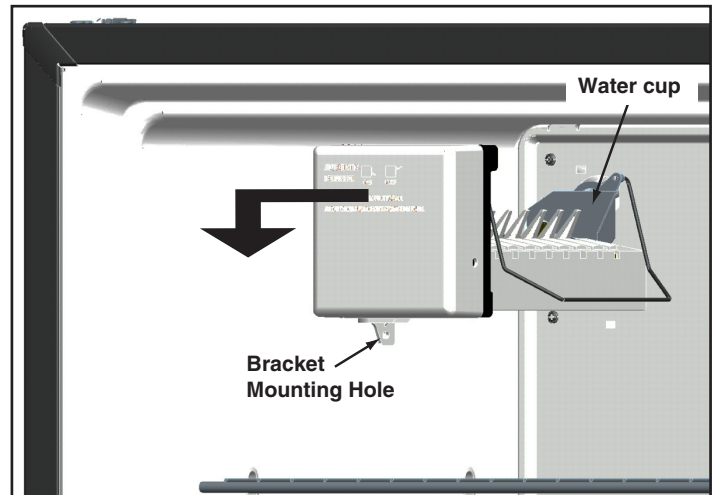
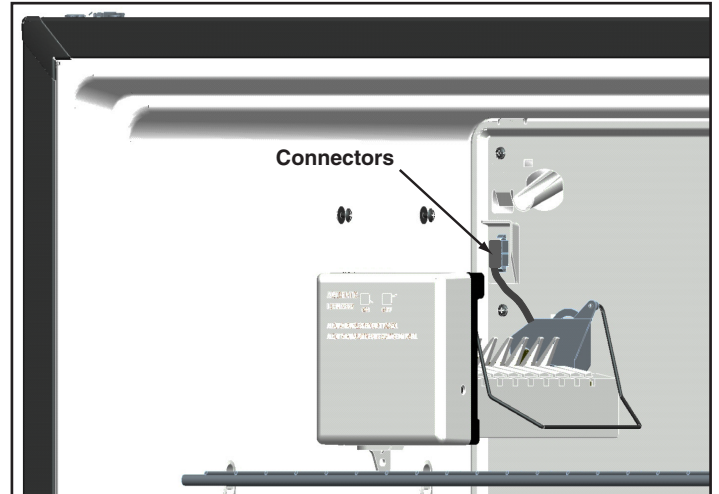
## Mounting the Ice Maker

Refer to the side diagrams for the following steps.

7. Position the ice maker inside the freezer compartment and connect its wiring connector to the wiring harness connector so they lock together (the locking arm will snap over the raised tab). The connectors will fit together only one way.
8. Hang the ice maker from the tabs on the shoulder screws shown earlier. Make sure that the bracket mounting hole is aligned with the mounting hole in the freezer liner.

**NOTE:** Guide fill tube into water cup hole.

9. Mount the ice maker to the freezer liner mounting hole with the  $\frac{1}{2}$ " hex-head sheet-metal screw provided.



Mounting the ice maker

# Installing the Water Line

---

## Choosing a location

1. Open the copper tubing kit that you purchased earlier, and lay the contents neatly on a table where you can identify them easily. The parts from the kit that you will use are as follows:

- 1 Regular Valve (not the steel-piercing type)
- 2 Compression Sleeves
- 2 Compression Nuts
- 2 Clamps
- 2 Screws
- 2 Nuts
- 1 Gasket Seal \*
- 1 Length of Coiled Copper Tubing

\* - not needed for 11 Cubic Foot Top Freezer Models (24ECKMF kit)

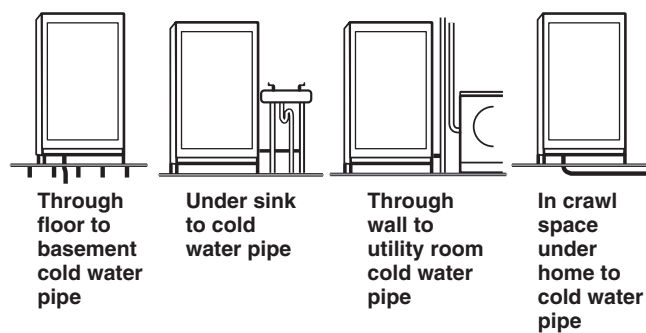
**NOTE:** When you work with the soft copper tubing, be careful not to kink it. If you accidentally kink the tubing, do not use it.

**IMPORTANT:** Do not install water line tubing in a location where the temperature may fall below freezing; otherwise, property damage could occur.

2. Choose a suitable water pipe location to install the water shut-off valve (see side diagram for some suggested locations). We recommend installing the valve on a vertical length of cold (not hot) water pipe that is nearest your refrigerator. If a vertical length of pipe is not nearby, you can use a horizontal length of water pipe, however, you will have to drill the access hole for the valve into the top or side of the pipe (not the bottom). This will keep water in the pipe from flowing down onto the drill, and also keep sediment from collecting in the valve later.

**NOTE:** Depending on the location of the horizontal pipe in relation to the floor and wall, drilling into it may not be possible.

3. Drill a  $\frac{3}{8}$ " hole through the floor or wall to the water pipe.

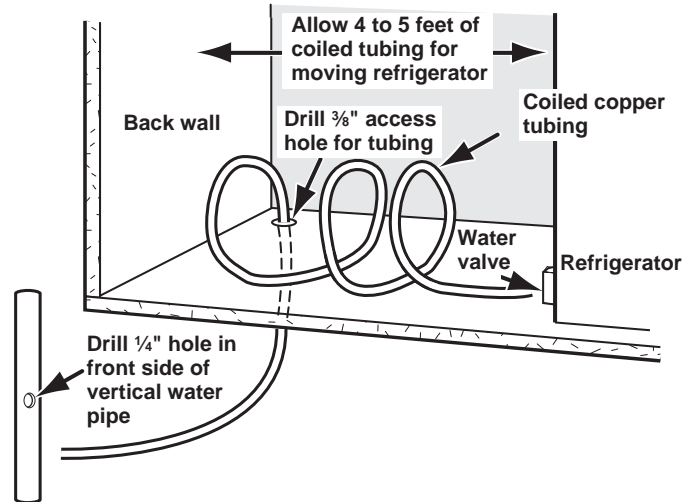


Typical water pipe locations

## Routing the copper tubing

Refer to the side diagram for the following steps.

1. Uncoil the necessary length of copper tubing and straighten it, then route the end of the tubing through the access hole you drilled to the location you have chosen to install the shut-off valve. Straighten only enough of the copper tubing to reach this location. Leave the rest coiled near the access hole.
2. At this time, make sure that you have been supplied with enough tubing so that when you are finished connecting the water line, you will have enough coiled behind the refrigerator to easily move it forward far enough to clean behind it. Also make sure that the coils are large enough so that when the unit is pulled forward, the windings will not stretch too far and kink.
3. Turn off the cold water supply going to the water pipe where you will be installing the shut-off valve.
4. Open a cold water tap that is connected to the selected water pipe and bleed off the water pressure. Leave the tap open until after you complete the water line hook up.
5. Use a hammer and a center punch, and mark the location of the hole for the shut-off valve. If you are marking copper tubing, do not strike the punch hard enough to bend it.



Routing the copper tubing

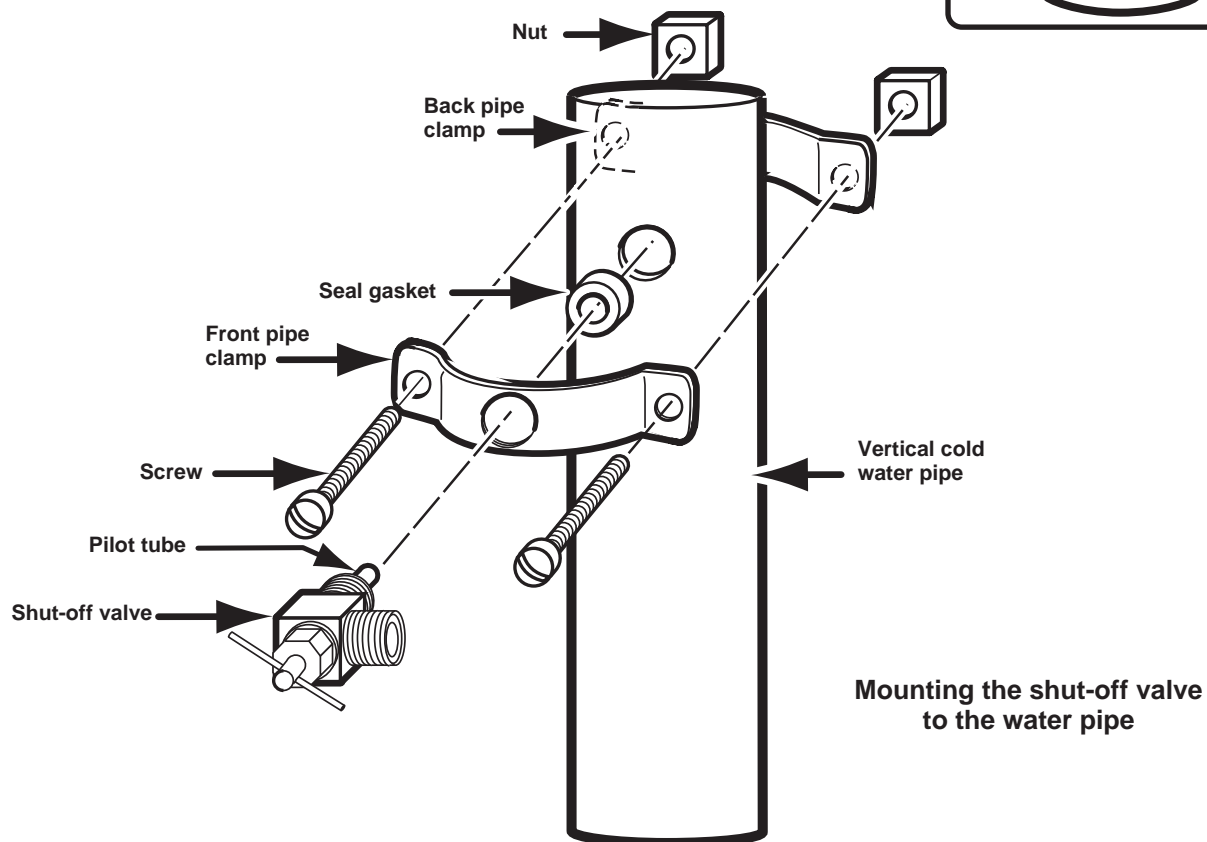
6. Install a  $\frac{1}{4}$ " bit in the drill, and carefully drill an access hole through just the front side (not through both sides) of the cold water pipe.
7. Check the hole and make sure that you have drilled completely through one side of the pipe. The edges of the hole should be smooth and round. If necessary, use a small  $\frac{3}{4}$ -round file to remove any rough edges from inside the hole, and any burrs from around the top of the hole.



## Installing the shut-off valve

Refer to the diagram below for the following steps.

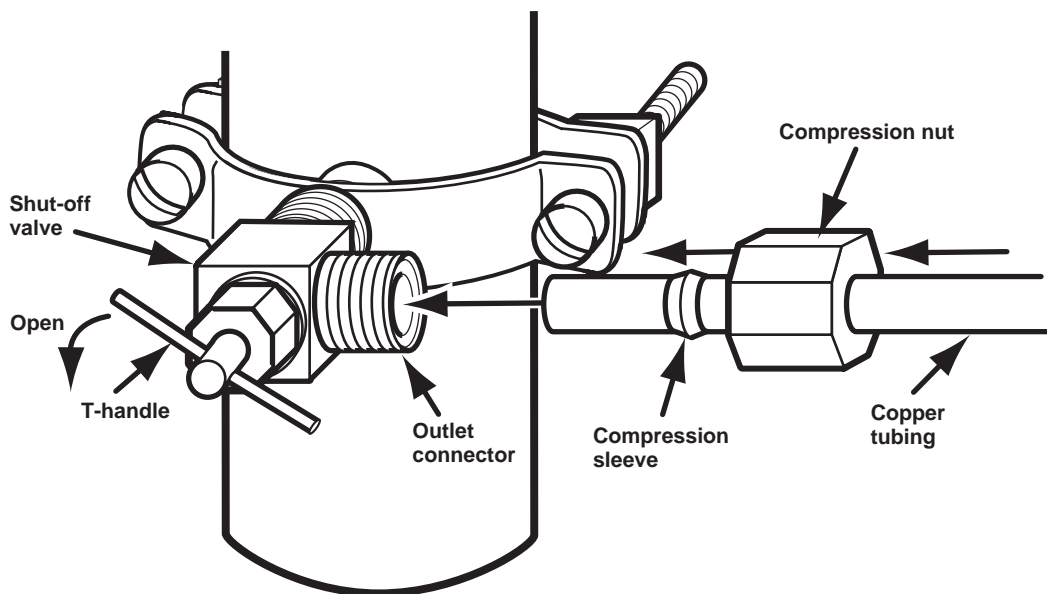
1. Locate the shut-off valve and the front pipe clamp (with the threaded hole in the center) from the copper tubing kit. Then, being careful not to crossthread the valve, screw the end with the pilot tube into the threaded hole of the clamp. Hand-tighten the valve as far as it will go (the threaded shaft is slightly tapered and can only be tightened so far).
2. Use a  $\frac{1}{2}$ " open-end (or adjustable) wrench, and turn the body of the shut-off valve an additional  $\frac{1}{8}$ -turn to secure it to the clamp.
3. Slide the rubber seal gasket (from the copper tubing kit) over the pilot tube (the unthreaded portion) of the shut-off valve.
4. Carefully slide the pilot tube of the shut-off valve into the water pipe access hole so it is against the seal gasket, and install the back pipe clamp over the water pipe. Secure the clamps to the pipe with the two screws and nuts that were supplied with the copper tubing kit. Tighten the nuts equally so that the space between the clamps is the same (see DETAIL A). **DO NOT OVERTIGHTEN** the nuts, or you could deform the clamps and damage the seal gasket.



## Connecting the copper tubing to the shut-off valve

Refer to the diagram below for the following steps.

1. Straighten a 2" section of copper tubing and make sure that the opening is round and cut evenly across the end. If necessary, use a tubing cutter (or a hacksaw) and cut the end off, then file it so it is even, and remove any burrs from around the inside and outside edges so it is smooth and round. When you are finished, clean the filings from inside the tubing as much as possible.
2. Position the compression nut as shown, and slide it over the end of the copper tubing.
3. Slide a compression sleeve over the copper tubing until it is approximately 1" from the end.
4. Insert the end of the copper tubing into the outlet connector of the shut-off valve as far as it will go, and then hand tighten the compression nut as much as possible.
5. Use a 1/2" open-end wrench, and further tighten the compression nut on the shut-off valve *one additional turn*. If necessary, you will tighten the nut further after you turn on the water supply.
6. Turn the T-handle on the shut-off valve to its fully "open" (counterclockwise rotation) position.



Connecting the copper tubing to the shut-off valve

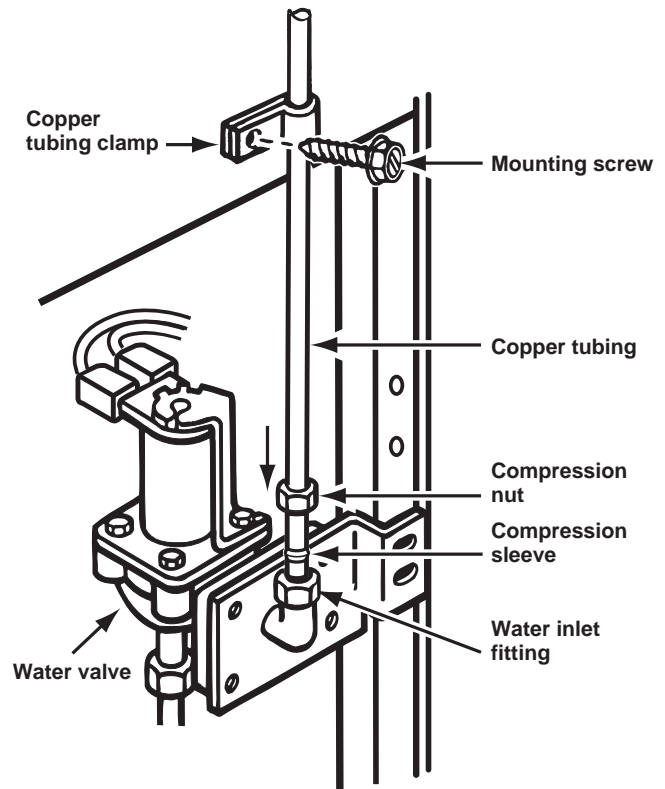
## Connecting the copper tubing to the water valve

Refer to the diagram below for the following steps.

1. Check to make sure that the free end of the tubing is round and cut even. If necessary, prepare the end in the same manner as you did earlier. Be sure to clean the filings from inside the tubing after you prepare the end.

When you perform the next step, be careful not to kink the copper tubing.

2. Starting at the free end, straighten approximately 20" of the copper tubing.
3. Close the water tap you left open earlier to bleed the water lines.
4. Insert the end of the copper tubing into a pail, and have someone turn on the water supply. Allow enough water to flow through the lines to thoroughly flush them out. Once the water runs clear, turn off the supply and bleed the lines.
5. Remove the strain relief clamp from the rear of the cabinet and slide it over the end of the copper tubing. Make sure you position the flanges as shown.
6. Slide a compression nut over the free end of the copper tubing.
7. Slide a compression sleeve over the copper tubing and position it 1" from the end.
8. If one is installed, remove the plastic cap from the water inlet fitting on the water valve and discard the cap.
9. Insert the end of the tubing into the water inlet connector at the top of the water valve as far as it will go, and hand tighten the compression nut as much as possible.
10. Use a ½" open-end wrench, and further tighten the compression nut on the water inlet connector *one additional turn*. If necessary, you will tighten the nut further after you turn on the water supply.
11. Mount the strain relief clamp to the back of the cabinet with the hex-head screw you removed earlier.

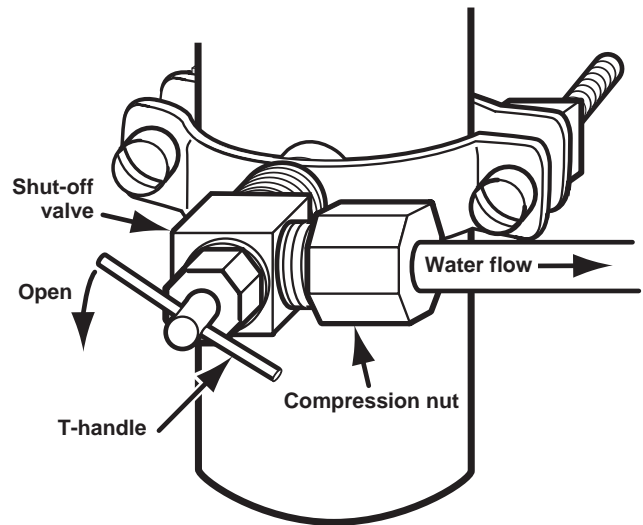


Connecting the copper tubing to the water valve

## Turning the water on

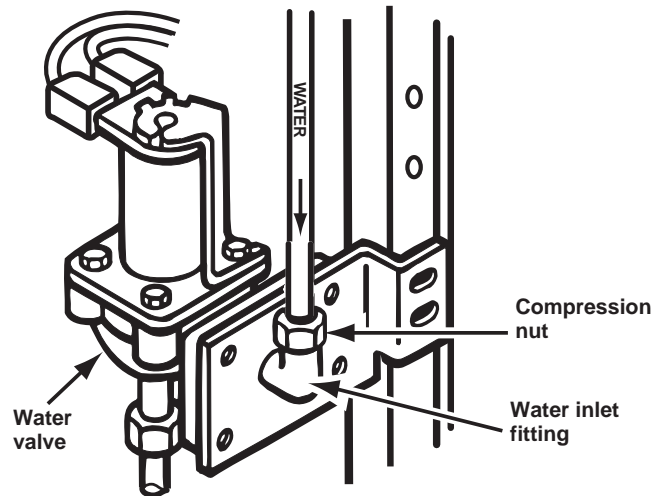
**NOTE:** Be very careful when you tighten the compression nuts that you do not overtighten them and destroy the compression sleeving and the end of the soft copper tubing. If this happens, you will have to cut off the end of the tubing, purchase a new compression sleeve, and start over. Be careful and go slow!

1. Turn on the water supply and check the shut-off valve for leakage. If necessary, refer to the side diagram, and tighten the compression nut on the shut-off valve *in small increments until the leakage just stops*. Wipe off the connection with a cloth each time you check for leaks.



Tightening the shut-off valve connection

2. Check the water valve for any leakage. If necessary, tighten the compression nut (see the side diagram) *in small increments until the leaking just stops*.

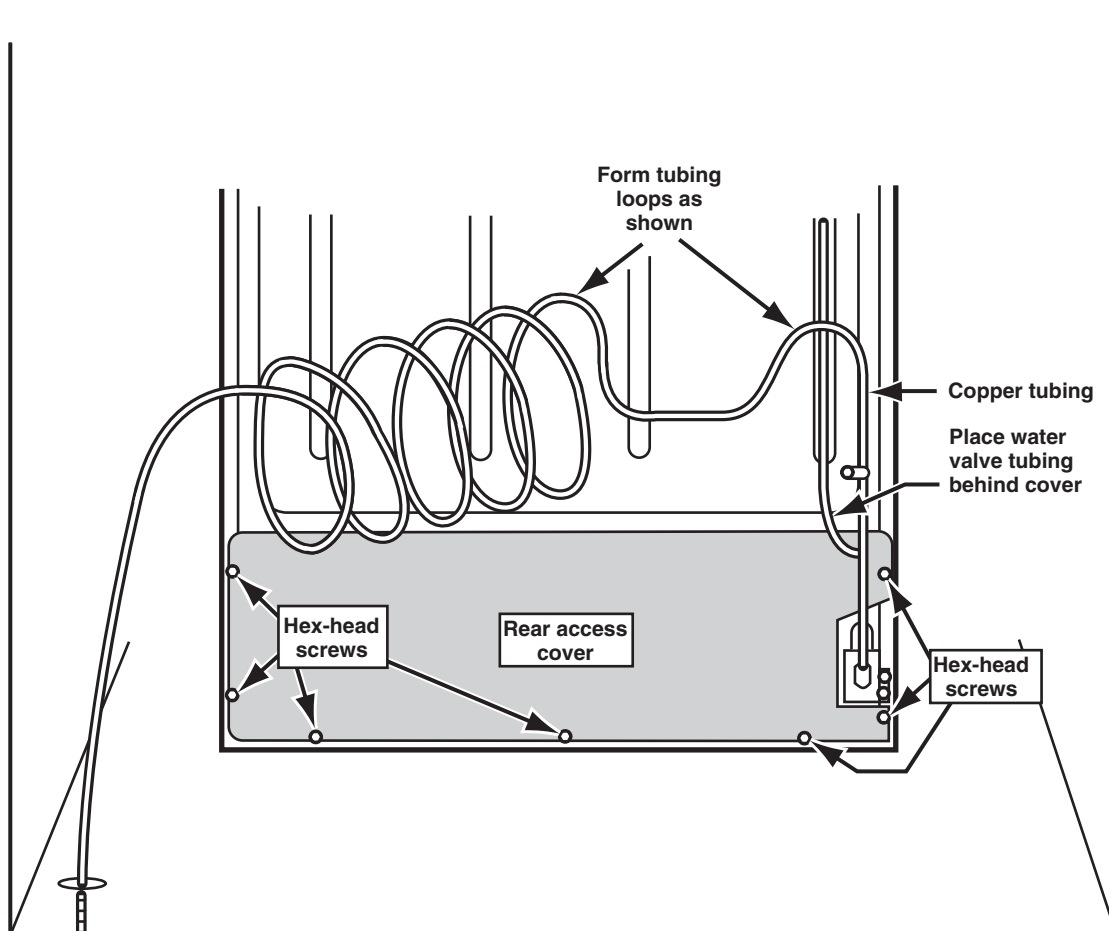


Tightening the water valve connection

# Final Installation

## Installing the access cover and forming the copper tubing

1. Reinstall the rear access cover on the refrigerator so the water valve tubing is inside the cover, and the copper water line is outside (see the diagram below), then secure the cover with the seven hex-head screws you removed earlier.
2. Loop the copper tubing coming from the water valve as shown. Position the coiled copper tubing near the center of the unit so that it forms an “accordion-fold” (as shown in the diagram below) when it is moved to-and-from the wall.



Installing the access cover and forming the copper tubing

## Connecting the power/leveling the unit

### **⚠ WARNING**



#### **Electrical Shock Hazard**

**Plug into a grounded 3 prong outlet.**

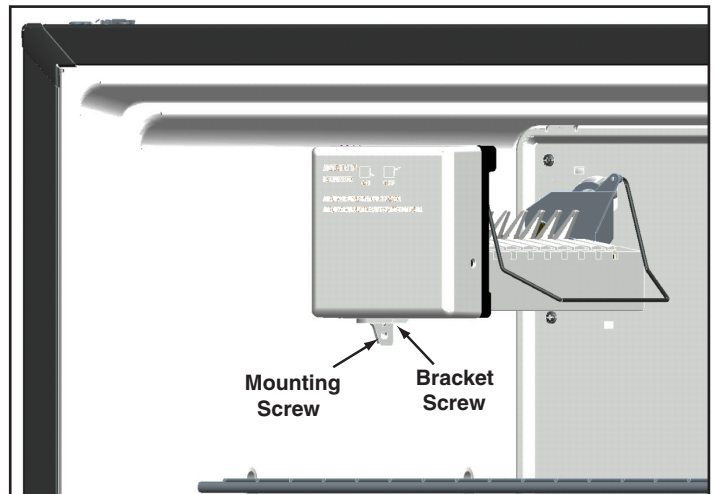
**Do not remove ground prong.**

**Do not use an adapter.**

**Do not use an extension cord.**

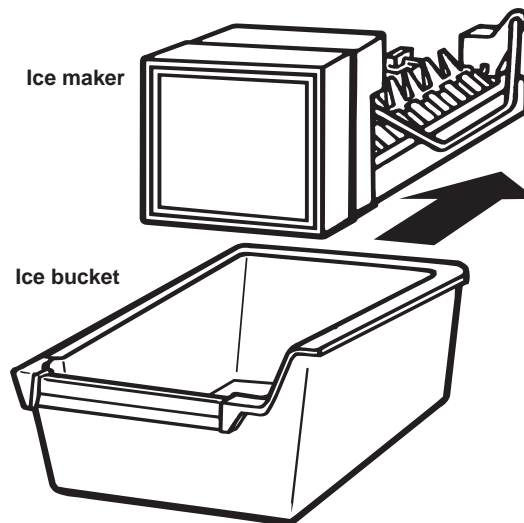
**Failure to follow these instructions can result in death, fire, or electrical shock.**

1. Plug the power cord into its AC outlet, and carefully push the refrigerator back against the wall.
2. Place a level on top of the cabinet. If you need to relevel the refrigerator, follow the procedure to adjust the front casters, as outlined in your refrigerator's "Use and Care Guide."
3. Check the position of the ice maker. If it is crooked and needs to be adjusted, loosen the mounting screw and bracket screw (see the side diagram), position the ice maker as desired then tighten the screws.



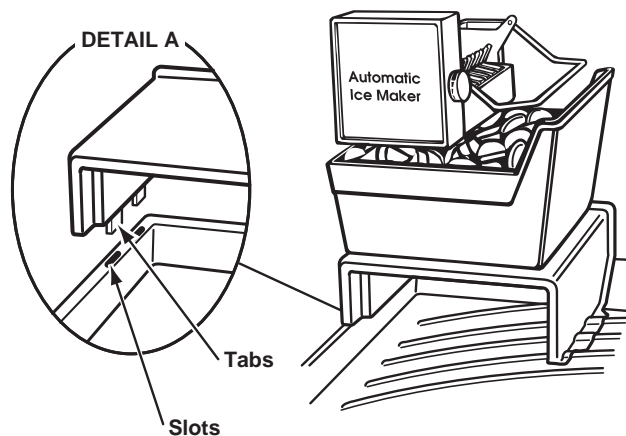
# Starting the Ice Maker

1. Wash out the ice bucket, and then slide it under the ice maker (see the side diagram) as far as it will go. The ice bucket will be sitting on top of the freezer shelf.



Installing the ice bucket

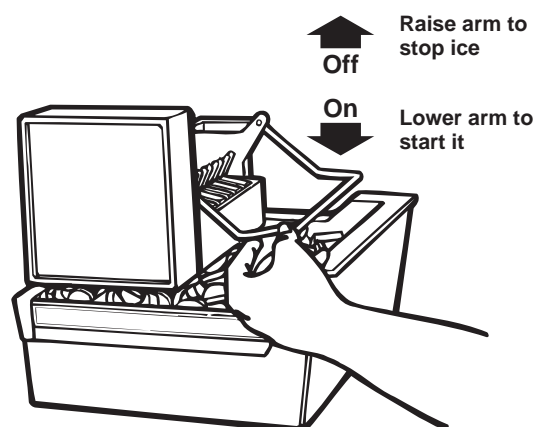
**IMPORTANT:** On top-mount models without a full-width freezer shelf, you will need to place the ice bucket on top of the inverted ice tray shelf. First, position the ice tray shelf face down so that the shorter side is alongside the freezer wall (see DETAIL A). Then insert the tabs on the shorter side of the shelf into the slots on the edge of the freezer floor. This will hold the shelf in position. Next, place the ice bucket on top of the inverted ice tray shelf and slide it under the ice maker (see side diagram). The ice maker will not function properly if the ice bucket is placed directly on the freezer floor.



2. Place the items back into the freezer compartment.
3. Lower the arm on the ice maker (see the side diagram) to its “on” position, and close the freezer door. The ice maker will begin to make ice within 24 hours.

**NOTE:** It usually takes approximately 24 hours for the ice maker to begin producing ice. Once ice is available, you may notice that it has an “off taste.” If this happens, make two or three batches of ice and discard them. After that, the “off-taste” should be gone. If you have any problems, refer to “Troubleshooting” on page 16.

This completes the installation of your Ice Maker.



Turning the ice maker on

# Troubleshooting

## Operational notes

1. The Ice Maker water valve contains a flow washer that acts like a pressure regulator to control the water flow. For the Ice Maker to work properly, the water pressure in your home must be between 20 and 120 pounds per-square-inch (psi). If you encounter problems with your Ice Maker's ability to produce ice, call your water utility company and have the water pressure checked.
2. The Ice Maker's water valve is equipped with two strainers: a plastic basket type and a wire-mesh screen. Both of these can be cleaned by turning off the water and disassembling the water valve (your service center should be able to provide this service). If local water conditions require periodic cleaning, or if you use a well as a water source, you should consider installing a second water strainer in the water line. You can obtain a water strainer from your local appliance dealer.

---

## Troubleshooting chart

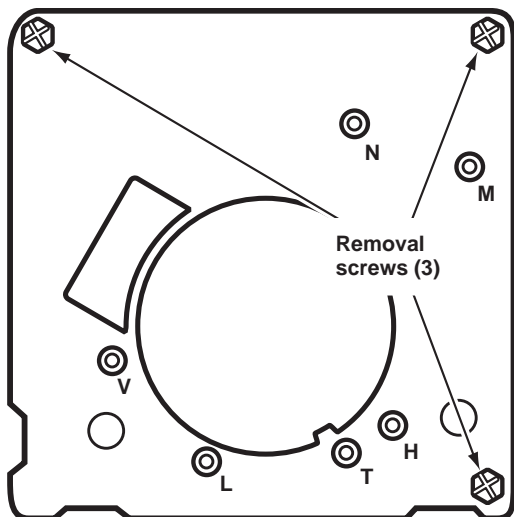
The following chart lists several common problems that could occur with your Ice Maker.

PROBLEM	CAUSE
One or more of the following sounds is heard: <ul style="list-style-type: none"><li>• Buzzing</li><li>• Trickling water</li><li>• Thud (clatter of ice)</li></ul>	The water valve is operating. Water is entering the Ice Maker fill cup. Ice is being dumped into the ice bin.
Ice tastes stale.	The ice is old. Make a new batch.
Water in Ice Maker overflows.	Refrigerator or Ice Maker is not level. If the Ice Maker still overflows after leveling, turn off the Ice Maker's water supply at the shut-off valve, and raise the Ice Maker's bail arm to the "off" position (see page 15); then contact your local service center.
Not enough ice.	It will take 48 hours to fill the ice bucket. The ice maker will make ice every 2 to 3 hours. For more ice, adjust the freezer control for a colder setting.
Ice making has stopped.	Be sure that the bail arm is lowered into the ice bucket (see page 15).  Make sure that the water shut-off valve is on.  The water shut-off valve or the water valve screen is clogged (contact your local service center).



# The modular ice maker service sheet

## Module Test Points



## Specifications

MOLD HEATER – 185 WATTS, 72 OHMS  
 THERMOSTAT – CLOSE  $17^{\circ} \pm 3^{\circ}$   
 (BIMETAL) OPEN  $32^{\circ} \pm 3^{\circ}$   
 WATER FILL – 140CC, 7.5 SEC.  
 MOTOR – 1.5 WATTS, 8800 OHMS  
 MODULE – STAMPED CIRCUIT,  
 PLUG-IN CONNECTORS  
 CYCLE – ONE REVOLUTION  
 (EJECTS AND WATER FILL)  
 FOR 120 VOLT MODEL

## Water level adjustment

TURNING THE SCREW CLOCKWISE DECREASES THE WATER FILL.

- $\frac{1}{2}$  TURN EQUALS 20CC OR 1.2 SEC.
- FULL TURN EQUALS 40CC OR 2.4 SEC.
- MAXIMUM ADJUSTMENT IS ONE FULL TURN EITHER DIRECTION. ADDITIONAL ROTATION COULD DAMAGE MODULE.

MODULE OHMMETER CHECKS (NO POWER TO ICE MAKER AND EJECTOR BLADES IN PARK)			
TEST POINTS	COMPONENT	MODULE POSITION	OHMS
L-H	MOLD HEATER	ATTACHED TO SUPPORT	72
L-M	MOTOR	DISCONNECT FROM SUPPORT	8800

## Service Procedures

### COVER

PULL WATER ADJUSTMENT KNOB FIRST AND SNAP OFF COVER. INDEX KNOB AND REINSTALL IN SAME POSITION FOR WATER FILL.

### MODULE, MOTOR, AND SUPPORT ASSEMBLY

INSERT PHILLIPS DRIVER IN ACCESS PORTS IN MODULE. LOOSEN BOTH SCREWS. DISCONNECT SHUT-OFF ARM. PULL MOLD FROM SUPPORT ASSEMBLY.

### SHUT-OFF ARM

PULL OUT FROM SUPPORT. REINSERT TO FULL DEPTH.

### MOLD AND HEATER

REMOVE MODULE, MOTOR, AND SUPPORT ASSEMBLY.

### BIMETAL

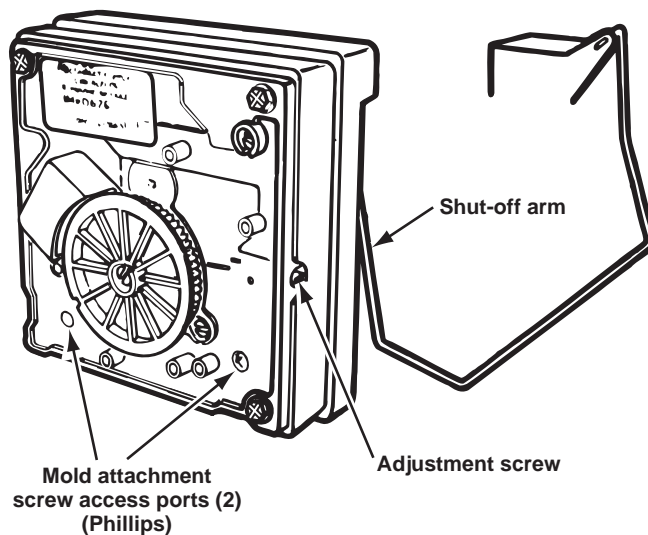
REMOVE MODULE, MOTOR, AND SUPPORT ASSEMBLY. PULL OUT RETAINING CLIPS WITH BIMETAL.

### FILL CUP

REMOVE MODULE, MOTOR, AND SUPPORT ASSEMBLY. REMOVE EJECTOR BLADES AND SHUT-OFF ARM. PULL FILL CUP FROM MOLD.

### EJECTOR BLADES OR STRIPPER

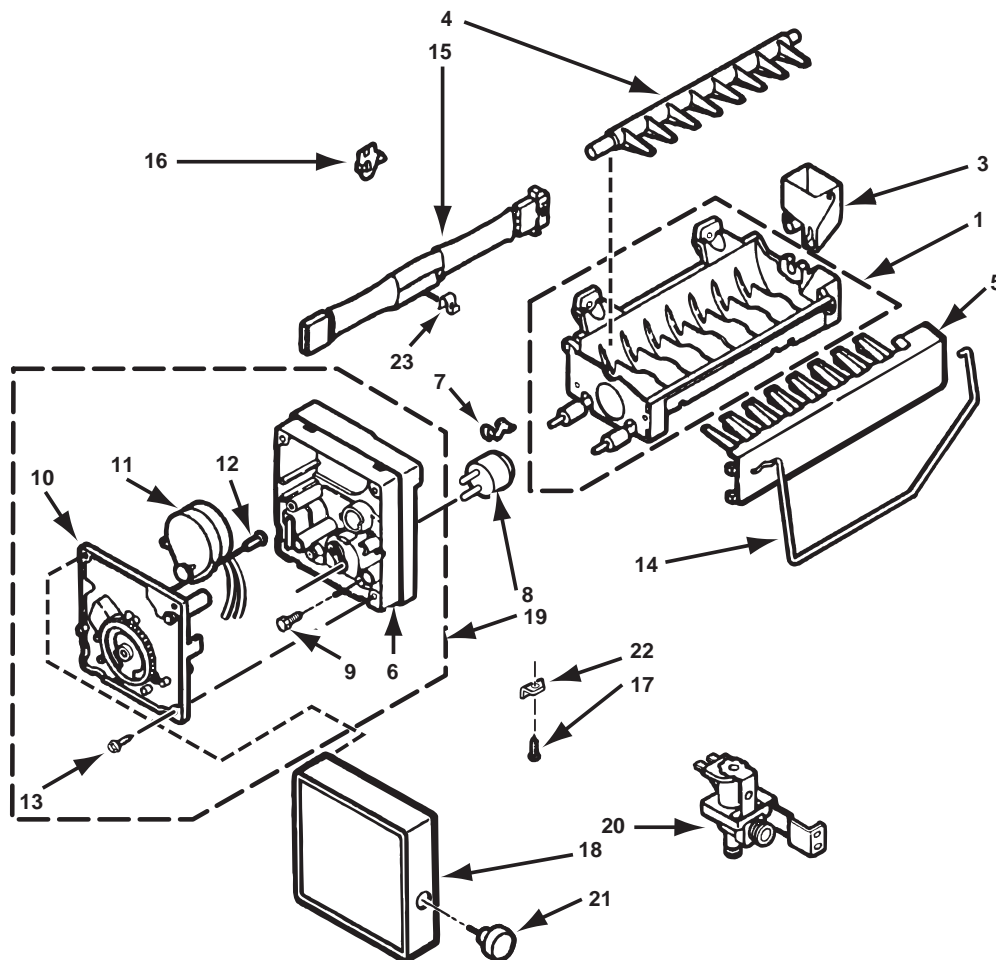
REMOVE MODULE, MOTOR, SUPPORT ASSEMBLY. WHEN REINSTALLING EJECTOR BLADES, REALIGN "D" COUPLING WITH MODEL CAM.



# Ice maker replacement parts list

When you place an order for a part, use the "Part Number," not the "Key Number."

Key Number	Part Number	Description
1	628228	Mold and Heater Assembly
3	628356	Bearing and Inlet
4	627843	Ejector
5	627788	Ice Stripper
6	627790	Support
7	627796	Retainer, Thermostat (2)
8	627985	Thermostat (also Order #542369 Cement Alumilastic)
9	489322	Screw, (2) 10-32 x 49/64"
10	628358	Module, Assembly
11	628258	Motor
12	489136	Screw, (2) 3-24 x 23/64"
13	489276	Screw, (3)
14	627792	Shut-off Arm
15	628256	Wiring, Harness
16	2155021	Clip, Ice Maker
17	489128	Screw, 8-32 x 27/64"
18	1115846	Cover
19	628366	Module Assembly (Includes Items 10, 11, and 12)
20	627929	Valve, Solenoid
21	1115844	Knob, Water
22	628229	Bracket
23	628379	Clip, Thermal Fuse



---

## Ice maker replacement parts list (cont'd)

The following parts are not illustrated.

Optional parts are not included in this list.

Part Number	Description
2166261	Ice Cube Pan
836489	Fitting Water Tube
2181961	Accessory Bag, Inside
1106508	Seal Gasket
489478	Screw 8-18 x 1/2"
488649	Screw 8-32 x 1/2"
2181939	Insert, Plastic Tube
2154101	Clip Ice Maker Fill Tube
488878	Tube Clamp
489385	Tube Clamp
W10339205	Fitting Tube Plate
2171943	Tube-Water Inlet
2174755	Tube-Water Inlet
W10289690	Cover, Ice Maker
W10279909	Valve assy, water
W10365048	Ice Maker



HOW TO MAKE A HOME RUN.™

# **G U I D E** **d'installation**

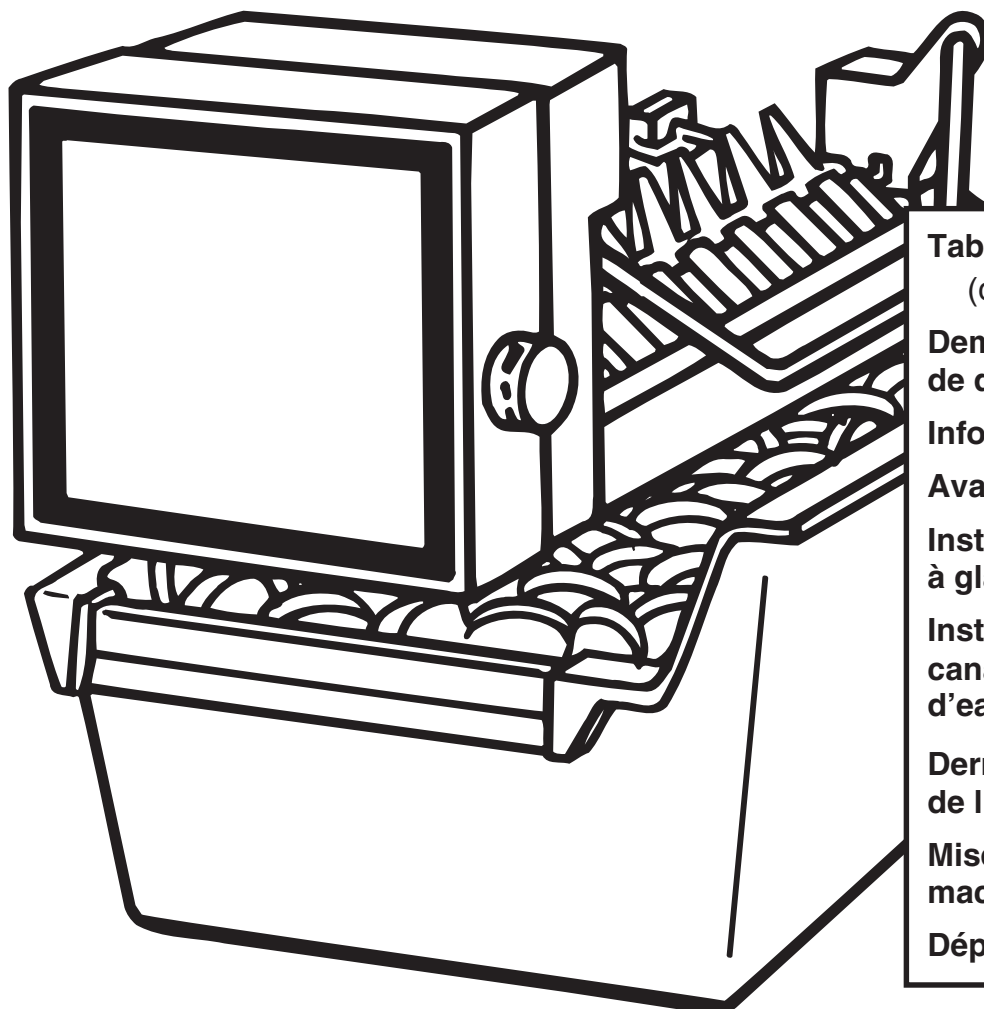


Table des matières (complète) .....	21
Demande d'assistance ou de dépannage .....	21
Information importante..	22
Avant de commencer.....	23
Installation de la machine à glaçons .....	24
Installation de la canalisation d'arrivée d'eau .....	26
Dernières étapes de l'installation .....	32
Mise en marche de la machine à glaçons .....	34
Dépannage .....	35

## **EZ CONNECT – KIT DE RACCORDEMENT POUR MACHINE À GLAÇONS**

# Table des matières

	Page		Page
<b>Demande d'assistance ou de dépannage</b> ..	<b>21</b>	<b>Dernières étapes de l'installation</b> .....	<b>32</b>
<b>Information importante</b> .....	<b>22</b>	Installation du couvercle de l'ouverture d'accès, et formage du tube de cuivre malléable .....	<b>32</b>
<b>Avant de commencer</b> .....	<b>23</b>	Rétablissement de l'alimentation de l'appareil/réglage de l'aplomb de l'appareil .....	<b>33</b>
Outillage nécessaire .....	<b>23</b>	<b>Mise en marche de la machine à glaçons</b> ..	<b>34</b>
Notes concernant l'installation .....	<b>23</b>	<b>Dépannage</b> .....	<b>35</b>
Instructions de sécurité importantes .....	<b>23</b>	Notes concernant le fonctionnement .....	<b>35</b>
Composants .....	<b>23</b>	Tableau de diagnostic/dépannage .....	<b>35</b>
<b>Installation de la machine à glaçons</b> .....	<b>24</b>	Machine à glaçons modulaire - Fiche technique .....	<b>36</b>
Opérations de préparation .....	<b>24</b>	Machine à glaçons - Liste des pièces de rechange .....	<b>37</b>
Montage de la machine à glaçons .....	<b>25</b>		
<b>Installation de la canalisation d'arrivée d'eau</b> .....	<b>26</b>		
Choix d'un emplacement .....	<b>26</b>		
Installation/acheminement du tube de cuivre malléable .....	<b>27</b>		
Installation du robinet d'arrêt .....	<b>28</b>		
Raccordement du tube de cuivre malléable au robinet d'arrêt .....	<b>29</b>		
Raccordement du tube de cuivre malléable à l'électrovanne d'admission d'eau .....	<b>30</b>		
Ouverture de l'arrivée d'eau .....	<b>31</b>		

## Demande d'assistance ou de dépannage

Pour tout besoin d'assistance, contacter le revendeur ou téléphoner sans frais au Centre d'assistance aux consommateurs de Whirlpool au 1-800-253-1301 (accessible 24 heures sur 24).

# Information importante

L'information d'avertissement suivante est répétée en divers endroits dans ce Guide d'installation; il convient de lire attentivement et de se familiariser parfaitement avec cette information d'avertissement.

## Votre sécurité et celle des autres est très importante.

Nous donnons de nombreux messages de sécurité importants dans ce manuel et sur votre appareil ménager. Assurez-vous de toujours lire tous les messages de sécurité et de vous y conformer.



Voici le symbole d'alerte de sécurité.

Ce symbole d'alerte de sécurité vous signale les dangers potentiels de décès et de blessures graves à vous et à d'autres.

Tous les messages de sécurité suivront le symbole d'alerte de sécurité et le mot "DANGER" ou "AVERTISSEMENT". Ces mots signifient :

 **DANGER**

**Risque possible de décès ou de blessure grave si vous ne suivez pas immédiatement les instructions.**

 **AVERTISSEMENT**

**Risque possible de décès ou de blessure grave si vous ne suivez pas les instructions.**

Tous les messages de sécurité vous diront quel est le danger potentiel et vous disent comment réduire le risque de blessure et ce qui peut se produire en cas de non-respect des instructions.

- Ce Guide d'installation présente les instructions complètes d'installation de la machine à glaçons dans le congélateur du réfrigérateur, et les instructions de raccordement entre la canalisation d'arrivée d'eau et la machine. Lire attentivement le guide, et exécuter les instructions exactement telles qu'elles sont présentées. Veillez également à respecter toutes les instructions de "sécurité".
- Cet ensemble a été conçu pour que toute personne puisse l'installer; ceci nécessite cependant un niveau minimum de compétence ou d'aptitude mécanique.
- Avant d'entreprendre l'installation de la machine à glaçons, il est nécessaire d'acquérir un ensemble "Tube de cuivre malléable", contenant un ensemble robinet d'arrêt ordinaire/bride de prise en charge (pour réfrigérateur avec machine à glaçons automatique ou casiers auto-remplissables). L'ensemble contient tout le matériel nécessaire pour le raccordement de la machine à glaçons à la source d'eau. On peut acheter l'ensemble nécessaire dans la plupart des magasins de quincaillerie ou de fournitures de plomberie.
- **NE PAS UTILISER UN ROBINET D'ARRÊT DE 3/16" OU À AIGUILLE PERÇANTE;** un tel robinet d'arrêt limite le débit d'eau vers la machine à glaçons et peut facilement s'obstruer.
- **NE PAS UTILISER UN TUBE DE POLYÉTHYLÈNE FLEXIBLE** pour raccorder la machine à glaçons à la canalisation d'arrivée d'eau; utiliser uniquement un tube de cuivre malléable, dia. ext. 1/4".

**L'INSTALLATION RÉALISÉE PAR LE CLIENT/UTILISATEUR N'EST PAS GARANTIE PAR LE FABRICANT DU RÉFRIGÉRATEUR OU DE LA MACHINE À GLAÇONS.**

# Avant de commencer

## Outillage nécessaire

Rassembler les outils et composants nécessaires avant d'entreprendre le processus d'installation. Lire et observer les instructions fournies avec chaque outil mentionné dans la liste ci-dessous.

1. Tournevis ordinaire
2. Tournevis Phillips
3. Clés plates de 7/16" et 1/2" (ou clé à molette)
4. Pince
5. Tourne-écrou de 1/4"
6. Perceuse manuelle avec foret de 1/4"
7. Petit niveau manuel (option)
8. Petite lime ronde 3/4
9. Coupe-tube
10. Pointeau
11. Marteau
12. Ciseaux
13. Règle
14. Tabouret (option)

## Notes concernant l'installation

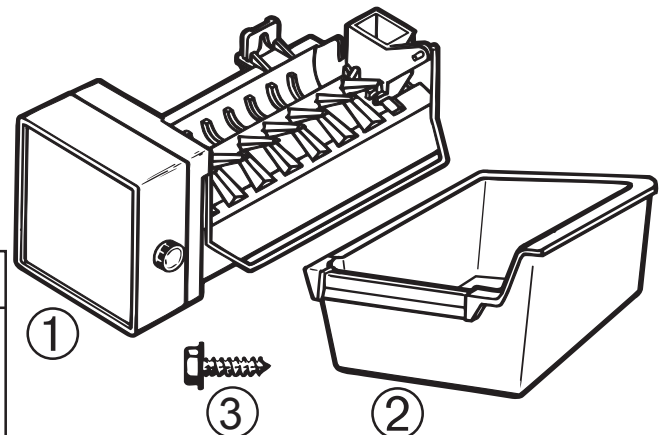
1. Exécuter les instructions exactement telles qu'elles sont décrites; lire la totalité de la description de chaque étape pour bien comprendre le processus avant de l'exécuter.
2. Les illustrations présentées dans ce Guide d'installation clarifient la description des étapes de l'installation à exécuter. Pour chaque groupe d'étapes, étudier le diagramme présenté juste à côté ou au-dessous du texte, pour tout besoin de clarification. Certaines illustrations contiennent également des "DÉTAILS" dans un cercle à côté de l'illustration à plus petite échelle. Un DÉTAIL présente un gros plan d'une certaine partie d'un diagramme, ou une illustration d'une étape spécifique à exécuter. Les DÉTAILS par un code alphabétique (A, B, C ou D), et il y est fait clairement référence dans le texte descriptif de chaque étape.
3. Lorsqu'il est nécessaire d'installer une pièce, positionner la pièce tel que ceci est représenté sur l'illustration.

## Composants

Ôter les divers articles de l'emballage d'expédition, et placer ceux-ci sur une table pour pouvoir les identifier facilement. Vérifier la présence de chaque composant de l'ensemble, par comparaison à la liste; ceci permet également à l'installateur de se familiariser avec les composants. Après avoir identifié un composant, placer une marque de cochage (3) à côté de son nom. Les CODES DE REPÉRAGE correspondent à l'"Illustration des composants".

Ne jeter aucun matériau d'emballage avant d'avoir vérifié la présence de tous les composants. S'il est nécessaire de commander une pièce de rechange pour la machine à glaçons, voir la liste des pièces de rechange présentée à la page 37.

### ILLUSTRATIONS DES COMPOSANTS



REPÈRE	QTÉ	DESCRIPTION
1	1	Machine à glaçons
2	1	Seau à glaçons
3	1	Vis à tôle à tête hexagonale de 1/2"

# Installation de la machine à glaçons


## Opérations préparatoires

Voir l'illustration ci-dessous au sujet des étapes suivantes.

1. Écarter le réfrigérateur du mur pour pouvoir accéder facilement au panneau arrière.

**IMPORTANT :** Veiller à protéger le sol contre tous dommages.

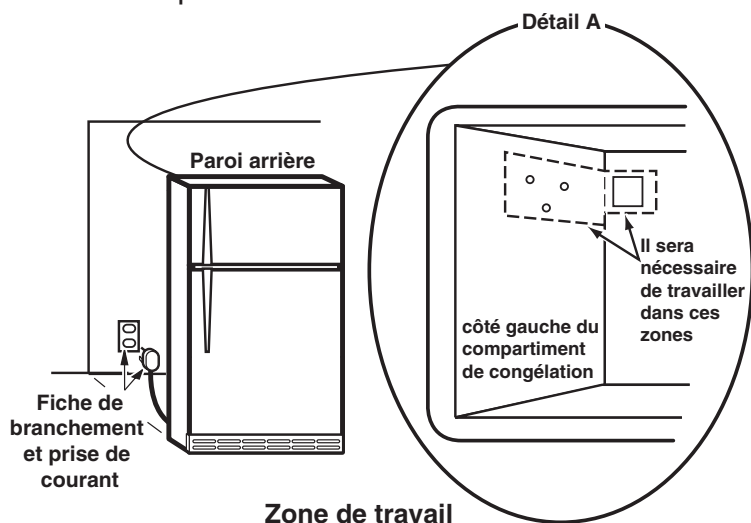
**⚠ AVERTISSEMENT**



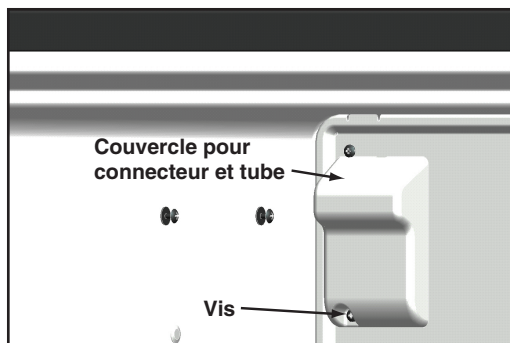
**Risque de choc électrique**  
Déconnecter la source de courant électrique avant l'installation de la machine à glaçons.  
Le non-respect de cette instruction peut causer un décès ou un choc électrique.

2. Débrancher le réfrigérateur ou déconnecter la source de courant électrique.
3. Ouvrir la porte du congélateur et retirer tous les articles alimentaires se trouvant dans le compartiment de congélation.
4. Dans le cas d'un appareil à congélateur en haut, sans étagère pleine largeur dans le congélateur, retirer l'étagère du casier à glaçons. Placer l'étagère à part; elle sera réutilisée comme support du panier à glaçons.

**REMARQUE :** La zone de travail dans l'appareil est identifiée par l'illustration DÉTAIL A ci-dessous.

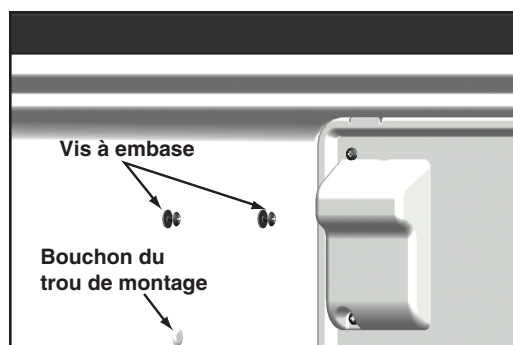


5. Ôter la vis fixant le couvercle pour connecteur et tube de la machine à glaçons.



**Dépose du couvercle pour connecteur et tube**

6. Insérer la lame d'un petit tournevis sous le bord du bouchon du trou de montage de la machine à glaçons (dans le côté de la doublure du congélateur); extraire le bouchon; jeter le bouchon.



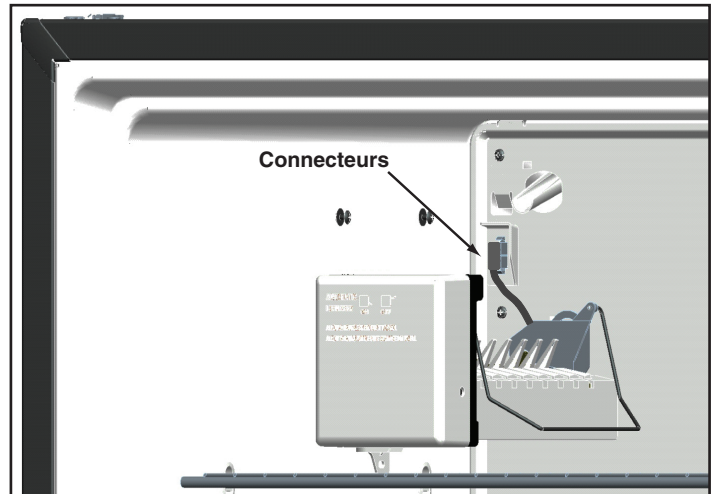
**REMARQUE :** Vérifier le bon positionnement des vis à embase.



## Montage de la machine à glaçons

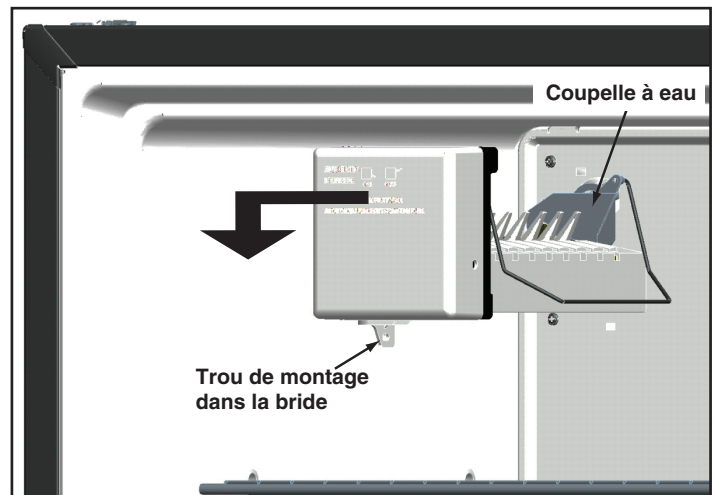
Voir le diagramme adjacent au sujet des étapes suivantes.

7. Positionner la machine à glaçons à l'intérieur du compartiment de congélation, et raccorder/verrouiller ensemble son connecteur de câblage et le connecteur de la tresse de câblage (la patte de blocage se calera au-dessus de l'onglet de positionnement en saillie). Une seule orientation relative des deux parties du connecteur permet leur emboîtement.
8. Suspendre la machine à glaçons sur les vis qui ont été installées précédemment. Veiller à ce que le trou de la patte de montage inférieure soit aligné avec le trou de montage dans la doublure du congélateur.



**REMARQUE :** Positionner le tube de remplissage dans le trou de la coupelle à eau.

9. Fixer la machine à glaçons sur la doublure du congélateur avec la vis de tôlerie à tête hexagonale fournie (vis de 1/2" ; utiliser le trou de montage dans la bride).



Montage de la machine à glaçons

# Installation de la canalisation d'arrivée d'eau

## Choix de l'emplacement

1. Ouvrir l'emballage de l'ensemble Tube de cuivre malléable acheté auparavant; placer le contenu sur une table pour identifier facilement les composants. Les composants de l'ensemble à utiliser sont les suivants :

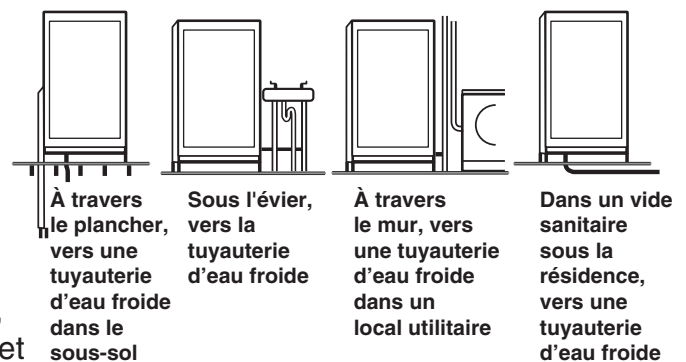
- 1 Robinet d'arrêt ordinaire (pas un robinet à aiguille perçante d'acier)
- 2 Viroles de compression
- 2 Écrous de compression
- 2 Brides
- 2 Vis
- 2 Écrous
- 1 Joint d'étanchéité \*
- 1 section (spirale) de tube de cuivre malléable

\* - Pas nécessaire pour modèle de 11 pi<sup>3</sup> à congélateur en haut (ensemble 24ECKMF)

**REMARQUE :** Lors des manipulations du tube d'arrivée d'eau à un endroit où la température pourrait s'abaisser au-dessous du point de congélation; ceci pourrait provoquer des dommages matériels.

**IMPORTANT :** Ne pas installer le tube d'arrivée d'eau à un endroit où la température pourrait s'abaisser au-dessous du point de congélation; ceci pourrait provoquer des dommages matériels.

2. Choisir un emplacement approprié pour l'installation du robinet d'arrêt sur la canalisation d'eau (le diagramme adjacent présente quelques suggestions). On recommande l'installation du robinet d'arrêt sur une section verticale de la tuyauterie d'eau froide (et non pas d'eau chaude) la plus proche du réfrigérateur. S'il n'y a pas de tuyauterie verticale à proximité, on peut utiliser une section de tuyauterie horizontale; cependant, il faudra alors percer le trou d'accès pour le robinet d'arrêt sur la rive supérieure de la tuyauterie (et non pas sur la rive inférieure); on empêchera ainsi l'eau de la tuyauterie de couler dans la perceuse et ultérieurement les sédiments ne pourront s'accumuler dans le robinet d'arrêt.



Emplacements typiques des tuyauteries d'eau

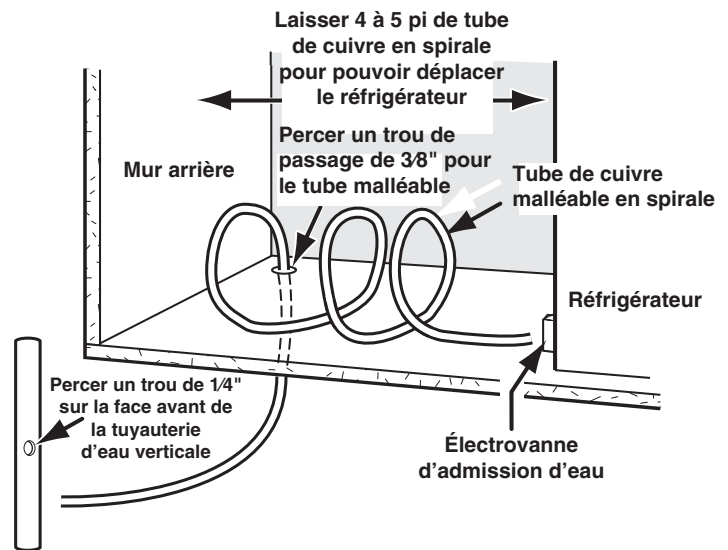
**REMARQUE :** Selon la position par rapport au plancher et au mur d'une tuyauterie horizontale qu'on souhaite utiliser, il peut ne pas être possible de percer un trou dans la tuyauterie.

3. Percer un trou de 3/8" à travers le plancher ou le mur, jusqu'à la tuyauterie d'eau froide.

## Installation de la canalisation de tube de cuivre malléable

Voir le diagramme adjacent au sujet des étapes suivantes.

1. Dérouler/redresser la longueur nécessaire de tube de cuivre malléable; faire passer l'extrémité du tube de cuivre malléable à travers le trou d'accès qui a été percé à l'emplacement choisi pour l'installation du robinet d'arrêt. Redresser seulement la longueur de tube de cuivre malléable nécessaire pour atteindre l'emplacement désiré; laisser le reste de tube en spirale à proximité du trou d'accès.
2. À ce point, vérifier la disponibilité d'une longueur suffisante de tube de cuivre; il faut qu'il reste suffisamment de tube de cuivre en spirale derrière le réfrigérateur pour qu'il soit facile d'écarter le réfrigérateur du mur pour pouvoir nettoyer derrière. Veiller également à ce que le diamètre des spires soit suffisant, pour que lorsqu'on déplace le réfrigérateur vers l'avant on ne provoque pas un étirement excessif et une déformation de la spirale du tube de cuivre.
3. Fermer le robinet qui alimente la canalisation d'eau froide sur laquelle le robinet d'arrêt va être installé.
4. Ouvrir un robinet de puisage d'eau froide alimenté par la tuyauterie d'eau froide choisie, et purger la section de canalisation. Laisser le robinet de puisage ouvert jusqu'à l'achèvement de l'installation de la canalisation d'arrivée d'eau.
5. Utiliser un marteau et un pointeau pour marquer la position du centre du trou à percer pour le robinet d'arrêt; s'il s'agit d'une canalisation d'eau froide en tube de cuivre malléable, ne pas frapper trop fort (au point de déformer/écraser la canalisation).
6. Installer un foret de 1/4" sur la perceuse, et percer prudemment un trou de prise en charge seulement à travers la face avant (et non pas à travers les deux faces) de la tuyauterie d'eau froide.
7. Inspecter le trou et vérifier que le foret a complètement traversé la paroi sur un seul côté de la tuyauterie. Les rives du trou doivent être lisses et rondes; si nécessaire, utiliser une petite lime ronde de 3/4 pour éliminer les bavures à l'intérieur du trou et sur la face extérieure de la tuyauterie.

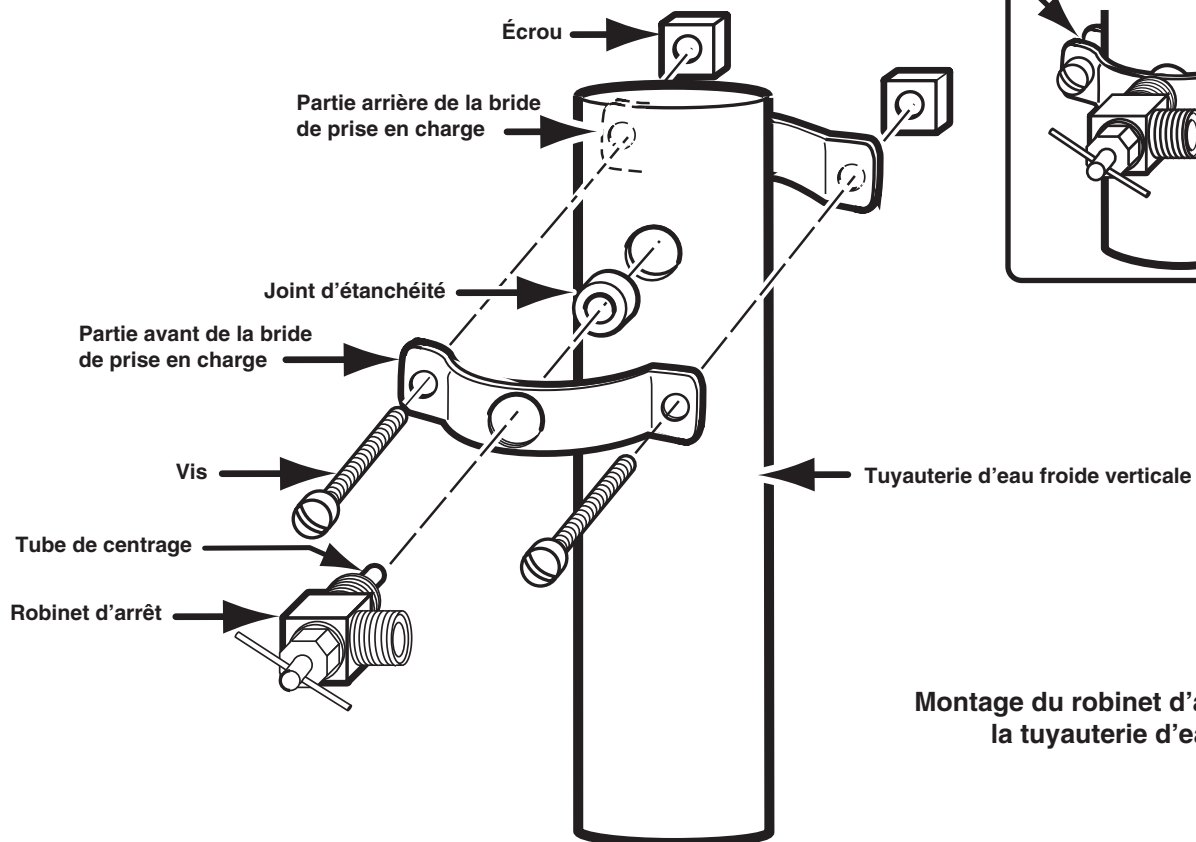


**Installation de la canalisation de tube de cuivre malléable**

## Installation du robinet d'arrêt

Voir le diagramme ci-dessous au sujet des étapes suivantes.

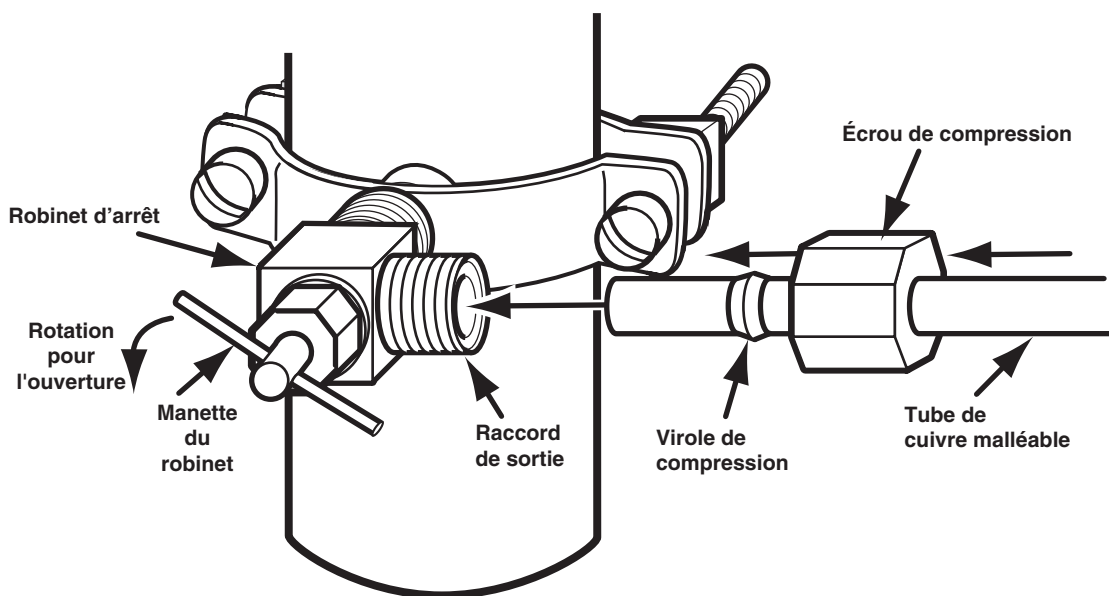
1. Dans l'ensemble du tube de cuivre malléable, trouver le robinet d'arrêt et la partie avant de la bride de prise en charge (avec trou fileté au centre); ensuite, en veillant à ne pas détériorer le filetage du robinet, visser le raccord d'entrée du robinet dans le trou fileté de la bride de prise en charge. Serrer à la main pour faire avancer le robinet aussi loin qu'il peut aller (le raccord fileté est légèrement conique, et il ne pourra pas être enfoncé complètement).
2. Utiliser une clé plate de 1/2" (ou une clé à molette), et faire tourner le corps du robinet d'arrêt de 1/8 de tour de plus pour le bloquer sur la bride.
3. Placer le joint d'étanchéité en caoutchouc (fourni dans l'ensemble du tube de cuivre malléable) sur le raccord d'entrée (partie non fileté) du robinet d'arrêt.
4. Introduire prudemment le raccord d'entrée du robinet d'arrêt dans le trou de prise en charge percé dans la tuyauterie d'eau, pour placer le joint d'étanchéité au contact de la tuyauterie et du robinet, et installer la partie arrière de la bride de prise en charge sur la tuyauterie d'eau. Installer une vis et un écrou de serrage sur chaque côté la bride de prise en charge pour la serrer sur la tuyauterie d'eau (vis et écrous fournis dans l'ensemble du tube de cuivre malléable). Serrer les écrous uniformément sur les vis pour que l'espace résiduel entre les deux parties de la bride soit identique de chaque côté (voir DÉTAIL A). **NE PAS SERRER EXCESSIVEMENT** les écrous - sinon il est possible de déformer les sections de la bride et d'endommager le joint d'étanchéité.



## Raccordement du tube de cuivre malléable au robinet d'arrêt

Voir le diagramme ci-dessous au sujet des étapes suivantes.

1. Redresser une section de 2" du tube de cuivre malléable; vérifier que l'ouverture du tube est ronde et que la coupe a été réalisée à l'équerre. Si nécessaire, utiliser un coupe-tube ou une scie à métaux pour couper l'extrémité du tube, puis limer pour établir un bon équerrage et pour éliminer les bavures autour des rives interne et externe du trou; après ces opérations, veiller à éliminer tous les débris métalliques qui peuvent se trouver à l'intérieur du tube de cuivre.
2. Positionner l'écrou de compression comme l'indique l'illustration, et enfiler l'écrou sur l'extrémité du tube de cuivre malléable.
3. Enfiler une virole de compression sur le tube de cuivre malléable et placer la virole à environ 1" de l'extrémité du tube.
4. Insérer l'extrémité du tube de cuivre malléable dans le raccord de sortie du robinet d'arrêt, aussi loin qu'il peut aller, puis serrer l'écrou de compression à la main autant que c'est possible.
5. Utiliser une clé plate de 1/2" pour serrer l'écrou de compression d'un tour complet additionnel sur le robinet d'arrêt. Si c'est nécessaire, il sera possible de serrer l'écrou encore plus après l'ouverture de l'arrivée d'eau.
6. Faire tourner la manette du robinet d'arrêt pour ouvrir complètement le robinet (rotation dans le sens antihoraire).



Raccordement du tube de cuivre malléable au robinet d'arrêt

# Raccordement du tube de cuivre malléable à l'électrovanne d'admission d'eau

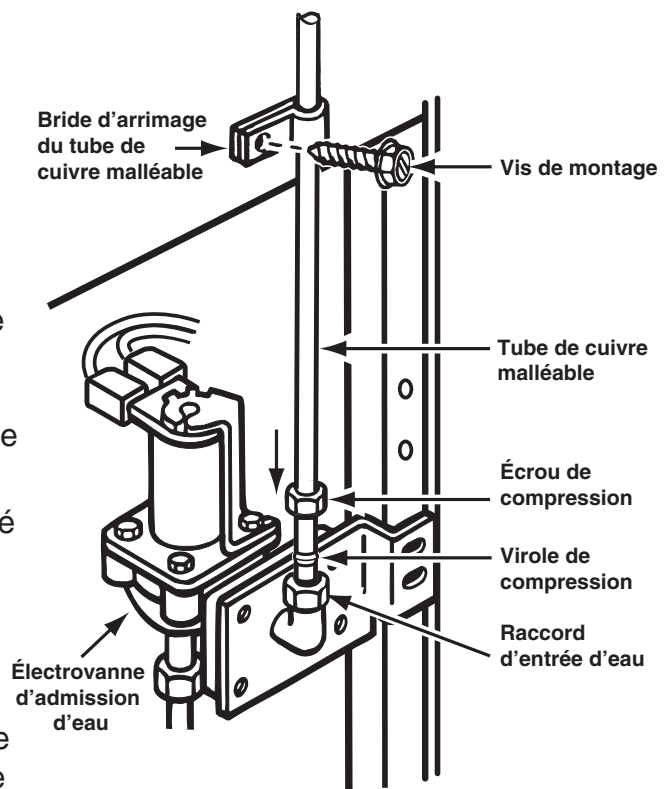
Voir le diagramme ci-dessous au sujet des étapes suivantes.

1. Vérifier que l'extrémité libre du tube de cuivre malléable est ronde et coupée à l'équerre. Si nécessaire, préparer l'extrémité du tube de la même manière que précédemment. Après la préparation de l'extrémité du tube, veiller à éliminer tous les débris métalliques à l'intérieur du tube de cuivre malléable.

Lors de l'exécution de l'étape suivante, veiller à ne pas déformer/écraser le tube de cuivre malléable.

2. À partir de l'extrémité libre, redresser une longueur d'environ 20" du tube de cuivre malléable.
3. Fermer le robinet de puisage qui avait été laissé ouvert précédemment pour la purge de la canalisation d'arrivée d'eau.
4. Placer l'extrémité du tube de cuivre malléable dans un seau, et demander à une autre personne d'ouvrir l'arrivée d'eau. Laisser une quantité suffisante d'eau s'écouler à travers la canalisation et dans le seau, pour rincer adéquatement les canalisations. Lorsque l'eau qui s'écoule est devenue limpide, fermer l'arrivée d'eau et purger de nouveau les canalisations.
5. Ôter la bride d'arrimage à l'arrière de la caisse du réfrigérateur, et enfilez la bride d'arrimage sur l'extrémité du tube de cuivre malléable. Veiller à positionner la bride d'arrimage comme l'indique l'illustration.
6. Enfiler un écrou de compression sur l'extrémité du tube de cuivre malléable.
7. Enfiler une virole de compression sur le tube de cuivre malléable et positionner la virole à environ 1" de l'extrémité.
8. S'il y a un capuchon de protection en plastique sur le raccord d'entrée d'eau de l'électrovanne d'admission d'eau, ôter et jeter ce capuchon.

9. Insérer l'extrémité du tube de cuivre malléable dans le raccord d'entrée d'eau au sommet de l'électrovanne d'admission d'eau, aussi loin qu'il peut aller, puis serrer l'écrou de raccordement du tube de cuivre malléable sur le robinet d'arrêt.
10. Utiliser une clé plate de 1/2", pour serrer l'écrou de compression sur le raccord d'entrée d'eau d'un tour complet additionnel; si c'est nécessaire il sera possible de serrer l'écrou encore plus après l'ouverture de l'arrivée d'eau.
11. Fixer la bride d'arrimage à l'arrière de la caisse du réfrigérateur, avec la vis à tête hexagonale déposée précédemment.

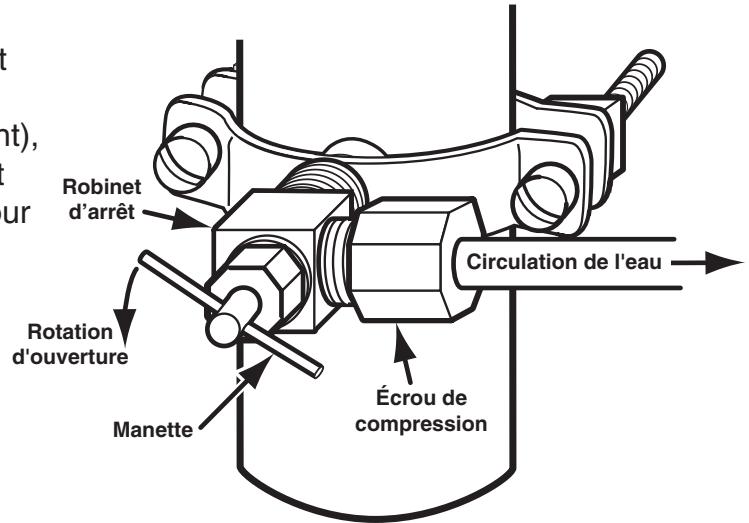


Raccordement du tube de cuivre malléable à l'électrovanne d'admission d'eau

## Ouverture de l'arrivée d'eau

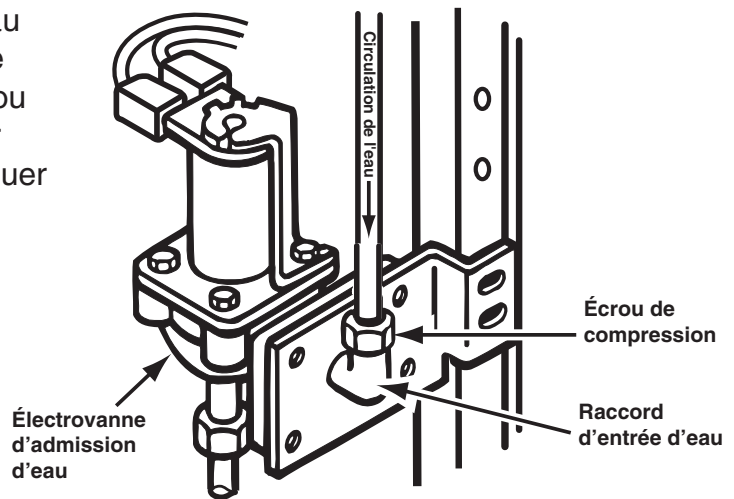
**REMARQUE :** Lors du serrage des écrous de compression, veiller à ne pas serrer excessivement; un serrage excessif peut détruire la virole de compression et l'extrémité du tube de cuivre malléable; si ceci se produit, il sera nécessaire de couper l'extrémité du tube de cuivre malléable et d'installer une virole de compression neuve, et de recommencer l'opération d'installation. Veiller à travailler lentement et prudemment!

1. Ouvrir l'arrivée d'eau, et inspecter le robinet d'arrêt pour identifier d'éventuelles fuites. S'il y a une fuite (voir le diagramme adjacent), serrer l'écrou de compression sur le robinet d'arrêt, par petites rotations, juste assez pour provoquer l'arrêt de la fuite. Avant chaque recherche des fuites, essayer le raccord avec un chiffon.



Serrage des raccords sur le robinet d'arrêt

2. Inspecter l'électrovanne d'admission d'eau pour identifier toute fuite. S'il y a une fuite (voir le diagramme adjacent), serrer l'écrou de compression sur le robinet d'arrêt, par petites rotations, juste assez pour provoquer l'arrêt de la fuite.

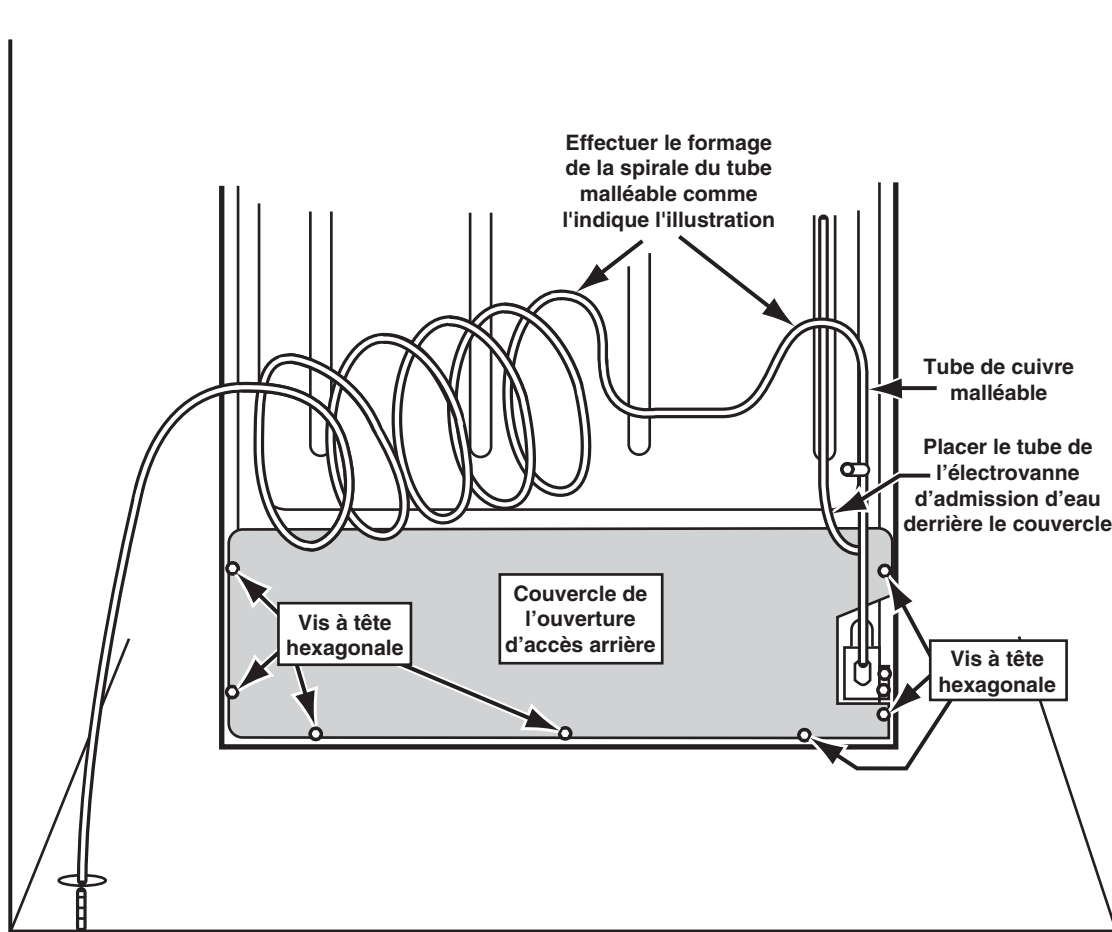


Serrage des raccords sur l'électrovanne d'admission d'eau

# Dernières étapes de l'installation

## Installation du couvercle de l'ouverture d'accès et formage du tube de cuivre malléable

1. Réinstaller le couvercle de l'ouverture d'accès arrière sur le réfrigérateur – il faudra que le tube de l'électrovanne d'admission d'eau soit à l'intérieur sous le couvercle, et que la canalisation d'arrivée d'eau en cuivre soit à l'extérieur (voir le diagramme ci-dessous); fixer ensuite le couvercle avec les sept vis à tête hexagonale qui ont été déposées précédemment.
2. Former une spirale avec le tube de cuivre malléable, à partir de l'électrovanne d'admission d'eau, comme on le voit sur l'illustration. Positionner la spirale de tube de cuivre malléable près du centre de l'appareil, pour que la spirale puisse se déployer et se contracter en "accordéon" (voir le diagramme ci-dessous) lorsqu'on écarte l'appareil du mur et lorsqu'on le rapproche du mur.



Installation du couvercle de l'ouverture d'accès et formage du tube de cuivre malléable



## Rétablissement de l'alimentation électrique/réglage de l'aplomb de l'appareil

### **⚠ AVERTISSEMENT**



#### **Risque de choc électrique**

**Brancher sur une prise à 3 alvéoles reliée à la terre.**

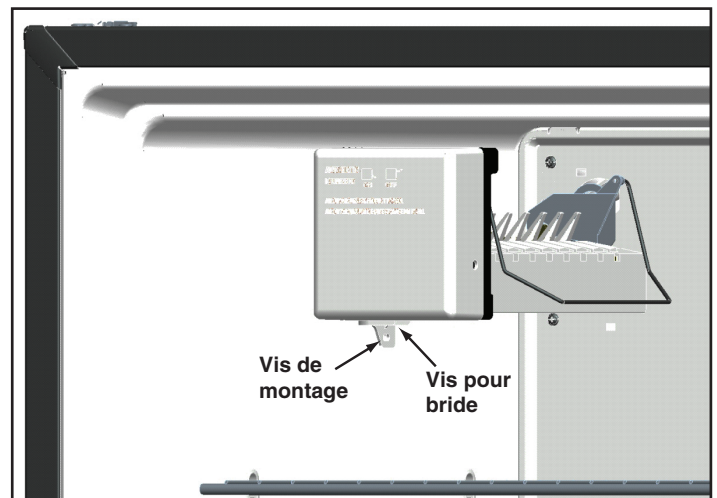
**Ne pas enlever la broche de liaison à la terre.**

**Ne pas utiliser un adaptateur.**

**Ne pas utiliser un câble de rallonge.**

**Le non-respect de ces instructions peut causer un décès, un incendie ou un choc électrique.**

1. Brancher le cordon d'alimentation de l'appareil sur une prise de courant CA; pousser prudemment le réfrigérateur vers le mur arrière.
2. Placer un niveau au sommet de la caisse du réfrigérateur. S'il est nécessaire d'ajuster l'aplomb du réfrigérateur, employer le processus de réglage des roulettes avant, décrit dans le "Guide d'utilisation et de l'entretien du réfrigérateur".
3. Contrôler la position de la machine à glaçons; si la position est incorrecte et si un ajustement est nécessaire, desserrer les vis de la patte de montage inférieure (voir le diagramme adjacent) et positionner la machine à glaçons à la position correcte, puis resserrer la vis de la patte de montage.



# Mise en marche de la machine à glaçons

1. Laver le panier à glaçons, et faire glisser le panier sous la machine à glaçons (voir le diagramme adjacent) aussi loin qu'il peut aller. Le panier à glaçons reposera sur le sommet de l'étagère du congélateur.

**IMPORTANT :** Dans le cas d'un appareil à congélateur en haut, sans étagère de pleine largeur dans le congélateur, il sera nécessaire de placer le panier à glaçons au sommet de l'étagère inversée des casiers à glaçons.

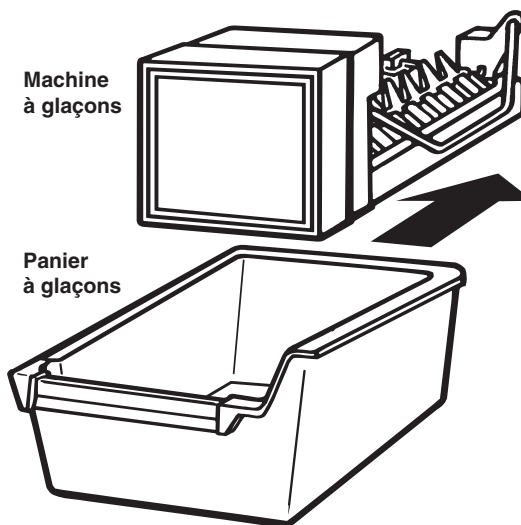
Tout d'abord, positionner l'étagère du casier à glaçons face vers le bas, pour que le côté le plus court soit placé le long de la paroi du congélateur (voir DÉTAIL A). Insérer ensuite les onglets de positionnement (sur le côté le plus court de l'étagère) dans les réceptacles d'emboîtement sur le bord du plancher du congélateur; ceci permettra de maintenir l'étagère à la position correcte. Ensuite, placer le panier à glaçons au sommet de l'étagère inversée des casiers à glaçons et faire glisser le panier sous la machine à glaçons (voir le diagramme adjacent). La machine à glaçons ne peut pas fonctionner correctement si le panier à glaçons est placé directement sur le plancher du congélateur.

2. Remettre dans le compartiment de congélation les articles alimentaires qui avaient été retirés précédemment.

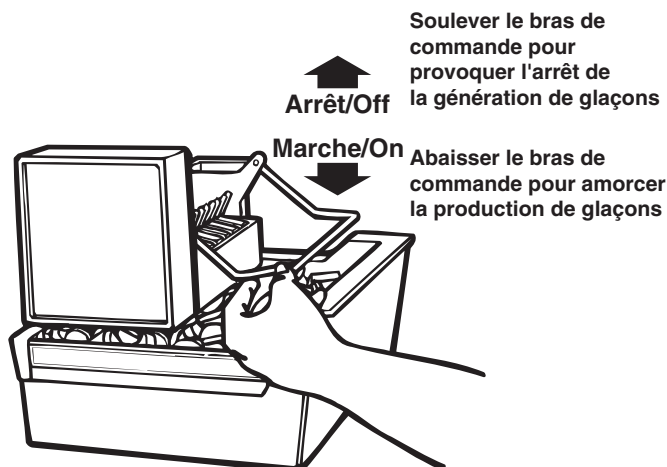
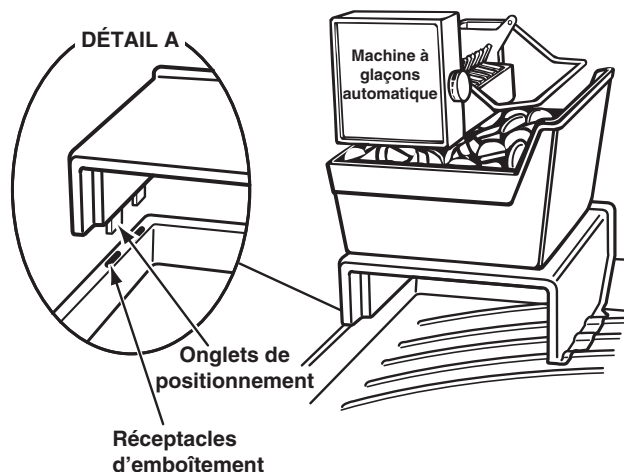
3. Abaisser le bras de commande de la machine à glaçons (voir le diagramme adjacent) à sa position de fonctionnement (On) et fermer la porte du congélateur. La machine à glaçons commencera à produire des glaçons dans les 24 heures.

**REMARQUE :** Il faut généralement attendre environ 24 heures pour que la machine à glaçons commence à produire des glaçons. Lorsque de la glace est disponible, on remarquera peut-être une saveur inhabituelle; si c'est le cas, jeter les deux ou trois premiers lots de glaçons produits; après cela la saveur inhabituelle observée devrait disparaître. En cas de problème, consulter la page "Dépannage" à la page 26.

Ceci termine le processus d'installation de la machine à glaçons.



Installation du panier à glaçons



Mise en marche de la machine à glaçons

# Dépannage

## Notes sur le fonctionnement de l'appareil

1. L'électrovanne d'admission d'eau de la machine à glaçons comporte un dispositif qui tient lieu de régulateur de pression et contrôle ainsi le débit d'eau. Pour que la machine à glaçons fonctionne correctement, il faut que la pression de l'eau dans le circuit de la résidence soit d'environ 20 à 120 livres par pouce carré (lb/po<sup>2</sup>). En cas de problème affectant la capacité de la machine à glaçons à produire de la glace, contacter la compagnie locale de distribution d'eau pour demander un contrôle de la pression de distribution.
2. L'électrovanne d'admission d'eau de la machine à glaçons comporte deux éléments de filtrage : une crépine en plastique en forme de panier, et un tamis métallique; pour le nettoyage des deux éléments de filtrage, fermer l'arrivée d'eau et démonter l'électrovanne d'admission d'eau (ce travail peut être confié à un centre de service après-vente local). Si la qualité de l'eau distribuée localement nécessite l'exécution d'un nettoyage périodique, ou si l'eau utilisée provient d'un puits, il pourra être utile d'installer un second dispositif de filtrage de l'eau dans la canalisation d'arrivée d'eau. On peut acquérir un dispositif de filtrage de l'eau chez un revendeur local d'appareils ménagers.

---

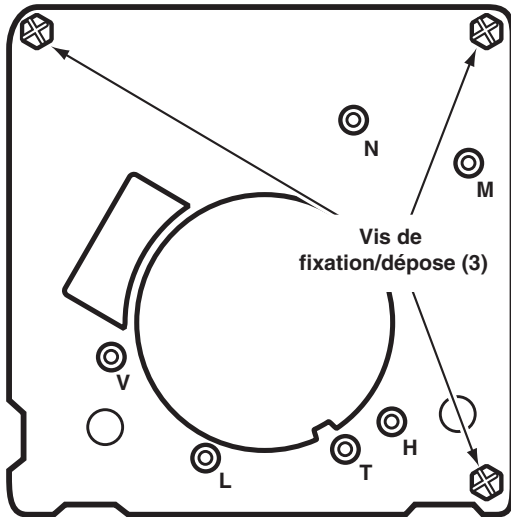
## Tableau de diagnostic/dépannage

Le tableau qui suit décrit quelques problèmes usuels qui peuvent survenir et affecter la machine à glaçons.

PROBLÈME	CAUSE
Bruit perceptible (un ou plusieurs des bruits suivants) : <ul style="list-style-type: none"><li>• Bourdonnement</li><li>• Écoulement d'eau lent</li><li>• Claquement (émanant des glaçons)</li></ul>	Manceuvre de l'électrovanne d'admission d'eau. L'eau pénètre dans la coupelle de remplissage de la machine à glaçons. Déversement des glaçons dans le panier à glaçons.
Saveur de "pas frais" des glaçons.	Les glaçons sont vieux. Préparer un nouveau lot de glaçons.
Débordement d'eau dans la machine à glaçons.	Défaut d'aplomb du réfrigérateur ou de la machine à glaçons. Si on observe encore un débordement dans la machine à glaçons après le réglage de l'aplomb, fermer l'arrivée d'eau de la machine à glaçons (au niveau du robinet d'arrêt), et soulever le bras de commande de la machine à glaçons à la position d'arrêt "off" (voir page 25); contacter ensuite le centre de dépannage local.
Quantité de glaçons insuffisante.	Le délai de remplissage du panier à glaçons est d'environ 48 heures. La machine à glaçons produit des glaçons à intervalles de 2 à 3 heures. Pour augmenter la production de glace, régler le thermostat du congélateur pour une plus basse température.
Arrêt de la production de glace.	Veiller à abaisser le bras de commande dans le panier à glaçons (voir page 25). Vérifier que le robinet d'arrêt de la canalisation d'eau est ouvert. Le robinet d'arrêt de la canalisation d'eau ou le tamis de filtrage de l'électrovanne d'admission d'eau est obstrué (contacter le centre local de service après-vente).

# Machine à glaçons modulaire - Fiche technique

Points de test sur le module



CONTRÔLES DU MODULE AVEC UN OHMMÈTRE (MACHINE À GLAÇONS PAS ALIMENTÉE ET LAMES D'ÉJECTION À LA POSITION DE STATIONNEMENT)			
POINTS DE TEST	COMPOSANT	POSITION DU MODULE	OHMS
L-H	ÉLÉMENT CHAUFFANT DU MOULE	FIXATION SUR SUPPORT	72
L-M	MOTEUR	DÉCONNEXION DU SUPPORT	8800

## Opérations de dépannage

### COUVERCLE

TIRER D'ABORD SUR LE BOUTON DE RÉGLAGE DU DÉBIT D'EAU ET DÉBOÎTER LE COUVERCLE. FAIRE TOURNER LE BOUTON (INDEXAGE) ET RÉINSTALLER À LA MÊME POSITION POUR LE REMPLISSAGE D'EAU.

### MODULE, MOTEUR ET ENSEMBLE DE SUPPORT

INSÉRER UN TOURNEVIS PHILLIPS DANS LES OUVERTURES D'ACCÈS DU MODULE. DESSERRER LES DEUX VIS. DÉCONNECTER LE BRAS DE COMMANDE. DÉTACHER LE MOULE DE L'ENSEMBLE DE SUPPORT.

### BRAS DE COMMANDE

DÉTACHER DE L'ENSEMBLE DE SUPPORT. RÉINSÉRER À LA POSITION D'ABAISSEMENT COMPLET.

### MOULE ET ÉLÉMENT CHAUFFANT

ÔTER MODULE, MOTEUR ET ENSEMBLE DE SUPPORT.

### BILAME

ÔTER MODULE, MOTEUR ET ENSEMBLE DE SUPPORT. ENLEVER LES AGRAFES DE RETENUE AVEC LE BILAME.

### COUPELLE DE REMPLISSAGE

ÔTER MODULE, MOTEUR ET ENSEMBLE DE SUPPORT. ÔTER LES LAMES D'ÉJECTION ET LE BRAS DE COMMANDE. RETIRER LA COUPELLE DE REMPLISSAGE DU MOULE.

### LAMES D'ÉJECTION OU DISPOSITIF D'ÉJECTION

ÔTER MODULE, MOTEUR, ENSEMBLE DE SUPPORT. LORS DE LA RÉINSTALLATION DES LAMES D'ÉJECTION, RÉALIGNER CORRECTEMENT L'ÉLÉMENT DE COUPLAGE "D" AVEC LA CAME DE SÉLECTION DU MODÈLE.

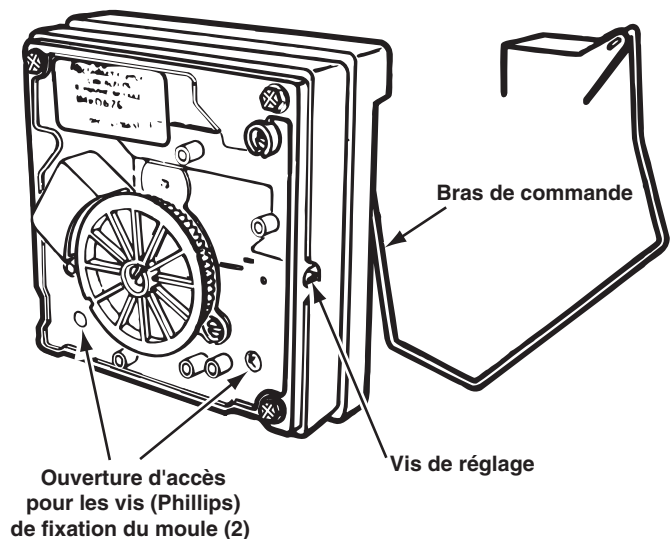
## Spécifications

ÉLÉMENT CHAUFFANT DU MOULE – 185 WATTS, 72 OHMS  
THERMOSTAT – FERMETURE À  $17^{\circ} \pm 3^{\circ}$   
(BILAME) OUVERTURE À  $32^{\circ} \pm 3^{\circ}$   
REPLISSAGE D'EAU – 140 CC, 7,5 S  
MOTEUR – 1,5 WATT, 8800 OHMS  
MODULE – CIRCUIT IMPRIMÉ,  
CONNECTEURS ENFICHABLES  
CYCLE – UNE RÉVOLUTION  
(ÉJECTION ET REMPLISSAGE D'EAU)  
POUR MODÈLE 120 VOLTS

## Réglage du niveau d'eau

LA ROTATION DE LA VIS DANS LE SENS ANTIHORAIRE RÉDUIT LE REMPLISSAGE D'EAU.

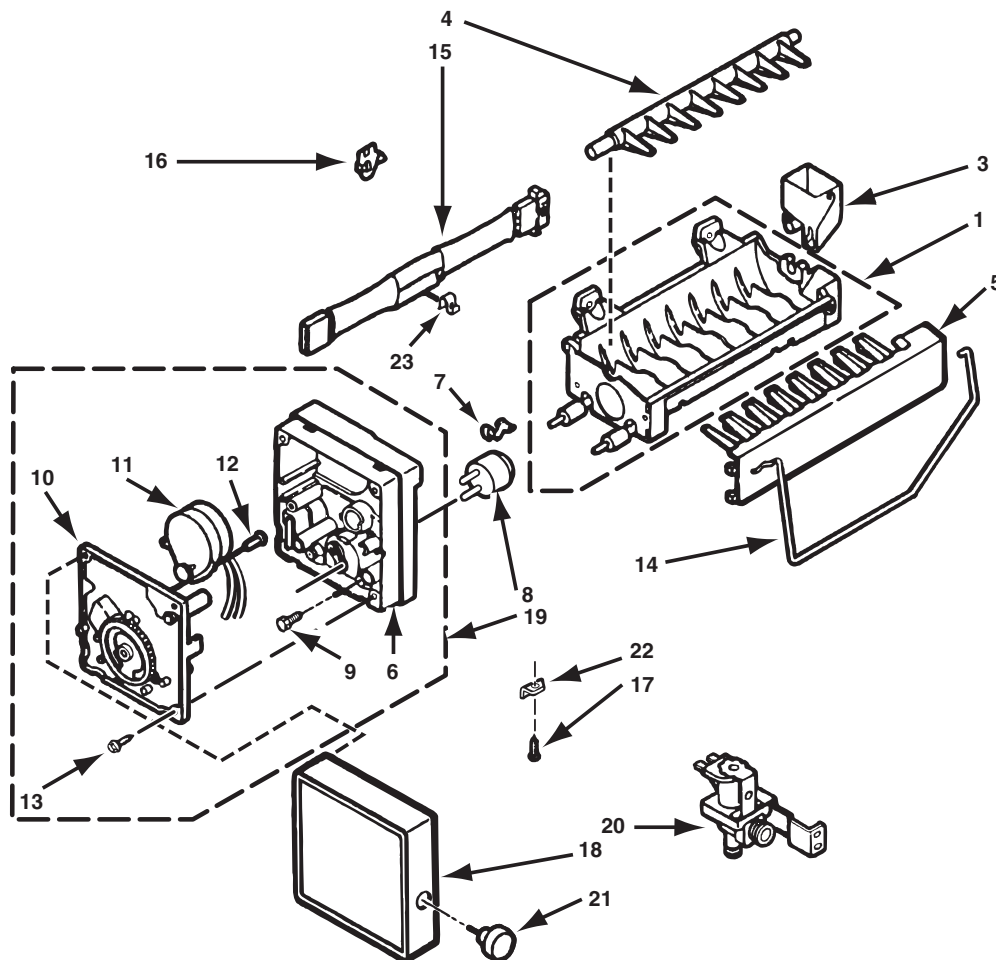
- 1/2 TOUR REPRÉSENTE 20 CC ou 1,2 S
- UNE ROTATION COMPLÈTE REPRÉSENTE 40 CC ou 2,4 S
- L'AMPLITUDE DE RÉGLAGE MAXIMALE CORRESPOND À UNE ROTATION COMPLÈTE DANS UN SENS OU DANS L'AUTRE; UNE ROTATION AU-DELÀ DE CETTE LIMITE POURRAIT FAIRE SUBIR DES DOMMAGES AU MODULE.



# Machine à glaçons - Liste des pièces de rechange

Pour la commande de pièces, utiliser le "numéro de pièce" et non pas le "numéro de repérage".

Numéro de repérage	Numéro de pièce	Description
1	628228	Moule et élément chauffant (ensemble)
3	628356	Palier et entrée
4	627843	Éjecteur
5	627788	Dispositif d'expulsion des glaçons
6	627790	Support
7	627796	Pièce de retenue pour thermostat (2)
8	627985	Thermostat (commander également l'article no 542369, adhésif alumilastique)
9	489322	Vis (2), 10-32 x 49/64"
10	628358	Module (ensemble)
11	628258	Moteur
12	489136	Vis (2), 3-24 x 23/64"
13	489276	Vis (3)
14	627792	Bras de commande
15	628256	Tresse de câblage
16	2155021	Patte de retenue pour machine à glaçons
17	489128	Vis, 8-32 x 27/64"
18	1115846	Couvercle
19	628366	Module (ensemble) (incluant les articles 10, 11, et 12)
20	627929	Électro-aimant pour électrovanne
21	1115844	Bouton de commande pour eau
22	628229	Bride de support
23	628379	Agrafe pour fusible thermique



---

## Machine à glaçons - Liste des pièces de rechange (suite)

Les pièces suivantes n'apparaissent pas sur l'illustration.

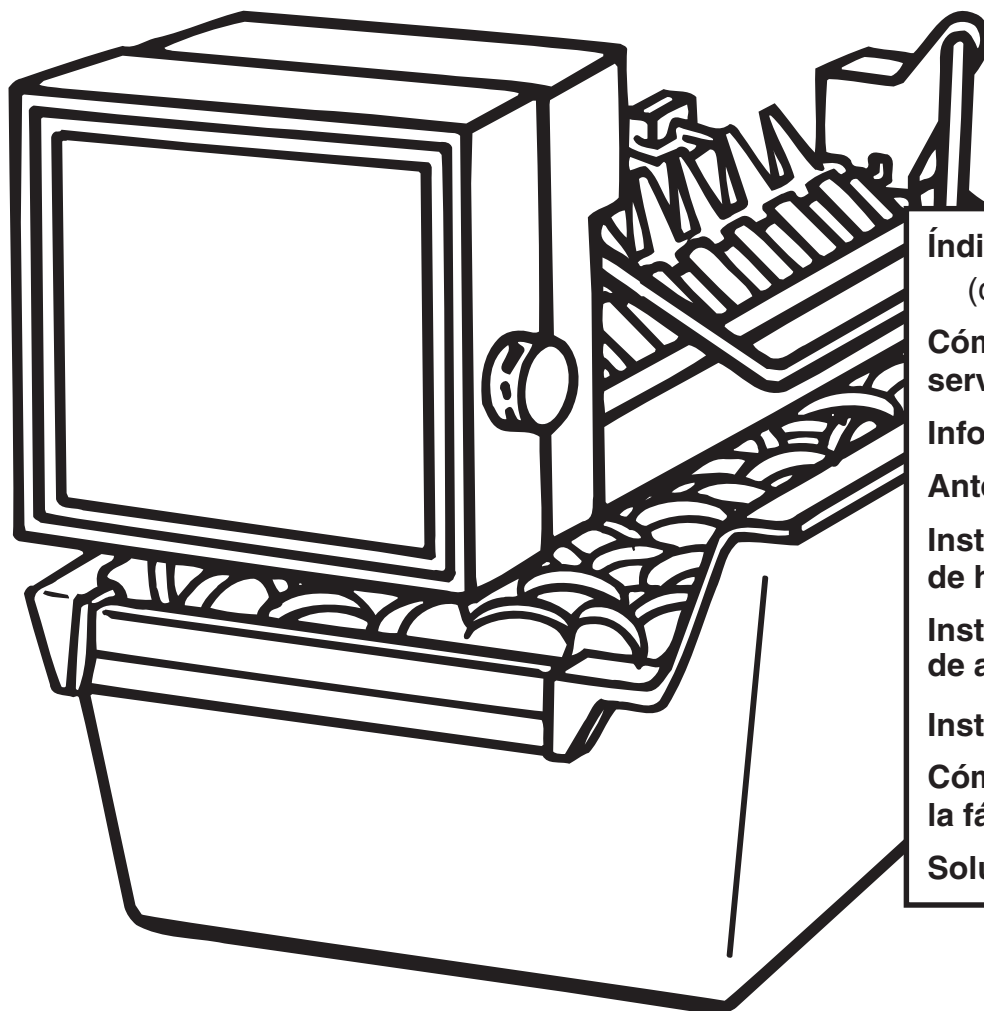
Les pièces dont l'emploi est facultatif ne sont pas incluses dans cette liste.

Numéro de pièce	Description
2166261	Plateau à glaçons
836489	Raccord, tube d'admission d'eau
2181961	Sac d'accessoires (intérieur)
1106508	Joint d'étanchéité
489478	Vis, 8-18 x 1/2"
488649	Vis, 8-32 x 1/2"
2181939	Élément inséré en plastique pour tube
2154101	Agrafe, tube de remplissage de la machine à
488878	Bride de fixation pour tube
488385	Bride de fixation pour tube
W10339205	Plaquette (tube/raccord)
2171943	Tube pour entrée d'eau
2174755	Tube pour entrée d'eau
W10289690	Couvercle, Machine à glaçons
W10279909	Électrovanne d'admission d'eau
W10365048	Machine à glaçons



HOW TO MAKE A HOME RUN.™

# **G U Í A** **para la instalación**



Índice	
(completo) .....	40
Cómo solicitar ayuda o servicio técnico .....	40
Información importante..	41
Antes de comenzar.....	42
Instalación de la fábrica de hielo .....	43
Instalación de la línea de agua .....	45
Instalación final .....	51
Cómo poner en marcha la fábrica de hielo .....	53
Solución de problemas..	54

## **JUEGO DE FÁBRICA DE HIELO DE CONEXIÓN FÁCIL**

# Índice

	Página		Página
<b>Cómo solicitar ayuda o servicio técnico..</b>	<b>40</b>	Cómo conectar la tubería de cobre a la válvula de cierre .....	<b>48</b>
<b>Información importante .....</b>	<b>41</b>	Cómo conectar la tubería de cobre a la válvula de agua .....	<b>49</b>
<b>Antes de comenzar .....</b>	<b>42</b>	Cómo abrir el agua .....	<b>50</b>
Herramientas .....	42	<b>Instalación final .....</b>	<b>51</b>
Notas sobre la instalación .....	42	Cómo instalar la cubierta de acceso y dar forma a la tubería de cobre .....	51
Componentes .....	42	Cómo conectar el suministro eléctrico/ nivelar la unidad .....	52
<b>Instalación de la fábrica de hielo .....</b>	<b>43</b>	<b>Cómo poner en marcha la fábrica de hielo .....</b>	<b>53</b>
Pasos para la preparación .....	43	<b>Solución de problemas .....</b>	<b>54</b>
Montaje de la fábrica de hielo .....	44	Notas sobre el funcionamiento .....	54
<b>Instalación de la línea de agua .....</b>	<b>45</b>	Cuadro de solución de problemas .....	54
Cómo elegir la ubicación .....	45	Hoja de servicio de la fábrica de hielo modular .....	55
Cómo dirigir la tubería de cobre .....	46	Lista de piezas de repuesto de la fábrica de hielo .....	56
Cómo instalar la válvula de cierre .....	47		

## Para solicitar ayuda o servicio técnico

Si necesita asistencia, póngase en contacto con el distribuidor o llame gratuitamente al Centro de asistencia al consumidor de Whirlpool, al 1-800-253-1301, las 24 horas del día.



# Información importante

La información a continuación es aplicable para la Guía de instalación en su totalidad. Léala detenidamente para familiarizarse con ella.

## Su seguridad y la seguridad de los demás es muy importante.

Hemos incluido muchos mensajes importantes de seguridad en este manual y en su electrodoméstico. Lea y obedezca siempre todos los mensajes de seguridad.



Este es el símbolo de advertencia de seguridad.

Este símbolo le llama la atención sobre peligros potenciales que pueden ocasionar la muerte o una lesión a usted y a los demás.

Todos los mensajes de seguridad irán a continuación del símbolo de advertencia de seguridad y de la palabra "PELIGRO" o "ADVERTENCIA". Estas palabras significan:

 **PELIGRO**

Si no sigue las instrucciones de inmediato, usted puede morir o sufrir una lesión grave.

 **ADVERTENCIA**

Si no sigue las instrucciones, usted puede morir o sufrir una lesión grave.

Todos los mensajes de seguridad le dirán el peligro potencial, le dirán cómo reducir las posibilidades de sufrir una lesión y lo que puede suceder si no se siguen las instrucciones.

- Esta Guía de instalación le provee las instrucciones completas sobre cómo instalar el Juego de fábrica de hielo en su refrigerador/ congelador y sobre cómo conectar la línea de agua a la fábrica de hielo. Sírvase leer detenidamente la guía y seguir las instrucciones al pie de la letra. También asegúrese de observar todas las instrucciones de seguridad.
- Este juego se ha diseñado para que prácticamente cualquier persona pueda instalarlo. Sin embargo, se requiere tener cierta habilidad mecánica.
- Antes de comenzar a instalar el Juego de la fábrica de hielo, deberá comprar un juego de tubería de cobre que incluya un "Ensamblaje de válvula común y abrazadera" (para los refrigeradores que tengan una fábrica de hielo automática o bandejas de llenado automático). El juego incluye todas las piezas de ferretería necesarias para conectar su fábrica de hielo al suministro de agua. Lo puede adquirir en cualquier ferretería o tienda de artículos de plomería.
- **NO USE UNA VÁLVULA PERFORADORA NI UNA VÁLVULA DE CIERRE DE 3/16"**. Éstas reducen el flujo de agua a la fábrica de hielo y se obstruyen fácilmente.
- **NO USE TUBERÍA DE POLIETILENO** para conectar la fábrica de hielo a la línea de agua. Use solamente tubería de cobre de 1/4" de diámetro externo.

**LA INSTALACIÓN POR PARTE DEL CLIENTE NO ESTÁ GARANTIZADA POR EL FABRICANTE DEL REFRIGERADOR NI EL DE LA FÁBRICA DE HIELO.**

# Antes de comenzar

## Herramientas

Reúna las herramientas y piezas necesarias antes de comenzar la instalación. Lea y siga las instrucciones provistas con cualquiera de las herramientas enlistadas aquí.

1. Destornillador común
2. Destornillador Phillips
3. Llaves de boca de 7/16" y 1/2" (o una llave ajustable)
4. Pinzas
5. Aprietatuercas de 1/4"
6. Taladro manual y broca de 1/4"
7. Nivel pequeño manual (optativo)
8. Lima redonda pequeña de 3/4"
9. Cortador de tubos
10. Punzón
11. Martillo
12. Tijeras
13. Regla
14. Banco escalera (optativo)

## Notas sobre la instalación

1. Siga todas las instrucciones. Lea cada paso por completo para que lo entienda bien antes de realizarlo.
2. Las ilustraciones en esta Guía de instalación se han incluido para aclarar los pasos que debe realizar para la instalación. Consulte el diagrama que se muestra justo al lado o debajo del texto de cada uno de los pasos si requiere clarificación.  
Algunas ilustraciones también incluyen "DETALLES". Los DETALLES se incluyen en globos al lado de la ilustración más grande. Un DETALLE muestra una ilustración en primer plano de una porción en particular de un diagrama o de una ilustración de un paso específico que debe realizar. Los DETALLES tienen la letra A, B, C o D y se les hace referencia claramente en cada paso.
3. Cuando se le indique que instale una pieza, colóquela como se muestra en la ilustración.

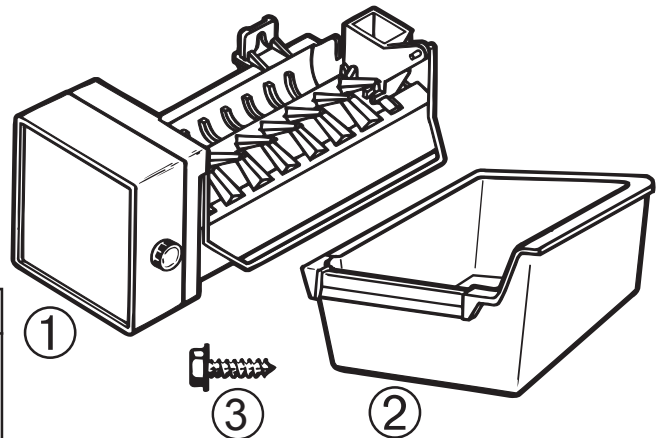
## Componentes

Saque el contenido de la caja de envío y coloque los artículos sobre una mesa, en donde se puedan identificar y ubicar fácilmente. Revise que todos los componentes en el juego se encuentren en la lista a continuación para ayudarlo a familiarizarse con ellos. Cuando identifique un componente, ponga una palomita al lado (3). Los números CLAVE corresponden a las "Ilustraciones de los componentes"

No deseche el material de empaque hasta que haya confirmado que se incluyeron todos los componentes. Si necesita pedir una pieza de repuesto para la fábrica de hielo, se ha provisto una lista de piezas de repuesto en la página 56.

CLAVE	CANT.	DESCRIPCIÓN
1	1	Fábrica de hielo
2	1	Balde para hielo
3	1	Tornillos para lámina metálica de cabeza hexagonal de 1/2"

## ILUSTRACIONES DE LOS COMPONENTES



# Instalación de la fábrica de hielo

## Pasos para la preparación

Consulte la ilustración a continuación para los siguientes pasos.

1. Jale el refrigerador alejándolo de la pared para que pueda alcanzar el panel posterior.

**IMPORTANTE** : Asegúrese de proteger el piso de cualquier daño.

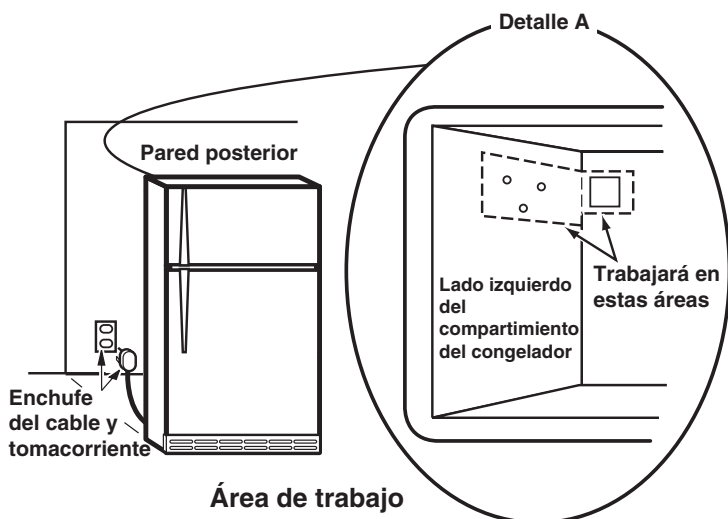
**⚠ ADVERTENCIA**



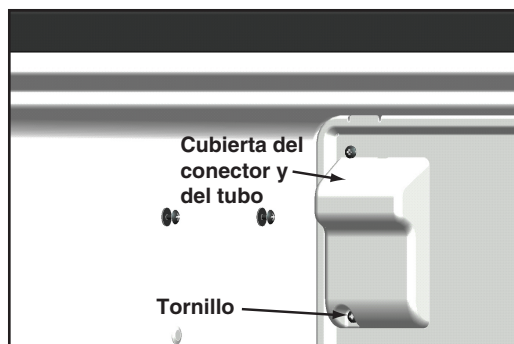
**Peligro de Choque Eléctrico**  
Desconecte el suministro de energía antes de instalar la fábrica de hielo.  
No seguir esta instrucción puede ocasionar la muerte o choque eléctrico.

2. Desenchufe el refrigerador o desconecte el suministro de energía.
3. Abra la puerta del congelador y saque todos los alimentos del compartimiento del congelador.
4. En aquellos modelos con congelador en la parte superior, sin estante de ancho completo en el congelador, saque el estante de la bandeja para hielo. Coloque el estante a un lado; lo va a utilizar más adelante para apoyar el balde para hielo.

**NOTA:** El área de trabajo para el refrigerador/ congelador se muestra en el DETALLE A debajo.

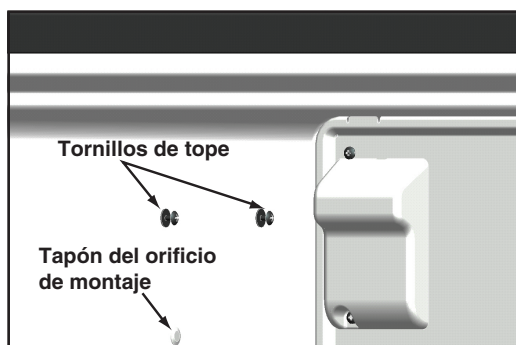


5. Saque el tornillo de la cubierta del conector de la fábrica de hielo y del tubo.



Cómo quitar la cubierta del conector y el tubo

6. Inserte la punta de un destornillador de hoja pequeña debajo del borde del tapón del orificio de montaje de la fábrica de hielo, el cual se encuentra en el costado del revestimiento del congelador, y haga palanca para sacarlo del orificio. Puede desechar el tapón.



**NOTA:** Verifique que los tornillos de tope estén en su lugar.

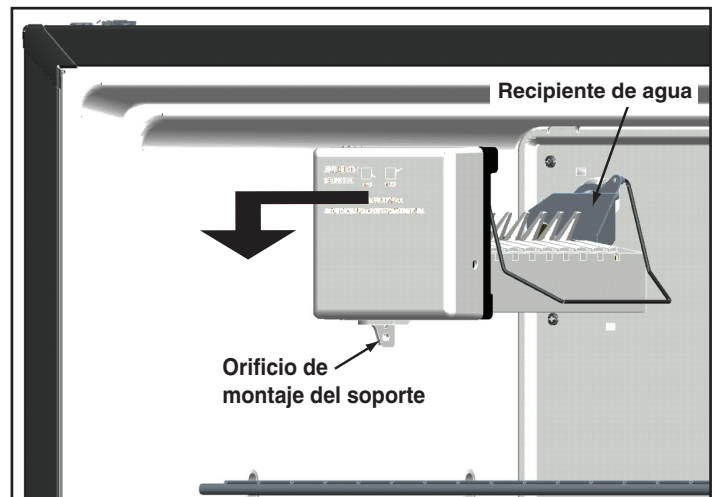
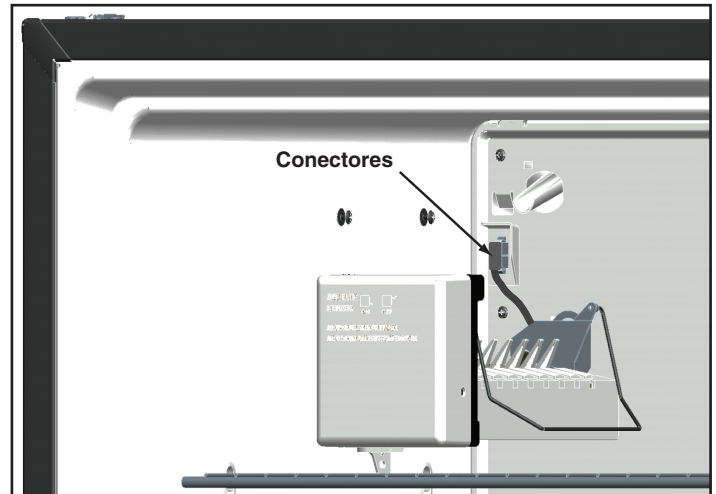
## Montaje de la fábrica de hielo

Consulte los diagramas laterales para los siguientes pasos.

7. Coloque la fábrica de hielo dentro del compartimiento del congelador y conecte su conector de cableado al conector del mazo de alambres, de modo que queden asegurados juntos (el brazo de bloqueo encajará sobre la lengüeta levantada). Los conectores encajarán juntos de un solo modo.
8. Cuelgue la fábrica de hielo en las lengüetas ubicadas en los tornillos de tope que se mostraron anteriormente. Asegúrese de que el orificio de montaje del soporte esté alineado con el orificio de montaje en el revestimiento del congelador.

**NOTA:** Coloque el tubo de llenado dentro del orificio para el recipiente de agua.

9. Monte la fábrica de hielo en el orificio de montaje del revestimiento del congelador con el tornillo para lámina metálica de cabeza hexagonal de 1/2" provisto.



Montaje de la fábrica de hielo

# Instalación de la línea de agua

## Cómo elegir la ubicación

1. Abra el juego de tubería de cobre que adquirió anteriormente y coloque el contenido ordenadamente sobre una mesa, de modo que los pueda identificar fácilmente. Las piezas del juego que va a utilizar son las siguientes:

- 1 válvula común (no del tipo perforador de acero)
- 2 mangas de compresión
- 2 tuercas de compresión
- 2 abrazaderas
- 2 tornillos
- 2 tuercas
- 1 sello para la junta \*
- 1 tubo de cobre enrollado

\* - No se necesita para los modelos de refrigeradores con congeador en la parte superior de 11 pies cúbicos (juego 24ECKMF)

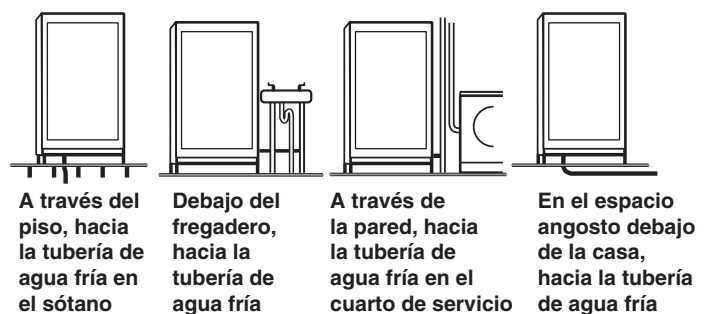
**NOTA:** Cuando manipule el tubo de cobre suave, tenga cuidado de no retorcerlo. Si lo retuerce accidentalmente, no lo use.

**IMPORTANTE:** No instale la tubería de la línea de agua en un lugar donde la temperatura baje más allá del punto de congelación; de otro modo podría ocasionar daños a la propiedad.

2. Elija una ubicación apropiada para la tubería de agua para instalar la válvula de cierre de agua (vea la ilustración lateral sobre recomendaciones de ubicaciones). Recomendamos que instale la válvula en un tubo de agua fría (no caliente) vertical, que esté lo más cercana a su refrigerador. Si no hay una tubería vertical cerca, puede utilizar una tubería de agua horizontal. Sin embargo, deberá taladrar el orificio de acceso para la válvula por la parte de arriba o el costado de la tubería (no por debajo). Esto evitará que el agua en la tubería se escurra sobre el taladro y también evitará que se acumule sedimento en la válvula más adelante.

**NOTA:** Dependiendo de la ubicación de la tubería horizontal en relación con el piso y la pared, tal vez no sea posible taladrar en ella.

3. Taladre un orificio de 3/8" en la tubería a través del piso o la pared.

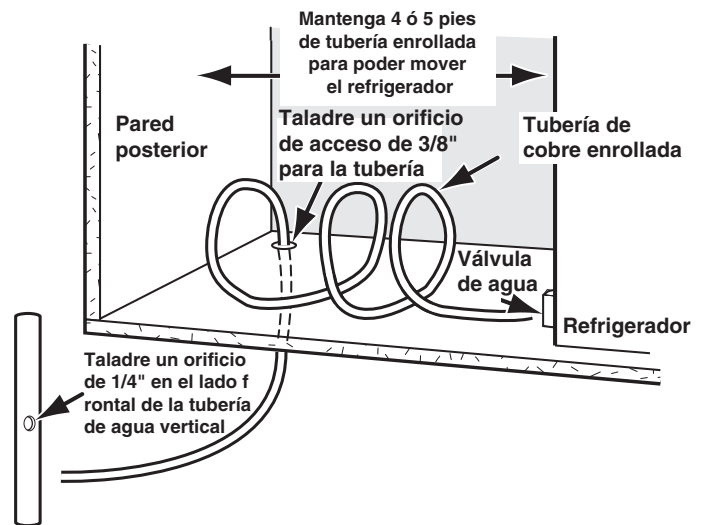


Ubicaciones típicas de la tubería de agua

## Cómo dirigir la tubería de cobre

Consulte el diagrama lateral para los siguientes pasos.

1. Desenrolle el largo necesario de la tubería de cobre y enderézcela; luego pase el extremo de la tubería a través del orificio de acceso que traladró hacia la ubicación que ha elegido para instalar la válvula de cierre. Enderece sólo el largo suficiente de la tubería de cobre para alcanzar esta ubicación. Deje el resto de la tubería enrollada cerca del orificio de acceso.
2. Ahora asegúrese que tener el largo de tubería necesario de modo que cuando haya terminado de conectar la línea de agua, tenga suficiente tubería enrollada detrás del refrigerador para moverlo fácilmente hacia adelante, lo suficiente para limpiar detrás de éste. También asegúrese de que los espirales sean lo suficientemente grandes para que no se estiren demasiado y se retuerzan cuando la unidad se jale hacia delante.
3. Cierre el suministro de agua fría hacia la tubería de agua en la que va a instalar la válvula de cierre.
4. Abra un grifo de agua fría que esté conectado a la tubería de agua que se eligió y libere la presión del agua. Mantenga el grifo abierto hasta que haya terminado la conexión de la línea de agua.
5. Con un martillo y un punzón, marque la ubicación del orificio para la válvula de cierre. Si va a marcar una tubería de cobre, no golpee el punzón con demasiada fuerza que pudiera doblarlo.



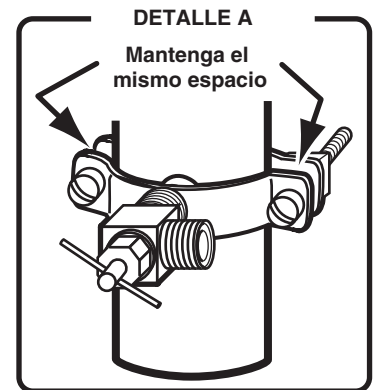
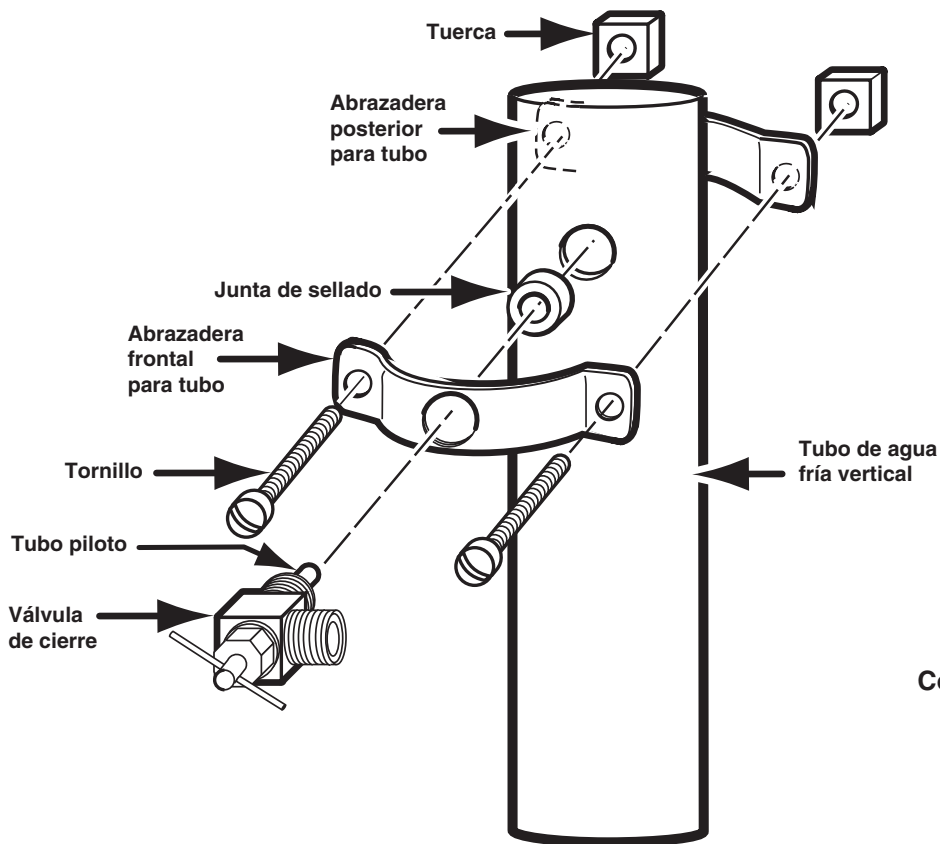
Cómo dirigir la tubería de cobre

6. Coloque una broca de 1/4" en el martillo y taladre cuidadosamente un orificio de acceso, sólo a través del lado frontal (no atravesese ambos lados) del tubo de agua fría.
7. Revise el orificio y asegúrese de haber taladrado por completo a través de un lado del tubo. El borde del orificio debe estar liso y redondo. Si es necesario, use una lima redonda pequeña de 3/4 para alisar el borde por el lado interior del orificio, y quitar la rebaba del orificio por la parte de arriba.

## Cómo instalar la válvula de cierre

Consulte el diagrama a continuación para los siguientes pasos.

1. Ubique la válvula de cierre y la abrazadera para la tubería frontal (con el orificio con rosca en el centro) del juego de la tubería de cobre. Luego, con cuidado de no forzar la rosca de la válvula, enrosque el extremo con el tubo piloto dentro del orificio con rosca de la abrazadera. Apriete la válvula a mano hasta donde sea posible (el eje con rosca es algo estrecho y sólo se puede apretar hasta cierto punto).
2. Use una llave de boca de  $\frac{1}{2}$ " (o ajustable) y gire el cuerpo de la válvula de cierre  $\frac{1}{8}$  de giro adicional, para asegurarla a la abrazadera.
3. Deslice la junta con sello de goma (del juego de tubería de cobre) sobre el tubo piloto (la porción sin rosca) de la válvula de cierre.
4. Deslice cuidadosamente el tubo piloto de la válvula de cierre dentro del orificio de acceso del tubo de agua, de modo que quede ajustado contra la junta de sellado, e instale la abrazadera para tubería posterior sobre el tubo de agua. Asegure las abrazaderas al tubo con los dos tornillos y tuercas provistos en el juego de la tubería de cobre. Apriete las tuercas a la par de modo que el espacio entre las abrazaderas sea el mismo (vea DETALLE A). **NO APRIETE DEMASIADO** las tuercas, de lo contrario podría deformar las abrazaderas y dañar la junta.

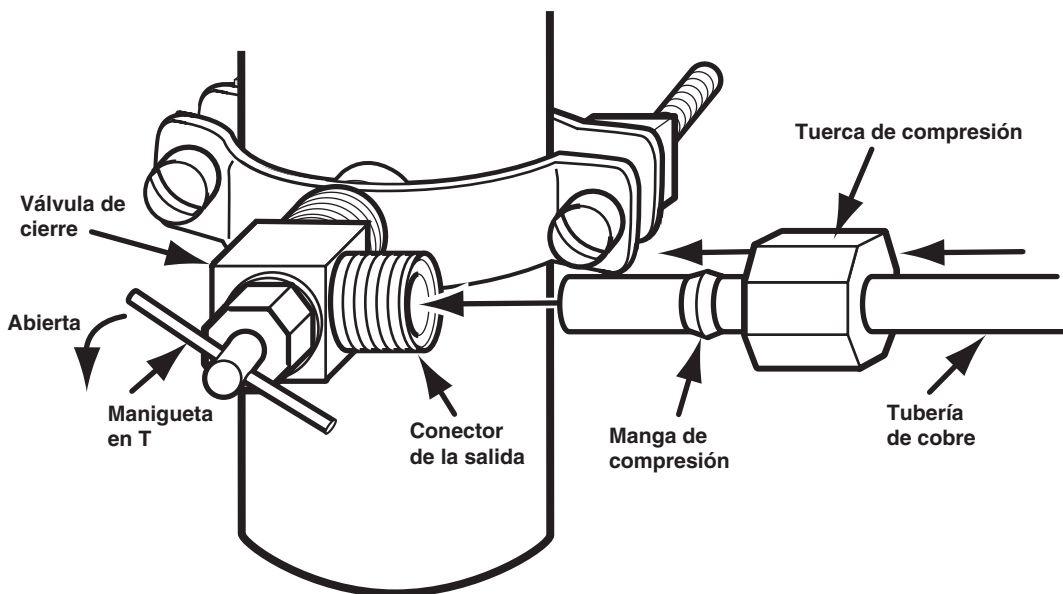


Cómo montar la válvula de cierre al tubo de agua

## Cómo conectar la tubería de cobre a la válvula de cierre

Consulte la ilustración a continuación para los siguientes pasos.

1. Enderece una sección de 2" de la tubería de cobre y asegúrese de que la abertura sea circular y corte uniformemente el extremo. Si es necesario, use un cortador de tubos (o una sierra de arco) y corte el extremo; luego líjelo para que esté uniforme y quite la rebaba que haya quedado en los bordes interior y exterior, de modo que el extremo esté liso y circular. Cuando haya terminado, limpie las limaduras por adentro del tubo lo más que pueda.
2. Coloque la tuerca de compresión como se muestra y deslícela sobre el extremo de la tubería de cobre.
3. Deslice una manga de compresión sobre la tubería de cobre hasta que esté a aproximadamente 1" del extremo.
4. Inserte el extremo de la tubería de cobre en el conector de la salida de la válvula de cierre hasta donde sea posible, y luego apriete la tuerca de compresión a mano todo lo que pueda.
5. Use una llave de boca de 1/2" para apretar la tuerca de compresión en la válvula de cierre una vuelta adicional. Si es necesario, apretará más la tuerca después de abrir el suministro de agua.
6. Gire la manigueta en T de la válvula de cierre a su posición de "abierta" por completo (rotación en la dirección de las manecillas del reloj).



Cómo conectar la tubería de cobre a la válvula de cierre



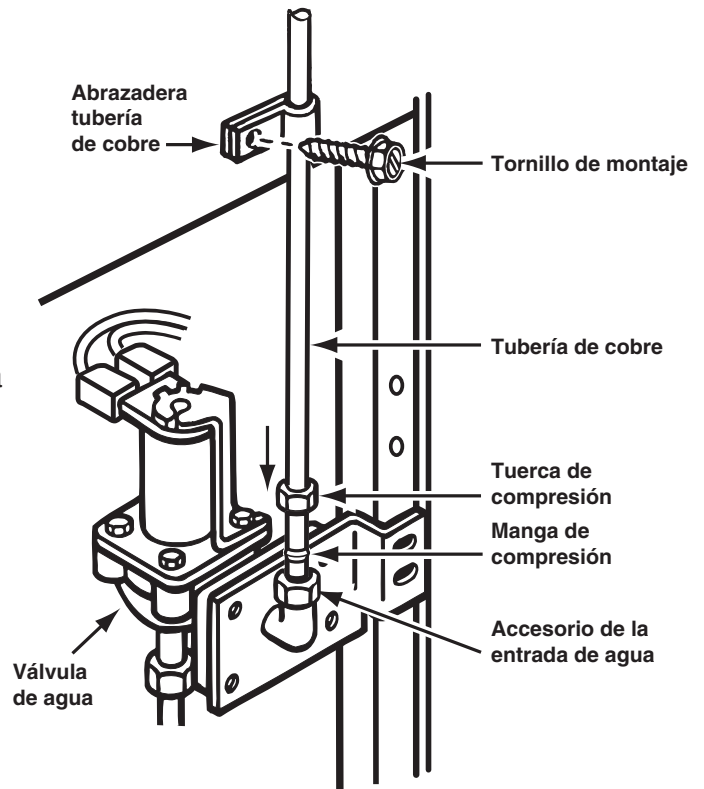
## Cómo conectar la tubería de cobre a la válvula de agua

Consulte el diagrama a continuación para los siguientes pasos.

1. Revise para asegurarse de que el extremo libre de la tubería esté circular y cortado uniforme. Si es necesario, prepare el extremo de la misma manera que lo hizo anteriormente. Asegúrese de limpiar las limaduras de la parte interior de la tubería después de preparar el extremo.

Cuando realice el siguiente paso, tenga cuidado de no retorcer la tubería de cobre.

2. Comenzando con el extremo libre, enderece aproximadamente 20" de la tubería de cobre.
3. Cierre el grifo de agua que dejó abierto anteriormente para liberar la presión de las líneas de agua.
4. Coloque el extremo de la tubería de cobre en una cubeta y haga que alguien abra el suministro de agua. Permita que fluya suficiente agua a través de las líneas para que se enjuaguen a fondo. Una vez que el agua salga clara, cierre el suministro y escurra el agua restante.
5. Quite la abrazadera del protector de cables de la parte posterior de la carcasa y deslícela sobre el extremo de la tubería de cobre. Asegúrese de colocar los rebordes como se muestra.
6. Deslice una tuerca de compresión sobre el extremo libre de la tubería de cobre.
7. Deslice una manga de compresión sobre la tubería de cobre y colóquela a 1" del extremo.
8. Si ya hay una instalada, quite el tapón de plástico del accesorio de la entrada de agua, el cual está en la válvula de agua, y deseche el tapón.
9. Inserte el extremo de la tubería en el conector de la entrada de agua en la parte superior de la válvula de cierre, hasta donde sea posible, y luego apriete la tuerca de compresión a mano todo lo que pueda.
10. Use una llave de boca de 1/2" y apriete más la tuerca de compresión en el conector de la entrada de agua una vuelta adicional. Si es necesario, apretará más la tuerca después de abrir el suministro de agua.
11. Coloque la abrazadera del protector de cables en la parte posterior de la carcasa con el tornillo de cabeza hexagonal que quitó anteriormente.

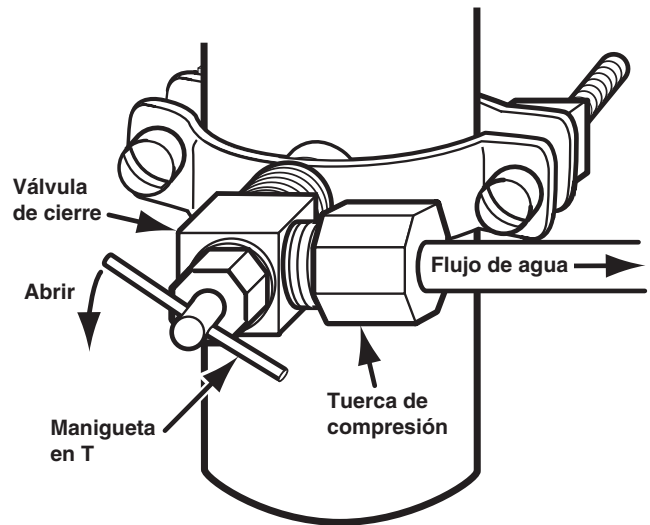


Cómo conectar la tubería de cobre a la válvula de agua

## Cómo abrir el agua

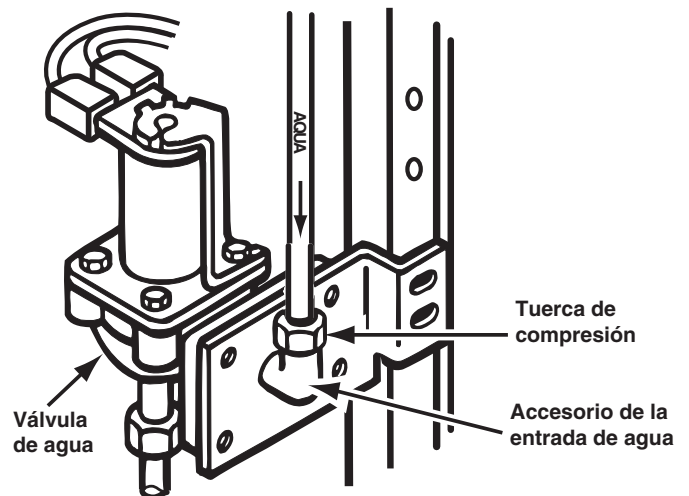
**NOTA:** Tenga mucho cuidado cuando apriete las tuercas de compresión, de modo que no las apriete demasiado y destruya la manga de compresión en el extremo de la tubería de cobre suave. Si esto ocurre, deberá cortar el extremo de la tubería, comprar una nueva manga de compresión y comenzar de nuevo.  
¡Sea cuidadoso y hágalo despacio!

1. Abra el suministro de agua y revise si hay fugas en la válvula de cierre. Si es necesario, consulte el diagrama lateral y apriete la tuerca de compresión en la válvula de cierre poco a poco, hasta que corrija la fuga. Limpie la conexión con un paño cada vez que revise si hay fugas.



Cómo apretar la conexión en la válvula de cierre

2. Revise si hay pérdidas de agua en la válvula de agua. Si es necesario, apriete la tuerca de compresión (vea el diagrama lateral) poco a poco, hasta el momento justo en el que se corrija la fuga.

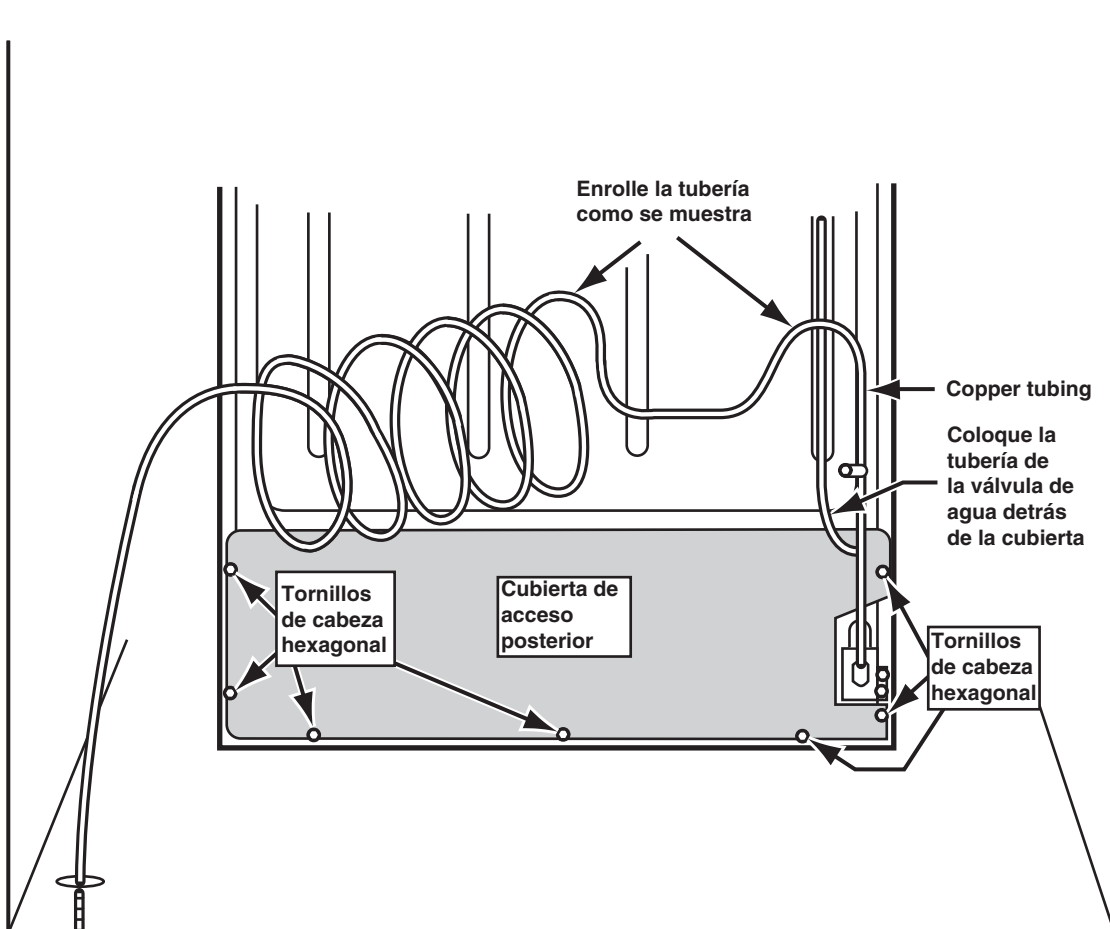


Cómo apretar la conexión en la válvula de agua

# Instalación final

## Cómo instalar la cubierta de acceso y dar forma a la tubería de cobre

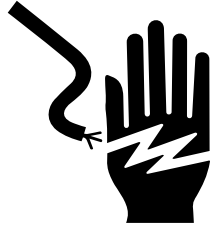
1. Vuelva a instalar la cubierta de acceso posterior en el refrigerador, de modo que la tubería de la válvula de agua esté dentro de la cubierta, y la línea de agua de cobre esté afuera (vea el diagrama abajo). Luego asegure la cubierta con los siete tornillos de cabeza hexagonal que quitó anteriormente.
2. Enrolle la tubería de cobre que sale de la válvula de agua como se muestra. Coloque la tubería de cobre enrollada cerca del centro de la unidad, de modo que forme un “doble de acordeón” (como se muestra en el diagrama abajo) cuando se aleje o acerque a la pared.



Cómo instalar la cubierta de acceso y dar forma a la tubería de cobre

## Cómo conectar el suministro eléctrico/nivelar la unidad

### ADVERTENCIA



#### **Peligro de Choque Eléctrico**

**Conecte a un contacto de pared de conexión a tierra de 3 terminales.**

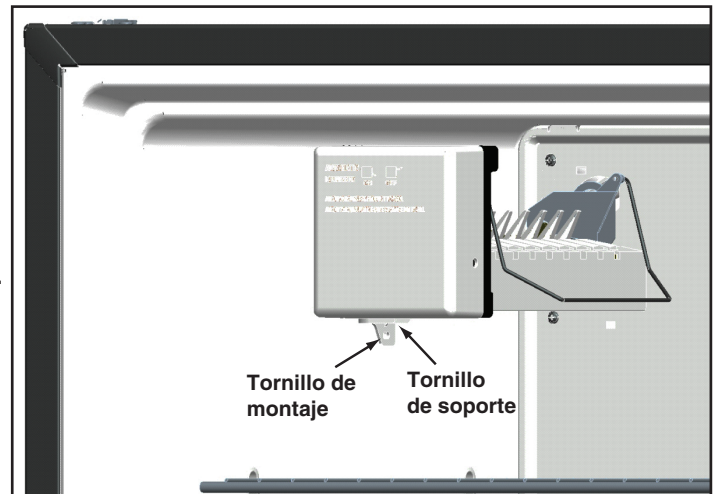
**No quite el terminal de conexión a tierra.**

**No use un adaptador.**

**No use un cable eléctrico de extensión.**

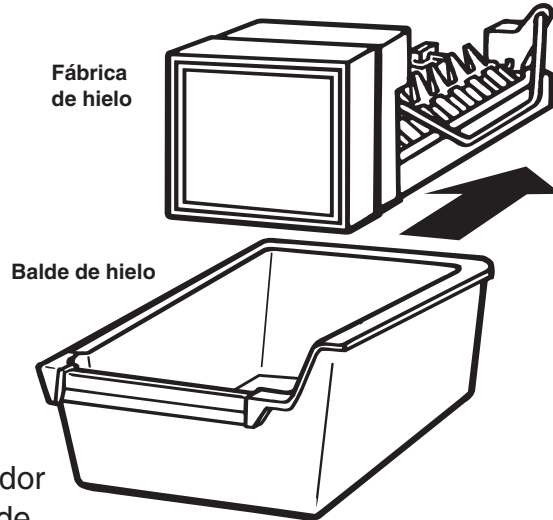
**No seguir estas instrucciones puede ocasionar la muerte, incendio o choque eléctrico.**

1. Enchufe el cable en el tomacorriente de CA y, con cuidado, empuje el refrigerador hacia atrás, contra la pared.
2. Coloque un nivel encima de la carcasa. Si es necesario volver a nivelar el refrigerador, siga el procedimiento para ajustar las ruedecillas frontales, como se describe en el “Manual de uso y cuidado” de su refrigerador.
3. Revise la posición de la fábrica de hielo. Si está torcida y necesita ajustarse, afloje el tornillo de montaje y el tornillo del soporte (vea el diagrama lateral), coloque la fábrica de hielo en la posición deseada y apriete los tornillos.



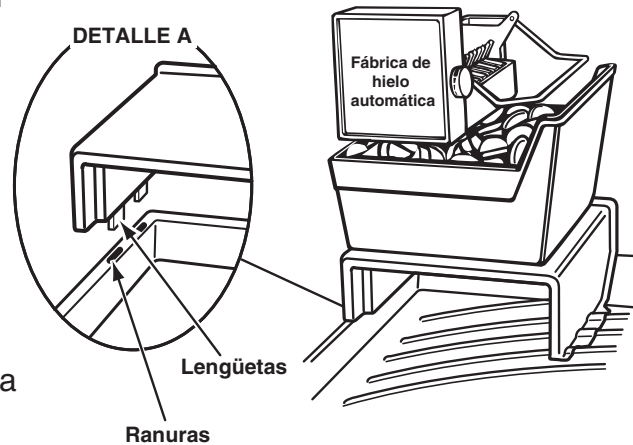
# Cómo poner en marcha la fábrica de hielo

1. Lave el balde para hielo y luego deslícelo debajo de la fábrica de hielo (vea el diagrama lateral) hasta donde sea posible. El balde para hielo quedará ubicado sobre el estante del congelador.



Cómo instalar el balde de hielo

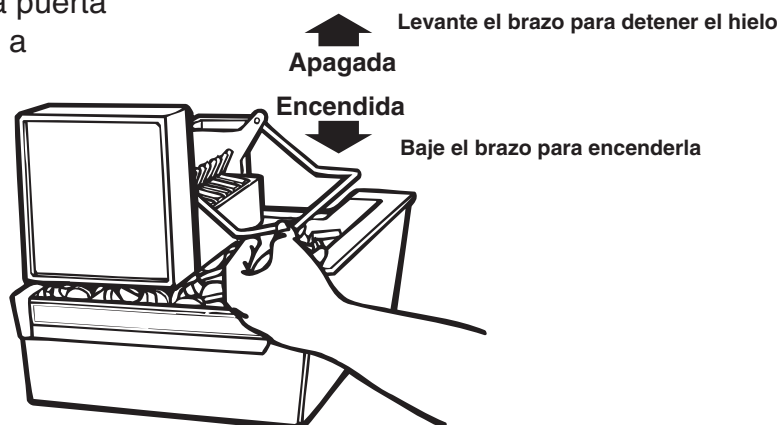
**IMPORTANTE:** Para los modelos con congelador en la parte superior que no tengan un estante de ancho completo en el congelador, deberá colocar el balde para hielo sobre el estante de la bandeja para hielo que está invertida. Primero coloque el estante para la bandeja de hielo mirando hacia abajo, de modo que el lado más corto esté a lo largo de la pared del congelador (vea el DETALLE A). Luego inserte las lengüetas en el lado más corto del estante dentro de las ranuras que están en el borde del piso del congelador. Esto sostendrá el estante en su lugar. A continuación, coloque el balde para hielo sobre el estante de la bandeja para hielo que está invertida y deslícelo debajo de la fábrica de hielo (vea el diagrama lateral). La fábrica de hielo no funcionará correctamente si el balde para hielo se coloca justo sobre el piso del congelador.



2. Regrese los artículos al compartimiento del congelador.

3. Baje el brazo en la fábrica de hielo (vea el diagrama lateral) a su posición de “encendido” y cierre la puerta del congelador. La fábrica de hielo comenzará a fabricar hielo en menos de 24 horas.

**NOTA:** Por lo general la fábrica de hielo toma aproximadamente 24 horas para comenzar a producir hielo. Una vez que esté disponible, notará que no tiene buen sabor. Si esto ocurre, haga dos o tres tandas de hielo y deséchelas. Después de hacerlo, el hielo deberá tener un sabor normal. Si tiene algún problema, consulte “Solución de problemas” en la página 54.



Cómo encender la fábrica de hielo

Con este paso se termina la instalación de su fábrica de hielo.

# Solución de problemas

## Notas sobre el funcionamiento

1. La válvula de agua de la fábrica de hielo incluye una arandela de flujo que funciona como regulador de presión para controlar el flujo de agua. Para que la fábrica de hielo funcione bien, la presión del agua de su hogar debe ser entre 20 y 120 lb/pulg<sup>2</sup>. Si la fábrica de hielo presenta problemas para la producción de hielo, llame a su compañía de agua y solicite que se revise la presión del agua.

2. La válvula de agua de la fábrica de hielo está equipada con dos filtros: uno tipo canasta de plástico y uno con malla de alambre. Para limpiarlos, cierre el agua y desensamble la válvula de agua (su centro de servicio debe poder proveer este servicio). Si las condiciones del agua local requieren de una limpieza periódica, o si usted utiliza un pozo como fuente de agua, deberá considerar instalar un segundo filtro de agua en la línea de agua. Puede obtener un filtro de agua en el distribuidor de electrodomésticos de su localidad.

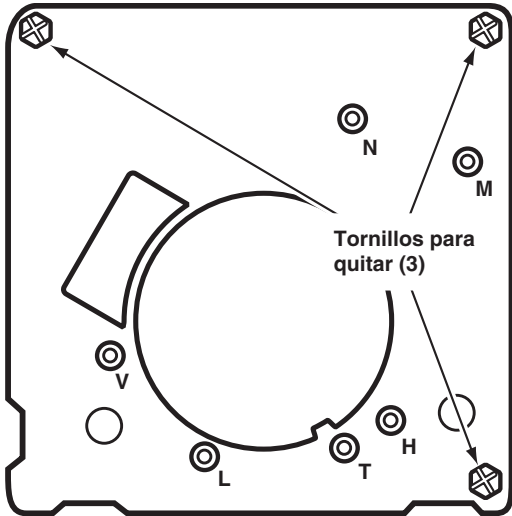
## Cuadro de solución de problemas

El siguiente cuadro muestra varios problemas comunes que podrían ocurrir con su fábrica de hielo.

PROBLEMA	CAUSA
Se escucha uno o más de los siguientes sonidos: <ul style="list-style-type: none"><li>• Zumbido</li><li>• Agua goteando</li><li>• Ruido sordo (traqueteo de hielo)</li></ul>	Está funcionando la válvula de agua. El agua está entrando al recipiente de llenado de la fábrica de hielo. Se está descargando el hielo dentro del balde para hielo.
El hielo no sabe fresco.	El hielo es viejo. Haga una nueva tanda.
El agua en la fábrica de hielo se desborda.	El refrigerador o la fábrica de hielo no está nivelado/a. Si la fábrica de hielo se desborda aún después de la nivelación, cierre el suministro de agua de la fábrica de hielo en la válvula de cierre y levante el brazo de alambre de la fábrica de hielo a la posición de “apagado” (vea la página 53); luego póngase en contacto con su centro de servicio.
No hay suficiente hielo.	Transcurrirán 48 horas hasta que se llene el balde para hielo. La fábrica de hielo producirá hielo cada 2 a 3 horas. Para producir más hielo, regule el control del congelador a un ajuste más frío.
Se ha detenido la producción de hielo.	Asegúrese de haber bajado el brazo de alambre dentro del balde (vea la página 53). Asegúrese de que esté abierta la válvula de cierre del agua. La válvula de cierre del agua o el filtro de la válvula de agua está obstruido (póngase en contacto con su centro de servicio local).

# Hoja de servicio de la fábrica de hielo modular

## Puntos de prueba del módulo



## Especificaciones

CALENTADOR DEL MOLDE – 185 VATIOS, 72 OHMIOS  
 TERMOSTATO – CERRADO  $17^{\circ} \pm 3^{\circ}$   
 (PIEZA BIMETÁLICA) ABIERTA  $32^{\circ} \pm 3^{\circ}$   
 LLENADO DE AGUA – 140CC, 7,5 SEG.  
 MOTOR – 1,5 VATIOS, 8.800 OHMIOS  
 MÓDULO – CIRCUITO ESTAMPADO,  
 ENCHUFE LOS CONECTORES  
 CICLO – UNA REVOLUCIÓN  
 (EXPULSIÓN Y LLENADO DE AGUA)  
 PARA EL MODELO DE 120 VOLTIOS

## Ajuste del nivel de agua

GIRAR EL TORNILLO EN EL SENTIDO DE LAS MANECILLAS DEL RELOJ DISMINUYE EL LLENADO DE AGUA.

- $\frac{1}{2}$  VUELTA EQUIVALE A 20 CC O 1,2 SEG.
- UNA VUELTA COMPLETA EQUIVALE A 40 CC O 2,4 SEG.
- EL AJUSTE MÁXIMO ES DE UNA VUELTA COMPLETA EN CUALQUIER DIRECCIÓN. EL ROTAR MÁS DE UNA VUELTA PUEDE DAÑAR EL MÓDULO.

PRUEBAS DE OHMÍMETRO DEL MÓDULO (NO HAY SUMINISTRO ELÉCTRICO A LA FÁBRICA DE HIELO Y LAS HOJAS EXPULSORAS EN PARK [ESTACIONARIAS])			
PUNTOS DE PRUEBA	COMPONENTE	POSICIÓN DEL MÓDULO	OHMIOS
L-H	CALENTADOR DE MOLDE	SUJETO AL SOPORTE	72
L-M	MOTOR	DESCONECTAR DEL SOPORTE	8800

## Procedimientos de servicio

### CUBIERTA

JALE PRIMERO LA PERILLA DE AJUSTE DE AGUA Y JALE LA CUBIERTA PARA SACARLA. INDEXE LA PERILLA Y VUELVA A INSTALARLA EN LA MISMA POSICIÓN PARA EL LLENADO DE AGUA.

### ENSAMBLAJE DEL MÓDULO, EL MOTOR Y EL SOPORTE

INSERTE UN DESTORNILLADOR PHILLIPS EN LOS PUERTOS DE ACCESO DEL MÓDULO. AFLOJE AMBOS TORNILLOS. DESCONECTE EL BRAZO DE CIERRE. JALE EL MOLDE DEL ENSAMBLAJE DE SOPORTE.

### BRAZO DE CIERRE

JÁLELO PARA SACARLO DEL SOPORTE. VUELVA A INSERTARLO HASTA EL TOPE.

### MOLDE Y CALENTADOR

QUITE EL ENSAMBLAJE DEL MÓDULO, EL MOTOR Y EL SOPORTE.

### PIEZA BIMETÁLICA

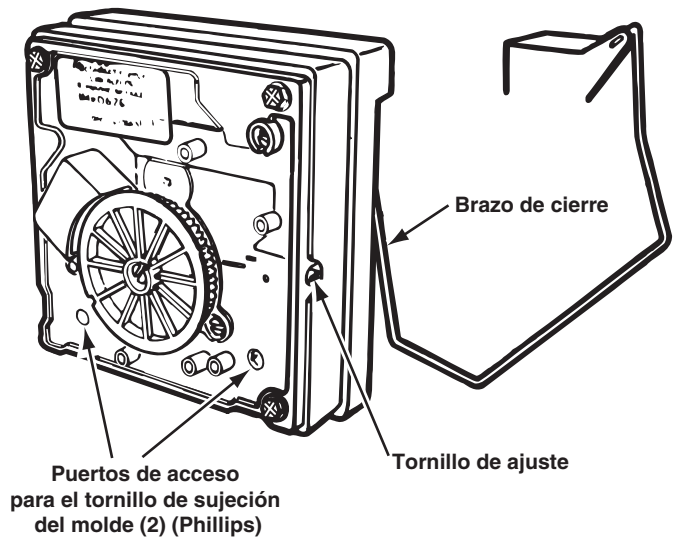
QUITE EL ENSAMBLAJE DEL MÓDULO, EL MOTOR Y EL SOPORTE. JALE LOS SUJETADORES DE RETENCIÓN CON LA PIEZA BIMETÁLICA PARA SACARLOS.

### RECIPIENTE DE LLENADO

QUITE EL ENSAMBLAJE DEL MÓDULO, EL MOTOR Y EL SOPORTE. QUITE LAS HOJAS EXPULSORAS Y EL BRAZO DE CIERRE. JALE EL RECIPIENTE DE LLENADO DEL MOLDE.

### HOJAS EXPULSORAS O STRIPPER

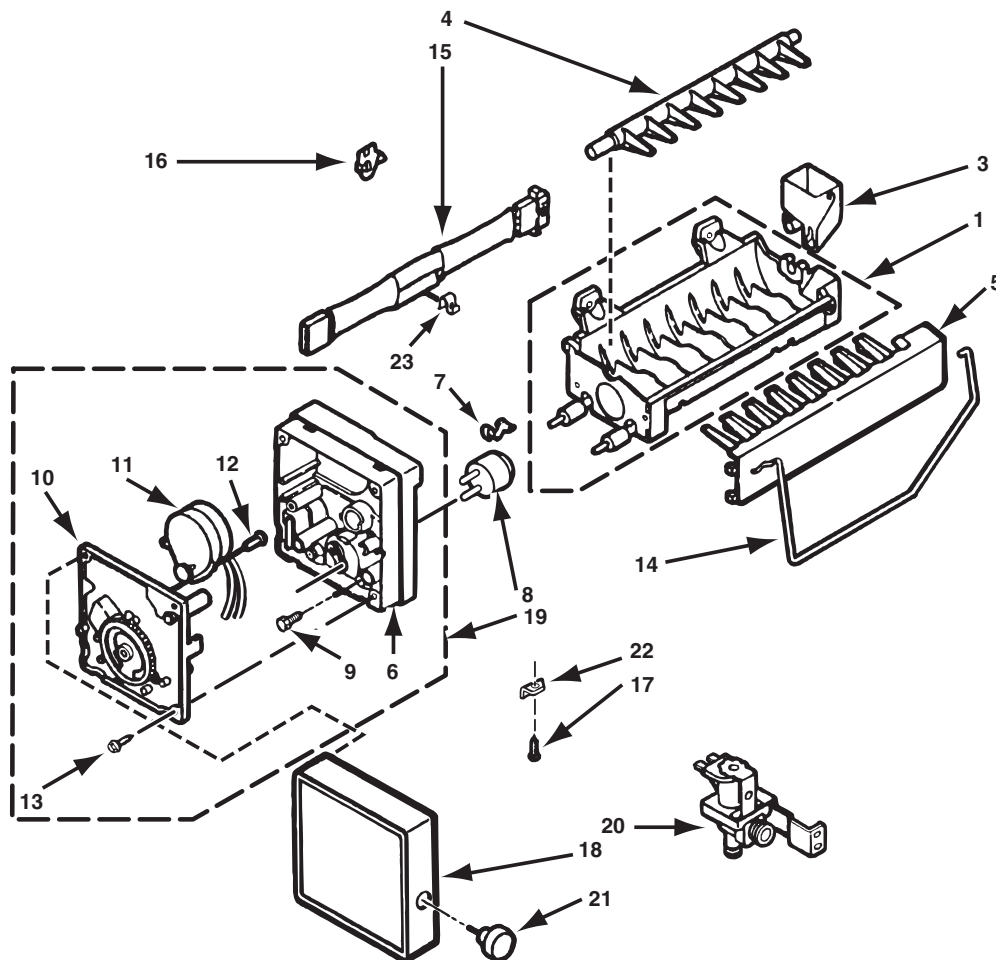
QUITE EL ENSAMBLAJE DEL MÓDULO, EL MOTOR Y EL SOPORTE. CUANDO VUELVA A INSTALAR LAS HOJAS EXPULSORAS, ALINEE NUEVAMENTE EL ACOPLAMIENTO "D" CON LA LEVA DEL MOLDE.



## Lista de piezas de repuesto de la fábrica de hielo

Cuando haga un pedido de una pieza, use el “Número de pieza”, no el “Número de clave”.

Número de clave	Número de pieza	Descripción
1	628228	Ensamblaje del molde y el calentador
3	628356	Rodamiento y entrada
4	627843	Eyector
5	627788	Eyector de hielo
6	627790	Soporte
7	627796	Retén, termostato (2)
8	627985	Termostato (también pida #542369 cemento alumilastic)
9	489322	Tornillo (2) 10-32 x 49/64”
10	628358	Módulo, ensamblaje
11	628258	Motor
12	489136	Tornillo, (2) 3-24 x 23/64”
13	489276	Tornillos (3)
14	627792	Brazo de cierre
15	628256	Mazo de alambres
16	2155021	Sujetador, fábrica de hielo
17	489128	Tornillo, 8-32 x 27/64”
18	1115846	Cubierta
19	628366	Ensamblaje del módulo (incluye los artículos 10, 11 y 12)
20	627929	Solenoide de la válvula
21	1115844	Perilla de agua
22	628229	Soporte
23	628379	Sujetador, fusible térmico





## Lista de piezas de repuesto de la fábrica de hielo (continuación)

Las siguientes piezas no están ilustradas.

Las piezas optativas no se incluyen en esta lista.

Número de pieza	Descripción
2166261	Bandeja para los cubos de hielo
836489	Tubo de agua de accesorio
2181961	Bolsa de accesorios, adentro
1106508	Junta
489478	Tornillo 8-18 x 1/2"
488649	Tornillo 8-32 x 1/2"
2181939	Inserto, tubo de plástico
2154101	Sujetador, tubo de llenado de la fábrica de hielo
488878	Abrazadera para tubería
489385	Abrazadera para tubería
W10339205	Placa de tubo de accesorio
2171943	Tubo – entrada de agua
2174755	Tubo – entrada de agua
W10289690	Cubierta, fábrica de hielo
W10279909	Ensamblaje de la válvula de agua
W10365048	Fábrica de hielo