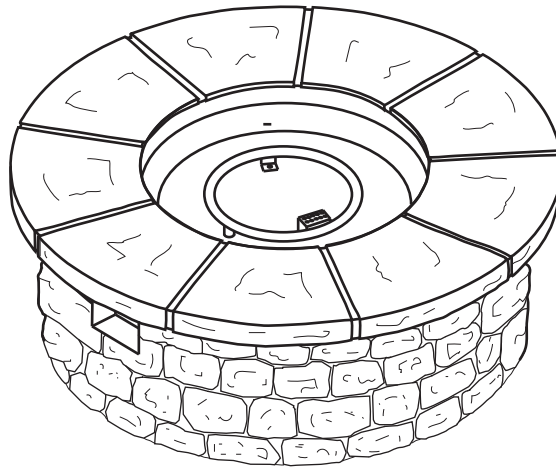


Lot: _____

P.O. _____



realflame[®]
fireplaces



C11810LP Sedona Round Fire Table Owner's Manual

! IMPORTANT
SAVE THESE
INSTRUCTIONS

! WARNING
For outdoor use only. DO NOT use for cooking. DO NOT use under any overhead enclosure.



! WARNING

If the information in this manual is not followed exactly, a fire or explosion may result causing property damage personal injury or loss of life.

Installation and service must be performed by a qualified installer, service agency or gas supplier.

Improper Installation, adjustment, alteration, service or maintenance can cause injury or property damage.

Read the installation, operation and maintenance instructions thoroughly before installing or servicing this equipment.

Save these instructions for future reference. If you are assembling this unit for someone else, give this manual to him or her to read and save for future reference.

! DANGER

If you smell gas:
1. Shut off gas to the appliance.
2. Extinguish any open flame.
3. If odor continues, keep away from the appliance and immediately call your gas supplier or fire department.

! WARNING

Do not store or use gasoline or other flammable vapors and liquids in the vicinity of this or any other appliance.

An LP-cylinder not connected for use should not be stored in vicinity of this or any other appliance.

For Technical Support Please Contact Real Flame[®] At: 1-800-654-1704

TABLE OF CONTENTS

Important Safety Information	3
Propane (LP) Dangers and Warnings	5
Hose & Regulator Assembly and Replacement	7
Parts List	8
Assembly Instructions	9
Pre-Use Instructions	12
Lighting Instructions	13
Care and Cleaning	14
Gas Component Checks	15
Troubleshooting	17
Warranty	19



DANGER

CARBON MONOXIDE HAZARD

This appliance can produce carbon monoxide which has no odor.

Using it in an enclosed space can kill you.

Never use this appliance in an enclosed space such as a camper, tent, car or home.



IMPORTANT SAFETY INFORMATION



WARNING FIRE TABLE IS FOR OUTDOOR USE ONLY

IF YOU SMELL GAS

- Shut off gas supply to the fire table.
- Extinguish any open flame.
- Do not try lighting any appliance.
- Do not touch any electrical switch; do not use any phone in your building.
- Immediately call your gas supplier from a neighbor's phone.
- Follow the gas supplier's instructions.
- If you cannot reach your gas supplier, call the fire department.

- **WARNING** Failure to follow the dangers, warning and cautions in this manual may result in serious bodily injury or death, or in a fire or an explosion causing damage to property.
- **IMPORTANT NOTICE** Read and understand all warnings and precautions prior to assembly and use of your gas fire table. Improper installation, adjustment, alteration, service or maintenance can cause injury or property damage.
- **Note** The use and installation of this product must conform to local codes. In the absence of local codes, use the National Fuel Gas Code, ANSI Z21.97. Reference to Natural Gas and Propane Installation code CSA B149.1 or Propane Storage and Handling code B149.2.
- **Minimum Clearance from Unit to Combustible Materials**
72”(182.9cm) from the top; 48” (121.9 cm) from all sides and back. Do not locate this fire table under any overhead enclosure.
- This gas fire table and its individual shutoff valve must be disconnected from the gas supply piping system during any pressure testing of that system at test pressures in excess of 1/2 psi (3.5 kPa). The appliance must be isolated from the gas supply piping system by closing its individual manual shutoff valve during any pressure testing of the gas supply piping system at test pressures equal to or less than 1/2 psi (3.5 kPa).
- Keep these instructions for future reference. If you are assembling this unit for someone else, give this manual to him or her to read and keep for future reference.
- This gas fire table must be used **ONLY** outdoors in a well-ventilated space and shall **NOT** be used inside a building, garage, or any other enclosed area.
- **DO NOT** use this outdoor gas fire table for indoor heating. **TOXIC** carbon monoxide fumes can accumulate and cause asphyxiation.
- **NEVER LEAVE** this gas fire table unattended when in use.
- Children should be alerted to the hazards of high surface temperatures and kept at a safe distance while your fire table is in use.
- Do not store or use gasoline or other flammable vapors and liquids within 25 feet (7.62m) of this or any other appliance.
- Do not store any combustible materials in the base enclosure.
- The use of alcohol, prescription or non-prescription drugs may impair an individual's ability to properly assemble or safely operate this outdoor fire table.

IMPORTANT SAFETY INFORMATION (continued)

- DO NOT use in an explosive atmosphere. Keep gas fire table area clear and free from combustible materials, gasoline and other flammable vapors and liquids.
- This outdoor fire table is NOT to be operated by children. Young children should be closely supervised when in the vicinity of this outdoor fire table.
- This outdoor fire table is not to be installed or used in or on recreation vehicles and/or boats.
- Always use in accordance with all applicable local, state and national codes. Contact your local fire department for details on outdoor burning.
- Use the same precautions you would with any open fire when using this outdoor fire table.
- DO NOT burn solid fuels such as: wood, charcoal briquettes, lump charcoal, manufactured logs, driftwood, trash, leaves, paper, cardboard, plywood, painted or stained or pressure treated wood in this outdoor fire table.
- DO NOT use this outdoor fire table until it is COMPLETELY assembled and all parts are securely fastened and tightened.
- DO NOT store another LP gas tank within 10 feet (3.05 m) of this outdoor fire table while it is in operation.
- DO NOT use this outdoor fire table near automobiles, trucks, vans or recreational vehicles.
- DO NOT use this outdoor fire table under any overhead structure or near any unprotected combustible constructions. Avoid using near or under overhanging trees and shrubs.
- Always use this outdoor fire table on a hard, level non-combustible surface such a concrete, rock or stone. An asphalt or blacktop surface may not be acceptable for this purpose.
- DO NOT use this outdoor fire table if any part has been under water. Immediately call a qualified service technician to inspect the fire table and to replace any part or control system and any gas control which has been under water.
- DO NOT wear flammable or loose clothing when operating this outdoor fire table.
- DO NOT use in windy conditions.
- Keep all electrical cords away from a hot outdoor fire table.
- Certain areas of this outdoor fire table when in use will become too hot to touch. Do not touch hot surfaces until the unit has cooled unless you are wearing protective gear such as insulated pot holders or heat resistant gloves or mittens to avoid burns.
- DO NOT hang or place clothing or other flammable materials on or near the gas fire table.
- Any guard or other protective device removed for servicing the fire table must be replaced prior to operating the fire table.
- DO NOT attempt to move or store this outdoor fire table until all parts are cool.
- DO NOT lean over this outdoor fire table when lighting or when in use.
- Use only the regulator and hose assembly provided. The replacement regulator and hose assembly shall be that specified by the manufacturer.
- DO NOT attempt to disconnect the gas regulator from the tank or any gas fitting while the outdoor fire table is in use.
- Always shut off gas supply at the tank valve and disconnect regulator from the tank when the fire table is not in use
- DO NOT sit on the mantle when the unit is in operation.
- DO NOT throw anything onto the fire when the unit is in operation.
- Lava rocks are very hot; please keep the children or pets away at a safe distance.
- It is essential to keep the outdoor fire table valve compartment, burners, and circulating air passages clean. Inspect outdoor fire table before each use.
- Prior to each fire table operation, check the hose for evidence of excessive abrasion or wear by looking through the visual check hole. If the hose is damaged, cracked or cut, it must be replaced before using the gas fire table. The hose assembly can only be replaced with a hose assembly specified by the manufacturer. Please call Real Flame at 1-800-654-1704.

IMPORTANT SAFETY INFORMATION (continued)

- Before each use, remove the lava rocks. Examine the burner and its components. If dirty, clean with a soft brush and soapy water solution. Examine the area around the burner; any dirt or foreign material, such as spider webs or nests in this area should be removed. If it is evident that the burner is damaged, the fire table must not be used. The burner assembly cannot be replaced. Please contact Real Flame at 1-800-654-1704 for technical support.
- Place the hose out of the pathways where people may trip over it. Do not place the hose in areas where it may be subjected to accidental damage.

⚠ WARNING

This fire table is for use with liquefied petroleum (LP) gas only. The conversion to Natural Gas (NG) must be done with the approved Real Flame conversion kit and must be done by a gas professional. Failure to do so may result in property damage, injury, or death.

ATTENTION: Any alteration of the outdoor fire table that is not specifically directed in the operations manual will void manufacturer warranty.

PROPANE (LP) DANGERS AND WARNINGS

LP GAS

LP gas is flammable and hazardous if handled improperly. Become aware of the characteristics before using any LP gas product.

Propane Characteristics

- Flammable, explosive under pressure, heavier than air and settles in pools in low areas.
- In its natural state, propane has no odor. For your safety, an odorant has been added.
- Contact with propane could burn your skin.
- Propane is extremely flammable and hazardous if handled improperly.

LP GAS WARNINGS

- Cylinders must be stored outdoors in a well-ventilated area out of reach of children.
- Disconnected cylinders must have threaded valve plugs tightly installed and must not be stored in a building, garage or any other enclosed area.
- Never use a propane cylinder with a damaged body, valve, collar or footing.
- Dented or rusted propane cylinders may be hazardous and should be checked by your propane gas supplier.
- Be sure to use only one 20 lb (9.1 kg) LP gas cylinder with a Type 1 valve with this appliance as required by the American National Standards Institute (ANSI) and the Canadian Standards Steering Committee.
- Only tanks marked "propane" may be used.
- The LP gas supply tank must be constructed and marked in accordance with the Specifications for LP gas LP gas tanks of the U.S. Department of Transportation (DOT) or the National Standard of Canada, CAN/CSA-B339, LP gas tanks, Spheres and Tubes for the Transportation of Dangerous Goods; and Commission.
- LP gas tank must be arranged for vapor withdrawal.
- The LP gas tank must have a listed overfilling prevention device (OPD) and a QCCI or Type I (CGA810) LP gas tank connection.

PROPANE (LP) DANGERS AND WARNINGS

- The LP gas tank must have a tank collar to protect the tank valve.
- LP gas cylinder must contain a shut-off valve as specified in the Standard for Compressed Gas Cylinder Valve Outlet and Inlet Connection, ANSI/CGA-V-1-1977, CSA B96.
- The LP gas tank should not be dropped or handled roughly.
- Tanks must be stored outdoors out of the reach of children. Do NOT store in a building, garage, or any other enclosed area.
- Never store your LP gas tank where temperatures can reach over 125°F.
- Do not store the LP gas cylinder in direct sunlight or near a source of heat or combustion.
- Never keep a filled LP gas tank in a hot car or car trunk. Heat will cause the gas pressure to increase, which may open the relief valve and allow gas to escape.
- Place dust cap on valve outlet whenever the LP gas tank is not in use. Only install the type of dust cap on the LP gas tank valve outlet that is provided with the LP gas tank valve. Other types of caps or plugs may result in leakage of propane.
 - a. Do not store a spare LP gas cylinder under or near this appliance.
 - b. Never fill the LP gas cylinder beyond 80% full.
 - c. If the information in (a) and (b) is not followed exactly, a fire causing death or serious injury may occur.
- LP gas cylinders should be filled only by a certified LP gas dealer.
- The pressure regulator is set for 11 inches of water column (pressure).
- The maximum inlet gas pressure for this outdoor fire table is 14 inches of water column pressure.
- Never attempt to attach this appliance to the self-contained LP gas system of a camper trailer, motor home or house.
- Always use the pressure regulator and hose assembly provided with the appliance to connect to a LP gas cylinder. Never connect to an unregulated LP gas supply. For technical support contact Real Flame at 1-800-654-1704.
- Hand turn the manual gas control valve. Never use tools. If the valve will not turn by hand, do not try to repair it. Call a Certified Gas Technician. The use of force or any self attempted repair may result in a fire or explosion.

Connecting your gas cylinder

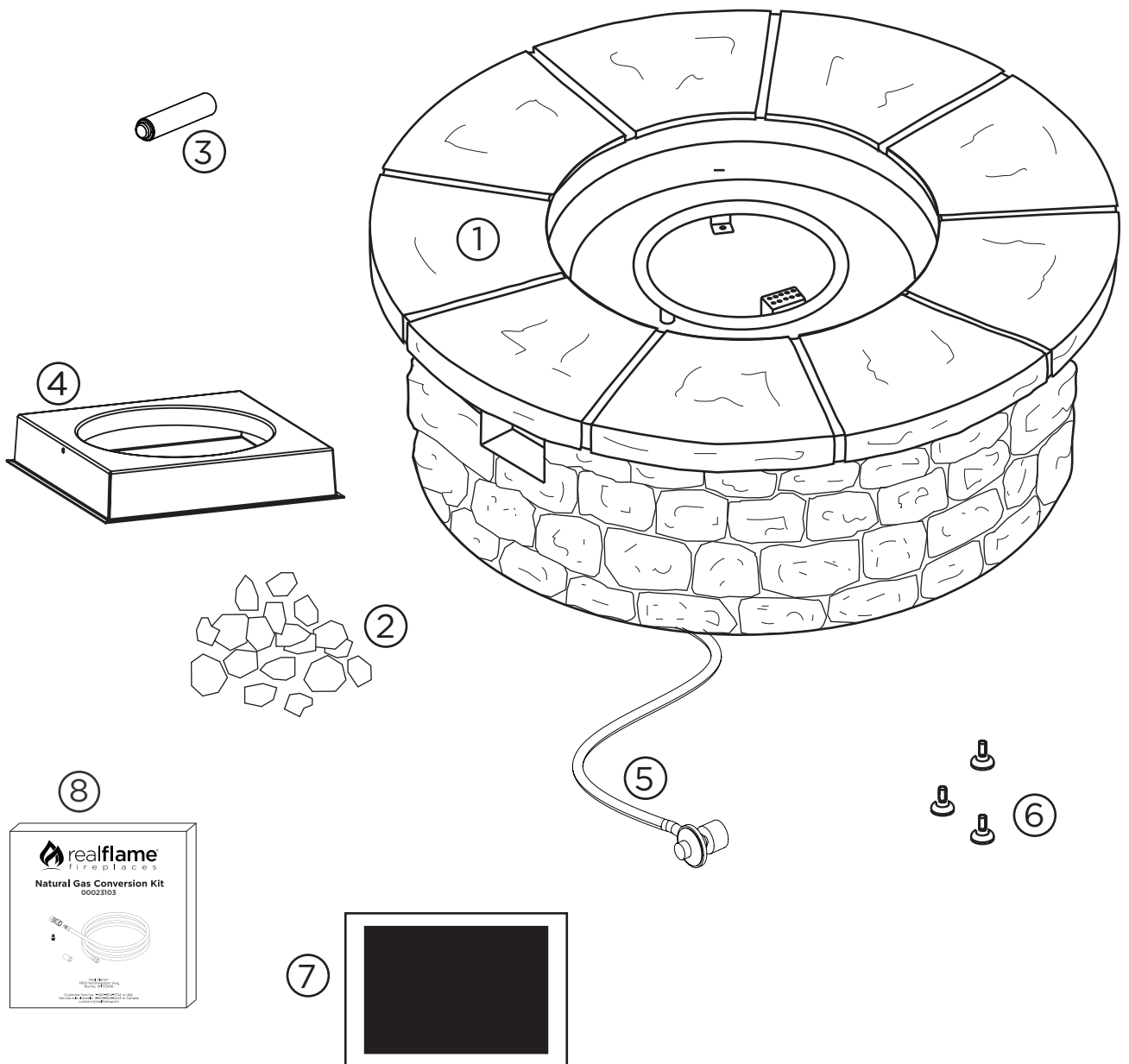
Before connection, be sure that there is no debris caught in the head of the gas cylinder, head of the regulator valve or in the head of the burner and burner ports. Connect regulator valve and hand-tighten firmly. Disconnect the propane cylinder from the regulator valve when the fire table is not in use. DO NOT obstruct the flow of combustion air and ventilation air to the burner.

HOSE & REGULATOR ASSEMBLY AND REPLACEMENT

- 1.** This fire table comes equipped with a standard LP gas hose and regulator including the appliance side connection for a CGA No 791 Cylinder Connection Device. The LP gas hose and regulator supplied with this fire table must be used. Only a hose and regulator specified by manufacturer can be used for replacement.
 - a.** The CGA No 791 connection incorporates a magnetic flow limiting device that acts to limit the flow of gas if a leak is detected between the regulator and the burner valve.
 - b.** If the burner valve is open prior to the LP gas cylinder service valve being opened, the connection will interpret this free flow of gas to be a leak.
 - c.** The connection safety feature will reduce gas flow from the regulator to the appliance to a minimal level.
 - d.** Be sure that the burner control valve is closed prior to opening the LP gas cylinder service valve to ensure that the connection flow limiting device is not triggered mistakenly.
 - e.** If the connection flow limiting device is triggered mistakenly, close the LP gas cylinder service valve and the burner valve, wait 10 seconds to allow the device to reset, open the cylinder service valve, then open the burner valve and light the fire table as per lighting instructions.
- 2.** Be sure to protect the hose from any hot surfaces. Serious danger may result if the hose contacts any hot surface.
- 3.** Regular maintenance of the hose and regulator:
 - a.** Inspect the hose before each use of the fire table. Use a handheld mirror to see hose sections located under the unit. If the hose shows signs of cracks, abrasions, cuts or damage of any kind, do not operate the fire table. Fix or replace the hose as required before using the fire table. For assistance with repair or replacement of the hose, call Real Flame at 1-800-654-1704. Use only replacement parts from the manufacturer.
 - b.** Inspect the seal inside the CGA No 791 service valve on the LP gas cylinder when replacing the cylinder or at least once per year. If there is any indication of damage, have the seal replaced by a certified gas dealer before operating the fire table.
- 4.** Do not use tools to tighten the CGA No 791 connection nut onto the LP gas cylinder service valve. Hand tighten only.
- 5.** Be careful to not cross the threads on the connection when tightening the CGA No 791 connection on to the LP gas cylinder service valve.
- 6.** “Leak Test” should always be performed after attaching the connection to the LP gas cylinder service valve. (See “Checking for Leaks” section of this manual on page 12)
- 7.** For the connection of the hose and regulator to the LP tank, refer to the “Connection” section of the LP gas cylinder section above.

Parts List

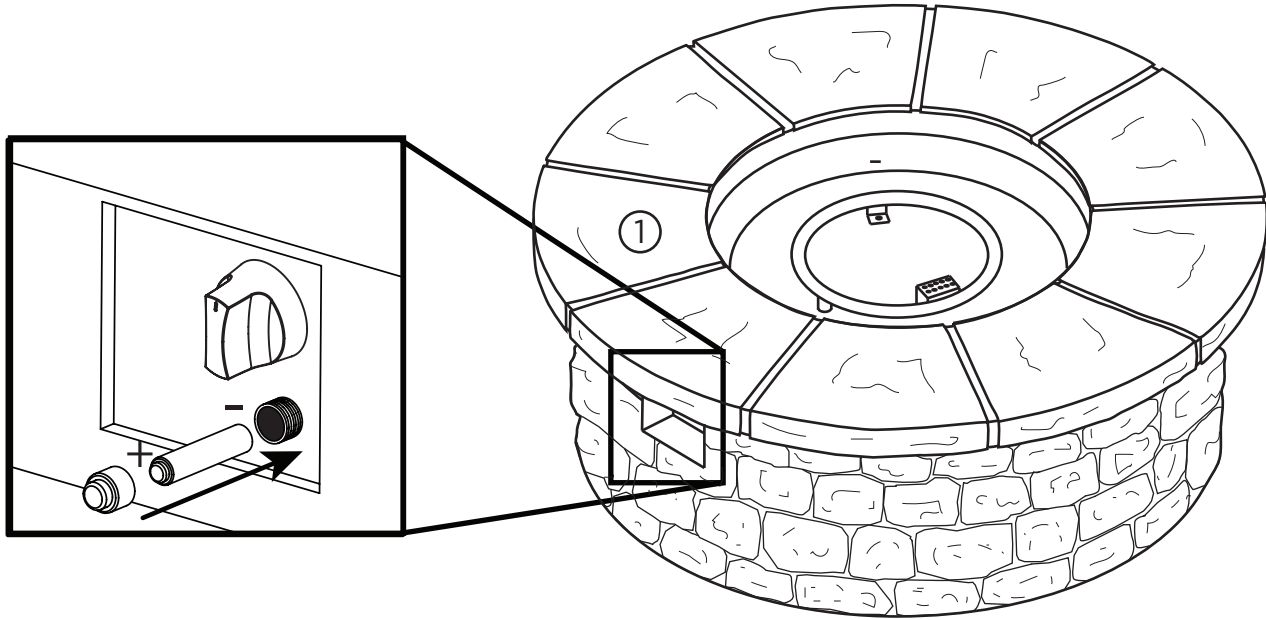
①	Fire Table	N/A	1	⑤	LP Regulator and Hose	100190000	1
②	Lava Rock	118137100	1	⑥	Feet	06000003	3
③	Battery	N/A	1	⑦	Protective Cover	118100007	1
④	Tank Seat	100260000	1	⑧	Conversion Kit	00023109S	1



ASSEMBLY INSTRUCTIONS

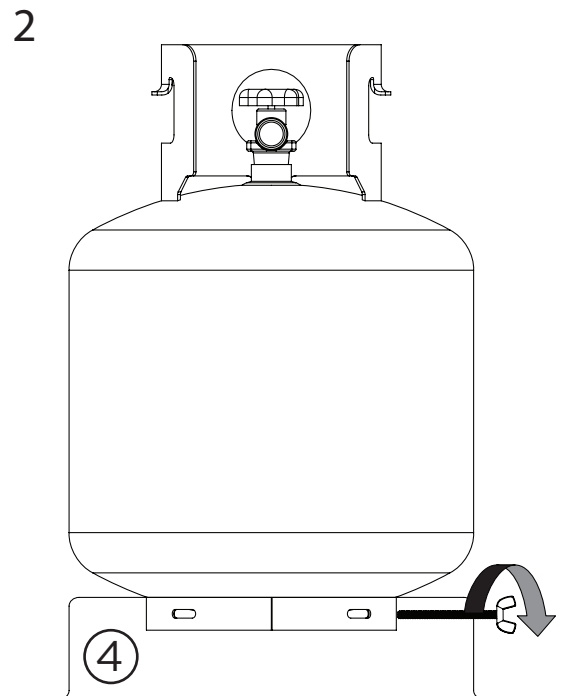
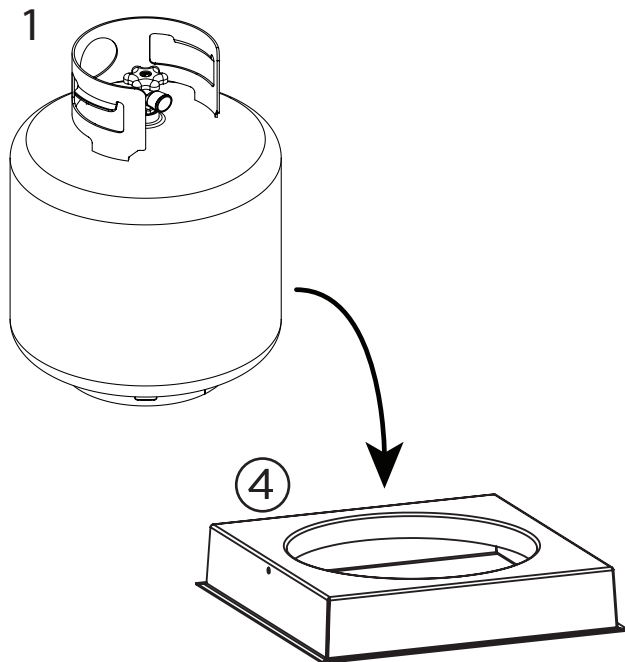
1

Install the AAA battery as shown in the diagram below.



2

1. Place the tank seat on the ground and place a 20 lb. propane tank into the tank seat.
2. Tighten down the screw on the side of the tank seat to secure the propane tank.

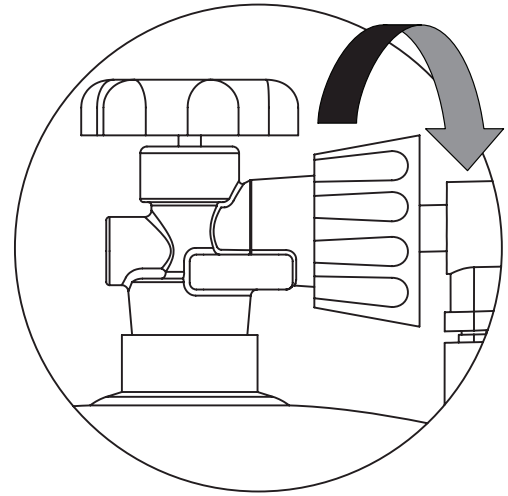


Connecting the LP Gas Tank

3

Check to make sure there is no debris in the head of the LP gas tank or in the head of the regulator valve. Make sure you check the burner and burner ports as well.

Connect gas line to tank by turning knob clockwise. Hand tighten only.

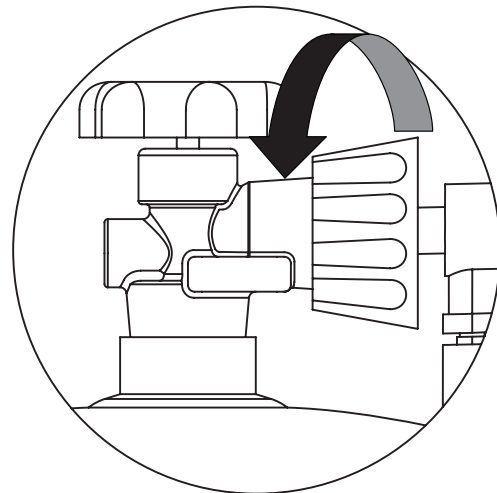


Disconnecting the LP Gas Tank

4

Make sure the valve on the LP gas tank is OFF.

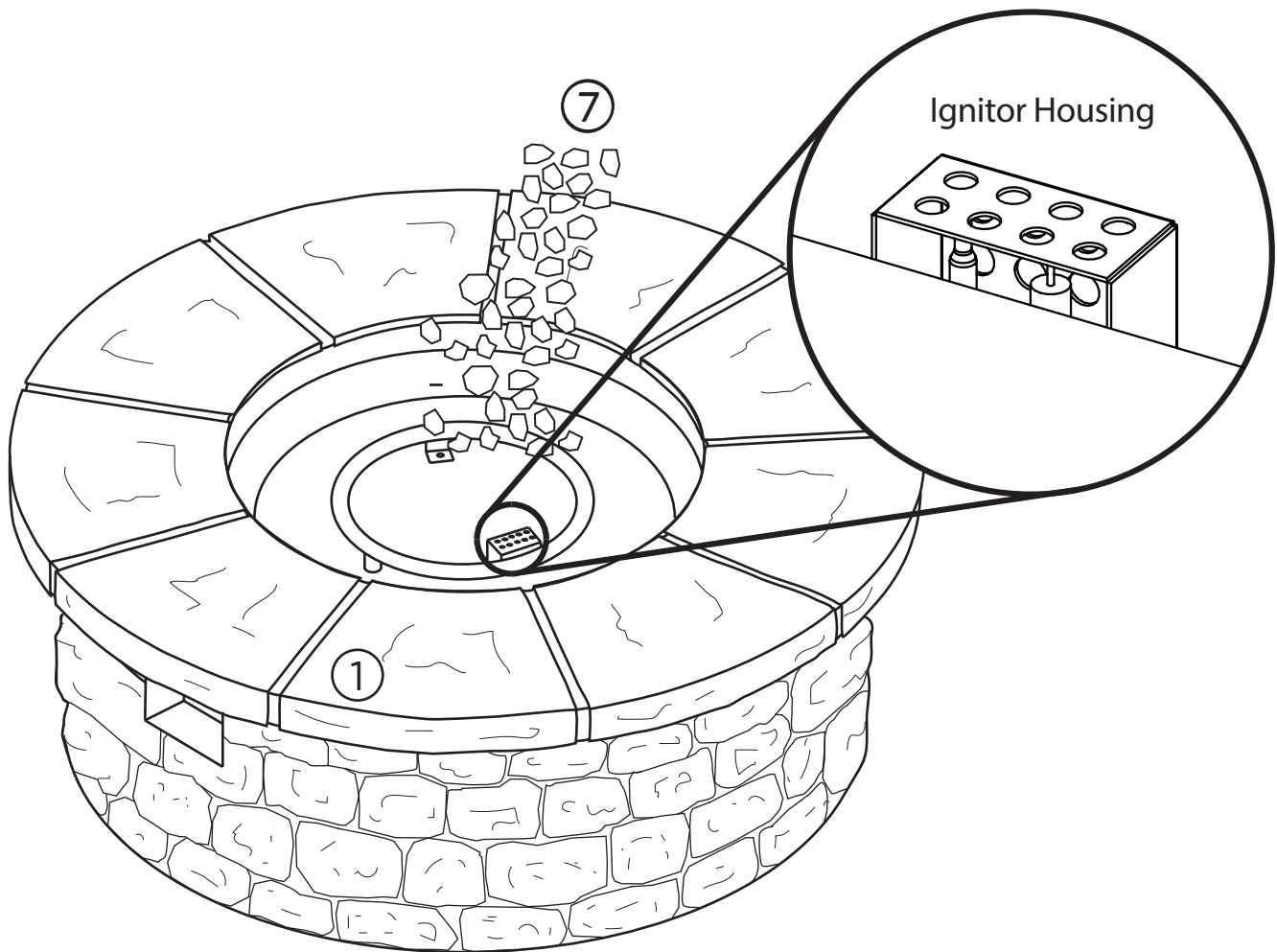
Disconnect by turning the knob counter clockwise until it is detached from the valve.



ASSEMBLY INSTRUCTIONS

5

Place filler material by hand. DO NOT dump bag out into tray to avoid clogging the burner with dust. Position the lava rock or other approved filler material across the burn area to a level 1" above the burner. Make sure that you do not block the igniter housing with filler to ensure proper ignition.



NOTE

Additional filler materials such as glass or pumice stone are available for purchase through Real Flame. Contact Real Flame for pricing and options.

Lava Rock and Alternate Filler Warning:

1. Do not overfill the burner area filler materials. The depth of the filler should not be more than one inch above the burner tube. Only Real Flame filler products have been certified and tested by CSA for safe use with this Real Flame fire table. Using other filler material may result in increased popping/ and cracking or increased CO gas emission.
2. Do not light or use this fire table if filler is wet. Ensure filler is completely dry before lighting. Intense heat can cause wet filler to explode and hit someone causing injury.
3. Please keep away from the fire table for at least 20 minutes during initial start-up as filler could retain some moisture from manufacturing and shipping.

! WARNING Before using this outdoor fire table, make sure you have read, understand and are following all information provided in the Important Safety Information section of this manual. Failure to follow those instructions can cause death, serious injury or property damage.

Prior to each gas fire table operation, check the hose and valve for evidence of excessive abrasion or wear.

BURNER CONNECTIONS

Make sure the regulator valve and hose connections are securely fastened to the burner and the tank. If your unit was assembled for you, visually check the connection between the burner pipe and orifice. Make sure the burner pipe fits over the orifice.

! WARNING Failure to inspect this connection or follow these instructions could cause a fire or an explosion, which can cause death, serious bodily injury, or damage to property.

Please refer to diagram for proper installation. If the burner pipe does not rest flush to the orifice please contact Real Flame at 1-800-654-1704 for assistance.

CHECKING FOR LEAKS

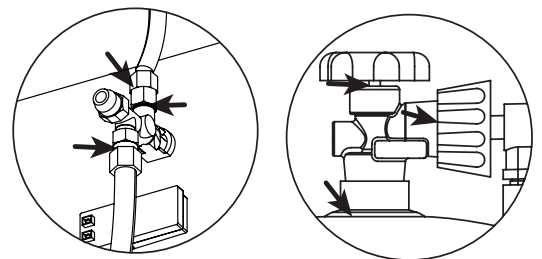
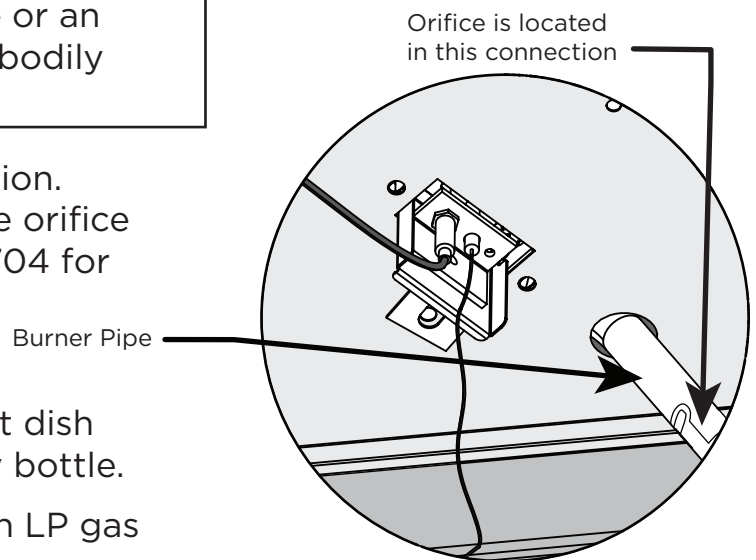
Make a leak check solution by mixing 1 part dish washing soap with 3 parts water in a spray bottle.

Make sure control knob is "OFF." Then, turn LP gas tank to "ON" at valve.

Spray leak solution on valve connections paying particular attention to the areas indicated by arrows.

If any bubbles appear turn LP gas tank OFF, reconnect and re-test. If you continue to see bubbles after several attempts, disconnect LP gas source and contact Real Flame at 1-800-654-1704 for assistance.

If no bubbles appear after one minute turn tank OFF, wipe away solution and proceed.

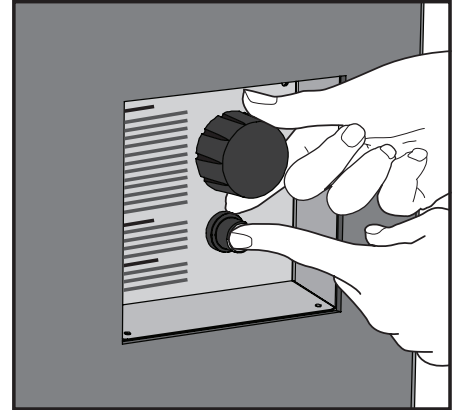


Check for leaks at these locations

LIGHTING INSTRUCTIONS

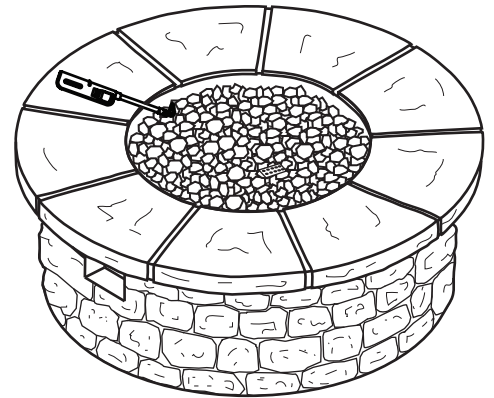
Using the Igniter

1. Read and understand all operating instructions before lighting. Ensure that all protective film has been removed from stainless burn tray prior to lighting.
2. Burner control knob must be in the OFF position.
3. Connect propane (LP) cylinder (see previous pages).
4. Slowly open valve on LP gas cylinder.
5. Push and hold ignitor button to create sparks.
6. While holding the ignitor button with one hand, use your other hand to push and turn the control knob to the LIGHT position to light the burner.
7. Keep Burner Control Knob pressed in for 15-30 seconds after ignition.
8. If ignition does not occur in 30 seconds, turn control knob to the OFF position and turn gas off at the source, wait 5 minutes until gas has cleared and repeat lighting procedure.
9. After lighting, rotate the Burner Control Knob counter clockwise to LOW setting. Observe flame, make sure all burner ports are lit. Flame height should be no higher than 13 inches tall.
10. Adjust the flame to the desired height with the control knob.



Using a Long Match or Lighter

1. Prior to lighting, use a shovel to move lava rocks for access to the burner.
2. Wearing heat resistant gloves, position the burning long match or burning butane lighter near the side of the burner. DO NOT lean over the fire table while lighting!
3. Turn control knob counterclockwise to LIGHT.
4. Remove long match/long butane lighter.
5. After lighting, use a shovel and heat resistant gloves to carefully move the lava rocks back into their proper position.
6. After lighting, rotate the Burner Control Knob counter clockwise to LOW setting. Observe flame, make sure all burner ports are lit. Flame height should be no higher than 13 inches tall.
7. Adjust the flame to the desired height with the control knob.



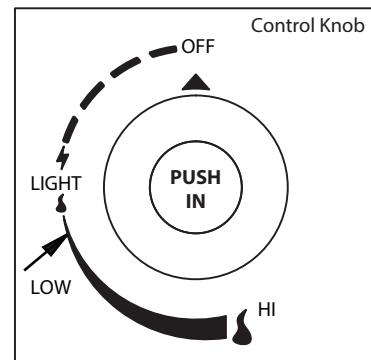
WARNING

When using this method to light your fire table use heat resistant gloves and follow the step by step instructions. Failure to do so could result in severe injury.

WARNING

If burner flame goes out during operation, immediately turn the control knob OFF and let the gas clear a minimum of 5 minutes before attempting to re-light the fire table.

Please refer to the trouble shooting pages for additional support, beginning on page 17.



CARE AND CLEANING

Inspecting

This fire table must be inspected regularly to ensure that the product is safe to use and to extend product life.

⚠ WARNING DO NOT inspect this fire table until the fire is COMPLETELY out.

1. Make sure all parts are securely fastened in place. If a part moves when touched, check its connection points to see if they are loose.
2. Check all gas connections for leaks.
3. Check ignition system to insure proper sparking.
4. Check components for any signs of damage, rust or excessive wear.
5. If damage to any component is detected, DO NOT operate until the proper repairs have been made.

⚠ WARNING DO NOT tamper with this appliance. This is DANGEROUS and will void the warranty. Any part found to be faulty must be replaced with an approved part, confirmed by the manufacturer. For technical support contact Real Flame at: 1-800-654-1704.

General Care and Cleaning

1. This fire table should be cleaned regularly to ensure safe use and extended product life.

NOTE: After repeated use, a slight discoloration of the finish may occur.

⚠ WARNING DO NOT attempt to clean this fire table unless the fire is completely out and the unit is cool to the touch.
DO NOT use oven cleaner or abrasive cleaners as they will damage this product.
DO NOT USE SOLVENTS while in closed spaces or while smoking.

Table

1. Wipe exterior surfaces with a mild dishwashing soap, then rinse clean with water.

Storage:

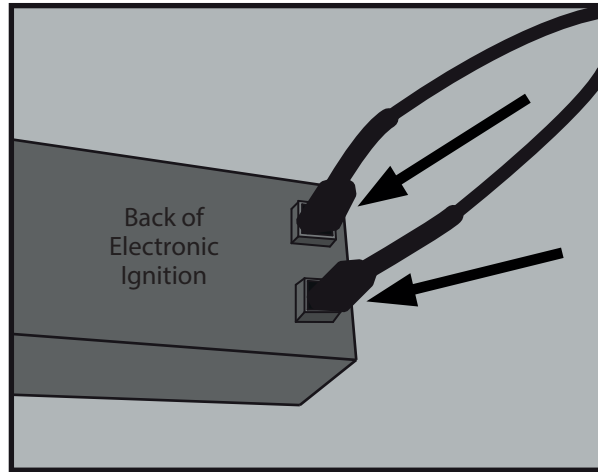
⚠ WARNING DO NOT move or store this fire table unless the fire is COMPLETELY out and is cool to the touch.

1. Turn gas OFF at tank connection. Remove tank and store in a cool, dry location outdoors, away from children.
2. Carefully remove filler and store components flat to protect them from breakage.
3. ALWAYS cover your fire table when not in use. The cover will protect the mechanical components from dirt and debris, prevent water from pooling on surface of the fire table and will prevent fading and discoloration of the finish.
4. Store in a cool, dry location away from children and pets.

GAS COMPONENT CONNECTION CHECKS

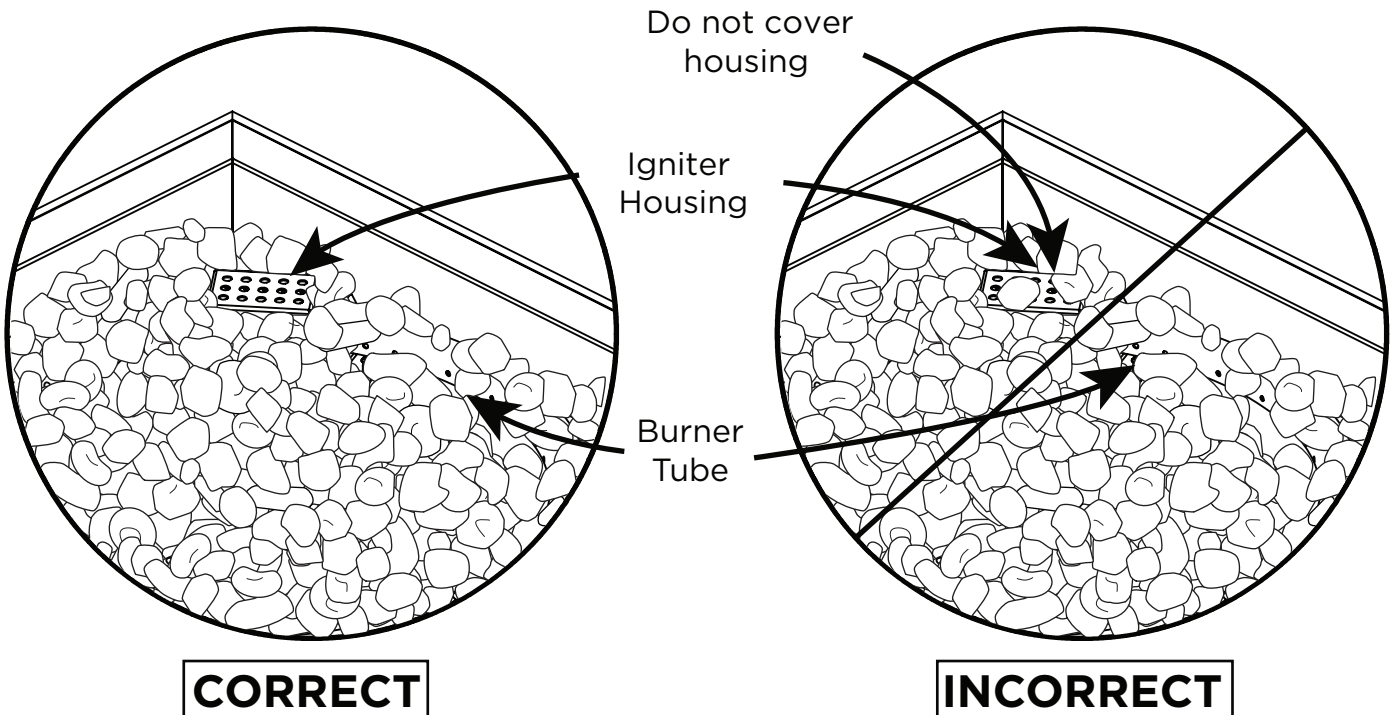
If the burner will not light or stay lit, please perform the following checks.

1. Make sure the electrode wire is completely and correctly connected.

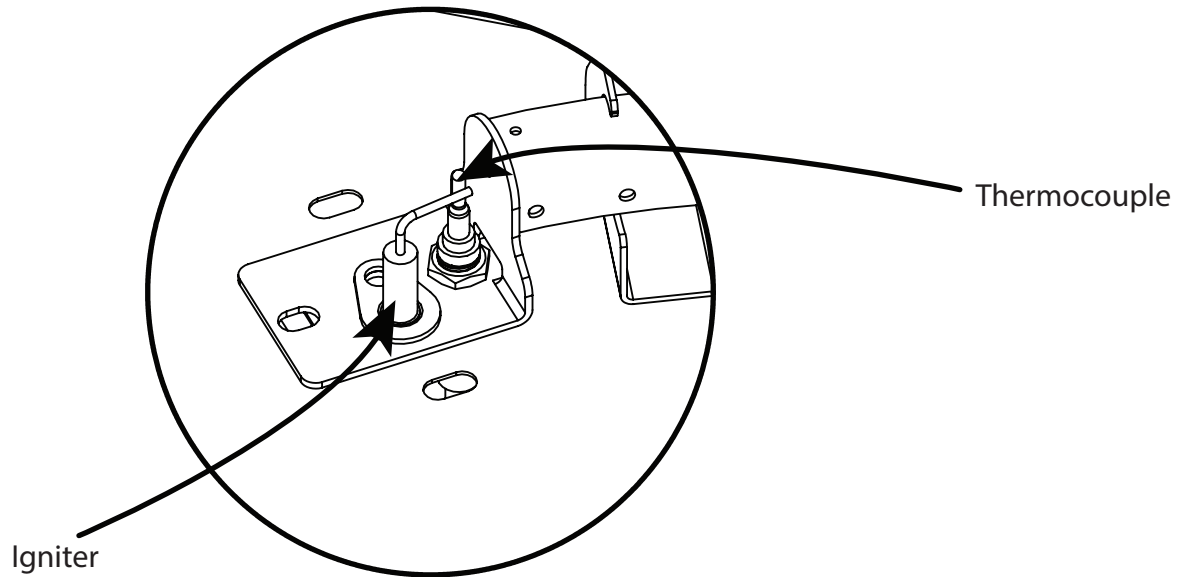


2. Make sure that the igniter housing is unobstructed.

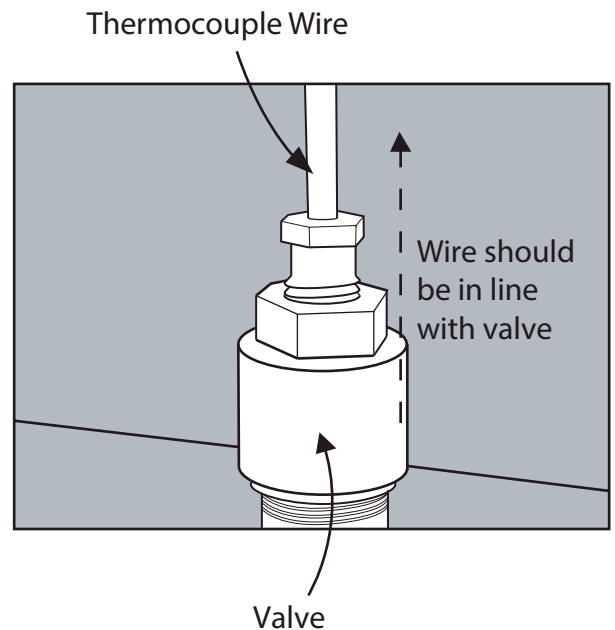
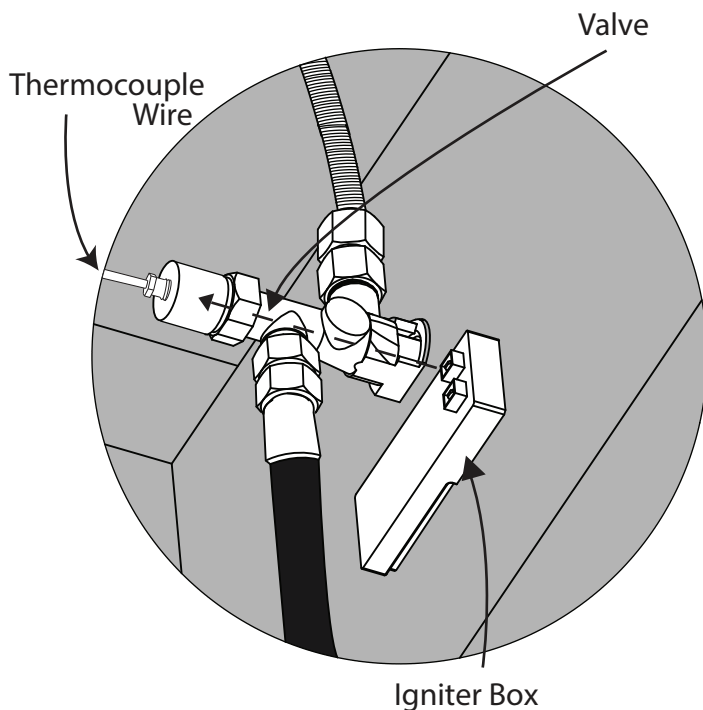
Clear any debris on top of the igniter housing and make sure there is no debris between the igniter pin, thermocouple and the burner tube.



GAS COMPONENT CONNECTION CHECKS



3. Make sure that the igniter pin and thermocouple are correctly positioned.
- The igniter pin should be pointed at the thermocouple.
 - The thermocouple should be positioned 5mm away from the burn tube.



4. Make sure that the thermocouple wire is correctly positioned. The thermocouple wire should be in line with the valve.

TROUBLESHOOTING

Problem: Burner will not light using igniter

Possible Cause 1: Electrode and burners are wet.

-Wipe dry with cloth.

Possible Cause 2: Igniter battery is dead or backwards.

-Check that the AAA battery is inserted correctly in the igniter (see page 9) or replace the battery.

Possible Cause 3: Igniter Pin cracked or broken - sparks at crack.

-Call Real Flame at 1-800-654-1704 for technical support.

Possible Cause 4: Wire loose or disconnected.

-Reference page 15, step 1, reconnect wire. Call Real Flame at 1-800-654-1704.

Possible Cause 5: Wire is shorting (sparking) between igniter and electrode.

-Call Real Flame at 1-800-654-1704 for support.

Possible Cause 6: Igniter Pin not pointing at thermocouple.

-Reference page 16, turn electrode to point at the thermocouple.

Possible Cause 7: Bad Igniter.

-Call Real Flame at 1-800-654-1704 for support.

Problem: Burner will not light with match

Possible Cause 1: No Gas Flow.

-Check if the LP gas tank is empty. If empty, replace and refill. If the propane tank is not empty, refer to “Problem: Sudden drop in gas flow” on the following page.

Possible Cause 2: Coupling nut and regulator not fully connected.

-Turn the coupling nut about one half to three fourths of a turn, until you feel a solid stop. Do not use tools, tighten by hand only.

Possible Cause 3: Obstruction of gas flow.

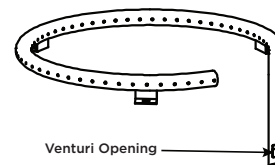
- Check for bent or kinked hose.

Possible Cause 4: Spider webs or insect nest in the Venturi.

- Clean the Venturi using compressed air.

Possible Cause 5: Burner ports clogged or blocked.

-Reference “Problem: Irregular flame pattern” on the following page. Clean the burner ports as described there.



Problem: The Fire Table emits a lot of black smoke when in use

Possible Cause 1: Hose from gas fire table is pinched.

-Make sure the hose is not pinched between the fire table and the source of the gas.

Possible Cause 2: Flame is being obstructed at burner ports.

-Make sure that the gas ports on the burner are free of any glass filler so that the flame can flow naturally.

For Technical Support Contact Real Flame at: 1-800-654-1704

TROUBLESHOOTING

Problem: Sudden drop in gas flow, or a reduced flame height

Possible Cause 1: Out of gas.

- Refill or exchange your LP tank.

Problem: Irregular flame pattern, flame does not run the full length of the burner

Possible Cause: Burner ports are clogged or blocked.

- Clean burner ports.

Do this by inserting a paperclip into each of the burner ports to ensure they are not clogged.

WARNING: Make sure burner is not on and the gas supply has been properly disconnected. Allow 15 minutes for unit to cool before touching it.

Problem: Flame blow out

Possible Cause 1: High or gusting winds.

- Do not use fire table.

Possible Cause 2: Low on LP gas.

- Replace or refill LP gas tank.

Possible Cause 3: Excess flow valve tripped.

- Refer to "Problem: Sudden drop in gas flow"

Problem: Flame seems to lose heat when burning in cold weather - temperature below 50°F

Possible Cause 1: Ice has built up on the outside of the LP gas tank because the vaporization process is too low.

- Turn the control knob and the LP gas tank to OFF. Replace with a spare LP gas tank and resume burning. Store the spare LP gas tank in a well ventilated area, away from children.

If these troubleshooting steps are unable to resolve the problem, please call Real Flame at: 1-800-654-1704

Warranty & Return Policies

Warranty

Real Flame® Company warrants Real Flame gas fireplaces and accessories to be free from defects in parts under normal use and service for a period of 1 year from the date of purchase and defective from finish issues for a period of 1 year from the date of purchase. In the event of such defects Real Flame will, at its option, replace the defective product or refund the purchase price. The foregoing is the exclusive remedy and Real Flame disclaims all other warranties, including any implied warranty of merchantability or fitness for a particular purpose. In addition, Real Flame will not be responsible for consequential damages in excess of the purchase price of the product on which such liability is based.

Return Policy

You may return your purchase within 90 days of receipt. No refunds will be issued for incomplete or unauthorized returns. All returned products must be 100% complete, adequately packaged in original packaging and in resalable condition. Products that have been assembled or modified will not be eligible for return. All items must be returned in their entirety, meaning all items included must be returned together. No returns or exchanges on discontinued items. Please begin the return process by contacting the store or company where you bought your Real Flame item.

Replacement Parts

In the event that an item has been lost or damaged, either by the manufacturer or in shipping, you may request a replacement. Replacement parts are not available for all units and only given at Real Flame's discretion. We will assess any damage and find a solution, which could include shipping you a replacement. No replacements are available for discontinued items or repackaged (open box) products. Please call Real Flame Customer Service at 800-654-1704 for replacement parts before returning the damaged item. Please have the following information (which can be found in your instruction manual) ready before you call Customer Service.

- Model Number of Item
- 4-8 digit Part Number
- Lot Code Number
- Shipping Address
- A picture of the damaged item may be requested. Pictures should be sent to custserv@realflame.com

Incorrect Order Received

If you received something other than what you ordered, please contact Real Flame Customer Service at 800-654-1704 within 48 hours of receiving the item.

Please refer to www.Realflame.com for our complete return guidelines and policies.

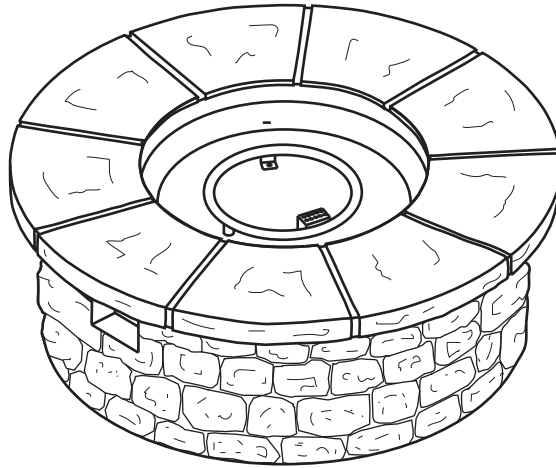
Real Flame®
7800 Northwestern Ave.
Racine, WI 53406

Customer Service: 1-800-654-1704 in USA
Service à la clientèle: 1-800-363-6443 in Canada
custserv@realflame.com



realflame®

fireplaces



C11810LP Sedona

Manuel d'utilisation de la table-foyer

! IMPORTANT
CONSERVER CES
INSTRUCTIONS

! AVERTISSEMENT

Pour un usage extérieur exclusivement.
NE PAS utiliser pour la cuisson. NE PAS
utiliser sous une enceinte couverte.



! AVERTISSEMENT

La négligence à suivre scrupuleusement les instructions contenues dans ce manuel peut provoquer un incendie ou une explosion occasionnant des dommages à la propriété, des blessures sérieuses et même la mort.

L'installation et l'entretien doivent être faits par un installateur qualifié, une compagnie d'entretien ou un fournisseur de gaz.

Une installation, une mise au point, une modification ou un entretien inappropriés peuvent occasionner des blessures ou des dommages à la propriété.

Lire attentivement les instructions concernant l'installation, l'utilisation et l'entretien avant d'installer ou d'utiliser l'appareil.

Garder ces instructions pour une consultation future. Si vous assemblez cet appareil pour quelqu'un d'autre, lui donner le manuel pour lecture et consultation futures.

! DANGER

Si vous percevez une odeur de gaz :

1. Couper l'alimentation en gaz de l'appareil.
2. Éteindre toute flamme nue.
3. Si l'odeur persiste, vous éloigner de l'appareil et appeler immédiatement votre fournisseur de gaz ou le service des incendies.

! AVERTISSEMENT

Ne pas entreposer ou utiliser d'essence, de vapeurs ou liquides inflammables à proximité de cet appareil ou de tout autre appareil.

Une bouteille de gaz PL non connectée et non utilisée ne devrait pas être entreposée à proximité de cet appareil ou de tout autre appareil.

Pour le support technique S'il vous plaît nous contacter: 1-800-654-1704

TABLE DES MATIÈRES

Instruction de sécurité importante	3
Avertissements et dangers du Propane (PL)	5
Remplacement et assemblage du boyau et du régulateur	7
Liste des pièces	8
Instructions pour l'assemblage	9
Instructions de pré-utilisation	12
Instructions pour l'allumage	13
Soins et entretien	14
Vérifications entourant le gaz	15
Dépannage	17
Garantie	19



DANGER

DANGER DE MONOXYDE DE CARBONE

Cet appareil peut produire du monoxyde de carbone, lequel est toujours inodore.

Utiliser cet appareil dans un endroit fermé peut causer la mort.

Ne jamais utiliser cet appareil dans un espace fermé comme une fourgonnette de camping, une tente, une voiture ou à l'intérieur de la maison.



INSTRUCTION DE SÉCURITÉ IMPORTANTE



AVERTISSEMENT

LA TABLE-FOYER EST CONÇUE EXCLUSIVEMENT POUR L'EXTÉRIEUR

SI VOUS PERCEVEZ UNE ODEUR DE GAZ

- Couper l'alimentation en gaz de la table-foyer.
- Éteindre toute flamme nue.
- N'allumer aucun appareil.
- Ne toucher aucun interrupteur électrique; n'utiliser aucun téléphone de l'immeuble.
- Appeler immédiatement un fournisseur de gaz d'un téléphone de votre voisinage.
- Suivre les instructions de votre fournisseur de gaz.
- Si vous ne pouvez parler à votre fournisseur de gaz, appeler le service des incendies.

- **AVERTISSEMENT** La négligence à suivre les avertissements de danger et de précautions de ce manuel peut occasionner des blessures corporelles sérieuses ou la mort ou provoquer un incendie ou une explosion occasionnant des dommages à la propriété.
- **AVIS IMPORTANT** Lire et comprendre tous les avertissements et toutes les précautions avant de procéder à l'assemblage et à l'utilisation de votre table-foyer au gaz. Une installation, une mise au point, une modification ou un entretien inappropriés peuvent occasionner des blessures et des dommages à la propriété.
- **Note** L'utilisation et l'installation de ce produit doivent être conformes aux règlements en vigueur dans votre région. En l'absence de règlements, utiliser les règlements nationaux régissant l'utilisation du gaz ANSI Z21.97. Se reporter aux codes d'installation du gaz naturel et du gaz propane (CSA B149.1) et à l'entreposage et la manipulation du propane (B149.2).
- **Dégagement minimum de l'unité des matériaux combustibles**
72" (182.9cm) du dessus; 48" (121.9 cm) de chacun des côtés et du derrière. Ne pas installer cette table-foyer sous une enceinte couverte.
- Cette table-foyer au gaz et sa soupape d'arrêt individuelle doivent être débranchées du système d'alimentation en gaz durant les tests de pression de ce système pour des tests de pressions au-delà de 1/2 psi (3.5 kPa). L'appareil doit être isolé du système d'alimentation en gaz en fermant manuellement sa soupape d'arrêt individuelle durant les tests de pression du système d'alimentation en gaz pour les tests équivalant à 1/2 psi (3.5 kPa) ou moins.
- Garder ces instructions pour une consultation future. Si vous assemblez cet appareil pour quelqu'un d'autre, lui donner le manuel pour une lecture et une consultation futures.
- Cette table-foyer au gaz est conçue pour un usage extérieur SEULEMENT, dans un endroit bien ventilé et ne doit PAS être utilisée dans un immeuble, un garage ou tout autre endroit fermé.
- NE PAS utiliser cette table-foyer extérieure pour chauffer à l'intérieur. Les vapeurs TOXIQUES de monoxyde de carbone peuvent s'accumuler et provoquer une asphyxie.
- NE JAMAIS LAISSER cette table-foyer au gaz sans surveillance lors de son usage.
- Les enfants devraient être prévenus des dangers de brûlures s'ils touchent les surfaces très chaudes et devraient être tenus à une distance sécuritaire du feu lorsque la table foyer est en usage.
- Ne pas entreposer ou utiliser d'essence, de liquides ou vapeurs inflammables à au moins 25 pieds (7,62 m) de cet appareil ou de tout autre appareil.
- Ne pas entreposer de matériaux combustibles dans l'enceinte de la base.
- L'utilisation d'alcool, de médicaments ou de drogues peut altérer les capacités d'un individu et l'empêcher de bien assembler ou d'utiliser de façon sécuritaire cette table-foyer extérieure

INSTRUCTION DE SÉCURITÉ IMPORTANTE

- NE PAS utiliser dans un environnement où des vapeurs inflammables peuvent s'accumuler. Mettre la table-foyer dans un endroit dégagé et libre de tous matériaux combustibles, d'essence, de liquides et de vapeurs inflammables.
- Cette table-foyer extérieure ne doit PAS être utilisée par des enfants. Les jeunes enfants devraient faire l'objet d'une surveillance constante lorsqu'ils sont à proximité de la table-foyer extérieure.
- Cette table-foyer extérieure ne doit pas être installée ou utilisée dans ou sur des véhicules récréatifs et /ou sur des bateaux.
- Toujours utiliser selon les règlements locaux, nationaux ou provinciaux en vigueur. Contacter le service des incendies de votre localité pour connaître les détails concernant les feux extérieurs.
- User avec cette table-foyer extérieure, des mêmes précautions que vous le feriez avec un feu extérieur.
- NE PAS brûler de combustibles solides tels que du bois, des briquettes de charbon, du charbon de bois en blocs, des bûches manufacturées, du bois de grève, des déchets, des feuilles, du papier, du contreplaqué, du bois traité peint ou teint dans cette table-foyer extérieure.
- NE PAS utiliser cette table-foyer extérieure avant qu'elle soit complètement assemblée et que toutes les pièces soient fixées et solidifiées de façon sécuritaire.
- NE PAS entreposer un autre réservoir de gaz à moins de 10 pieds (3,05 m) de cette table-foyer extérieure lorsqu'elle est en usage.
- NE PAS utiliser cette table-foyer extérieure près des voitures, des camions, des fourgonnettes ou des véhicules récréatifs.
- NE PAS utiliser cette table-foyer extérieure sous des abris couverts ou près de constructions combustibles non protégées. Éviter l'utilisation près ou sous les arbres et les arbustes.
- Toujours utiliser cette table-foyer extérieure sur une surface dure, de niveau et non combustible comme le béton, la roche ou la pierre. L'asphalte et les revêtements hydrocarbonés ne sont pas acceptables pour cet usage.
- NE PAS utiliser cette table-foyer extérieure si des parties sont sous l'eau. Appeler immédiatement un technicien qualifié pour inspecter la table-foyer et pour remplacer toute pièce ou système de commande et toute commande de gaz qui auraient été sous l'eau.
- NE PAS porter de vêtements inflammables ou amples lors de l'utilisation de cette table-foyer extérieure.
- NE PAS utiliser par temps venteux.
- Garder les rallonges électriques éloignées d'une table-foyer extérieure qui est chaude.
- Certaines parties de cette table-foyer extérieure deviennent trop chaudes pour être touchées lors de l'utilisation. Ne pas toucher les surfaces chaudes avant que l'appareil n'ait refroidi, à moins que vous n'utilisiez un dispositif de protection comme des gants isolés pour le four ou des poignées afin d'éviter des brûlures.
- NE PAS accrocher ou placer des vêtements ou matériaux inflammables sur ou près de la table-foyer au gaz.
- Toute protection ou tout autre dispositif de sécurité enlevé lors de l'entretien courant doit être replacé avant de réutiliser la table-foyer.
- NE PAS tenter de déplacer ou d'entreposer cette table-foyer extérieure avant que toutes les pièces n'aient refroidi.
- NE PAS vous pencher au-dessus de cette table-foyer lorsque le feu est allumé ou qu'elle est en usage.
- Utiliser seulement le régulateur et le tuyau fournis avec l'appareil. Le remplacement du régulateur et du tuyau ne devrait se faire que par ceux suggérés par le fabricant.
- NE PAS tenter de déconnecter le régulateur de gaz du réservoir ou tout autre raccord de gaz lorsque l'appareil est en usage.

INSTRUCTION DE SÉCURITÉ IMPORTANTE

- Toujours couper l'alimentation en gaz à partir de la soupape du réservoir et déconnecter le régulateur du réservoir quand la table-foyer n'est pas en usage.
- NE PAS vous asseoir sur le manteau lorsque l'appareil est en usage.
- NE PAS lancer d'objets sur le feu lorsque l'appareil est en usage.
- Les pierres de lave sont très chaudes; tenir les enfants et les animaux domestiques à une distance sécuritaire.
- Il est très important de garder le compartiment à soupape de la table-foyer extérieure, ses brûleurs et les passages de circulation d'air toujours propres. Inspecter votre table-foyer extérieure avant chaque usage.
- Avant chaque utilisation, vérifier le tuyau à l'affût d'abrasion excessive, d'usure en regardant à travers le trou d'inspection visuelle. Si le tuyau est endommagé, fissuré ou coupé, il doit être remplacé avant d'utiliser la table-foyer au gaz. L'ensemble de tuyaux ne peut être remplacé que par un ensemble recommandé par le fabricant. Contacter Real Flame au 1 800-654-1704.
- Avant chaque usage, retirer les pierres de lave. Examiner le brûleur et ses composantes. S'il y a des saletés, nettoyer avec une brosse douce et une solution d'eau savonneuse. Examiner ce qui entoure le brûleur, toutes saletés ou tous matériaux étrangers tels que des nids ou des toiles d'araignée devraient être enlevés. S'il y a évidence de dommage au brûleur, la table foyer ne devrait pas être utilisée. L'ensemble du brûleur ne peut être remplacé. Contacter Real Flame au 1 800-654-1704 pour un soutien technique.
- Garder le tuyau hors de la circulation afin que personne ne trébuche sur celui-ci. Ne pas placer le tuyau dans un endroit où il pourrait subir des dommages accidentels.

AVERTISSEMENT

Cette table de feu externe ne doit être utilisée qu'avec du gaz de pétrole liquéfié (LP). La conversion en Gaz Naturel (NG) doit être faite avec le kit de conversion Real Flame approuvé et doit être effectuée par un professionnel du gaz. Ne pas le faire peut entraîner des dommages matériels, des blessures ou la mort.

ATTENTION : Toute modification de la table-foyer extérieure qui n'est pas directement spécifiée dans le manuel d'instructions annulera la garantie du fabricant.

AVERTISSEMENTS CONCERNANT LE GAZ PL

GAZ PL

Le gaz PL est inflammable et dangereux s'il est manipulé de façon inappropriée. Soyez conscient de ses caractéristiques avant d'utiliser tout produit au gaz PL.

Caractéristiques du propane

- Inflammable, explosif sous pression, plus lourd que l'air, et s'accumule en basse surface.
- À son état naturel, le propane n'a pas d'odeur. Pour votre sécurité, un agent odorant y a été ajouté.
- Le contact avec le propane peut brûler votre peau.
- Le propane est extrêmement inflammable et dangereux s'il est manipulé de façon inappropriée.

AVERTISSEMENTS CONCERNANT LE GAZ PL

- Les bouteilles doivent être entreposées à l'extérieur dans un endroit bien ventilé et hors de portée des enfants.
- Les bouteilles déconnectées doivent avoir une soupape fileté et hermétiquement installée et ne devraient pas être entreposées dans une résidence, un garage ou tout autre endroit fermé.
- Ne jamais utiliser une bouteille de propane avec une soupape, un collet, une surface ou un socle endommagés.

AVERTISSEMENTS CONCERNANT LE GAZ PL

- Les bouteilles de propane bosselées ou rouillées peuvent être dangereuses et devraient être vérifiées par votre fournisseur de gaz propane.
- Vous assurer d'utiliser, avec votre appareil, uniquement une bouteille de gaz PL de 20 lb (9,1 kg) avec une valve de Type 1 tel que requis par l'American National Standards Institute (ANSI) et par le Canadian Standards Steering Committee.
- Seulement les réservoirs marqués « propane » peuvent être utilisés.
- Le réservoir d'alimentation de gaz PL doit être construit et marqué en conformité aux spécifications pour le gaz PL, des réservoirs de gaz PL du U.S. Department of Transportation (DOT) ou du National Standard of Canada, CAN/CSA-B339, LP gas tanks, Spheres and Tubes for the Transportation of Dangerous Goods; and Commission.
- Le réservoir de gaz PL doit être muni d'une sortie de vapeur.
- Le réservoir de gaz PL doit être muni d'un dispositif de trop-plein (OPD) enregistré et d'un QCCI ou d'un raccord de réservoir pour gaz PL de Type 1 (CGA810).
- Le réservoir de gaz PL doit être muni d'un collier d'évent pour protéger la soupape du réservoir.
- La bouteille de gaz PL doit être munie d'une soupape d'arrêt tel qu'il est spécifié dans le Standard for Compressed Gas Cylinder Valve Outlet and Inlet Connection, ANSI/CGA-V-1-1977, CSA B96.
- Ne jamais utiliser un réservoir de gaz PL avec une soupape, un collet, une surface ou un socle endommagés. Les réservoirs de propane bosselés ou rouillés peuvent être dangereux et devraient être vérifiés par votre fournisseur de gaz propane avant d'être utilisés.
- Les réservoirs de gaz PL ne devraient pas faire l'objet de chute ou être soumis à des chocs brusques.
- Les réservoirs doivent être entreposés à l'extérieur hors de la portée des enfants. Ne PAS entreposer dans un immeuble, un garage ou tout autre endroit fermé.
- Ne jamais entreposer votre réservoir de gaz PL où la température peut atteindre au-delà de 125 °F (51,67 °C).
- Ne pas entreposer une bouteille de gaz PL au soleil direct ou près d'une source de chaleur ou de combustion.
- Ne jamais garder un réservoir plein de gaz PL dans une voiture exposée à la chaleur ou dans le coffre d'une voiture. La chaleur fera augmenter la pression du gaz qui pourrait ouvrir la soupape de surpression et laisser le gaz s'échapper.
- Mettre un bouchon protecteur sur le conduit d'évacuation quand le réservoir de gaz PL n'est pas en usage. Installer seulement le type de bouchon protecteur sur le conduit d'évacuation du réservoir de gaz PL qui est fourni avec la soupape du réservoir à gaz PL. Les autres types de bouchons ou de capuchons peuvent occasionner des fuites de propane.
 - a. Ne pas entreposer une bouteille de gaz PL de rechange sous ou près de l'appareil.
 - b. Ne jamais remplir une bouteille de gaz PL au-delà de 80 %.
 - c. Si les informations contenues dans a. et b. ne sont pas suivies scrupuleusement, cette négligence peut occasionner un incendie causant la mort ou des blessures sérieuses.
- Les bouteilles de gaz PL ne devraient être remplies que par un fournisseur de gaz PL accrédité.
- Le régulateur de pression est réglé à 11 pouces (27,94 cm) de colonne d'eau (pression).
- Le maximum de pression de gaz pour cette table-foyer extérieure est de 14 pouces (35,56 cm) de colonne d'eau (pression).
- Ne jamais tenter de fixer cet appareil au système autonome de gaz PL d'une fourgonnette de camping, d'une autocaravane ou d'une maison.
- Toujours utiliser l'assemblage de régulateur de pression et de tuyau inclus avec l'appareil pour raccorder la bouteille de gaz PL. Ne jamais connecter à une alimentation en gaz PL non conforme. Pour une assistance technique, contacter Real Flame au 1 800-654-1704.
- Tourner à la main la soupape de contrôle du gaz. Ne jamais utiliser d'outils. Si la soupape ne tourne pas à la main, ne pas tenter de la réparer. Contacter un technicien de gaz accrédité. L'usage de la force ou toute autre tentative de réparation par vous-même peuvent produire un incendie ou une explosion.

AVERTISSEMENTS CONCERNANT LE GAZ PL

Brancher votre bouteille de gaz

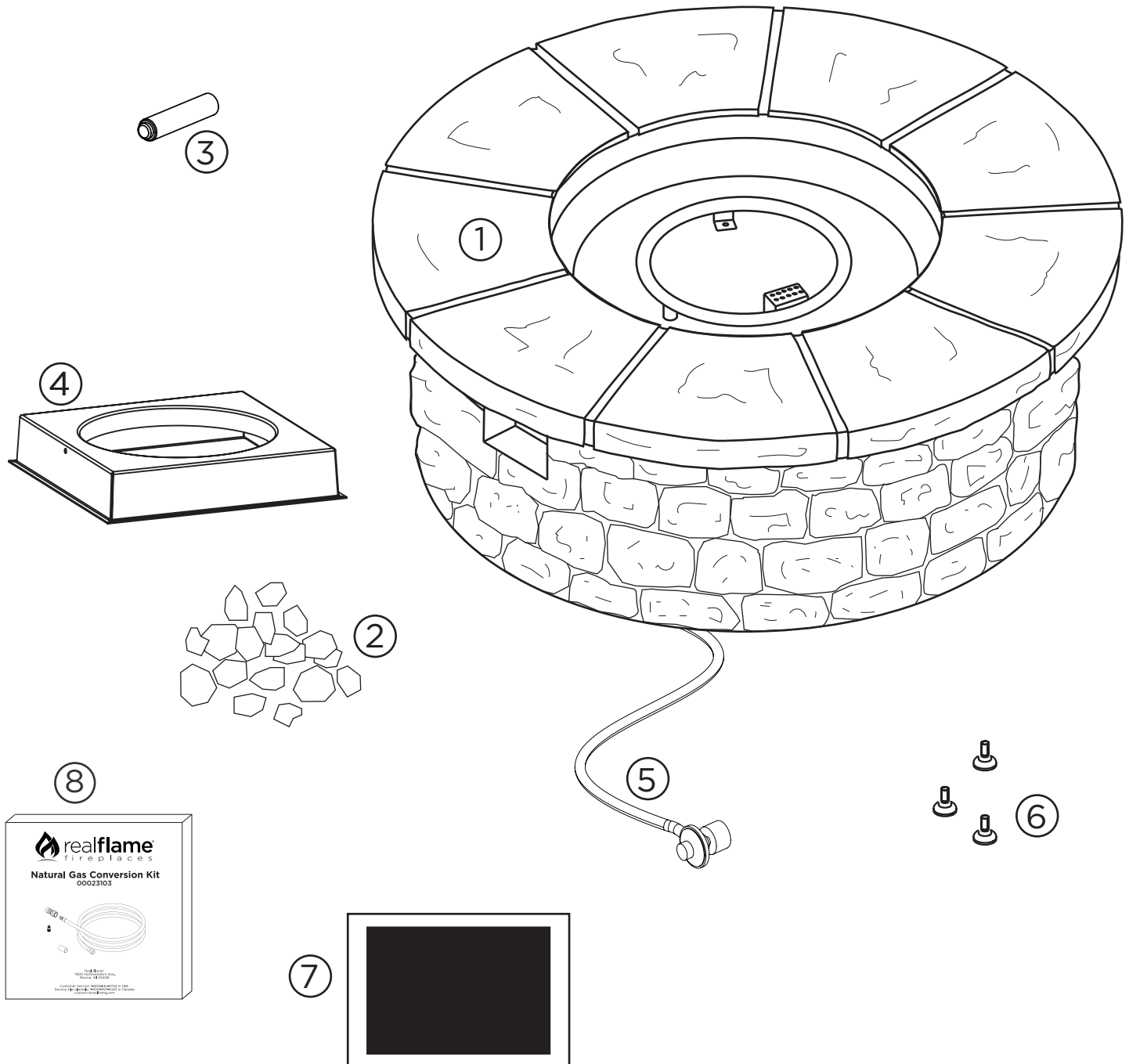
Avant de brancher la bouteille, vous assurer de l'absence de débris dans la tête de la bouteille de gaz, dans la tête de la soupape de régulation ou dans la tête du brûleur ou sur les orifices du brûleur. Brancher la soupape de régulation et serrer fermement à la main. Débrancher la bouteille de propane de la soupape de régulation quand la table-foyer n'est pas en usage. NE PAS obstruer la circulation de la combustion de l'air et de la ventilation autour du brûleur.

REPLACEMENT ET ASSEMBLAGE DU TUYAU ET DU RÉGULATEUR

- 1.** Ce foyer est équipé d'un tuyau et d'un régulateur de gaz PL standard incluant le raccord latéral de l'appareil pour un dispositif de raccord de bouteille CGA No 791. Vous devez utiliser le tuyau et le régulateur de gaz PL inclus avec la table-foyer. Seuls un tuyau et un régulateur recommandés peuvent être utilisés comme remplacement.
 - a.** Le raccord CGA No 791 renferme un dispositif de limitation électromagnétique qui agit en limitant le débit de gaz si une fuite est détectée entre le régulateur et la soupape du brûleur.
 - b.** Si la soupape du brûleur est ouverte avant le clapet de service de la bouteille de gaz PL, le raccord interprètera ce débit libre de gaz comme une fuite.
 - c.** L'objectif du raccord de sécurité est de réduire le débit de gaz du régulateur vers l'appareil à un niveau minimal.
 - d.** Vous assurer que la soupape de contrôle du brûleur est fermée avant d'ouvrir le clapet de service de la bouteille de gaz PL ce qui empêchera le déclenchement accidentel du dispositif de limitation de débit.
 - e.** Si le raccord du dispositif de limitation de débit est déclenché accidentellement, fermer le clapet de service de la bouteille de gaz PL et la soupape du brûleur, attendre 10 secondes pour permettre au dispositif de redémarrer, ouvrir le clapet de service de la bouteille, ensuite ouvrir la soupape du brûleur et allumer le foyer selon les instructions d'allumage.
- 2.** Vous assurer de protéger le tuyau de toutes surfaces chaudes. Il est très dangereux de mettre le tuyau en contact avec des surfaces chaudes.
- 3.** Entretien régulier du tuyau et du régulateur:
 - a.** Inspecter le tuyau avant chaque utilisation de la table-foyer. Si le tuyau montre des signes d'abrasion, de craquelures, de fissures ou de dommages de quelques sortes, ne pas utiliser l'appareil. Pour toute assistance concernant la réparation ou le remplacement du tuyau, contacter Real Flame au 1 800-654-1704. Utiliser uniquement les pièces de remplacement proposées par le fabricant.
 - b.** Inspecter le sceau à l'intérieur du clapet de service CGA No 791 de la bouteille de gaz PL lors du remplacement ou au moins une fois par année. S'il y a évidence de dommage, faire remplacer le sceau par un fournisseur de gaz accrédité avant d'utiliser l'appareil.
- 4.** Ne pas utiliser d'outil pour resserrer l'écrou de raccord du CGA No 791 sur le clapet de service de la bouteille de gaz PL. Resserrer à la main seulement.
- 5.** Vous assurer de ne pas croiser les fils sur le raccord en resserrant le raccord CGA No 791 sur le clapet de service de la bouteille de gaz PL.
- 6.** Des « essais d'étanchéité » devraient toujours être faits après avoir fixé le raccord au clapet de service de la bouteille gaz PL. (voir la partie « Vérification des fuites » de ce manuel à la page 12).
- 7.** Pour ce qui concerne le raccord du tuyau et du régulateur au réservoir PL, vous reporter à la partie ci-haut « Raccord » traitant de la bouteille de gaz PL.

LISTE DES PIÈCES

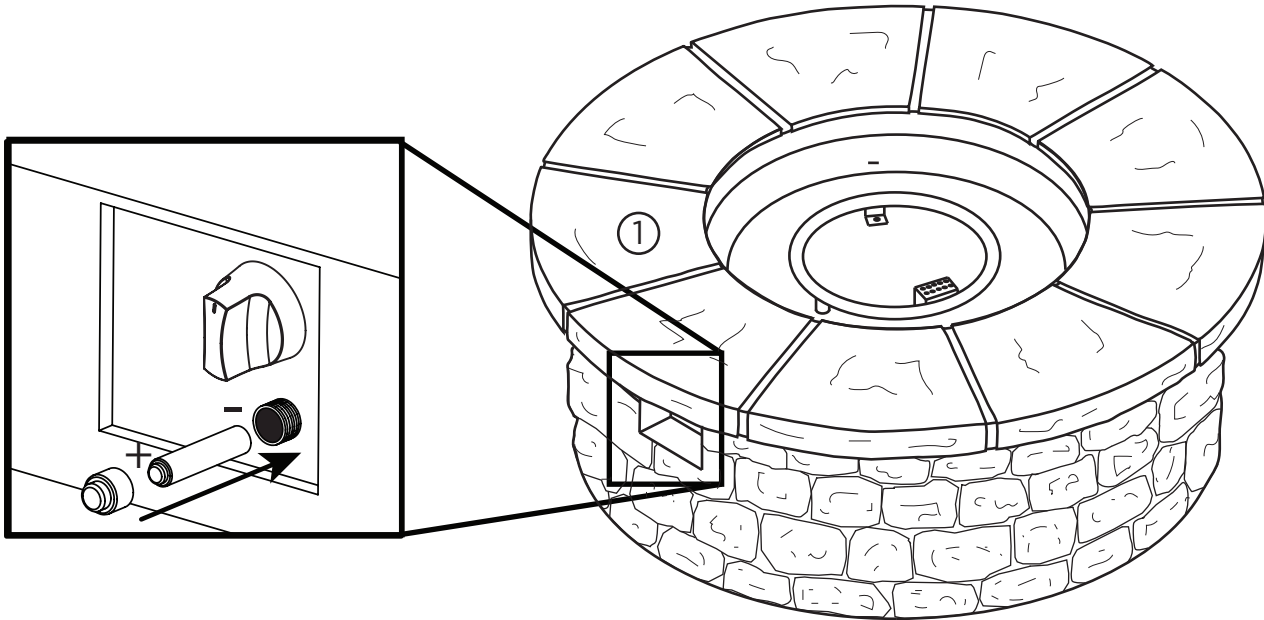
①	Table-foyer	N/A	1	⑤	Régulateur et tuyau du gaz PL	100190000	1
②	Pierre de lave	118137100	1	⑥	Pieds	06000003	3
③	La batterie	N/A	1	⑦	Couvercle de protection	118100007	1
④	Assise du réservoir	100260000	1	⑧	Kit de conversion NG	00023109S	1



INSTRUCTIONS D'ASSEMBLAGE

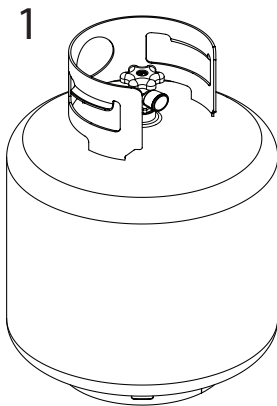
1

Installer la pile AAA (voir le diagramme ici-bas).

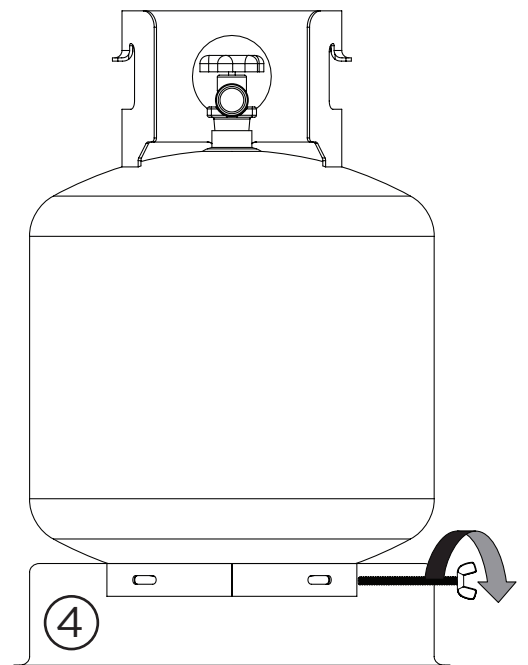


2

1. Mettre l'assise du réservoir sur le sol et placer un réservoir de propane de 20 lb (9,07 kg) dans l'assise du réservoir.
2. Resserrer la vis sur le côté de l'assise du réservoir pour bien fixer le réservoir de propane.



2



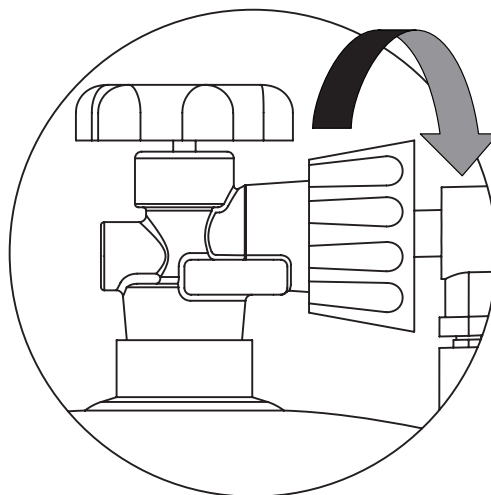
INSTRUCTIONS D'ASSEMBLAGE

3

Raccord du réservoir de gaz PL

Vous assurer de l'absence de débris dans la tête du réservoir ou dans la tête de la soupape de régulation. Bien vérifier le brûleur ainsi que les orifices du brûleur.

Raccorder la conduite de gaz au réservoir en tournant le bouton dans le sens des aiguilles d'une montre. Resserrer à la main seulement.

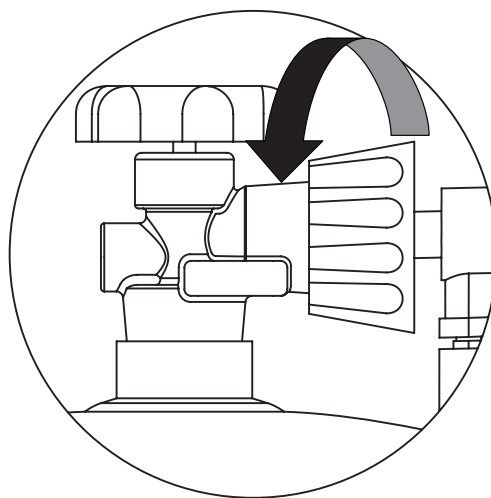


Raccord du réservoir de gaz PL

4

Vous assurer que la soupape sur le réservoir de gaz PL est FERMÉE.

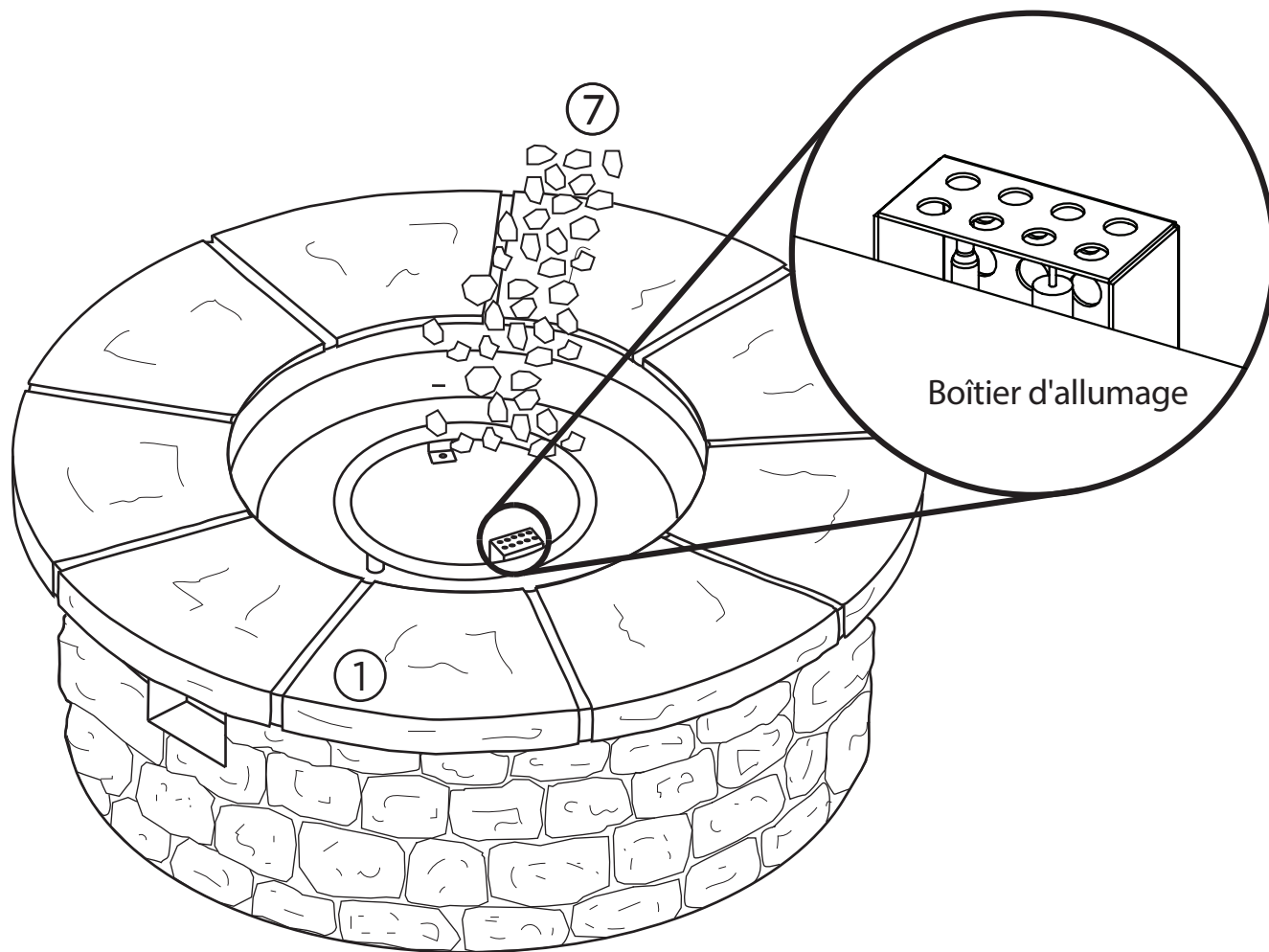
Débrancher en tournant le bouton dans le sens contraire des aiguilles d'une montre jusqu'à ce qu'il se détache de la soupape.



INSTRUCTIONS D'ASSEMBLAGE

5

Étendre la pierre de lave à la main. NE PAS vider le sac sur la grille afin d'éviter de boucher le brûleur avec de la poussière. Mettre la pierre de lave jusqu'à 1 pouce (2,54 cm) au-dessus de la partie supérieure du brûleur. Vous assurer de ne pas bloquer la boîte d'allumage avec la pierre de lave afin d'avoir un bon allumage.



NOTE

Des matériaux de remplissage supplémentaires tels que le verre ou la pierre ponce peuvent être achetés via Real Flame. Contactez Real Flame pour connaître les prix et les options.

Roche de lave et alerte de rechange:

1. Ne remplissez pas trop la zone du brûleur avec de la roche ou du verre d'obturation. La profondeur de la garniture ne doit pas être supérieure à un pouce au-dessus du tube du brûleur. Seuls les produits du remplisseur de Real Flame ont été certifiés et testés par la CSA pour une utilisation sûre avec cette table de feu à flamme réelle; N'utilisez pas d'autres matériaux de remplissage.
2. Ne pas allumer ou utiliser cette table de feu si le remplisseur est mouillé. Assurez-vous que le remplisseur est complètement sec avant l'allumage. Une chaleur intense peut provoquer l'explosion du remplisseur humide et blesser quelqu'un.
3. Veuillez garder à l'écart de la table de feu pendant au moins 20 minutes lors de la mise en marche initiale, car la charge peut retenir un peu d'humidité de la fabrication et de l'expédition.

AVERTISSEMENT Avant d'utiliser la table-foyer extérieure, vous assurer d'avoir lu, compris et suivi toutes les informations fournies dans la partie « Importante information de sécurité » de ce manuel. La négligence à suivre ces instructions peut occasionner des blessures sérieuses, des dommages à la propriété et même la mort.

Avant chaque utilisation du foyer au gaz, vérifier le tuyau et la soupape par l'ouverture d'inspection visuelle sur le côté de la base afin de détecter une abrasion ou une usure excessive.

RACCORDS DU BRÛLEUR

Vous assurer que les raccords de la soupape de régulation et du tuyau sont fixés de façon sécuritaire au brûleur et au réservoir. Si l'appareil a été assemblé par quelqu'un d'autre que vous, vérifier visuellement le raccord entre le tuyau du brûleur et l'orifice. Vous assurer que le tuyau du brûleur s'ajuste parfaitement par-dessus l'orifice.

AVERTISSEMENT La négligence à inspecter ce raccord ou à suivre ces instructions peut occasionner un incendie ou une explosion causant des blessures sérieuses et même la mort.

Veillez vous reporter au diagramme pour une bonne installation. Si le tuyau du brûleur ne s'ajuste pas parfaitement à l'orifice, contacter le service à la clientèle de Real Flame 1 800-654-1704 pour assistance.

VÉRIFICATION DES FUITES

Faire une solution pour détection de fuite en mélangeant 1 partie de savon à vaisselle à 3 parties d'eau dans un flacon de pulvérisation.

Vous assurer que le bouton de contrôle est en position « OFF ». Ensuite, tourner la soupape du réservoir à gaz PL en position « ON ».

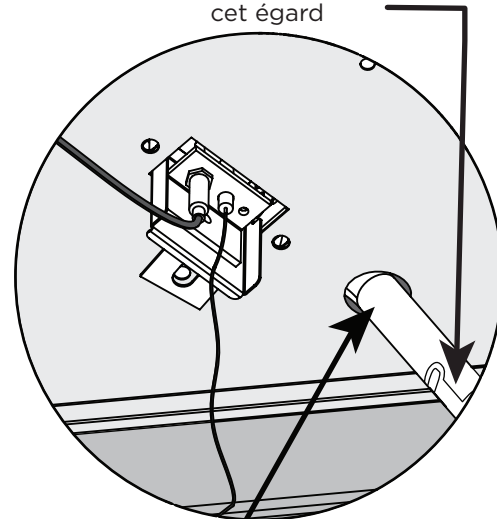
Vaporiser la solution de détection de fuite sur les raccords de la soupape en portant une attention particulière aux endroits marqués par des flèches.

Si des bulles apparaissent, REFERMER le réservoir de gaz PL, raccorder de nouveau et refaire le test. Si vous voyez toujours des bulles après plusieurs tentatives, débrancher l'alimentation en gaz PL et contacter Real Flame au 1 800-654-1704 pour assistance.

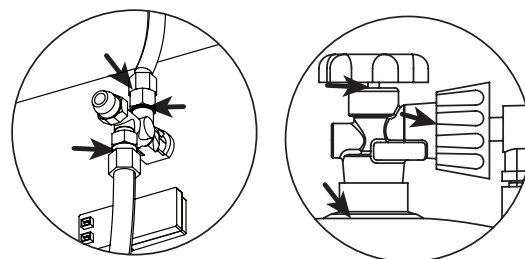
Si aucune bulle n'apparaît après une minute, REFERMER le réservoir, essayer la solution savonneuse et poursuivre la mise en marche.

Retirer le couvercle pour inspecter

Orifice est situé à cet égard



Tuyau du brûleur

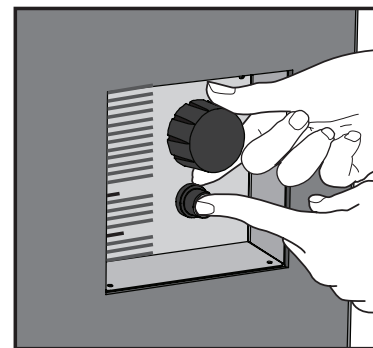


Vérifier les fuites à ces endroits précis

INSTRUCTIONS D'ALLUMAGE

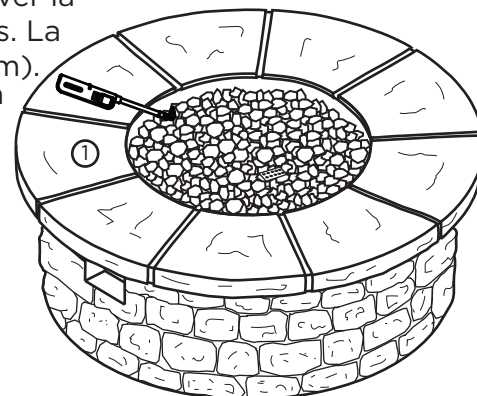
Utilisant l'allumeur

1. Lire et comprendre toutes les instructions de la mise en marche avant l'allumage. Vous assurer que toutes les pellicules protectrices ont été enlevées autour du plateau du brûleur en inox avant l'allumage.
2. Le bouton de contrôle du brûleur doit être en position « OFF ».
3. Raccorder la bouteille de propane (PL) (voir les pages précédentes).
4. Ouvrir lentement la soupape de la bouteille de gaz PL.
5. Pousser et retenir le bouton d'allumage pour produire des étincelles.
6. Tout en tenant le bouton d'allumage d'une main, avec l'autre main, pousser et tourner le bouton de contrôle en position « LIGHT » pour allumer le brûleur.
7. Continuer la pression sur le bouton de contrôle du brûleur durant 15 à 30 secondes après l'ignition.
8. Si l'allumage ne se produit pas après 30 secondes, mettre le bouton de contrôle en position « OFF » et fermer complètement la source d'alimentation en gaz, attendre 5 minutes pour que les vapeurs de gaz se soient évaporées et répéter la procédure d'allumage.
9. Après l'allumage, tourner le bouton de contrôle du brûleur dans le sens contraire des aiguilles d'une montre à la position « LOW ». Observer la flamme, vous assurer que tous les orifices du brûleur sont allumés. La hauteur des flammes ne devrait pas dépasser 13 pouces (33,02 cm).
10. Ajuster la flamme à la hauteur désirée en vous servant du bouton de contrôle.



Utilisation d'une longue allumette ou d'un briquet

1. Avant l'allumage, avec une pelle, déplacer les pierres de lave pour avoir accès au brûleur.
2. Avec des gants de protection, mettre la longue allumette ou le briquet au butane à côté du brûleur. NE PAS vous pencher au dessus de la table-foyer lors de l'allumage.
3. Tourner le bouton de contrôle dans le sens contraire des aiguilles d'une montre à « LIGHT »
4. Retirer la longue allumette ou le briquet à manche allongé.
5. Après l'allumage, en portant des gants de protection, utiliser une pelle pour replacer doucement les pierres de lave à leur position initiale et replacer le panneau de verre.
6. Après l'allumage, tourner le bouton de contrôle du brûleur dans le sens contraire des aiguilles d'une montre à la position « LOW ». Observer la flamme, vous assurer que tous les orifices du brûleur sont allumés. La hauteur de la flamme ne devrait pas dépasser 13 pouces (33,02 cm).
7. Ajuster la flamme à la hauteur désirée en vous servant du bouton de contrôle.



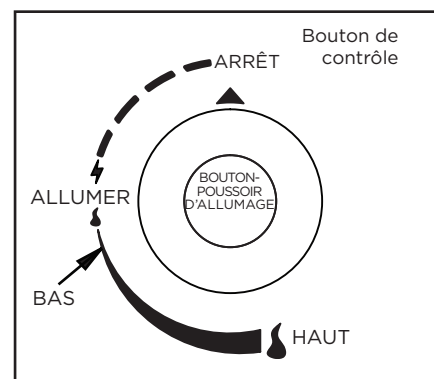
AVERTISSEMENT

En allumant votre table-foyer selon cette méthode, vous devez utiliser des gants de protection résistants à la chaleur et suivre les instructions étape par étape. La négligence pourrait conduire à des blessures sérieuses.

AVERTISSEMENT

Si la flamme du brûleur s'éteint durant cette procédure, mettre immédiatement le bouton de contrôle en position « OFF » et laisser les vapeurs de gaz s'évaporer pendant au moins 5 minutes avant de tenter de rallumer la table-foyer.

Pour du soutien additionnel, vous reporter aux pages traitant du dépannage à la page 17.



ENTRETIEN ET NETTOYAGE

Inspection

Cette table de feu externe doit être inspectée régulièrement pour s'assurer que l'utilisation du produit est sans danger et pour prolonger la vie du produit.

⚠ AVERTISSEMENT NE PAS inspecter cette table feu externe jusqu'à ce que le feu soit complètement éteint.

1. Assurez-vous que toutes les pièces sont solidement fixées en place. Si une pièce se déplace lorsqu'elle est touchée, vérifiez ses points de connexion pour voir s'ils sont perdus.
2. Vérifiez toutes les connexions de gaz pour les fuites.
3. Contrôlez le système d'allumage pour assurer une bonne étincelle.
4. Vérifiez si les composants présentent des signes de dommages, de rouille ou d'usure excessive.
5. Si des dommages à un composant sont détectés, NE PAS faire fonctionner jusqu'à ce que les réparations appropriées aient été effectuées.

⚠ AVERTISSEMENT NE PAS manipuler cet appareil. Ceci est DANGEREUX et annulera la garantie. Toute pièce jugée défectueuse doit être remplacée par une pièce approuvée, confirmée par le fabricant. Pour obtenir de l'aide technique, communiquez avec Real Flame au: 1-800-654-1704.

Entretien et Nettoyage Généraux

1. Cette table de feu externe doit être nettoyée régulièrement pour assurer une utilisation sûre et prolonger la durée de vie du produit. REMARQUE: Après une utilisation répétée, une légère décoloration de la finition peut se produire.

⚠ AVERTISSEMENT NE PAS tenter de nettoyer cette table de feu à l'extérieur sauf si le feu est complètement éteint et l'appareil est froid au toucher.
N'UTILISEZ PAS de nettoyant pour four ou abrasif, car ils pourraient endommager ce produit.
N'UTILISEZ PAS DE SOLVANTS dans des endroits fermés ou fumant.

Table

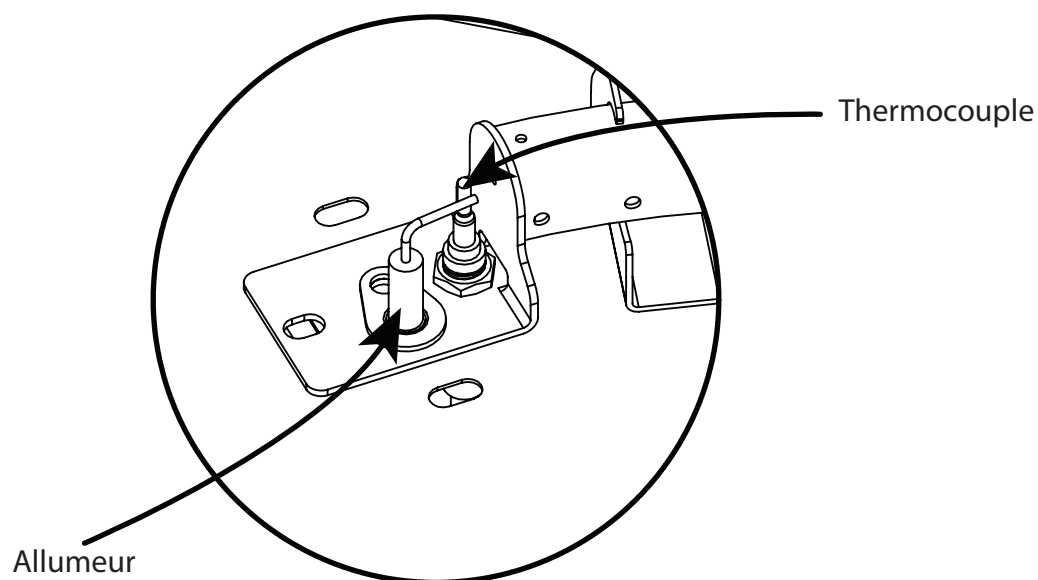
1. Essuyer les surfaces extérieures avec un savon à vaisselle doux, puis rincer à l'eau.

Stockage:

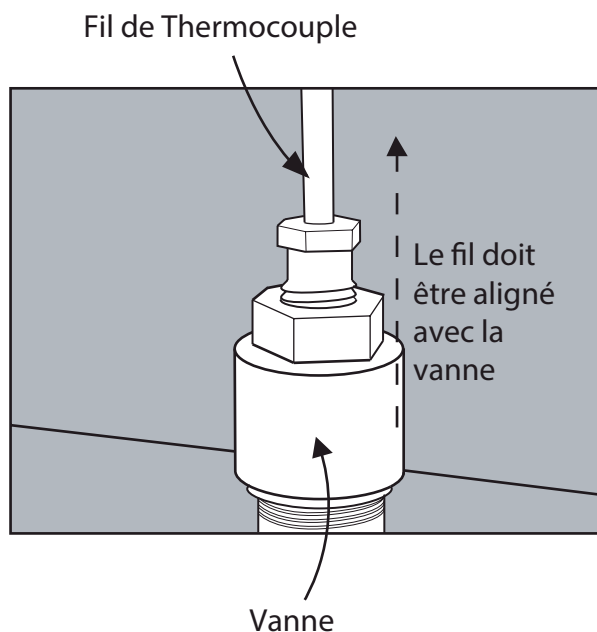
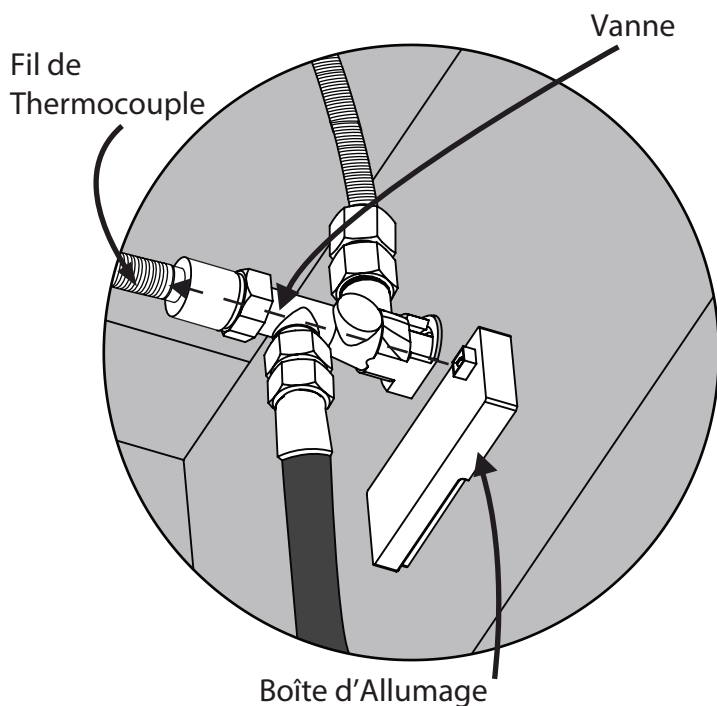
⚠ AVERTISSEMENT NE PAS déplacer ni stocker cette table de feu sauf si le feu est complètement éteint et est frais au toucher.

1. Éteignez le gaz à la connexion du réservoir. Retirez le réservoir et rangez le dans un endroit frais et sec à l'extérieur, loin des enfants.
2. Retirez soigneusement la charge et rangez les composants à plat pour les protéger des fractures.
3. TOUJOURS couvrir votre table de feu externe quand elle n'est pas utilisée. Le couvercle protégera les composants mécaniques de la saleté et des débris, empêchera à l'eau de faire des flaques sur la surface de la table de feu et empêche aux craquellements et la décoloration de la finition.
4. Entreposer dans un endroit frais et sec, loin des enfants et des animaux domestiques.

VÉRIFICATION DES COMPOSANTES DU RACCORD EN GAZ

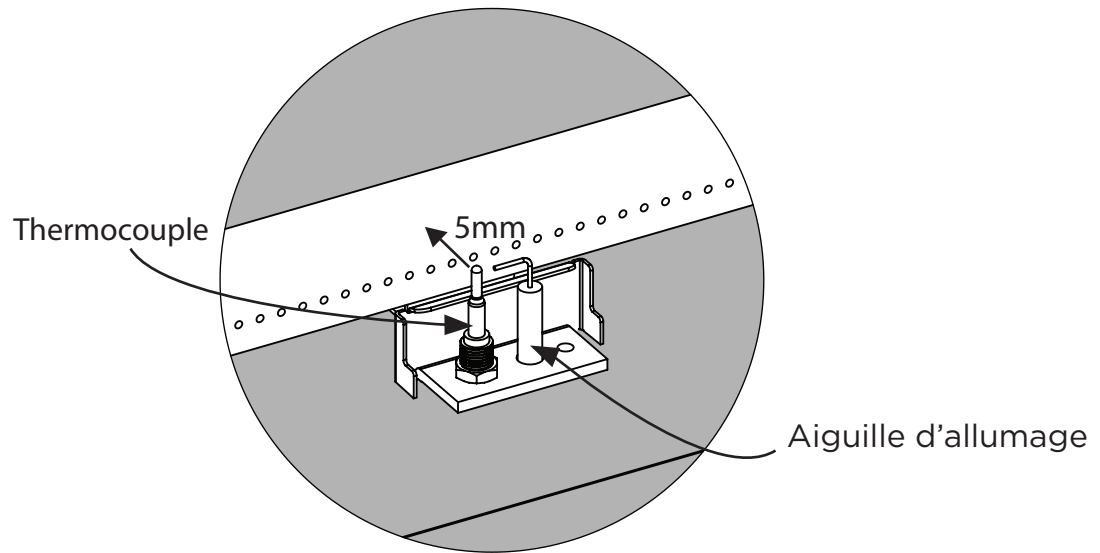


3. Assurez-vous que la goupille d'allumage et le thermocouple sont correctement positionnés.
- La goupille d'allumage doit être dirigée vers le thermocouple.
 - Le thermocouple doit être placé à 5 mm du tube de combustion.

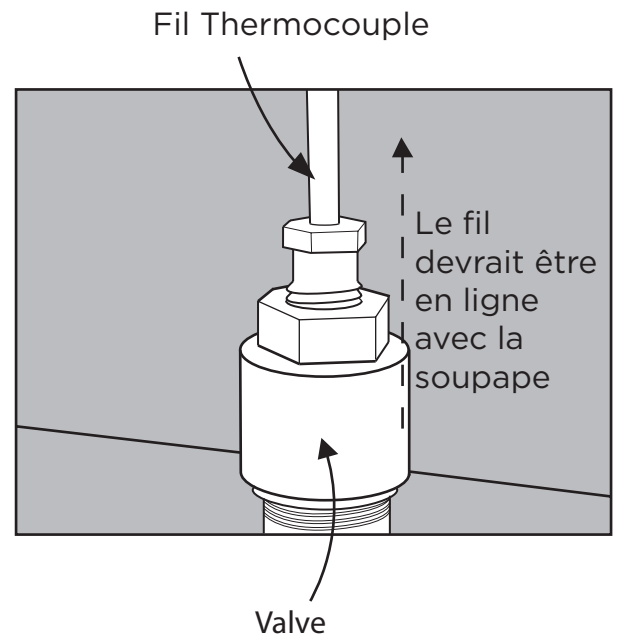
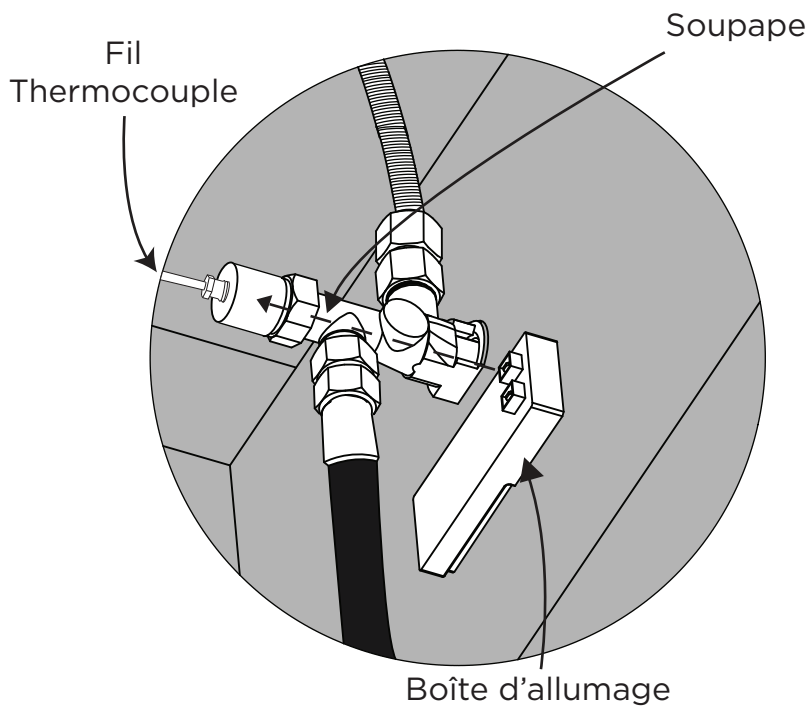


4. Assurez-vous que le fil du thermocouple est correctement positionné. Le fil du thermocouple doit être aligné avec la vanne.

VÉRIFICATION DES COMPOSANTES DU RACCORD EN GAZ



3. Vous assurer que l'aiguille d'allumage et le thermocouple sont correctement positionnés.
- L'aiguille d'allumage devrait pointer directement vers le thermocouple.
 - Le thermocouple devrait se situer à 5 mm de distance du tuyau du brûleur.



4. Assurez-vous que le fil du thermocouple est correctement positionné. Le fil de thermocouple devrait être en ligne avec la valve.

DÉPANNAGE

Problème: Le brûleur ne s'allume pas à l'aide d'un allumeur

Cause Possible 1: Les électrodes et les brûleurs sont mouillés.

- Séchez à l'aide d'un chiffon.

Cause Possible 2: La batterie de l'allumeur est morte ou dans le mauvais sens.

- Vérifiez que la pile AAA est insérée correctement dans l'allumeur (voir page 9) ou remplacez la pile.

Cause Possible 3: Goupille d'allumage fissurée ou cassée - étincelles à la fissure.

- Veuillez contacter Real Flame au 1-800-654-1704 pour obtenir de l'aide technique.

Cause Possible 4: Câble desserré ou déconnecté.

- Page 15 pour référence, étape 1, reconnectez le fil. Veuillez appeler Real Flame au 1-800-654-1704.

Cause Possible 5: Fil court-circuitant (étincelles) entre l'allumeur et l'électrode.

- Veuillez contacter Real Flame au 1-800-654-1704 pour obtenir de l'aide.

Cause Possible 6: La Goupille d'allumage ne pointe pas vers le thermocouple.

- Reportez-vous à la page 16, tournez l'électrode pour pointer le thermocouple.

Cause Possible 7: Mauvais Allumeur.

- Veuillez contacter Real Flame au 1-800-654-1704 pour obtenir de l'aide.

Problème: Le brûleur ne s'allume pas avec l'allumette

Cause Possible 1: Pas de débit de gaz.

- Vérifiez si le réservoir de gaz LP est vide. S'il est vide, remplacez et remplissez. Si le réservoir de propane n'est pas vide, voir "Problème: Chute soudaine du débit de gaz" à la page suivante.

Cause Possible 2: L'écrou d'accouplement et le régulateur ne sont pas complètement raccordés.

- Tournez l'écrou d'accouplement d'environ un demi-trois quarts de tour, jusqu'à ce que vous sentiez un arrêt solide. N'utilisez pas les outils, serrez seulement à la main.

Cause Possible 3: Obstruction du flux de gaz.

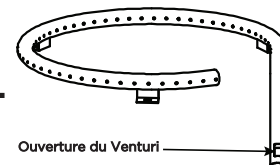
- Vérifiez que le tuyau est plié ou plié.

Cause Possible 4: Des tissus d'araignée ou des insectes nichent dans le venturi.

- Nettoyer le Venturi à l'air comprimé.

Cause Possible 5: Les ports du brûleur sont obstrués ou bloqués.

- Reference "Problème: Modèle de flamme irrégulière" à la page suivante. Nettoyez les ports du brûleur comme décrit dans ce manuel.



Problème: La table de feu émet beaucoup de fumée noire lorsqu'elle est utilisée

Cause Possible 1: Le tuyau de la table de feu est pincé.

- Assurez-vous que le tuyau n'est pas pincé entre la table de feu et la source du gaz.

Cause Possible 2: La flamme est obstruée aux ports du brûleur.

- Veillez à ce que les orifices de gaz du brûleur ne contiennent aucun verre d'obturation pour que la flamme puisse circuler naturellement.

Pour obtenir de l'aide technique, contactez Real Flame au: 1-800-654-1704

DÉPANNAGE

Problem: Sudden drop in gas flow, or a reduced flame height

Cause Possible 1: Pas de gaz.

- Remplissez ou échangez votre réservoir de PL.

Problème: Si la flamme est irrégulière, la flamme ne tourne pas sur toute la longueur du brûleur

Cause Possible : Les ports du brûleur sont obstrués ou bloqués.

- Nettoyez les ports du brûleur.

Pour ce faire, insérez un trombone dans chacun des ports du brûleur pour vous assurer qu'ils ne sont pas bouchés.

AVERTISSEMENT: Assurez-vous que le brûleur n'est pas allumé et que l'alimentation en gaz a été correctement déconnectée. Laissez refroidir 15 minutes avant de le toucher.

Problème: Flamme Soufflée

Cause Possible 1: Vents forts et rafales.

- Ne pas utiliser de table de feu.

Cause Possible 2: Faible en gaz LP.

- Remplacez ou remplissez le réservoir de gaz LP.

Cause Possible 3: Déclenchement du robinet de débit excessif.

- Voir "Problème: Chute soudaine du débit de gaz "

Problème: La flamme semble perdre de la chaleur lorsqu'elle brûle par temps froid - température inférieure à 50°F

Cause Possible 1: La glace s'est accumulée à l'extérieur du réservoir de gaz LP parce que le processus de vaporisation est trop faible.

- Tournez le bouton de commande et le réservoir de gaz LP à DESACTIVÉ. Remplacez avec un réservoir de gaz LP de réserve et reprenez la combustion. Rangez le réservoir de gaz LP de rechange dans un endroit bien ventilé, loin des enfants.

Si ces étapes de dépannage ne parviennent pas à résoudre le problème, appelez Real Flame au: 1-800-654-1704

GARANTIE DE REAL FLAME ET POLITIQUE DE RETOUR

Garantie

La compagnie Real Flame® garantit les foyers à gaz Real Flame et ses accessoires sont exempts de défauts de pièces sous une utilisation normale pour une période de 1 an à compter de la date d'achat et défectueux de problèmes de finition pour une période de 1 an à compter de la date d'achat. Dans l'éventualité de défectuosité. Real Flame remplacera, selon sa convenance, le produit défectueux ou procédera au remboursement du coût d'achat. Les présentes constituent le seul recours et Real Flame ne reconnaît aucune autre garantie que ce soit, incluant les garanties implicites de la qualité marchande ou d'adaptation à un usage particulier. De plus, Real Flame ne se tient aucunement responsable des dommages consécutifs à un usage abusif où lesdits dommages représenteraient une valeur supérieure au coût du produit sur lequel cette responsabilité tient place. Les foyers électriques offrent une garantie d'un an sur la chambre de combustion électrique seulement.

Politique de retour

Vous pouvez retourner votre produit dans les 90 jours suivant sa réception. Aucun remboursement ne sera accordé pour les retours non autorisés ou incomplets. Tous les produits retournés doivent être complets à 100 %, emballés adéquatement dans leur emballage original et dans une bonne condition de revente. Les produits qui ont été assemblés ou modifiés ne seront pas admissibles à un retour. Tous les articles doivent être retournés dans leur intégralité, ce qui veut dire que tous les éléments inclus doivent être retournés ensemble. Il n'y a aucun retour ou échange pour les articles qui ne sont plus sur le marché. Veuillez entreprendre les procédures de retour de marchandise en contactant premièrement le détaillant ou la compagnie où vous vous êtes procuré l'article Real Flame.

Pièces de rechange

Si une pièce était perdue ou endommagée soit par le manufacturier ou lors de l'expédition, vous pouvez demander un remplacement. Les pièces de rechange ne sont pas offertes pour tous les articles et ne sont données qu'à la discrétion de Real Flame. Nous estimerons chacun des dommages et trouverons une solution, pouvant inclure l'envoi d'un remplacement et la commande d'un nouvel article. Aucun remplacement n'est possible pour les articles qui ne sont plus sur le marché ou pour les articles réemballés (boîte ouverte). Avant de retourner les articles endommagés, veuillez contacter le service à la clientèle de Real Flame au 1 800 654-1704 pour des pièces de rechange. Avant de contacter le service à la clientèle, ayez en main les informations suivantes, se trouvant dans votre manuel d'instructions :

- Le numéro du produit
- Le numéro de la pièce de 4 à 8 chiffres
- Le numéro de code de lot
- L'adresse d'expédition
- Une photo de l'article endommagé peut être demandée. Les photos devront être envoyées

à custserv@realflame.com

Réception de commande irrégulière

Si vous recevez un article différent que celui que vous avez commandé, veuillez contacter le service à la clientèle de Real Flame au 1 800 654-1704 dans les 48 heures suivant la réception de la marchandise.

Veuillez consulter le www.Realflame.com pour une vue complète de nos directives et de nos politiques de retour de marchandise.

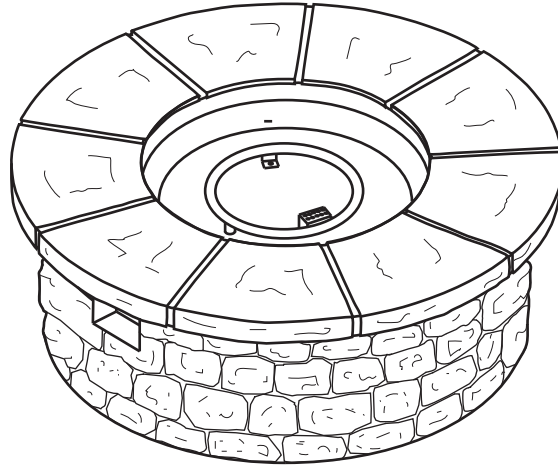
Real Flame®
7800 Northwestern Ave.
Racine, WI 53406

Customer Service: 1-800-654-1704 in USA
Service à la clientèle: 1-800-363-6443 in Canada
custserv@realflame.com



realflame®

fireplaces



C11810LP Sedona

Manual del hogar de la mesa de fuego

⚠ IMPORTANTE

LEA ESTE MANUAL ANTES DE USAR EL PRODUCTO CONSERVE ESTAS INSTRUCCIONES

⚠ ADVERTENCIA

Únicamente para uso al aire libre. NO lo utilice para cocinar. NO lo utilice debajo de una estructura

⚠ ADVERTENCIA

- ▲ Si no sigue con precisión la información que se brinda en este manual, podría provocar un incendio o una explosión y causar daños a la propiedad, lesiones personales o la muerte.
- ▲ Lea las instrucciones de instalación, operación y mantenimiento atentamente antes de instalar o brindar servicio a este equipo.
- ▲ La instalación y el servicio deben estar a cargo de un instalador, una agencia de servicio o un proveedor de gas calificado.
- ▲ Conserve estas instrucciones para consultarlas en el futuro. Si está armando esta unidad para otra persona, entréguele el manual para que lo lea y lo conserve para consultarlo en el futuro.
- ▲ Si no realiza la instalación, el ajuste, la alteración, el servicio o el mantenimiento de manera adecuada, puede provocar lesiones o daños a la propiedad.



Diseño certificado bajo norma ANSI Z21.97-2010

Norma para artefactos de gas decorativos para exterior y CGA CR97-003 Requisitos para hogares a gas para exterior

⚠ PELIGRO

Si siente olor a gas:

1. Corte el suministro de gas al artefacto.
2. Apague cualquier llama abierta.
3. Si el olor continúa, aléjese del artefacto y comuníquese inmediatamente con su proveedor de gas o con los bomberos.

⚠ ADVERTENCIA

No almacene ni utilice gasolina u otros líquidos y vapores inflamables cerca de este o de cualquier otro artefacto.

Los cilindros de propano líquido que no están conectados para ser utilizados no se deben conservar cerca de este u otros artefactos.

Los cilindros de propano se venden por separado

Servicio de atención al cliente de Real Flame: 1-800-654-1704

ÍNDICE

Información importante de seguridad	3
Peligros y advertencias sobre el propano líquido	5
Armado y reemplazo de la manguera y el regulador	7
Lista de piezas	8
Instrucciones de ensamblaje	9
Instrucciones de pre-uso	12
Instrucciones de encendido	13
Cuidado y mantenimiento	14
Verificación de componentes de gas y conexiones	15
Solución de problemas	17
Garantía	19



PELIGRO

PELIGRO DE MONÓXIDO DE CARBONO

Este artefacto puede producir monóxido de carbono, que es un gas inodoro.

Si utiliza este equipo en un lugar cerrado, puede provocarle la muerte.

Nunca use este equipo en un lugar cerrado, como un cámper, una carpa, un automóvil o una casa.



INFORMACIÓN IMPORTANTE DE SEGURIDAD

 **ADVERTENCIA** LA COLUMNA DE FUEGO ES PARA USO ÚNICAMENTE AL AIRE LIBRE

SI SIENTE OLOR A GAS

- Corte el suministro de gas a la columna de fuego.
- Apague cualquier llama abierta.
- No intente encender ningún artefacto.
- No toque ningún interruptor eléctrico; tampoco use los teléfonos del lugar.
- Comuníquese inmediatamente con el proveedor de gas desde el teléfono de un vecino.
- Siga las instrucciones del proveedor de gas.
- Si no puede comunicarse con el proveedor de gas, llame a los bomberos.

- **ADVERTENCIA** Si no sigue las indicaciones de peligro, advertencia y precaución que se incluyen en este manual, podría sufrir lesiones graves o la muerte, o podría provocar un incendio o una explosión, con los consiguientes daños a la propiedad.
- **NOTIFICACIÓN IMPORTANTE** Lea y comprenda todas las advertencias y las precauciones antes de armar y utilizar la columna de fuego a gas. Si no realiza la instalación, el ajuste, la alteración, el servicio o el mantenimiento de manera adecuada, puede provocar lesiones o daños a la propiedad.
- **Nota** El uso y la instalación de este producto se debe realizar en conformidad con los códigos locales. Si no conoce los códigos locales, utilice el Código de Gas combustible nacional, ANSI Z21.97 o consulte el Código de instalación de propano y gas natural CSAB149.1 o el Código de Almacenamiento y manipulación de propano B149.2.
- **Distancia mínima entre la unidad y los materiales combustibles**
72 pulg. (182,9 cm) en la parte superior; 48 pulg. (121,9 cm) en los costados y la parte posterior. No coloque esta columna de fuego debajo de una estructura.
- Esta mesa de fuego a gas y su válvula de seguridad individual se deben desconectar del sistema de abastecimiento de gas si se realizan pruebas en el sistema con una presión superior a 1/2 psi (3,5 kPa). Este artefacto se debe desconectar del sistema de abastecimiento de gas cerrando la válvula de seguridad manual individual si se realizan pruebas en el sistema con una presión igual o inferior a 1/2 psi (3,5 kPa).
- Conserve estas instrucciones para consultarlas en el futuro. Si está armando esta unidad para otra persona, entréguele el manual para que lo lea y lo conserve para consultarlo en el futuro.
- Esta mesa de fuego a gas se debe utilizar ÚNICAMENTE al aire libre, en un espacio correctamente ventilado y NO se debe utilizar dentro de un edificio, un garaje o cualquier otro lugar cerrado.
- NO utilice la mesa de fuego a gas para exterior para calefaccionar un ambiente interior. Podrían acumularse gases TÓXICOS de monóxido de carbono y provocarle asfixia.
- NUNCA DEJE esta mesa de fuego a gas sin supervisión durante su uso.
- Los niños deben recibir información acerca de los peligros de las temperaturas elevadas en la superficie y deben permanecer a una distancia segura cuando la mesa de fuego está siendo utilizada.
- No almacene ni utilice gasolina u otros líquidos y vapores inflamables dentro de un radio de 25 pies (7,62 m) de este o de cualquier otro artefacto.
- No almacene ningún material combustible en el gabinete de la base.
- El consumo de alcohol, medicamentos recetados o no recetados puede alterar la capacidad de una persona para armar u operar de manera segura esta mesa de fuego.

INFORMACIÓN IMPORTANTE DE SEGURIDAD

- NO utilice este equipo en una atmósfera con riesgo de explosión. Mantenga la zona en la que se encuentra la mesa despejada y sin materiales combustibles, gasolina u otros líquidos y vapores inflamables.
- Esta mesa de fuego para exterior NO debe ser utilizada por niños. Los niños pequeños deben ser supervisados cuando se encuentren cerca de esta columna de fuego.
- Esta mesa de fuego para exterior no se debe instalar en embarcaciones o vehículos recreativos.
- Utilícela siempre en conformidad con todos los códigos nacionales, estatales y locales aplicables. Comuníquese con el departamento de bomberos local para obtener información detallada sobre los fuegos al aire libre.
- Al utilizar esta mesa de fuego para exterior, tome las mismas precauciones que tomaría con una llama abierta.
- NO queme en esta mesa de fuego combustibles sólidos como los siguientes: madera, briquetas de carbón, carbón, leños fabricados, tablones, basura, hojas, papel, cartón, aglomerado, madera pintada, teñida o con tratamiento a presión.
- NO utilice esta mesa de fuego para exterior hasta que esté COMPLETAMENTE armada y todas las piezas estén firmemente sujetas y ajustadas.
- NO almacene otro tanque de gas propano líquido dentro de un radio de 10 pies (3,05 m) de esta columna de fuego para exterior mientras se encuentre encendida.
- NO utilice esta columna de fuego para exterior cerca de automóviles, camiones, camionetas o vehículos recreativos.
- NO utilice esta mesa de fuego debajo de ninguna estructura ni cerca de construcciones combustibles que no estén protegidas. Evite utilizarla cerca o debajo de árboles o arbustos.
- Utilice siempre esta mesa de fuego para exterior sobre una superficie dura, nivelada y no combustible, como concreto, roca o piedra. Es posible que no resulte aceptable una superficie recubierta con asfalto.
- NO utilice esta mesa de fuego para exterior si alguna de sus piezas ha estado debajo del agua. Comuníquese inmediatamente con un técnico de servicio calificado para que inspeccione la mesa de fuego y reemplace cualquier pieza, sistema de control o control de gas que haya estado bajo el agua.
- NO utilice vestimenta inflamable u holgada al operar esta mesa de fuego para exterior.
- NO la utilice cuando haya viento.
- Mantenga todos los cables eléctricos alejados de una mesa de fuego para exterior.
- Algunas zonas de esta mesa de fuego para exterior pueden calentarse durante el uso. No toque las superficies calientes hasta que se haya enfriado la unidad, a menos que esté usando equipo de protección, como sujetadores aislados o guantes resistentes al calor, a fin de evitar las quemaduras.
- NO cuelgue ni coloque prendas de vestir u otros materiales inflamables cerca de la mesa de fuego a gas o sobre ella.
- Si se retira una cubierta u otro dispositivo de protección para brindar servicio a la mesa de fuego, debe volver a colocarlo antes de volver a usarla.
- NO intente mover ni almacenar esta mesa de fuego hasta que todas las piezas estén frías.
- NO se incline sobre esta columna de fuego al encenderla o durante su uso.
- Utilice únicamente el conjunto de manguera y regulador que recibió con este equipo. El conjunto de manguera y regulador de reemplazo debe ser el especificado por el fabricante.
- NO intente desconectar el regulador de gas ni ningún otro accesorio del tanque mientras la mesa de fuego para exterior se encuentre en uso.
- Desconecte siempre el tanque de propano cuando no esté utilizando la unidad.
- NO se siente ni se incline sobre esta mesa de fuego durante su uso.
- Las piedras volcánicas levantan mucha temperatura, mantenga a los niños y las mascotas a una distancia segura.

INFORMACIÓN IMPORTANTE DE SEGURIDAD

- Es fundamental que conserve la limpieza del compartimiento de la válvula, el quemador y los pasajes para la circulación de aire de la mesa de fuego para exterior. Inspeccione la mesa de fuego antes de cada uso.
- Antes de poner en funcionamiento la mesa de fuego, mire a través del panel de acceso y verifique los componentes del quemador para ver si hay mucha abrasión o desgaste. Si alguna de estas piezas está dañada, debe reemplazarla antes de utilizar la mesa de fuego a gas. Comuníquese con Real Flame al 1-800-654-1704
- Antes de cada uso, retire las rocas volcánicas. Examine el quemador y sus componentes. Si están sucios, límpielos con un cepillo blando y una solución de agua y jabón. Examine la zona que rodea al quemador y retire cualquier suciedad o material extraño, como telas de araña o nidos de esta zona. Si es evidente que el quemador está dañado, no debe utilizar la mesa de fuego. El conjunto del quemador no se puede reemplazar. Comuníquese con Real Flame al 1-800-654-1704 para solicitar soporte técnico.
- Coloque la manguera alejada de los lugares de paso en los que alguna persona podría tropezarse. No coloque la manguera en las zonas en las que pueda sufrir un daño accidental.

ADVERTENCIA

Esta mesa de fuego de exteriores debe ser utilizada sólo con gas licuado (LP). La conversión a gas natural (GN) debe hacerse con el kit de conversión de Real Flame aprobado y debe ser realizada por un profesional de gas. No hacerlo puede resultar en daños a la propiedad, lesiones o muerte.

ATENCIÓN: Cualquier modificación de la mesa de fuego para exterior que no esté específicamente indicada en el manual de operaciones anulará la garantía del fabricante

PELIGROS Y ADVERTENCIAS SOBRE EL PROPANO LÍQUIDO

GAS PROPANO LÍQUIDO

El gas propano líquido es inflamable y peligroso si no se manipula de manera adecuada. Debe conocer las características antes de utilizar cualquier producto de gas de propano líquido.

Características del propano

- Inflamable, explosivo bajo presión, más pesado que el aire y se asienta en zonas bajas.
- En su estado natural, el propano no tiene olor. Para su seguridad, se ha agregado olor.
- El contacto con el propano puede provocar quemaduras en la piel.
- El propano es sumamente inflamable y peligroso si se manipula incorrectamente.

ADVERTENCIAS DEL GAS PROPANO LÍQUIDO

- Los cilindros se deben almacenar al aire libre en una zona bien ventilada, lejos del alcance de los niños.
- Los cilindros que no están conectados deben tener los tapones de las válvulas instalados y ajustados y no se deben almacenar en edificios, garajes u otros lugares cerrados.
- Nunca utilice un cilindro de propano si tiene el cuerpo, la válvula, el cuello o la base dañados.
- Los cilindros de propano con abolladuras u oxidados pueden resultar peligrosos y es necesario que el proveedor de gas propano los controle.
- Asegúrese de utilizar únicamente un cilindro de gas propano de 1 libra (465 g) en este artefacto.
- Sólo se pueden utilizar tanques con la etiqueta de "propano". El tanque de abastecimiento de gas propano líquido debe estar construido e identificado en conformidad con las Especificaciones para tanques de gas propano líquido del Departamento de Transporte de los Estados Unidos (DOT) o las Normas nacionales de Canadá, CAN/CSA-B339, para el transporte de tanques, tubos y esferas de gas propano.

PELIGROS Y ADVERTENCIAS SOBRE EL PROPANO LÍQUIDO

- Los tanques de gas propano deben contar con una manera de eliminar los vapores.
- El tanque de gas propano debe contar con un dispositivo para prevenir el llenado excesivo y un QCCI o una conexión Tipo I (CGA810).
- El cilindro de gas propano líquido debe contener una válvula de seguridad, en conformidad con las especificaciones de la Norma de Conexión de entrada y salida de la válvula de cilindros de gas comprimido, ANSI/CGA-V-1-1977, CSA B96.
- Nunca utilice un tanque de gas propano si tiene el cuerpo, la válvula, el cuello o la base dañados. Los tanques de gas propano con abolladuras u oxidados pueden resultar peligrosos y es necesario que el proveedor de gas propano los controle antes de su uso.
- Cuide de no dejar caer el tanque de gas propano líquido y manipúlelo con cuidado.
- Los tanques se deben almacenar al aire libre y lejos del alcance de los niños. NO los almacene en un edificio, un garaje o cualquier otro lugar cerrado.
- Nunca almacene su tanque de gas propano en lugares con temperaturas superiores a 125 °F (52 °C).
- No almacene los cilindros de gas propano en lugares con luz solar directa ni cerca de una fuente de calor o combustión.
- Nunca conserve un tanque de gas de propano en un automóvil caliente ni en el baúl de un automóvil. El calor incrementará la presión del gas y esto podría abrir la válvula de escape y permitir la salida del gas.
- Coloque la tapa sobre la salida de la válvula cuando el tanque de gas propano no esté siendo utilizado. Instale únicamente una tapa que haya sido provista junto con la válvula del tanque de gas propano. Si utiliza otro tipo de tapa o tapón, podría haber filtraciones de propano.
 - a. No almacene un cilindro de gas propano de repuesto debajo de este equipo o cerca de él.
 - b. Nunca llene un cilindro de gas propano por encima del 80% de su capacidad.
 - c. Si no respeta las indicaciones de los puntos (a) y (b) podría provocar un incendio que derive en lesiones graves o la muerte.
- Los cilindros de gas propano solo deben ser llenados por un distribuidor de gas propano certificado.
- El regulador de presión está ajustado en 11 pulgadas de columna de agua (presión).
- La presión de gas de entrada máxima para este equipo es de 14 pulgadas de columna de agua (presión).
- Nunca intente conectar este equipo a un sistema de gas propano autónomo de un cámper, una casa rodante o una casa.
- Utilice siempre el conjunto de manguera y regulador de presión que recibió con el equipo para conectar el cilindro de gas propano. Nunca conecte este equipo a un suministro de gas propano sin regular. Comuníquese con Real Flame al 1-800-654-1704 para solicitar soporte técnico.
- Ajuste el tanque de gas de 1 libra a mano. Nunca utilice herramientas. Si el tanque no se abre o cierra a mano, no intente repararlo. Comuníquese con un Técnico gasista certificado. Si lo fuerza o intenta repararlo por su cuenta, podría provocar un incendio o una explosión.

Conexión del cilindro de gas:

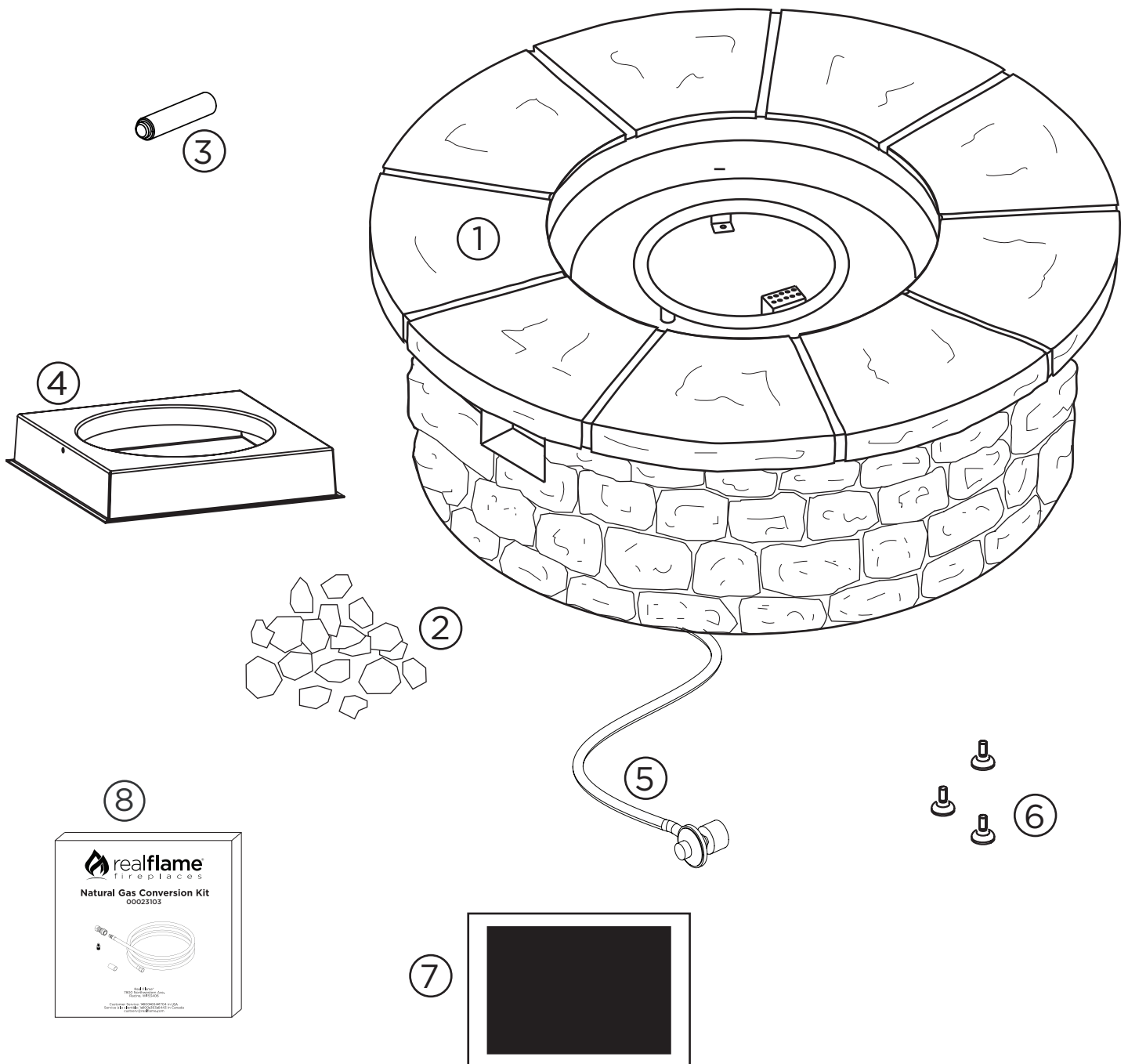
Antes de conectarlo, asegúrese de que no haya basura en el cabezal del cilindro de gas, la válvula reguladora, el quemador o los orificios del quemador. Conecte el tornillo en el tanque de 1 libra de gas propano y ajústelo manualmente. Desconecte siempre el cilindro de propano cuando no esté utilizando la unidad. NO obstruya el flujo de aire de combustión o de ventilación hacia el quemador.

ARMADO Y REEMPLAZO DE LA MANGUERA Y EL REGULADOR

- 1.** Este hogar viene equipado con una manguera y un regulador de gas LP estándar, que incluye la conexión lateral del artefacto a un Dispositivo de conexión de cilindros CGA Núm. 791. Debe utilizar la manguera y el regulador de gas LP que recibió con esta mesa de fuego. Si es necesario reemplazar la manguera y el regulador, utilice únicamente los especificados por el fabricante.
 - a.** La conexión CGA Núm. 791 incorpora un dispositivo limitador de flujo que actúa como un limitador del flujo de gas en caso de que se detecte una pérdida entre el regulador y la válvula del quemador.
 - b.** Si la válvula del quemador se abre antes de abrir la válvula de servicio del cilindro de gas LP, la conexión considerará el libre flujo de gas como una pérdida.
 - c.** La función de seguridad de la conexión reducirá el flujo de gas desde el regulador hasta el artefacto a un nivel mínimo.
 - d.** Asegúrese de que la válvula de control del quemador esté cerrada antes de abrir la válvula de servicio del cilindro de gas LP para no activar erróneamente el dispositivo limitador de flujo de la conexión.
 - e.** Si el dispositivo limitador de flujo de la conexión se activa por error, cierre la válvula de servicio del cilindro de gas LP y la válvula del quemador. Espere 10 segundos para permitir que el dispositivo se desactive, abra la válvula de servicio del cilindro y abra la válvula del quemador. A continuación, encienda el artefacto siguiendo las instrucciones de encendido.
- 2.** Asegúrese de proteger la manguera de cualquier superficie caliente. El contacto de la manguera con cualquier superficie caliente constituye un grave peligro.
- 3.** Mantenimiento regular de la manguera y el regulador:
 - a.** Inspeccione la manguera antes de cada uso de la mesa. Si la manguera presenta señales de grietas, abrasiones, cortes o daños de cualquier tipo, no utilice este artefacto. Repare o reemplace la manguera, según sea necesario, antes de usar este artefacto. Si necesita asistencia para reparar o reemplazar la manguera, comuníquese con Real Flame al 1-800-654-1704. Utilice exclusivamente piezas de repuesto adquiridas al fabricante.
 - b.** Inspeccione el sello que se encuentra dentro de la válvula de servicio CGA Núm. 791 del cilindro de gas cada vez que reemplace el cilindro o, como mínimo, una vez al año. Si hay alguna señal de daños, haga reemplazar el sello por un gasista certificado antes de poner en funcionamiento este artefacto.
- 4.** No utilice herramientas para ajustar la conexión CGA Núm. 791 en la válvula de servicio del cilindro de gas LP. Realice el ajuste a mano.
- 5.** Tenga cuidado de no cruzar las roscas de la conexión al ajustar la conexión CGA Núm. 791 en la válvula de servicio del cilindro de gas LP.
- 6.** Siempre debe realizar una “prueba de filtraciones” después de ajustar la conexión a la válvula de servicio del cilindro de gas LP. (Consulte la sección “Verificación de filtraciones” de este manual, en la página 12).
- 7.** Para conectar la manguera y el regulador del tanque LP, consulte la sección “Conexión” de la sección del cilindro de gas LP, más atrás.

LISTA DE PIEZAS

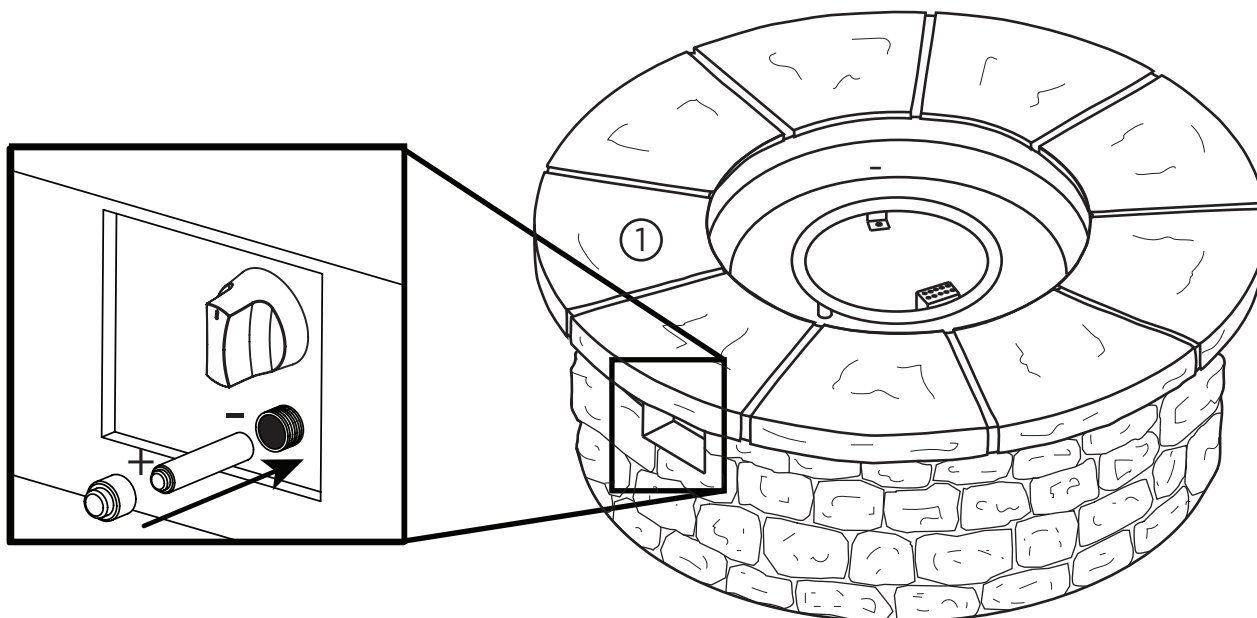
①	Mesa de fuego	N/A	1	⑤	Manguera y regulador de LP	100190000	1
②	Roca volcánica	118137100	1	⑥	Patas	06000003	3
③	Batería	N/A	1	⑦	Cubierta de vinilo	118100007	1
④	Base del tanque	100260000	1	⑧	Kit de conversión de GN	00023109S	1



INSTRUCCIONES DE ENSAMBLAJE

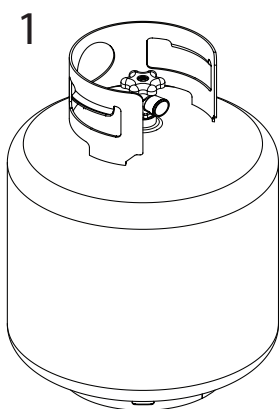
1

Instale la batería AAA como se ilustra en el diagrama que se incluye a continuación.

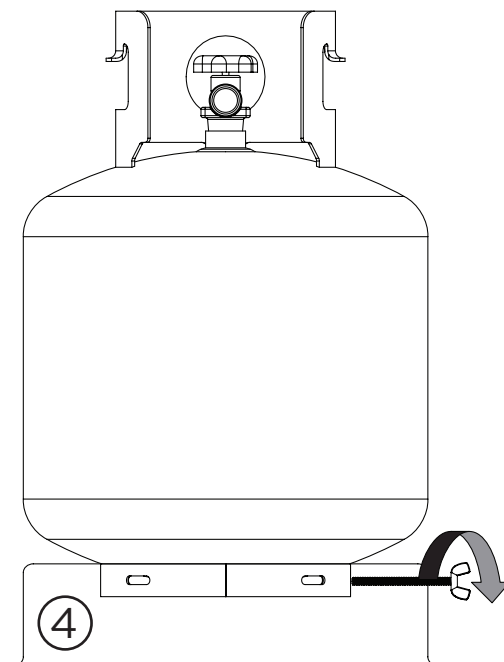


2

1. Coloque la base del tanque en el suelo y apoye un tanque de propano de 20 libras sobre ella.
2. Ajuste el tornillo del costado de la base del tanque para sujetar el tanque de propano.



2



INSTRUCCIONES DE ENSAMBLAJE

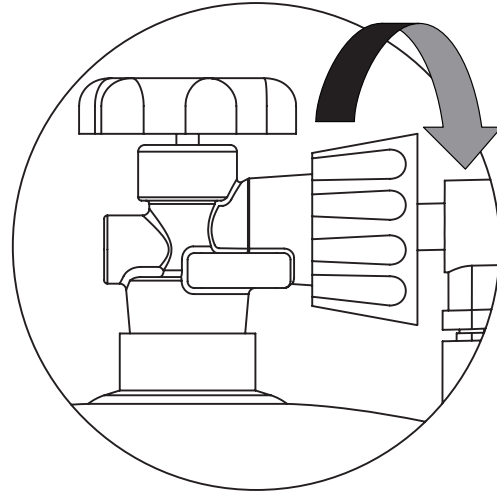
3

Conexión del tanque de gas de propano

Asegúrese de que no haya basura en el cabezal del tanque de gas propano ni en el cabezal de la válvula del regulador.

Asegúrese de revisar también los orificios del quemador y el quemador.

Conecte la línea de gas al tanque girando la perilla en el sentido de las agujas del reloj. Realice el ajuste a mano.

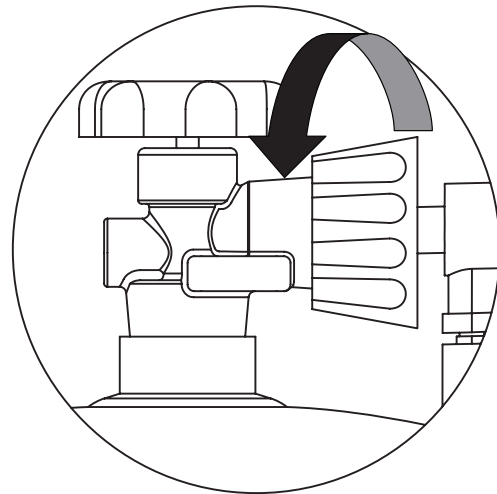


Desconexión del tanque de gas de propano

Asegúrese de que la válvula del tanque de gas LP esté cerrada.

Desconéctelo girando la perilla en el sentido opuesto al de las agujas del reloj hasta que se separe de la válvula.

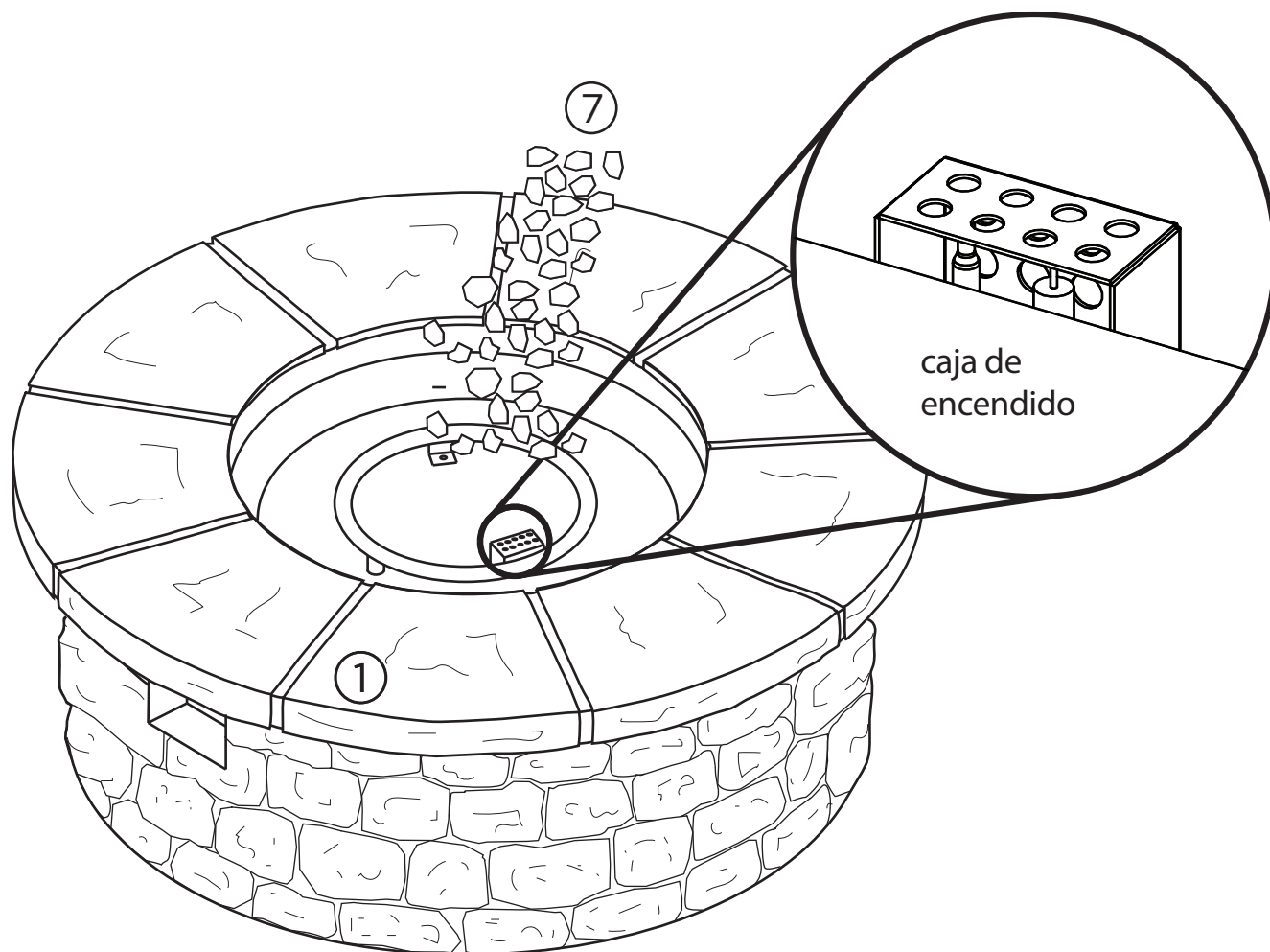
4



INSTRUCCIONES DE ENSAMBLAJE

5

Coloque las rocas volcánicas manualmente. NO vacíe la bolsa en la bandeja para evitar tapan el quemador con polvillo. Coloque las rocas volcánicas a un nivel de aproximadamente 1 pulgada por encima del quemador. Asegúrese de no bloquear el encendedor con rocas volcánicas para garantizar una correcta ignición.



NOTA

Materiales de relleno adicionales tales como vidrio o piedra pómez están disponibles para su compra a través de Real Flame. Llama Real para precios y opciones.

Roca de lava y relleno alterno Advertencia:

1. No llene excesivamente el área del quemador con rocas o de relleno de vidrio. La profundidad del relleno no debe estar más de una pulgada por encima del tubo del quemador. Sólo productos de relleno de Real Flame están certificados y probados por CSA para el uso seguro con esta mesa de fuego de Real Flame; no utilice otros materiales de relleno.
2. No encienda ni utilice esta mesa de fuego si el relleno está húmedo. Asegúrese de que el relleno esté completamente seco antes de encender. El calor intenso puede hacer que el relleno húmedo explote y golpee a alguien causando lesiones.
3. Manténgase alejado de la mesa de fuego durante al menos 20 minutos durante el encendido inicial ya que el relleno podría retener algo de humedad proveniente de la fabricación y / o el envío.

INSTRUCCIONES PREVIAS AL USO

6

⚠ ADVERTENCIA Antes de usar esta mesa de fuego para exterior, asegúrese de haber leído, comprendido y estar siguiendo toda la información que se incluye en la sección de Información importante de seguridad de este manual. Si no sigue estas instrucciones puede provocar la muerte, lesiones graves o daños a la propiedad.

Antes de poner en funcionamiento la mesa de fuego, mire a través del orificio de verificación visual del lado de la base y verifique la manguera y la válvula para ver si hay mucha abrasión o desgaste.

CONEXIONES DEL QUEMADOR

Asegúrese de que las conexiones de la manguera y la válvula del regulador estén bien sujetas al quemador y el tanque. Si le armaron la unidad, compruebe visualmente la conexión entre el caño y el orificio del quemador. Asegúrese de que el caño del quemador calce por encima del orificio.

⚠ ADVERTENCIA Si no inspecciona esta conexión o no sigue estas instrucciones podría provocar un incendio o una explosión, lo cual podría provocar la muerte, lesiones graves o daño a la propiedad.

Consulte el diagrama para ver cómo es una instalación correcta. Si el caño del quemador no está al ras del orificio, comuníquese con Real Flame al 1-800-654-1704 para obtener asistencia.

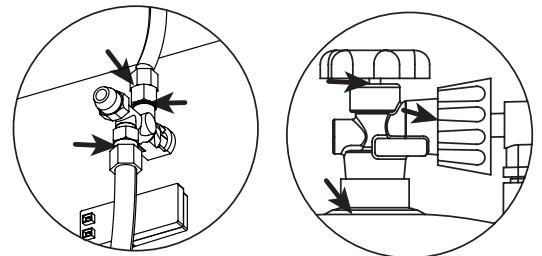
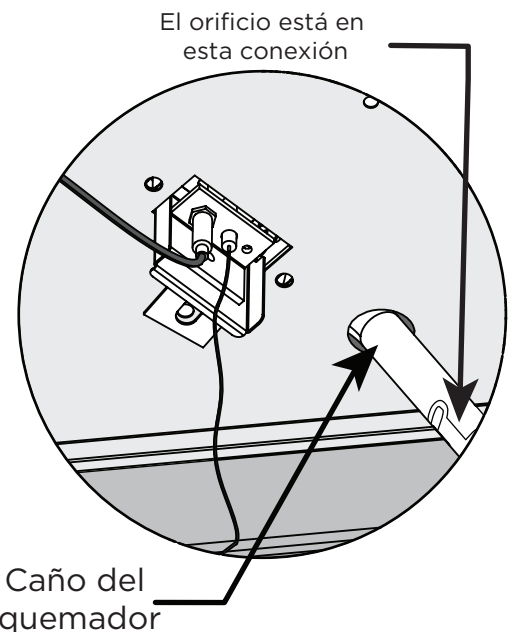
Detección de filtraciones

Prepare una solución para detectar filtraciones mezclando una parte de lavavajillas con tres partes de agua en una botella rociadora. Asegúrese de que la perilla de control esté en la posición cerrada. A continuación, abra la válvula del tanque de gas LP.

Rocíe la solución sobre las conexiones de las válvulas y preste especial atención a las zonas que indican las flechas.

Si aparece alguna burbuja, cierre el tanque de gas, vuelva a realizar las conexiones y realice nuevamente la prueba. Si continúa viendo burbujas después de varios intentos, desconecte el gas y comuníquese con Real Flame al 1-800-654-1704 para solicitar asistencia.

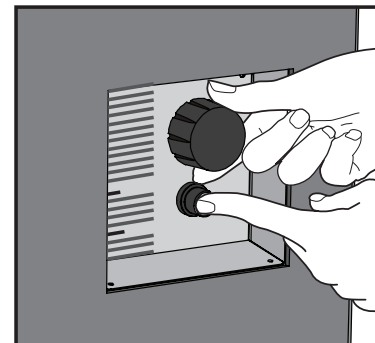
Si una vez transcurrido un minuto, no hay ninguna burbuja, retire la solución y continúe.



INSTRUCCIONES DE ENCENDIDO

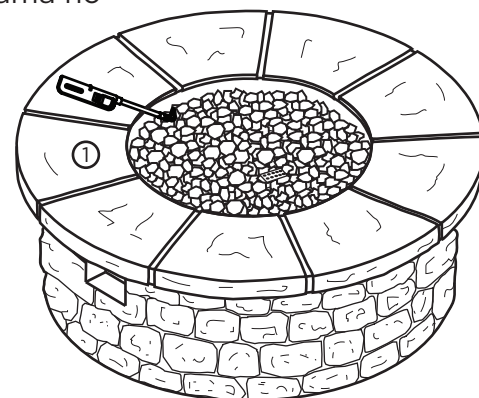
Uso del encendedor

1. Lea y comprenda todas las instrucciones de operación antes de encender este equipo. Antes de encenderlo, asegúrese de haber retirado toda la película de protección de la bandeja del quemador de acero inoxidable.
2. La perilla de control del quemador debe estar en la posición de apagado (OFF).
3. Conecte el cilindro de propano (consulte las páginas anteriores).
4. Abra lentamente la válvula del cilindro de gas LP.
5. Empuje y mantenga presionado el botón encendedor para generar chispas.
6. Mientras sostiene el botón del encendedor con una mano, utilice la otra mano para girar la perilla de control a la posición de encendido y encender el quemador.
7. Mantenga presionada la perilla de control del quemador entre 15 y 30 segundos después del encendido.
8. Si después de 30 segundos, el equipo no enciende, gire la perilla de control a la posición "OFF" y cierre la llave de gas. Espere 5 minutos, a que se haya ventilado el gas y vuelva a realizar el procedimiento de encendido.
9. Después de encender esta unidad, gire la perilla de control del quemador en el sentido horario al ajuste "bajo". Observe la llama y asegúrese de que todos los orificios del quemador estén encendidos. La altura de la llama no debe superar las 13 pulgadas (18 cm).
10. Ajuste la llama a la altura deseada con la perilla de control.



Uso de un fósforo o un encendedor largos

1. Antes de encender la columna, utilice una pala para mover las piedras volcánicas y acceder al quemador.
2. Con guantes resistentes al calor, coloque el encendedor o el fósforo largo cerca del costado del quemador. NO se incline sobre la mesa de fuego al encenderla.
3. Gire la perilla de control en el sentido opuesto al de las agujas del reloj para encender la columna.
4. Retire el fósforo o el encendedor.
5. Una vez que haya encendido el artefacto, utilice una pala o guantes resistentes al calor para mover cuidadosamente las piedras volcánicas a la posición adecuada.
6. Después de encender esta unidad, gire la perilla de control del quemador en el sentido horario al ajuste "bajo". Observe la llama y asegúrese de que todos los orificios del quemador estén encendidos. La altura de la llama no debe superar las 13 pulgadas (18 cm).
7. Ajuste la llama a la altura deseada con la perilla de control.



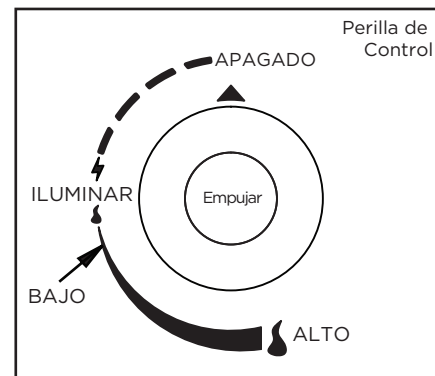
⚠ ADVERTENCIA

Cuando utilice este método para encender la mesa de fuego, utilice guantes resistentes al calor y siga las instrucciones paso a paso. Si no lo hace podría sufrir lesiones graves.

⚠ ADVERTENCIA

Si la llama del quemador se apaga durante esta operación, gire la perilla de control inmediatamente a la posición "OFF" y deje que el gas se ventile durante al menos 5 minutos antes de intentar encender la unidad nuevamente.

Consulte las páginas de solución de problemas para recibir más asistencia. Comience por la página 17.



CUIDADO Y MANTENIMIENTO

Inspeccionar

Esta mesa de fuego de exteriores debe ser inspeccionada regularmente para asegurar que el producto es seguro y para extender la vida del mismo.

⚠ ADVERTENCIA NO inspeccione esta mesa de fuego de exteriores hasta que el fuego esté **TOTALMENTE** apagado.

1. Asegúrese de que todas las piezas estén firmemente sujetas en su lugar. Si una pieza se mueve al tocarla, compruebe sus puntos de conexión para ver si están flojos.
2. Revise todas las conexiones de gas para comprobar la existencia de fugas.
3. Revise el sistema de encendido para asegurarse de que las chispas sean correctas.
4. Verifique los componentes para comprobar la existencia de cualquier signo de daño, herrumbre o desgaste excesivo.
5. Si se detecta algún daño en algún componente, **NO** lo utilice hasta que se hayan realizado las reparaciones adecuadas.

⚠ ADVERTENCIA NO manipule este artefacto. Es **PELIGROSO** y anulará la garantía. Cualquier pieza que se encuentre defectuosa debe ser reemplazada por una pieza aprobada y confirmada por el fabricante. Para obtener asistencia técnica, póngase en contacto con Real Flame llamando al: 1-800-654-1704.

Cuidado general y limpieza

1. Esta mesa de fuego de exteriores debe ser limpiada regularmente para garantizar el uso seguro del producto y para extender la vida del mismo. **AVISO:** Después del uso repetido, puede producirse una ligera decoloración del acabado.

⚠ WARNING NO intente limpiar esta mesa de fuego de exteriores a menos que el fuego esté completamente apagado y la unidad esté fría al tacto.
NO utilice limpiadores de horno o abrasivos ya que dañarán el producto.
NO USE SOLVENTES en espacios cerrados o mientras esté fumando.

Mesa

1. Limpie las superficies exteriores con un jabón suave para lavar platos, luego enjuague con agua.

Almacenamiento:

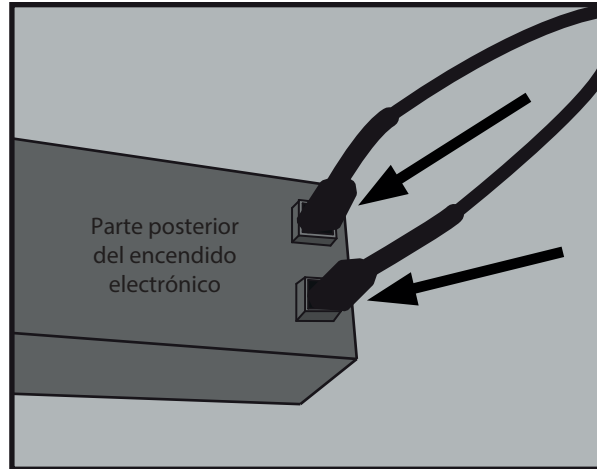
⚠ ADVERTENCIA NO intente mover o guardar esta mesa de fuego de exteriores a menos que el fuego esté **COMPLETAMENTE** apagado y la unidad esté fría al tacto.

1. Cierre el suministro de gas (OFF) en la conexión del tanque. Retire el tanque y guárdelo en un lugar fresco y seco al aire libre, lejos de los niños.
2. Retire con cuidado el relleno y almacene los componentes en forma plana para protegerlos de roturas.
3. **SIEMPRE** cubra la mesa de fuego de exteriores cuando no esté en uso. La cubierta protegerá los componentes mecánicos de la suciedad y escombros, evite que el agua se acumule en la superficie de la mesa del fuego, eso evitará la decoloración del acabado
4. Almacene en un lugar fresco y seco, lejos de los niños y las mascotas.

VERIFICACIÓN DE COMPONENTES DE GAS Y CONEXIONES

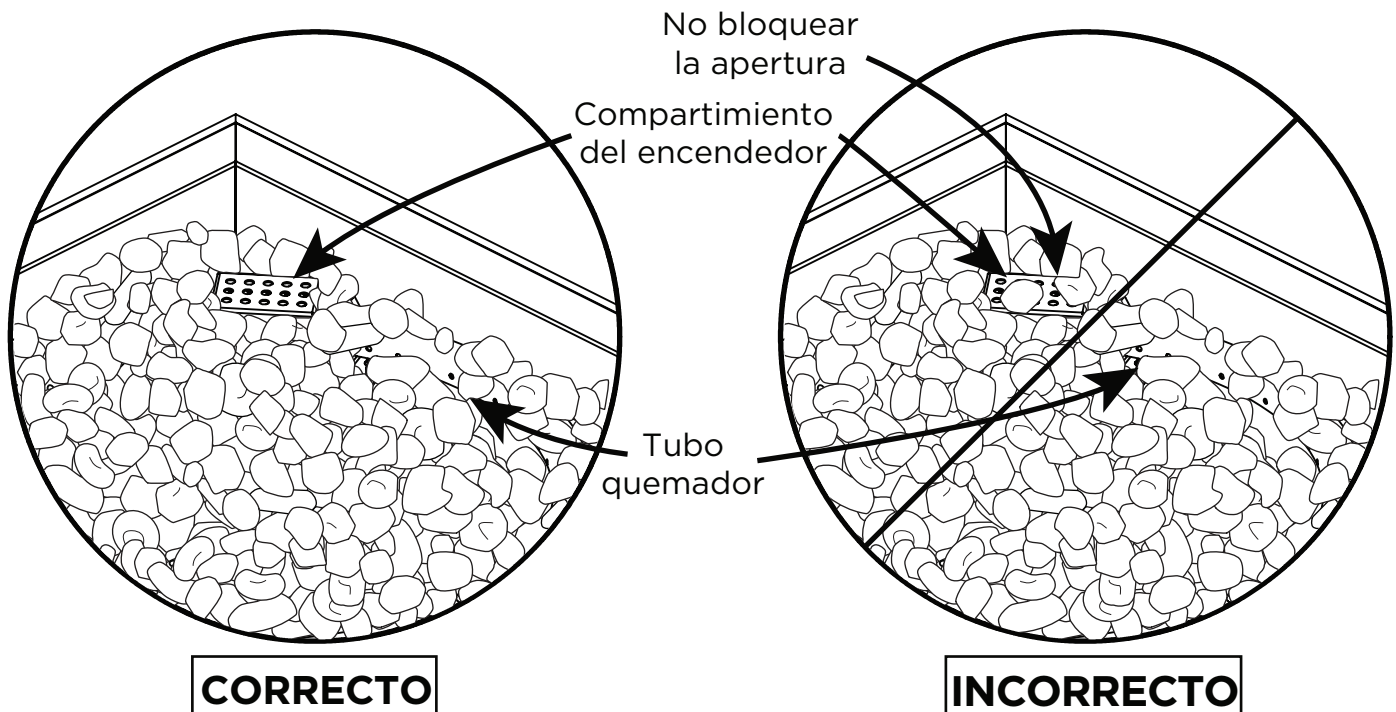
Si el quemador no se enciende o permanece encendido, realice las siguientes comprobaciones.

1. Asegúrese de que el cable del electrodo esté completamente y correctamente conectado.

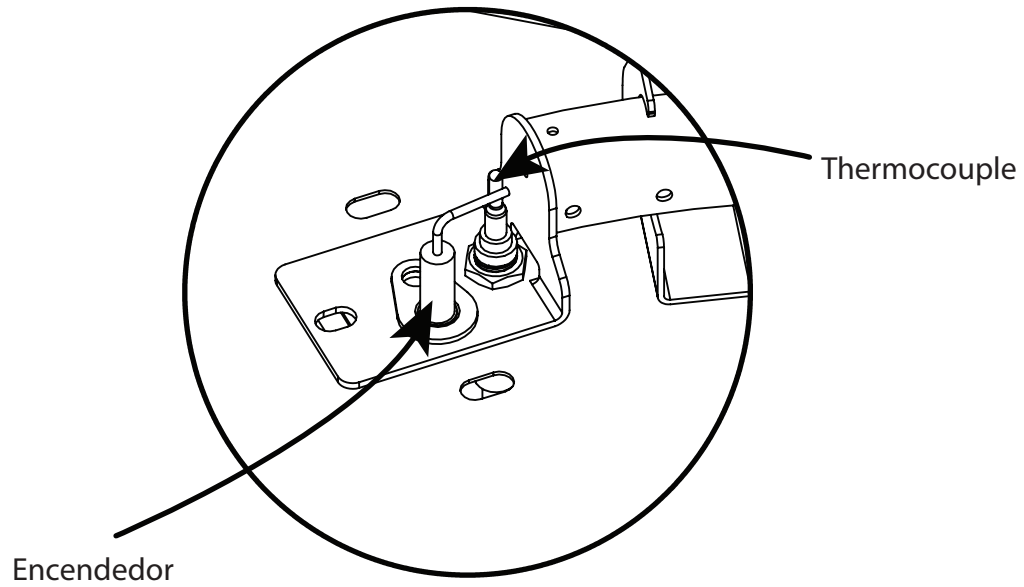


2. Asegúrese de que el compartimiento del encendedor no esté obstruido.

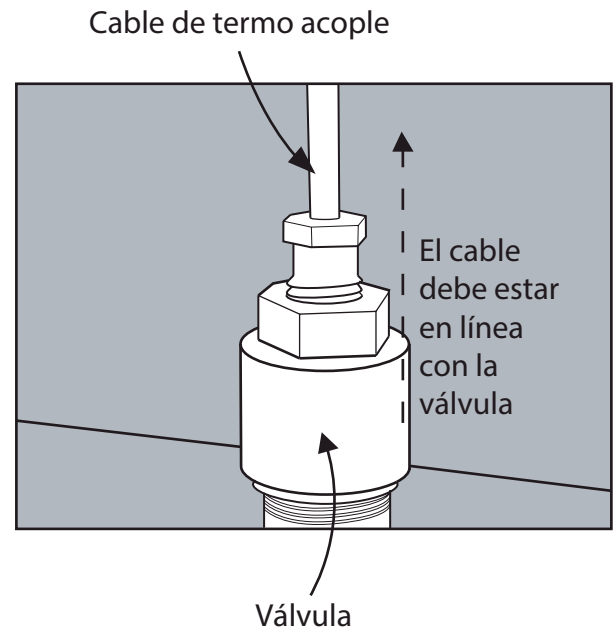
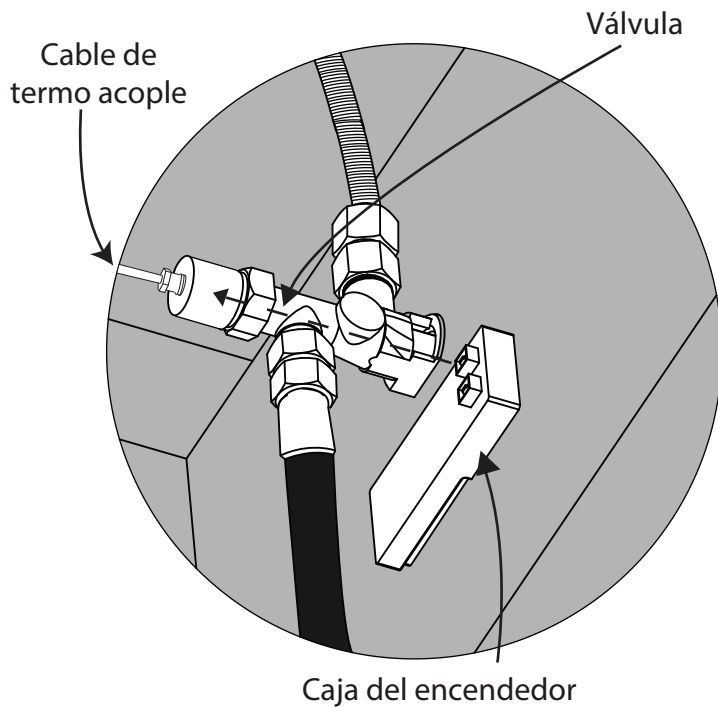
Limpie cualquier residuo existente en la parte superior del compartimiento del encendedor y asegúrese de que no haya residuos entre el pasador del encendedor, el termo acople y el tubo del quemador.



VERIFICACIÓN DE COMPONENTES DE GAS Y CONEXIONES



3. Asegúrese de que el pasador del encendedor y el termo acople estén colocados correctamente.
- El pasador del encendedor debe estar apuntando al termo acople.
 - El termo acople debe colocarse a 5 mm del tubo de combustión.



4. Asegúrese de que el cable del termo acople esté correctamente colocado. El cable del termo acople debe estar en línea con la válvula

SOLUCIÓN DE PROBLEMAS

Problema: El quemador no se enciende utilizando el encendedor

Causa posible 1: El electrodo y los quemadores están húmedos.

- Secar con un paño.

Causa posible 2: La pila del encendedor está muerta o al revés.

- Compruebe que la pila AAA está insertada correctamente en el encendedor (consulte la página 9) o reemplace la pila.

Causa posible 3: El pasador del encendedor está agrietado o roto - chispas en la grieta.

- Comuníquese con Real Flame al 1-800-654-1704 para obtener soporte técnico.

Causa posible 4: Cable suelto o desconectado.

- Refiérase a la página 15, paso 1, vuelva a conectar el cable. Llame a Real Flame al 1-800-654-1704.

Causa posible 5: El cable está en cortocircuito (chispas) entre el encendedor y el electrodo.

- Comuníquese con Real Flame al 1-800-654-1704 para obtener soporte técnico.

Causa posible 6: El pasador del encendedor no apunta al termo acople.

- Refiérase a la página 16, gire el electrodo para apuntar al termo acople.

Causa posible 7: Encendedor en malas condiciones.

- Comuníquese con Real Flame al 1-800-654-1704 para obtener soporte técnico.

Problema: El quemador no se enciende utilizando un fósforo

Causa posible 1: No hay flujo de gas.

- Compruebe si el tanque de gas LP está vacío. Si está vacío, reemplácelo. Si el tanque de propano no está vacío, consulte el "Problema: Caída repentina del flujo de gas" en la página siguiente.

Causa posible 2: La tuerca de acople y el regulador no están completamente conectados.

- Gire la tuerca de acople aproximadamente una mitad a tres cuartos de vuelta, hasta que sienta una parada firme. No utilice herramientas, apriete con la mano solamente.

Causa posible 3: Obstrucción del flujo de gas.

- Compruebe si hay manguera doblada o estrangulada.

Causa posible 4: Redes de araña o nido de insectos en el difusor.

- Limpie el difusor con aire comprimido.

Causa posible 5: Los puertos del quemador están obstruidos o bloqueados.

- Refiérase al "Problema: Patrón de llama irregular" en la página siguiente. Limpie los puertos del quemador como se describe.



Problema: La mesa de Fuego emite mucho humo negro cuando está en uso

Causa posible 1: La manguera de la mesa de fuego está pellizcada.

- Asegúrese de que la manguera no esté pellizcada entre la mesa de fuego y el suministro de gas.

Causa posible 2: La llama está siendo obstruida en los puertos del quemador.

- Asegúrese de que los puertos de gas en el quemador estén libres de cualquier relleno de vidrio para que la llama pueda fluir naturalmente.

Para obtener asistencia técnica, póngase en contacto con Real Flame llamando al: 1-800-654-1704

SOLUCIÓN DE PROBLEMAS

Problema: Caída repentina del flujo de gas, o una reducción de la altura de la llama

Causa posible 1: Acabó el gas.

- Reponer o intercambiar el tanque de LP.

Problema: Patrón de llama irregular, la llama no corre toda la longitud del quemador

Causa posible: Los puertos del quemador están obstruidos o bloqueados.

- Limpie los puertos del quemador.

Para ello inserte un clip en cada uno de los puertos del quemador para asegurarse de que no están obstruidos.

ADVERTENCIA: Asegúrese de que el quemador no esté encendido y que el suministro de gas haya sido desconectado correctamente. Espere 15 minutos hasta que la unidad se enfríe antes de tocarla.

Problema: Llama soplando

Causa posible 1: Vientos fuertes o con ráfagas.

- No utilice la mesa de fuego.

Causa posible 2: Poco gas LP

- Reemplace o llene el tanque de gas LP.

Causa posible 3: Válvula de exceso de flujo activada.

- Refiérase al "Problema: Caída repentina en el flujo de gas "

Problema: La llama parece perder calor cuando se quema en tiempo frío - temperatura por debajo de 50 °F

Causa posible 1: Se acumuló hielo en el exterior del tanque de gas LP porque el proceso de vaporización es demasiado bajo.

- Gire la perilla de control y el depósito de gas LP a la posición OFF.
Reemplazar con un tanque de gas LP de repuesto y reanude el encendido.
Guarde el tanque de gas LP de repuesto en un área bien ventilada, lejos de los niños.

Si estos consejos no pueden resolver el problema,
llame a Real Flame en: 1-800-654-1704

POLÍTICAS DE DEVOLUCIÓN Y GARANTÍA

Garantía

Real Flame® Company garantiza los chimeneas de gas Real Flame y sus accesorios están libres de defectos en condiciones de uso normal por un período de 1 año desde la fecha de compra y los problemas de acabado defectuosas por un período de 1 año a partir de la fecha de compra. En caso de que surjan estos defectos, Real Flame, a su sola discreción, reemplazará el producto defectuoso o reembolsará el dinero abonado por el producto. Éste es el único recurso y Real Flame niega cualquier otra garantía, incluidas las garantías implícitas de comercialización o aptitud para un fin determinado. Asimismo, Real Flame no será responsable por los daños resultantes que superen el precio de compra del producto sobre el que se basa la responsabilidad. Los hogares eléctricos cuentan con una garantía de un año exclusivamente sobre el hogar eléctrico.

Política de devolución

Puede devolver la compra dentro de los 90 días de haberla recibido. No se realizarán reembolsos en el caso de devoluciones incompletas o no autorizadas. Todos los productos devueltos deben estar totalmente completos, correctamente empacados en su empaque original y en condiciones para ser puestos nuevamente a la venta. No se podrán devolver productos que hayan sido ensamblados o modificados. Se deben devolver todos los artículos en conjunto, es decir que todos los elementos incluidos en el empaque se deben devolver juntos. No se realizarán devoluciones o cambios de elementos discontinuados. Para comenzar el proceso de devolución, comuníquese con la tienda o la compañía donde adquirió su Real Flame.

Piezas de reemplazo

Si se perdió o se dañó alguna pieza durante el envío, puede solicitar un reemplazo. No hay piezas de repuesto para todas las unidades y éstas se entregan únicamente a discreción de Real Flame. Evaluaremos todos los daños y encontraremos una solución, que podría incluir el envío de un repuesto. No hay repuestos para elementos discontinuados o productos vueltos a empacar (cajas abiertas). Comuníquese con el Servicio de atención al cliente del Real Flame al 800-654-1704 para solicitar piezas de repuesto antes de devolver el artículo dañado. Cuando se comunique con el Servicio de atención al cliente, debe tener a su alcance la siguiente información (puede encontrarla en el manual de instrucciones).

- Número de modelo del artículo
- Número de pieza de 4 a 8 dígitos
- Número de código del lote
- Domicilio de entrega
- Es posible que se le solicite una fotografía del artículo dañado. Las fotografías se deben enviar a: custserv@realflame.com

Recepción de un pedido incorrecto

Si recibió un artículo distinto del solicitado, comuníquese con el Servicio de atención al cliente de Real Flame al 800-654-1704, dentro de las 48 horas de haberlo recibido.

Consulte www.Realflame.com para conocer nuestras instrucciones y políticas de devolución completas.

Real Flame®
7800 Northwestern Ave.
Racine, WI 53406

Customer Service: 1-800-654-1704 in USA
Service à la clientèle: 1-800-363-6443 in Canada
custserv@realflame.com