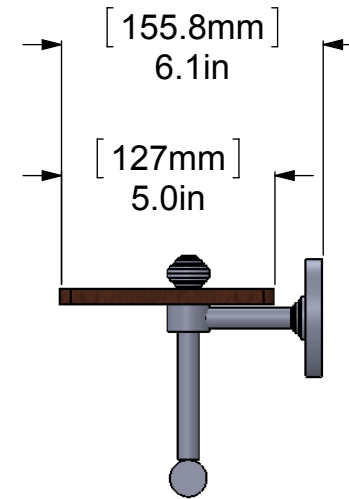
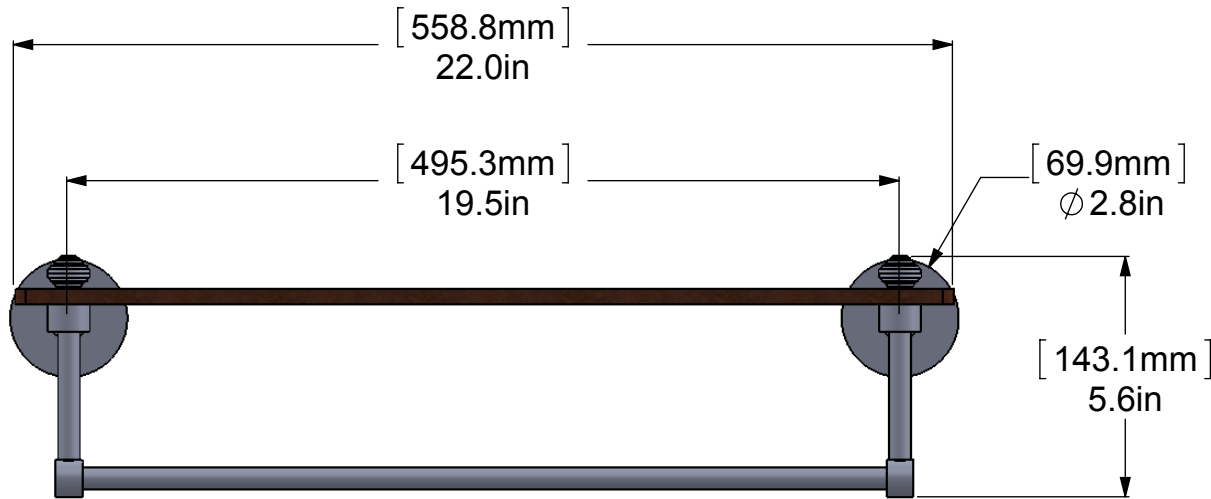
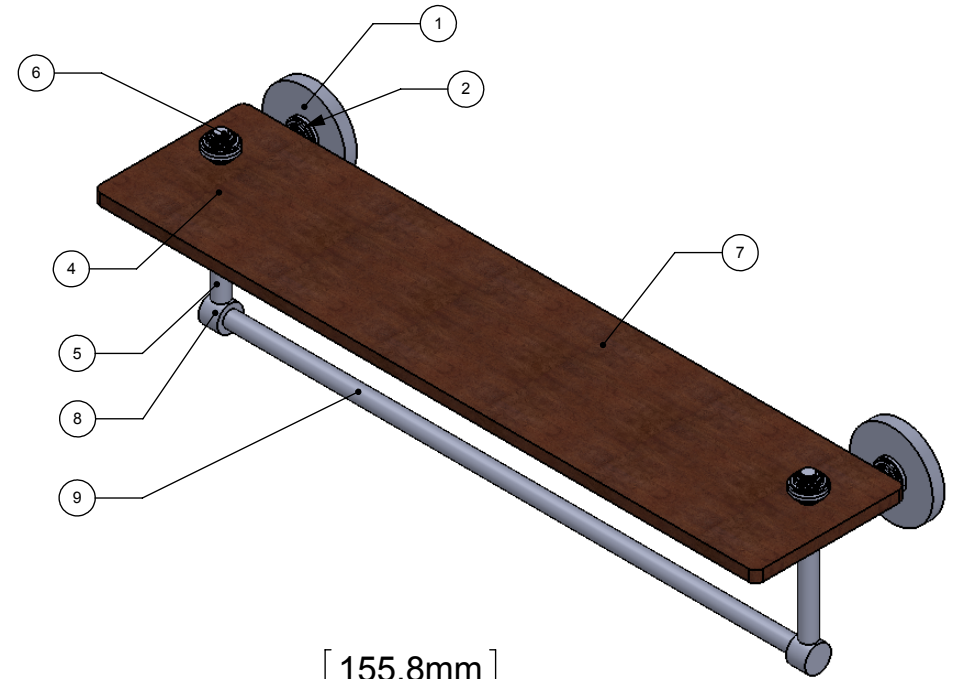


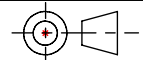
ITEM NO.	P/N	Description	QTY.
1	BPRD	BACKPLATE	2
2	RGNY	POST	4
3	TU12-2	TUBE	2
4	HB1T-1	HUB	2
5	TU12-3	TUBE	2
6	CANY-1	END CAP	2
7	IRWRT-22	GLASS	1
8	HBBTT-78	HUB	2
9	TU38-19.5	TUBE	1



UNLESS OTHERWISE STATED

.X	±.3mm
.XX	±.15mm
.XXX	±.008mm

COPYRIGHT © Allied Brass 2017



THIRD ANGLE PROJECTION

DRAWN	5/4/2017	I.M
CHECKED	5/4/2017	P.D
APPROVED	5/4/2017	R.A

MATERIAL: BRASS
 DESCRIPTION: South Beach Collection Solid IPE Ironwood Shelf with Integrated Towel Bar



FINISH	TBD
QUANTITY	TBD
DRAWING No.	REV
SB-1TB-22-IRW	0
SCALE	1:4.5 SHEET: 01 A4