

	<b>4" Duct (Standard):</b> 100 CFM/1.5 Sones @ 0.1" SP, 13.6 Watts 72 CFM/1.5 Sones @ 0.25" SP, 11.6 Watts	

### Description

Low noise ceiling mount ventilating Fan/LED Light. Fan is ENERGY STAR® qualified, HVI, UL, and cUL certified, and can be used to comply with ASHRAE 62.2 Intermittent Local Exhaust and CA Title 24 requirements.

### DC Motor/Blower

- Power Rating of 120 volts / 60Hz
- DC Brushless motor engineered to run continuously
- Motor equipped with thermal cutoff fuse
- Removable with permanently lubricated plug-in motor
- Built-in soft start function to increase bearings' life
- Automatically powers OFF when impeller is locked abnormally
- Self-compensating motor speed for intended airflow when static pressure is encountered

### Housing

- Galvanized steel body
- Detachable 4" diameter duct adapter
- Built-in backdraft damper
- Easy installation

### Grille

- Attractive design using ABS material
- Attaches directly to housing with torsion springs

### Light

- 13-Watt LED Light output 850 Lumens, 2700K
- Dimmable Lighting (dimmer switch not included)

### LED Indicator

- Turn the power switch on/off to operate on/off LED indicator will be green when power is on

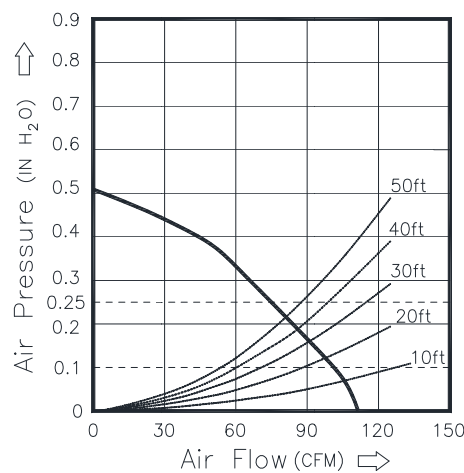
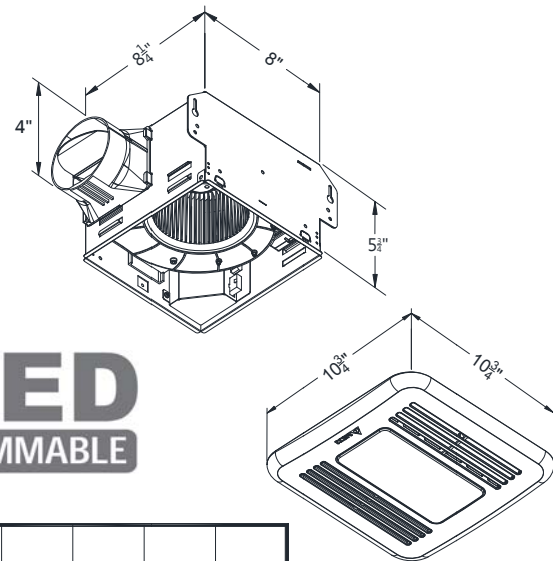
### Warranty

- 3-year limited warranty.

GreenBuilder GBR100LED	4" Duct (Standard)	
	Static Pressure (inches w.g.)	0.1
Air Flow (CFM)	100	72
Sones	1.5	1.5
Power Consumption (Watts)	13.6	11.6
Energy Efficiency (CFM/Watt)	7.3	6.2
Current (Amps)	0.35 Max.	
Power Rating (V/Hz)	120 / 60	
LED Main Light (Watt)	13	

### TYPICAL SPECIFICATION

Ventilation fan shall be Delta Breez model GBR100LED; ENERGY STAR qualified with DC brushless motor engineered to run continuously for a minimum 70,000 hours; airflow rating of 100 CFM and loudness rating of 1.5 Sones at 0.1 static pressure as certified by the Home Ventilating Institute (HVI); power consumption of 13.6 Watts with efficiency rating of 7.3 CFM/Watt at 0.1" static pressure; fan will feature LED indicator running light, motor lock protection and self-compensating motor speed for intended airflow when static pressure is encountered. UL and cUL listed for tub/shower enclosure when used with GFCI-protected branch circuit wiring



Model	Quantity	Comments	Project:
			Location:
			Architect:
			Engineer:
			Contractor:
			Submitted by:
			Date: