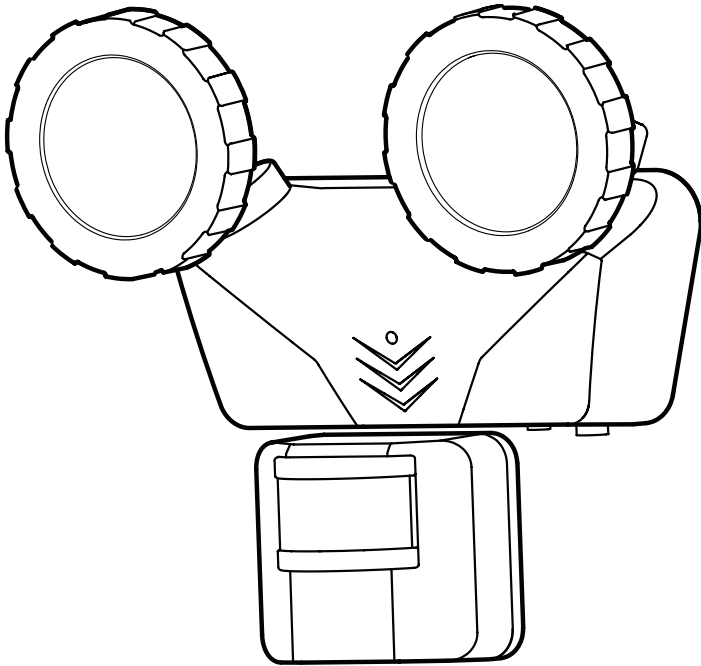


N O V O L I N K



N L - D S W 1 / D S B 1 I N S T R U C T I O N M A N U A L

Questions, problems, missing parts?
We're ready to help. Call Novolink Customer Service
9 a.m. - 5 p.m., Monday-Friday

1-800-933-7188

NOVOLINKINC.COM

We appreciate the trust and confidence you have placed in Novolink through the purchase of this solar motion light. We strive to continually create quality products designed to enhance your home. Visit us online to see our full line of products available for your home improvement needs. Thank you for choosing Novolink!

TABLE OF CONTENTS

1-Year Warranty	2
Tools and Hardware	3
Main Package Contents	4
Planning Installation	5
Installing the Solar Panel	6
Installing the Motion Light	8
Connecting the Solar Panel to the Motion Light	10
Charging and Replacing the Battery	12
Using the Novolink App	14
Controlling the Motion Light	15
Maintenance, Cleaning and Care	16
Troubleshooting	17

SAFETY INFORMATION

This manual has been carefully designed and organized to make the assembly, operation, and continued maintenance of the product as easy and safe as possible, provided it is installed, operated, maintained, and tested in strict accordance with the instructions and warnings contained in this manual. Read and follow all guidelines and operating instructions before the first use of this product. Store the manual in a safe, easily accessible location.

WARNINGS



When selecting a replacement battery, ensure the correct battery type is chosen.

Keep these instructions safe for future reference.

Do not make any additions to the wiring of the LED Solar Motion Light.

Always take precautions if using a step ladder when installing the LED Solar Motion Light.

1-YEAR WARRANTY: WHAT IS COVERED



The manufacturer warrants to the original purchaser that the products delivered are free of defects in material and workmanship for the period listed below from the date of purchase.

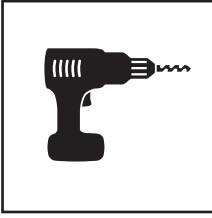
The manufacturer requires a proof of purchase for any warranty claim. The warranty is conditioned on the following:

1. The manufacturer must be notified within the period of the warranty from the date purchased and have been given the opportunity of inspection by return of any alleged defective product.
2. The product must not have been abused, misused or improperly maintained, installed or repaired during the warranty period.
3. Such alleged defects should not be deemed as a result of any circumstance not falling under ordinary 'wear and tear'. The manufacturer makes no other warranty or representation either expressed or implied.
4. The manufacturer's maximum liability is limited to the purchased price of the product. In no event shall the manufacturer be liable for any consequential, indirect, incidental, or special damages of any nature arising from the sale or use of this product.

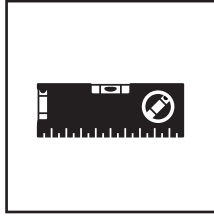
Contact Novolink Customer Service
1-800-933-7188
or visit www.novolinkinc.com

TOOLS AND HARDWARE

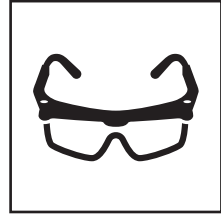
TOOLS REQUIRED



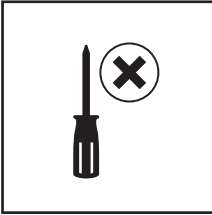
Power Drill



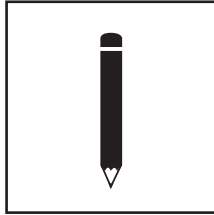
Level



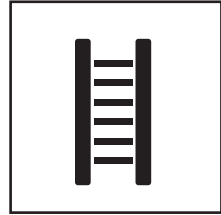
Safety Goggles



Phillips Screwdriver

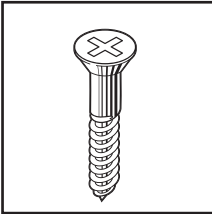


Pencil

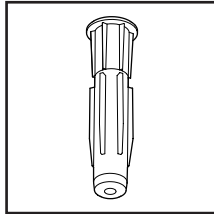


Ladder

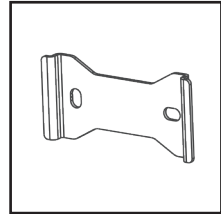
HARDWARE NEEDED



AA



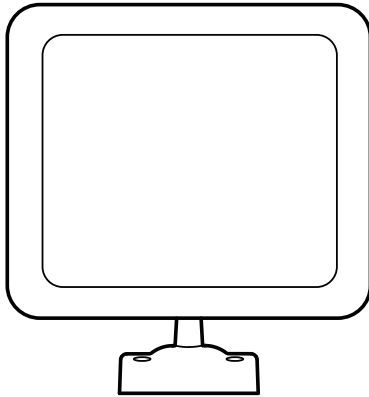
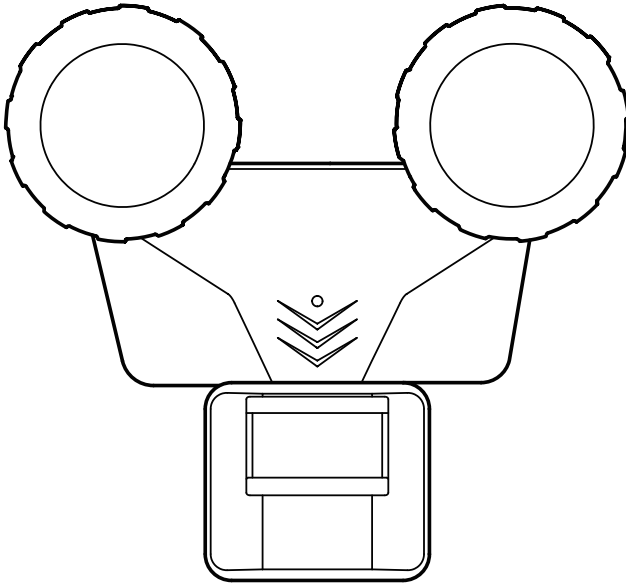
BB



CC

PART	DESCRIPTION	QUANTITY
AA	Screws	6
BB	Plugs	6
CC	Quick-Clip mounting bracket	1

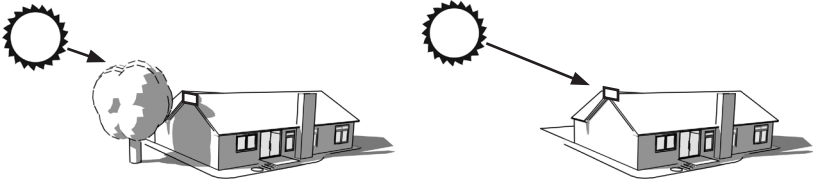
MAIN PACKAGE CONTENTS



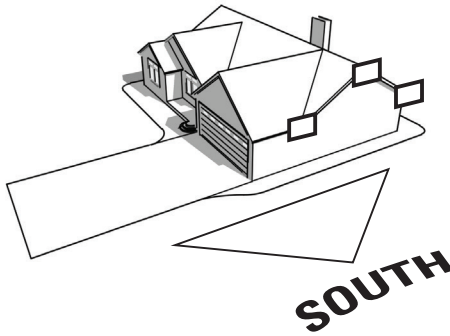
PART	DESCRIPTION	QUANTITY
A	Dual Head LED Motion Light	1
B	Solar Panel with Wire	1

PLANNING INSTALLATION

For the best result, locate the solar panel in a position where it receives direct sunlight and is generally free from cover and shade.

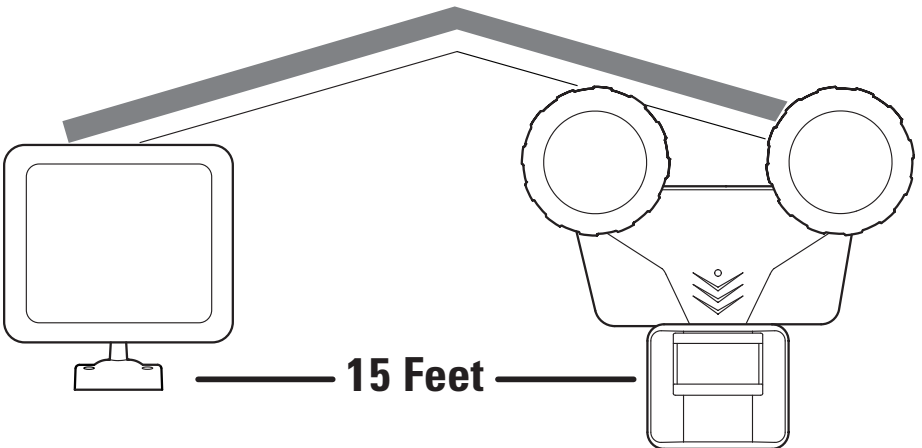


Be aware and consider foliage and building overhangs, which will affect the solar panel's ability to charge.



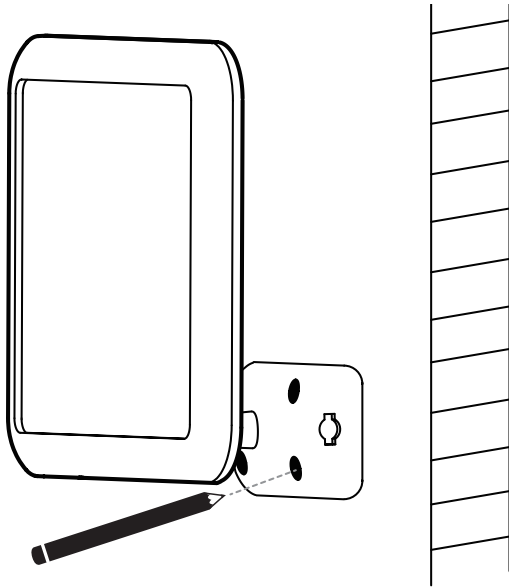
NOTE: Face the solar panel due south for maximum sun exposure.

Select an area where the Motion Light and Solar Panel can be mounted with ease. Consider that the units must be within 15 feet (the length of the power cable from the Solar Panel) to be connected.

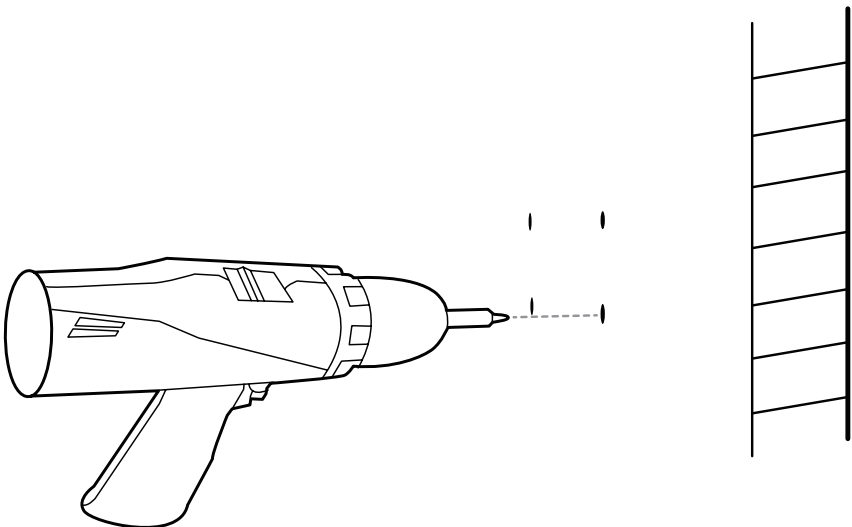


INSTALLING THE SOLAR PANEL

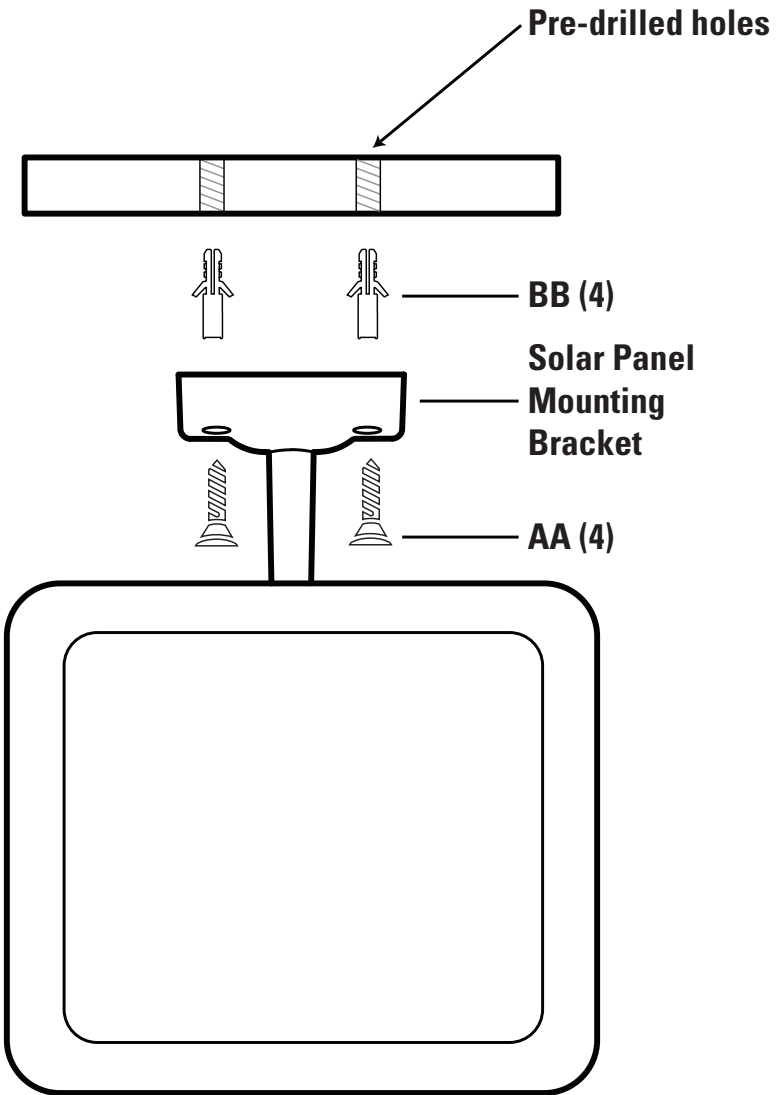
1. Place the solar panel mounting bracket on the desired wall.
2. Mark with a pencil, the four pre-drilled holes in the mounting bracket on the wall.



3. Utilize a standard power drill to create the mounting holes.



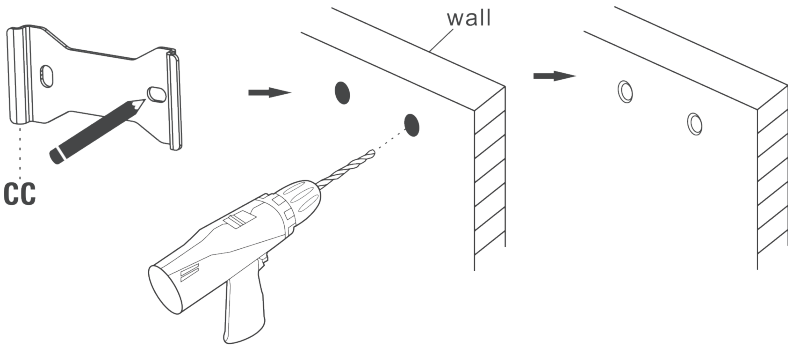
-
4. Place four plugs (BB) in the mounting holes.
 5. Place the solar panel mounting bracket (B) over the four plugs (BB).
 6. Use a Phillips screwdriver to screw in the four screws (AA) into the pre-drilled holes of the mounting bracket.



INSTALLING THE MOTION LIGHT

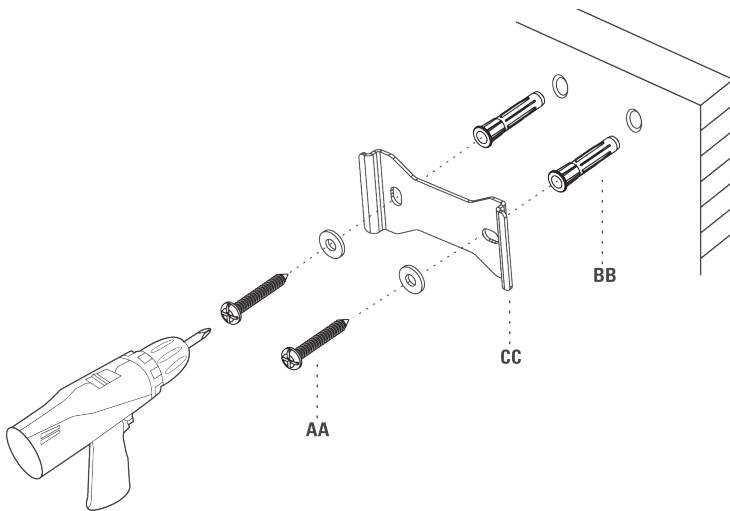
Place the Quick-Clip mounting bracket (CC) on the desired wall.

1. Mark with a pencil, the two pre-drilled holes in the mounting bracket on the wall.



2.

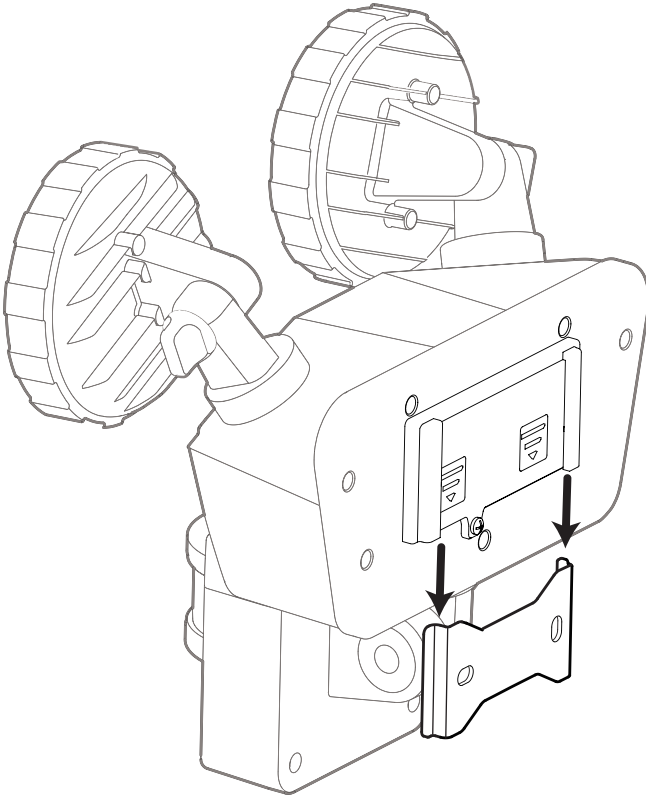
3. Utilize a standard power drill to create the mounting holes.
4. Place two plugs (BB) in the mounting holes.
5. Place two plugs (BB) in the mounting holes.
6. Place the Quick-Clip mounting bracket (CC) over the two plugs (BB).
7. Use a Phillips screwdriver to screw in the two screws (AA) into the pre-drilled holes of the Quick-Clip mounting bracket.



NOTE: The concave side of the Quick-Clip mounting bracket should be facing toward you, with the convex side facing the wall.

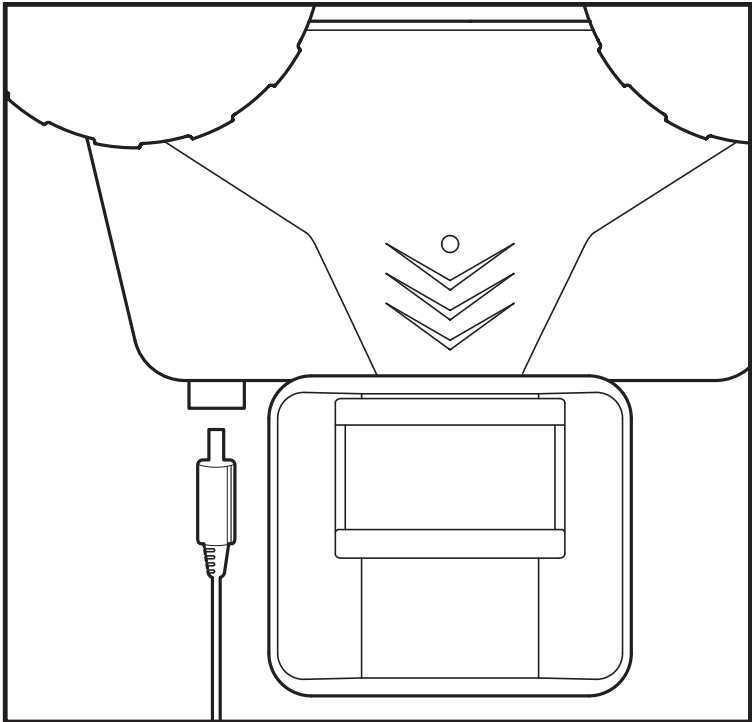
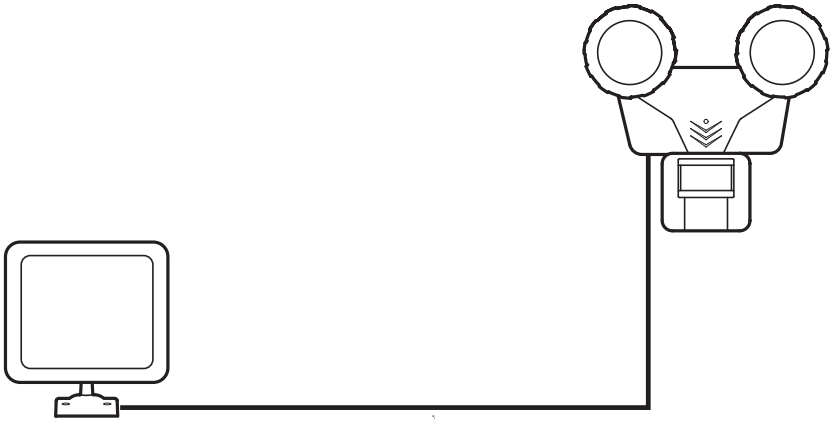
INSTALLING THE MOTION LIGHT

1. Once the Quick-Clip mounting bracket (CC) is installed, ensure all the screws are tightly fastened. The LED Motion Light is now ready to be positioned into place.
2. Slide the light hook down into the Quick-Clip.



CONNECTING THE SOLAR PANEL TO THE MOTION LIGHT

1. Insert the wire plug from the solar panel to the motion light socket located underneath the battery housing.
2. The LED Solar Motion Light is now installed and ready to charge.



CHARGING AND REPLACING THE BATTERY

Before Use

Before the LED Solar Motion Light can operate to its full capacity, the solar panel needs to be in sunlight for 3 days to fully charge the included battery. Charge the unit in the "OFF" position.

Once Charged

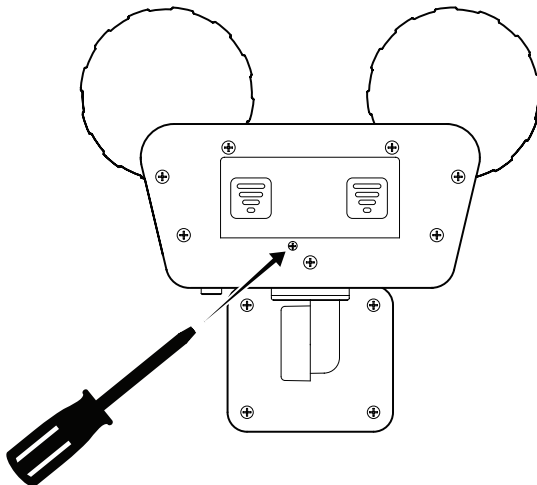
The Motion Light will charge automatically everyday, as long as the Solar Panel is exposed to direct sunlight. Insure that there are no obstructions that place the Solar Panel in a shaded area.

On days that have reduced sunlight, or in some geographical areas that do not have regular sunlight exposure, the battery may take longer to charge, or may not charge at all. Contact a Customer Service Representative, or review the Troubleshooting section if the Motion Light is not powered.

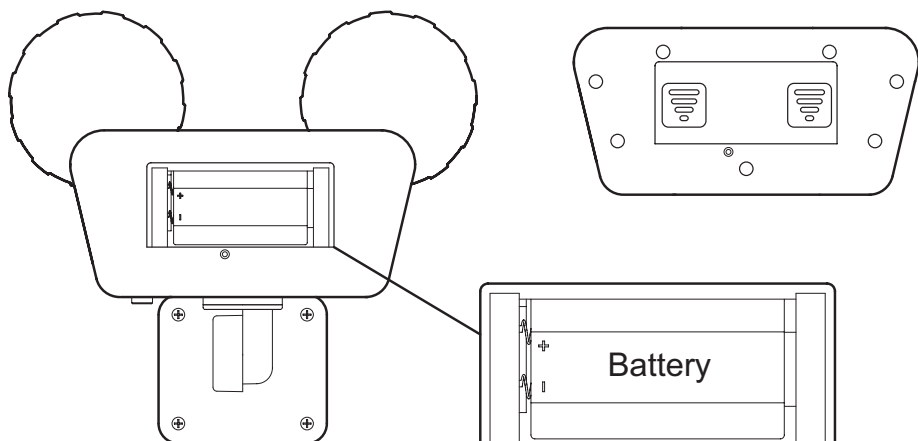
Replacing the Battery

Insure that the battery is not charging before replacing the battery pack. The battery pack is located in back of the light's battery housing.

1. Turn the switch to the "OFF" position. Remove the four screws from the battery housing.



-
2. Separate the battery pack connector. Remove the old battery pack and replace it with a new identical rechargeable battery pack.



3. Replace the cover of the battery housing and secure it with the four screws.

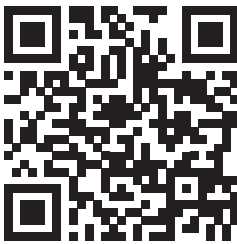
NOTE: Please contact Novolink for battery replacement information.

USING THE NOVOLINK APP

Download the app, named “Novolink”.

After the Motion Light has been installed and changed, download the Novolink app to your smartphone. The Novolink app will allow you to access and control your Motion Light via a Bluetooth connection to the unit.

The app for Novolink can be downloaded from the Apple Store for iPhone, and the Google Play Store for Android-based phones. Below you'll find QR codes that, when scanned, will take you directly to the download pages for each app.



Lastly, you can visit www.novolinkinc.com to download the appropriate App.

Tour the App

The app will guide you through to registering your Motion Light with your phone.

Take a tour of the app features, which includes Settings, adding new products, and accessing information about Novolink products.

CONNECTING YOUR PRODUCT

Scan the QR code below to set the Motion Light

Use the App's built-in QR code scanner to read the appropriate QR code below. This will automatically take you to the product's Settings screen. You can also manually locate and select the product purchased from in the Product Selection Category page of the App.



Motion Light DSB1



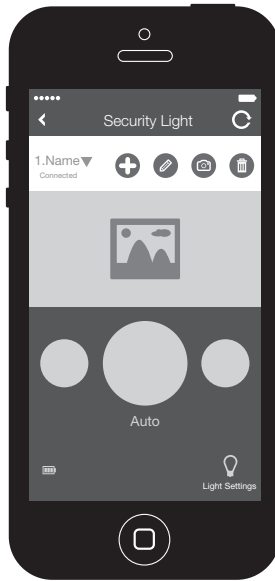
Motion Light DSW1

You will have the opportunity to name the Motion Light in a following popup. A default image will appear in the background, and there will be an option to take a lifestyle picture by tabbing the camera button on the screen.

Connecting to the Motion Light

Your smartphone or other App-enabled device connects to your Motion Light using a Bluetooth connection. The Bluetooth connection will establish itself automatically everytime Light is selected from the App product list. Turn ON the light, and remain close to it until the Bluetooth connection registers as established.

CONTROLLING THE MOTION LIGHT



INITIAL TEST MODE and AUTO MODE

After turning it on, the light will operate under test mode in the first 3 minutes to help ensure light is functioning, regardless of time of day. The light will switch to auto mode automatically after the first 3 minutes.

The light will go into **AUTO** mode directly after the initial test mode. The light will turn on automatically at night when motion is detected by the motion detector head.

USING THE MOTION LIGHT WITH THE APP

IMPORTANT: To control the Motion Light using the App, the switch on the Motion Light must be in the ON position.

With the Motion Light switch in the ON position, the App will default to **AUTO** mode. To manually activate the light, select the **ON** mode in the Light's App Menu. The light will stay on up to 1 hour without motion triggering it.

ECO MODE

If the battery has limited power, the unit will automatically go into **ECO** mode, wherein the light will lower in brightness in order to conserve battery power. The timing of this automatic function can be adjusted in the App.

You can also manually select **ECO** mode if a lower power setting, which will allow the light to function longer, is needed.

MAINTENANCE, CLEANING AND CARE

- Periodically check the connection from the solar panel to the light. Ensure this plug is correctly inserted.
- Some seasonal adjustment of the solar panel may be required to offset shorter charge days during the winter.
- Ensure the solar panel is free from any obstruction such as trees or buildings.
- The solar panel should be cleaned on a regular basis. This will ensure the LED Solar Motion light charges consistently.
- To clean the solar panel, use a damp cotton cloth. Never use any abrasive materials or cleaning products.
- The lens of the LED light should also be cleaned with a damp cotton cloth. This ensures a clear illumination.

TROUBLESHOOTING

Problem	Solution
Where should the solar panel be mounted?	Mount the solar panel in a position that will enable the maximum amount of light to be absorbed. In the Northern Hemisphere this is usually south facing.
Does the solar panel require direct sun to charge?	The solar panel can charge the internal battery in direct and indirect light. For best results, place the panel in direct light to maximize and increase efficiency.
Can additional or extended cable wire for the LED Solar Motion Light be purchased?	At this point there are no extensions available for the cable that connects the light to the solar panel. Any additions to the cable will void the warranty.
Why does the LED Solar Motion Light not illuminate at night?	Log into the App and check the battery status of the unit. If the battery is low, then allow it to fully charge before using the light. If the battery is charged, adjust the LUX in the light's Settings menu.
Where can a new battery for the LED Solar Motion Light be purchased?	Please contact www.novolinkinc.com or call 1-800-933-7188.
Are any parts of the LED Solar Motion Light weatherproof?	All parts of the LED Solar Motion Light are fully weather-proofed and are ideal for any exterior installation.
Why does the LED Solar Motion Light appear to 'strobe' or flash?	Log into the App and check the battery status of the unit. If the battery is low, then allow it to fully charge before using the light. If the battery is charged, adjust the LUX in the light's Settings menu.
Will decorative or street lights have an effect on the LED Solar Motion Light's ability to operate?	Yes, the sensor of the LED Solar Motion Light is light sensitive. For nighttime usage, ensure no other light activates the motion sensor.
No Bluetooth Connection	<ul style="list-style-type: none"> • Check the connection. • Check the range from phone to Motion Light. Attempt to stay within 25 feet for a good connection.

Questions, problems, missing parts?
We're ready to help. Call Novolink Customer Service
9 a.m. - 5 p.m., Monday-Friday

1-800-933-7188

NOVOLINKINC.COM