



**PASCO Specialty & Mfg., Inc.**

11156 Wright Road  
Lynwood, CA 90262  
Phone (310) 537-7782  
Fax (800) 737-2726

7529 Perryman Court  
Curtis Bay, MD 21226  
Phone (410) 360-5010  
Fax (877) 377-6466

www.pascospecialty.com

**TECHNICAL SPECIFICATION SUBMITTAL**

Personal Shower for use in outdoor exposed installations.

Job Name \_\_\_\_\_ Date \_\_\_\_\_

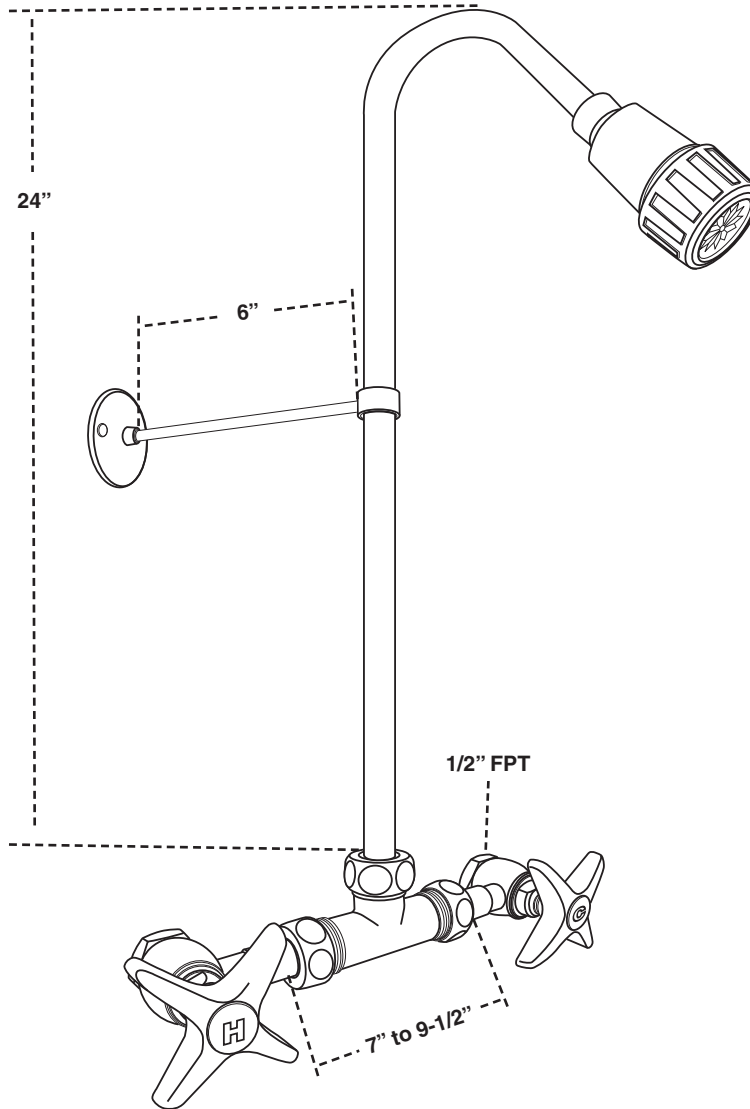
Model Specified \_\_\_\_\_ Quantity \_\_\_\_\_

Customer/Wholesaler \_\_\_\_\_

Contractor \_\_\_\_\_

Architect/Engineer \_\_\_\_\_

**Engineering Specification: Chrome plated brass personal shower for use in exposed installation locations such as swimming pools, campgrounds, lakes, beaches or rivers.**



**67252 - Exposed Shower**

- 3/8" x 24" cp brass riser pipe
- Low flow adjustable shower head with 3/8" cp brass inlet
- 6" cp brass adjustable wall bracket and riser pipe loop
- Valve body is adjustable from 7" to 9-1/2"
- 1/2" FPT valve body inlets