

## FLOOD LIGHT

## SPEC SHEET



Catalog No. : PWR50-PC-4K-BZ

Type : Flood Light

Project Name :

Location :

Qty :

Date :



Probrite's Architectural Series LED Outdoor Security Floodlight with Disk-to-Dawn photocell is packaged in a robust and stunningly designed die-cast aluminum housing featuring the latest high-performance LED chips providing 85% energy savings.

### APPLICATIONS

The wide mounting flexibility makes this the ideal light for landscape lighting, building facade and signage, entry ways, garages, corners, building perimeters, architectural wall lighting, loading bays and general illumination.



### PRODUCT PERFORMANCE AT A GLANCE

SYSTEM WATTAGE	LED WATTAGE	LUMENS	LPW	CRI	REPLACES (MH)
50W	45W	5007 lm	101 lm/w	≥80	150W

### HOUSING

Single piece die cast aluminum housing, which also acts as a heat sink, designed to ensure high efficacy and abundant cooling by natural convection passive airflow to maximize LEDs and driver performance and life.

### IP RATING & LISTINGS

LED light engine is weather proof rated IP66.

DLC, cULus, FCC Certified

### OPTICS

Wide beam flood distribution. Optimized to target lumens evenly on target and provide superior lighting uniformity. LEDs and refractor are protected by a heat and impact resistant tempered glass lens.

### MOUNTING

Integral die cast aluminum adjustable knuckle with 1/2" NPS male threads, made of a low copper-content aluminum alloy for resistance to corrosion. Has locking teeth and bolt to lock in aiming angle. Ships fully assembled, ready to install.

Mounts to most domed junction box cover plates with center hole or most standard landscape posts.

Can be mounted in upward or downward orientation.

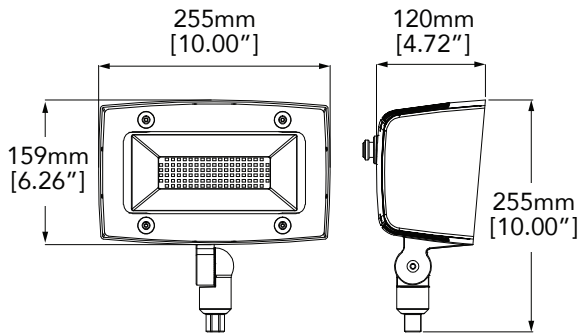
### FINISH

Fade, weather, and abrasion resistant, electrostatically applied, thermally cured, triglycidal isocyanurate (TGIC) textured polyester powdercoat finish. Paint is dark bronze.

### WARRANTY

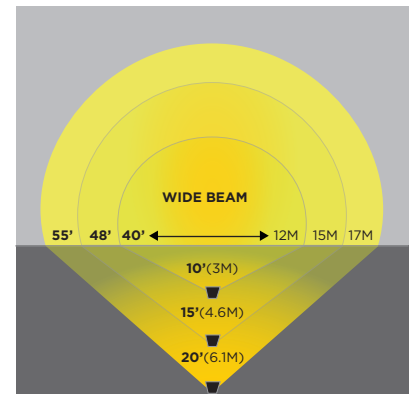
Fixture is covered by a 5-year limited warranty. See [probrite.com/warranty](http://probrite.com/warranty) for details.

## PRODUCT LINE DRAWING



SUGGESTED MOUNTING HEIGHT:  
15-30FT. (4.6-9.1M)

## 3D PHOTOMETRIC VIEW

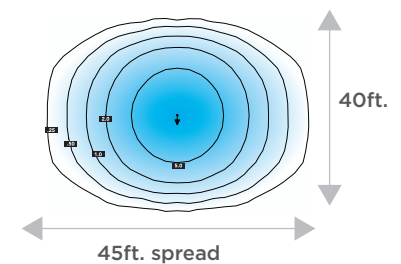


## PRODUCT SPECIFICATIONS

Product Dimensions	: 10"×10"×4.72
Weight	: 7.43lbs
Lumens	: 5007
System Wattage	: 50w
LED Wattage	: 45w
Efficacy	: 101
CRI	: 80
Replaces (MH)	: 150w
Mounting	: Knuckle
Frequency	: 50-60Hz
THD (Total Harmonic Distortion)	: <20%
PF (Power Factor)	: >0.9
Ambient Operating Temperature	: (-30) - 40°C
Input Voltage	: 120-277V
LED Chip	: HL-AT-2835FVW-S1-08-PCT-HR3
Photocell	: Yes
Driver	: 0-10V Dimming
Standard Lifetime	: L70 >50,000hrs
Standard Warranty	: 5yrs
Water Proofing Grade	: IP66
CCT	: 4000K
Certifications	: DLC, UL/cUL

## 2D PHOTOMETRIC VIEW

MOUNTED AT 10FT.



## APPLICATION

