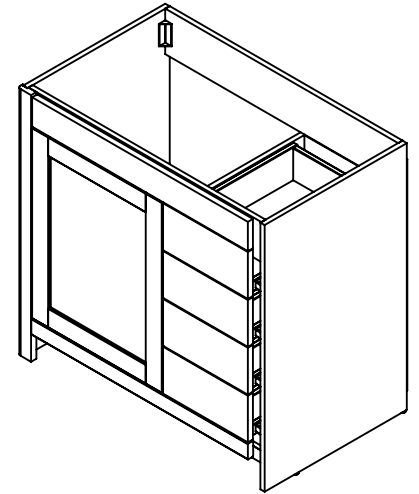
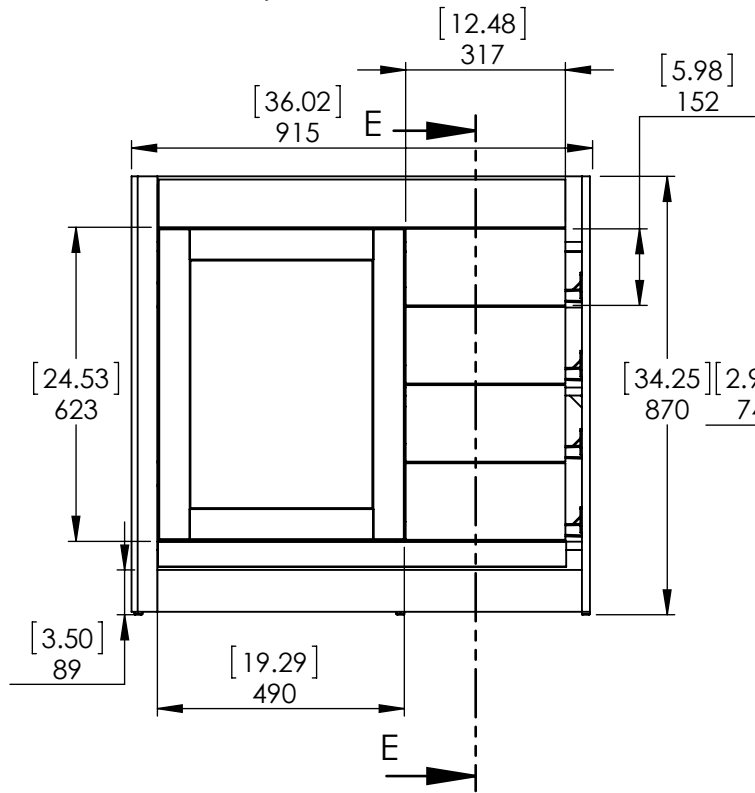


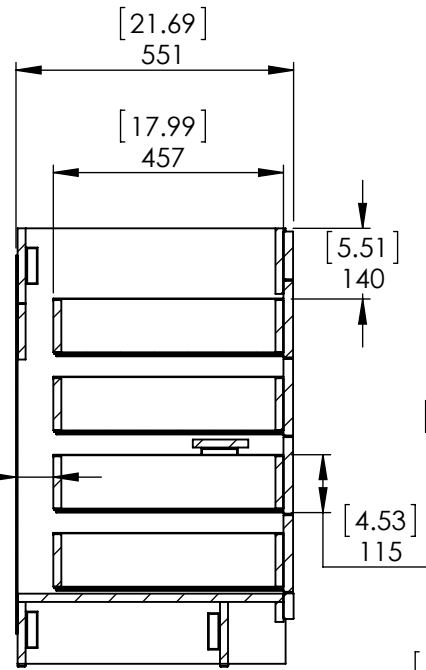
Top view



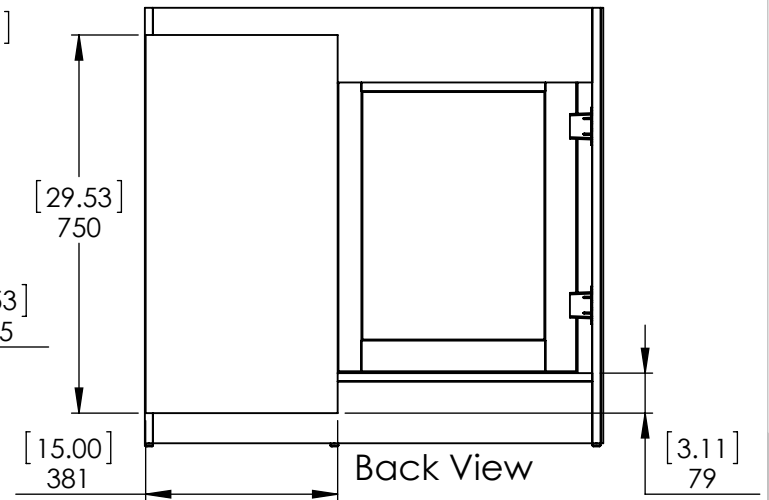
Isometric View



Frontal View



SECTION E-E  
Scale 1 : 15



Back View

ITEM: **WT36-ST**  
**WT36-WH**  
**WT36-CH**  
**WT36-CR**

REV  
**A**

NAME: **Westcourt 36in Vanity - Sterling / White/ Chocolate / Crema**

MATERIAL: **German Beech 4/4 Laminated Particle Board**

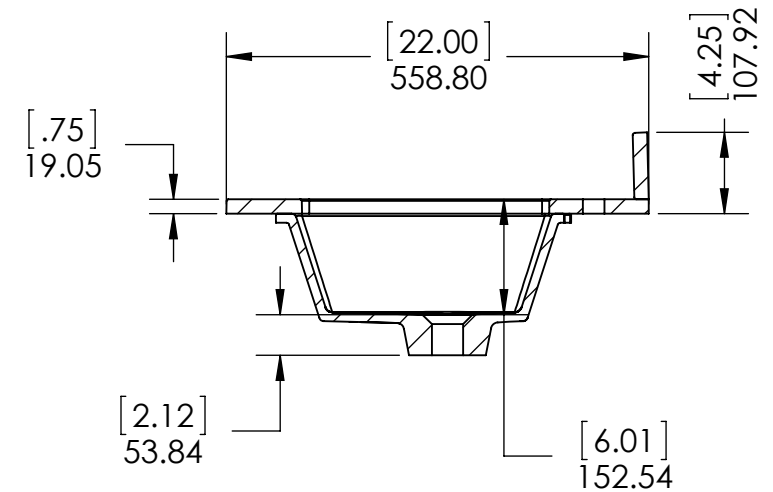
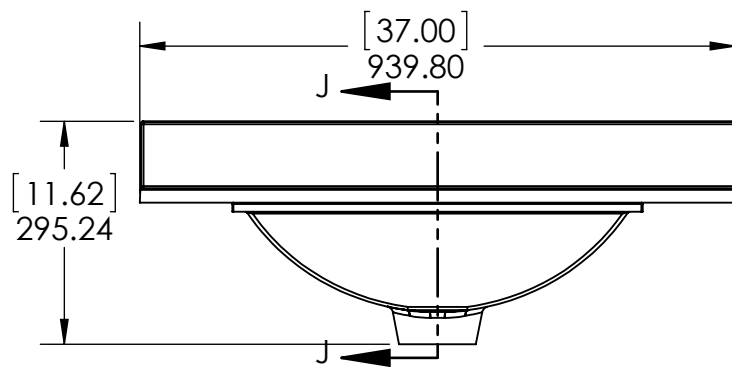
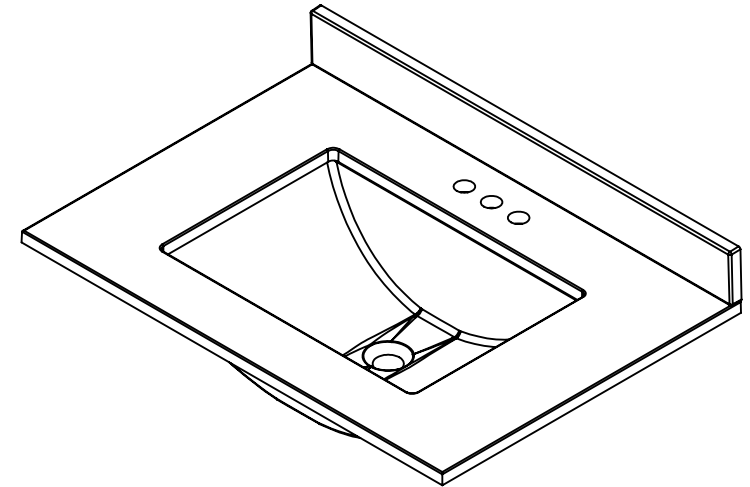
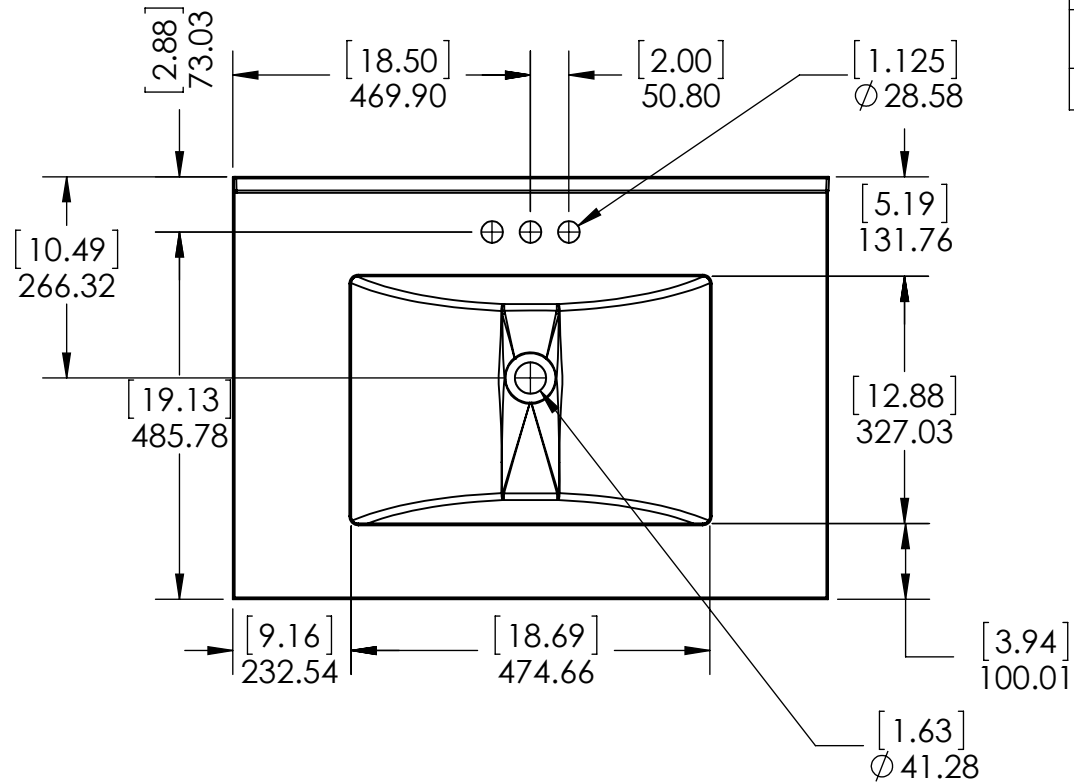
**Westcourt 36in**



**Propiedad y Confidencialidad**  
La información contenida en este dibujo es puramente propiedad de *Woodcrafters Home Products LLC*. Queda prohibida cualquier reproducción parcial o total sin el permiso por escrito de *Woodcrafters Home Product LLC*.

DRW: JCNV 03/28/18  
REV: ING 03/28/18  
APP: R&D 03/28/18  
SCALE: 1:20  
MODEL:

Rev #	Approved by	Change
0	R. Rubio	Released
1	O. Razo	New model added



**PROPRIETARY AND CONFIDENTIAL**  
 THE INFORMATION CONTAINED IN THIS DRAWING IS THE SOLE PROPERTY OF WOODCRAFTERS. ANY REPRODUCTION IN PART OR AS A WHOLE WITHOUT THE WRITTEN PERMISSION OF WOODCRAFTERS IS PROHIBITED.

UNLESS OTHERWISE SPECIFIED  
 DIMENSIONS ARE IN MM. AND (INCHES)  
 TOLERANCES ARE  
 +0.125 [3.175] -0.125 [-3.175]  
 SCALE:1:10

	NAME	DATE
DRAWN	R. Rubio	08/22/16
CHECKED	R. Rubio	08/22/16
ENG APPR.	R. Rubio	08/22/16
MFG APPR.	C. Leal	08/22/16

**Wood Crafters**  
 Vtop Stone Effect, Rect 37x22  
 SHEET 1 OF 2  
 REV. 1

ID	Description	Technology	Status
SER37-CO	37 in. Stone Effects Vanity Top in Cold Fusion with White Basin	Stone Effect	Approved for production
SER37-DN	37 in. Stone Effects Vanity Top in Dune with White Basin	Stone Effect	Approved for production
SER37-MI	37 in. Stone Effects Vanity Top in Mayan Ivory with White Basin	Stone Effect	Approved for production
SER37-RU	37 in. Stone Effects Vanity Top in Rustic Gold with White Basin	Stone Effect	Approved for production
SER37-WM	37 in. Stone Effects Vanity Top in Winter Mist with White Basin	Stone Effect	Approved for production
SE37R-PR	37 in. Stone Effects Vanity Top in Pulsar White Basin	Stone Effect	Approved for production

Rev #	Approved by	Change
0	R. Rubio	Released
1	O. Razo	New model added

**PROPRIETARY AND CONFIDENTIAL**  
 THE INFORMATION CONTAINED IN THIS DRAWING IS THE SOLE PROPERTY OF WOODCRAFTERS. ANY REPRODUCTION IN PART OR AS A WHOLE WITHOUT THE WRITTEN PERMISSION OF WOODCRAFTERS IS PROHIBITED.

UNLESS OTHERWISE SPECIFIED  
 DIMENSIONS ARE IN MM. AND [INCHES]  
 TOLERANCES ARE  
 + 0.125 [3.175] - 0.125 [-3.175]  
 SCALE:1:10

	NAME	DATE
DRAWN	R. Rubio	08/22/16
CHECKED	R. Rubio	08/22/16
ENG APPR.	R. Rubio	08/22/16
MFG APPR.	C. Leal	08/22/16

  
**Wood Crafters**

SIZE: **A** DWG. NO. *Vtop Stone Effect, Rect 37x22* SHEET 2 OF 2  
 REV: **1**