

INSTALLATION INSTRUCTIONS

Item#P1785-722 (New. 02/11/2019)

READ AND SAVE THESE INSTRUCTIONS

WARNING! SHUT POWER OFF AT FUSE OR CIRCUIT BREAKER.

AVERTISSEMENT! COUPER LE COURANT AU NIVEAU DES FUSIBLES OU DU DISJONCTEUR.

PREPARATION (Fig.1)

1. Shut off power at the fuse box or circuit breaker box and remove the old fixture including the mounting hardware.
2. Carefully unpack your new fixture and lay out all the parts in a clean area. Take care not to misplace any small parts necessary for installation.
3. Remove the screws (G) and mounting plate (A).
4. Position the mounting plate (A) on the ceiling and mark the location of the two mounting holes. Drill the holes on the ceiling and insert the plastic anchors (E).
5. Attach the mounting plate (A) to the junction box (not included) using mounting screws (B) (Size: #8-32N*L0.5"). Note: The side of the mounting plate marked "GND" must face out.
6. Tighten the wood screws (C), through the holes on the mounting plate (A), into the plastic anchors (E).
7. Determine the desired hanging height. Cut the cord (L), if necessary, leaving an additional 5" to allow for the electrical connections.
8. Secure the cord (L) to the metal bushing (I) by tightening screw (J).
9. Carefully cut and remove approximately 4" of the outer sheathing from the cord (L) and strip 1/2" of the wire to expose the copper strands.
10. Adjust the cables (H) until the fixture body is horizontal when hanging. Push the button (K) at the outside face of the canopy to extend cable. Pulling the cable without pushing the button (K) can restrict the cable. Cut excess cable if necessary.
11. The support cable (M) is provided to support the weight of the fixture while wiring. Align the fixture to mounting plate (A) and attach hook (N) on the end of support cable (M) into a slot located on mounting plate (A). Carefully allow the support cable (M) to support the weight of the fixture while wiring (Fig.1).

CONNECTING THE WIRES (Fig.2)

12. Connect the electrical wires as shown in Fig.2 making sure that all wire connectors are secured. If your outlet box has a ground wire (green or bare copper), connect the fixture's ground wire to it. Otherwise, connect the fixture's ground wire directly to the mounting plate (A) using the green screw provided. Tuck wires neatly back into the junction box.

FINISHING THE INSTALLATION (FIG.1)

13. Secure the canopy (D) on the mounting plate (A) by using screws (G).
14. Install (16) sixteen candelabra base bulbs (F) up to 60 watts each or CFL or LED equivalent (not included) in accordance with the fixture specification — **DO NOT EXCEED THE MAXIMUM WATTAGE RATING! (NE PAS DEPASSER LA PUISSANCE NOMINALE MAXIMALE!)**.

Fig. 1

Set#A-021-246120
-Mounting Plate
-Ground Screw
-Mounting Screw*2

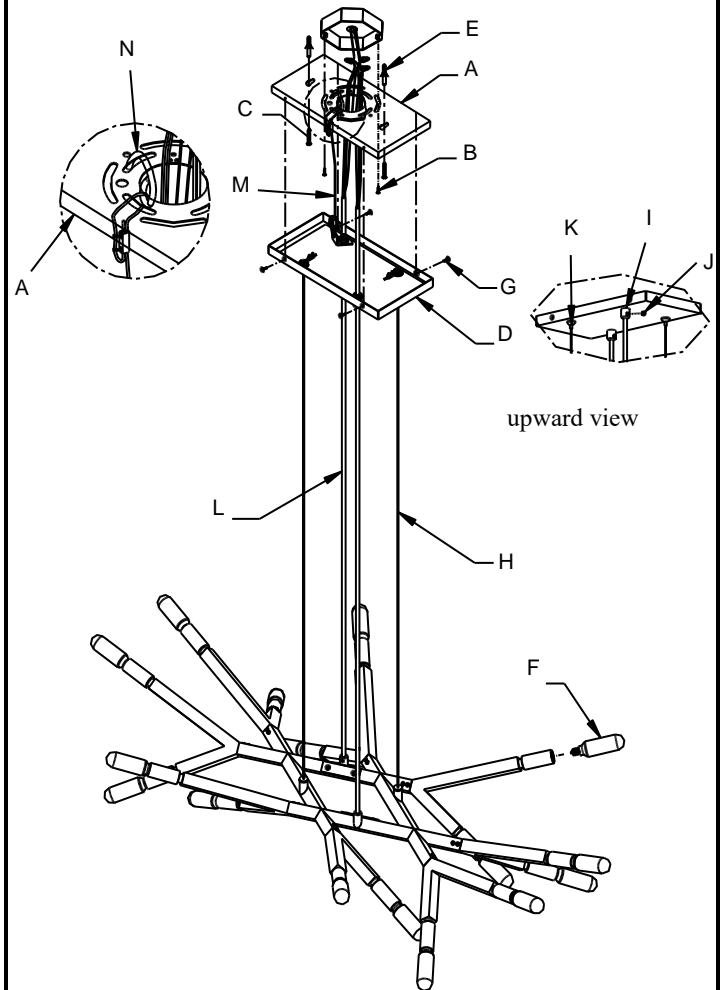
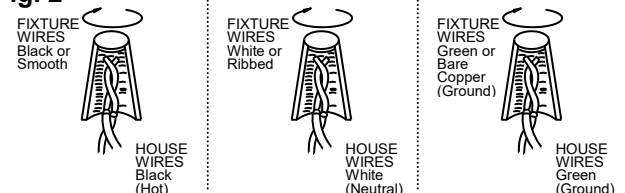


Fig. 2



Note: Illustration (Fig.1) on this manual is for installation purposes only. It may or may not be identical to the fixture purchased.

Your installation is now complete. Return power and test the fixture.

LA-3092E

