

# ELECTRIC OVEN

## SPECIFICATIONS

MODEL# COS-C51EIX



### FEATURES

- DESIGNED FOR BUILT-IN MOUNTING
- 8 OVEN FUNCTIONS
- TURBO TRUE EUROPEAN CONVECTION
- 2.5 CU. FT. CAPACITY
- TRIPLE LAYER GLASS DOOR
- CAVITY COOLING VENTILATION SYSTEM
- AUTO-OFF FEATURE
- DRIP PAN INCLUDED

The perfect piece for any contemporary kitchen. C51EIX is a single electric oven powered by a cavity cooling ventilation system. 25-Watt interior light will illuminate your cooking experience.

SEE PAGE 2 FOR DIMENSIONS



Product Dimension	24 Inches
Oven Capacity	2.5 cu. ft.
Installation Type	Built-In
Control Type	Push Button Knob
Material	Stainless Steel
Electrical Rating	240V / 60Hz

Vent Style	Cavity Cooling Oven Ventilation
Warranty	5-Year Limited Parts
Additional	Baking Tray, 2 Racks, Installation Kit, User Manual

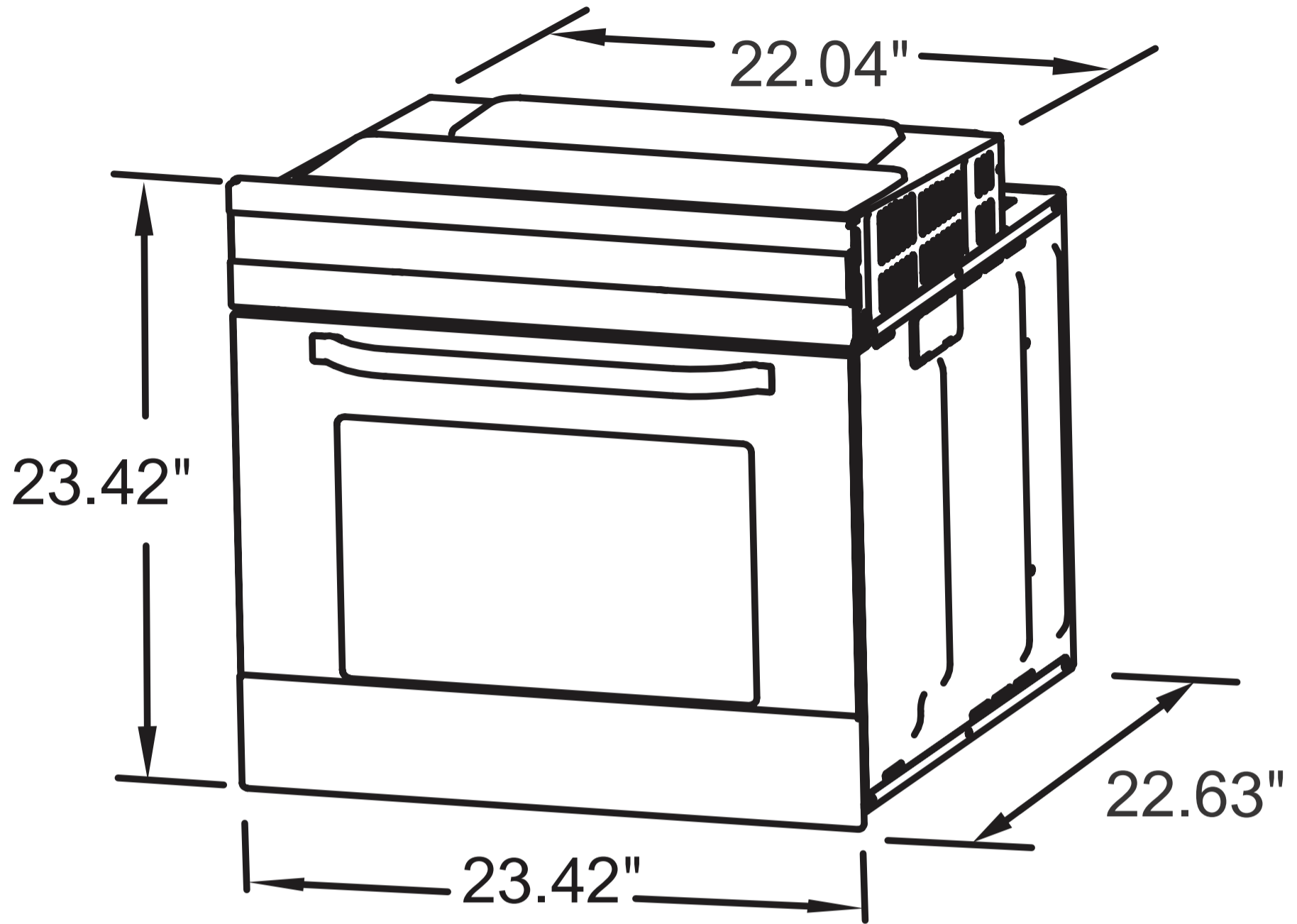


# ELECTRIC OVEN

## DIMENSIONS

MODEL# COS-C51EIX

OVEN



CUTOUT

