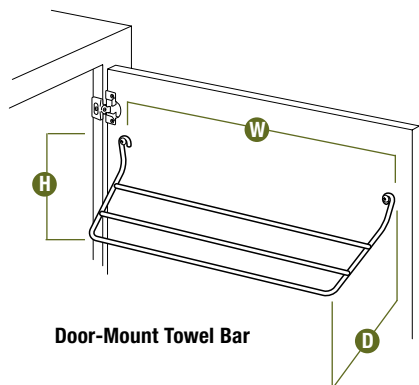


Door-Mount Towel Bar

- KV Eco-Friendly Frosted Nickel finish or White
- Three-tiered Door-Mount Towel Bar installs easily with two screws and offers a simple solution to storing and accessing dish towels



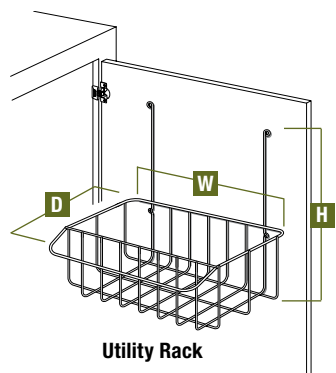
Door-Mount Towel Bar



TB-W

Utility Rack

- Wire basket with attached towel rack is ideal for storing cleaning supplies in sink base cabinets



Utility Rack



UT9-W

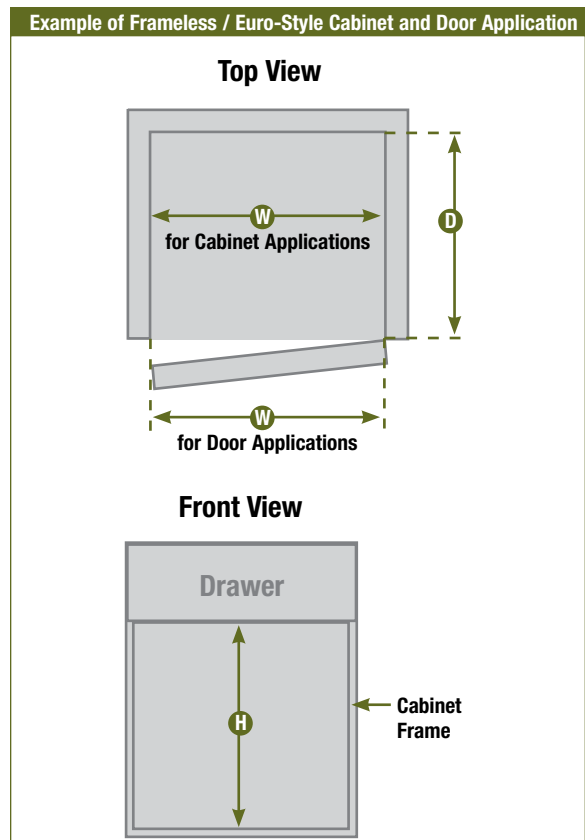
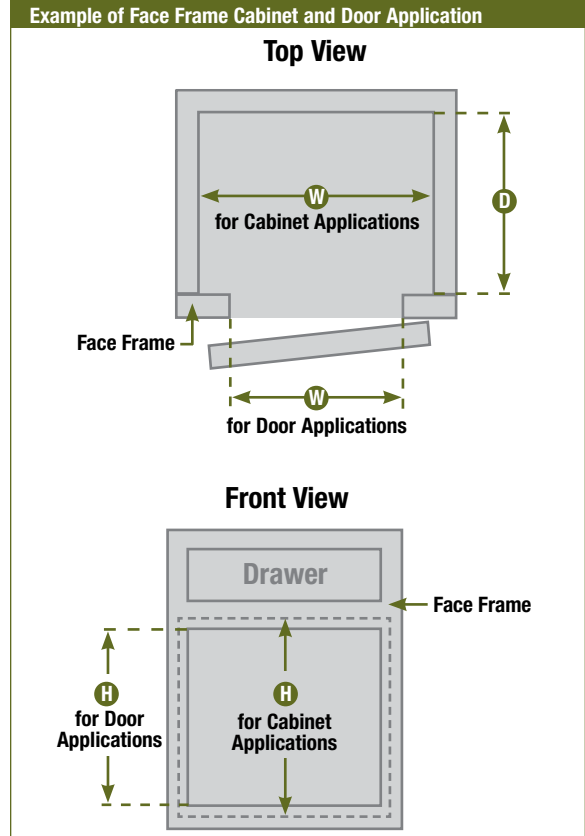
See page 71 for recommended cabinet dimensions and clearances.

Stock #	Assembled Product Dimensions			Finish	Units per Carton	Weight per Carton
	Width W	Height H	Depth D			
DOOR-MOUNT TOWEL BAR						
TB-1-W	12-7/16" [316 mm]	5-1/2" [140 mm]	3-3/8" [86 mm]	White	1	0.2 lbs. [0.1 kg.]
TB-W	12-7/16" [316 mm]	5-1/2" [140 mm]	3-3/8" [86 mm]	White	10	2.9 lbs. [1.3 kg.]
TB-FN	12-7/16" [316 mm]	5-1/2" [140 mm]	3-3/8" [86 mm]	Frosted Nickel*	10	2.9 lbs. [1.3 kg.]
UTILITY RACK						
UT9-W	9-9/16" [243 mm]	9" [229 mm]	5-15/16" [151 mm]	White	10	9.3 lbs. [4.2 kg.]

* Eco-Friendly. See page 4 for more information.

Cabinet Dimensions

Stock #	Minimum Interior Cabinet OR Door Opening Dimensions		
	Width W	Height H	Depth D
WINE RACKS			
WR23.62-FN	23-7/8" [606 mm]	5-1/16" [129 mm]	–
WR29.62-FN	29-7/8" [759 mm]	5-1/16" [129 mm]	–
WR35.62-FN	35-7/8" [911 mm]	5-1/16" [129 mm]	–
WR41.62-FN	41-7/8" [1,064 mm]	5-1/16" [129 mm]	–
STEMWARE HOLDERS			
ST11.50-B	4-1/2" [114 mm]	2-1/2" [64 mm]	11-13/16" [300 mm]
ST11.50-FN	4-1/2" [114 mm]	2-1/2" [64 mm]	11-13/16" [300 mm]
SPICE RACKS			
SR12-FN	9-5/8" [244 mm]	20-1/2" [521 mm]	4-1/8" [105 mm]
SR12-1-FN	9-5/8" [244 mm]	20-1/2" [521 mm]	4-1/8" [105 mm]
SR15-FN	12-3/8" [314 mm]	20-1/2" [521 mm]	4-1/8" [105 mm]
SR15-1-FN	12-3/8" [314 mm]	20-1/2" [521 mm]	4-1/8" [105 mm]
SR18-FN	15" [381 mm]	20-1/2" [521 mm]	4-1/8" [105 mm]
SR18-1-FN	15" [381 mm]	20-1/2" [521 mm]	4-1/8" [105 mm]
SR12-W	9-5/8" [244 mm]	20-1/2" [521 mm]	4-1/8" [105 mm]
SR12-1-W	9-5/8" [244 mm]	20-1/2" [521 mm]	4-1/8" [105 mm]
SR15-W	12-3/8" [314 mm]	20-1/2" [521 mm]	4-1/8" [105 mm]
SR15-1-W	12-3/8" [314 mm]	20-1/2" [521 mm]	4-1/8" [105 mm]
SR18-W	15" [381 mm]	20-1/2" [521 mm]	4-1/8" [105 mm]
SR18-1-W	15" [381 mm]	20-1/2" [521 mm]	4-1/8" [105 mm]
DOOR-MOUNT TOWEL BARS			
TB-1-W	12-15/16" [329 mm]	6" [152 mm]	3-5/8" [92 mm]
TB-FN	12-15/16" [329 mm]	6" [152 mm]	3-5/8" [92 mm]
TB-W	12-15/16" [329 mm]	6" [152 mm]	3-5/8" [92 mm]
UTILITY RACK			
UT9-W	11-3/4" [298 mm]	9-1/2" [241 mm]	6-3/16" [157 mm]
TRAY DIVIDERS			
TD12-1-FN	–	12-3/8" [314 mm]	20-1/8" [511 mm]
TD12-FN	–	12-3/8" [314mm]	20-1/8" [511 mm]
TD18-1-FN	–	18-3/8" [467mm]	20-1/8" [511 mm]
TD18-FN	–	18-3/8" [467mm]	20-1/8" [511 mm]
TD12-1-W	–	12-3/8" [314mm]	20-1/8" [511 mm]
TD12-W	–	12-3/8" [314mm]	20-1/8" [511 mm]
TD18-1-W	–	18-3/8" [467mm]	20-1/8" [511 mm]
TD18-W	–	18-3/8" [467mm]	20-1/8" [511 mm]
IRON HOLDER			
IH-FN	8-5/8" [219 mm]	length of iron + 1-1/2" [38 mm]	height of iron + 1" [25 mm]
GROOMING RACK			
GR12-FN	11-1/4" [286 mm]	17" [432 mm]	5-1/2" [140 mm]
TOILET PAPER HOLDER			
TPH-531-W	7-7/16" [189 mm]	16-1/2" [419 mm]	5-3/4" [146 mm]



Dimensions shown are recommended minimum cabinet and door dimensions.