

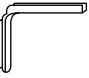













erod™ motorized drapery hardware

CENTER OPEN CONFIGURATION

BEFORE INSTALLATION, UNPACK BOX AND LAY OUT CONTENTS:

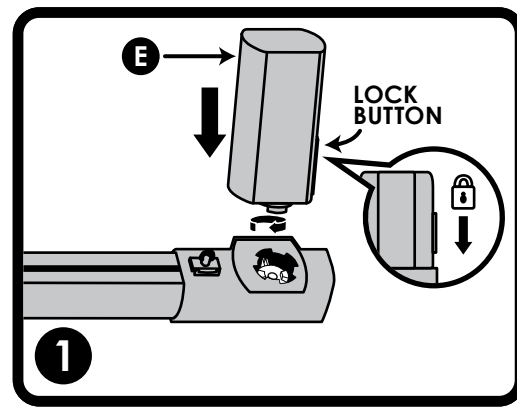
- A**  X 1 erod™
- B**  X 4 Mounting Plate
- C**  X 4 "L" Support
- D**  X 2 Center Bracket Clamp
- E**  X 1 Motor Assembly
- F**  X 1 Remote Control
- G**  X 8 Mounting Screw
- H**  X 1 Wall Adapter w/ 12 ft Cord
- I**  X 1 Remote Sensor (attached to motor)
- J**  X 2 Rotating Side Bracket (attached to rod)
- K**  X 4 Bracket Set Screw
- L**  X 10 Cord Guides
- M**  X 1 Rod Set Screw
- O**  X 28 Clips

Care Instructions: Clean with a soft cloth. Do not use abrasive cleaning agents, solvents, or polishes as they may damage the finish.

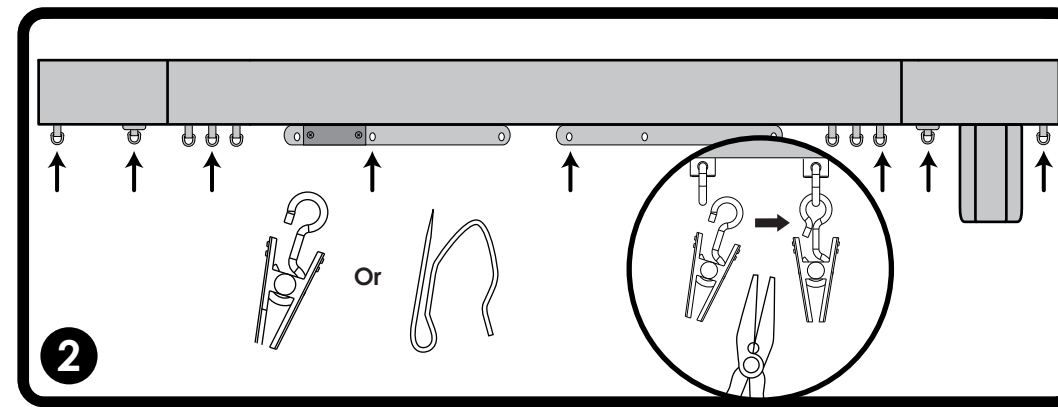
Estimated Assembly Time: Approximately 60 minutes

Tools Needed (not included): Drill with 1/16 in drill bit, Needle nose pliers, Phillips screwdriver, Level (recommended)

How to Measure: To determine the appropriate drapery rod length, use a metal measuring tape to gauge the outside width of the window to be covered. Align ends of erod™ to outer edges of window.

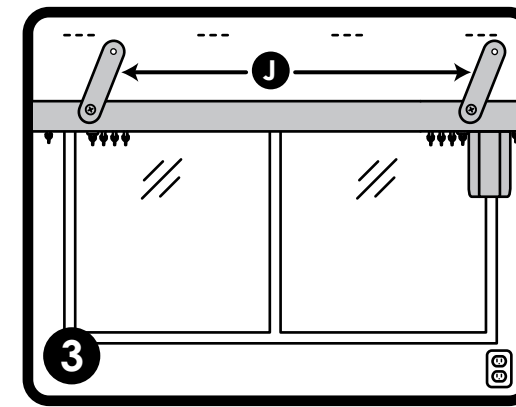


Lay erod™ on a flat surface with keyed slot facing upward. Insert motor assembly into keyed slot on rod end. Twist until gears are engaged and motor is seated into erod™ (lock button should align with stationary clip on end of rod). Slide lock button towards rod to lock motor assembly into place.



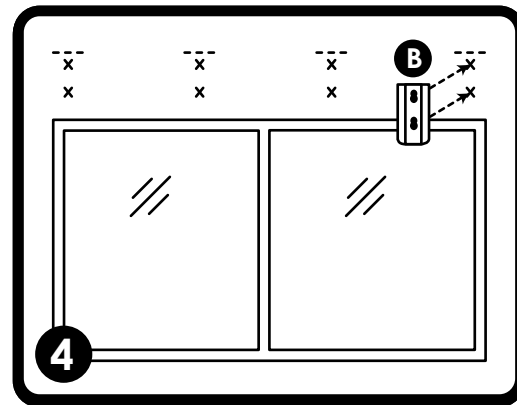
Clips (included) or pin hooks (not included) can be used with erod™ to hang drapery. Attach clips or pin hooks to erod™ on all loops and all holes on both carriers. Pinch closed with needle nose pliers.

Find closest electrical outlet to window to determine which side of window to orient motor. **Rod can be flipped to orient motor to left or right side to be closest to outlet.** (Battery Power Kit sold separately for use without wall adaptor.)

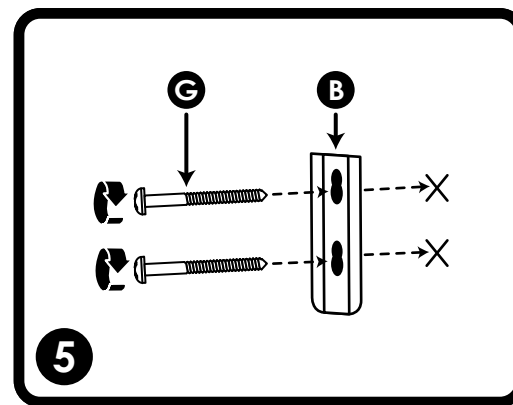


Extend rotating side brackets on erod™ toward wall. Align ends of erod™ to outer edges of window. Using level and rotating side brackets, mark desired side and center mounting plate locations.

Make sure to locate wall studs to attach brackets.

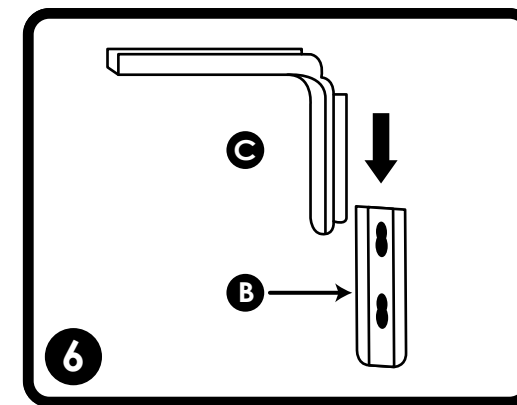


Align top of mounting plates to marked positions and mark hole positions. Make sure all 4 mounting plates are at the same horizontal level. (NOTE: Some installations require special attachment methods and anchors. Consult a professional to purchase parts for correct mounting methods.)

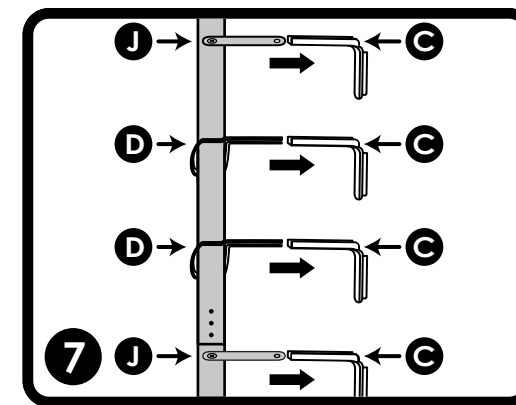


Drill pilot holes with 1/16 inch drill bit. Attach mounting plates to wall using screws provided.

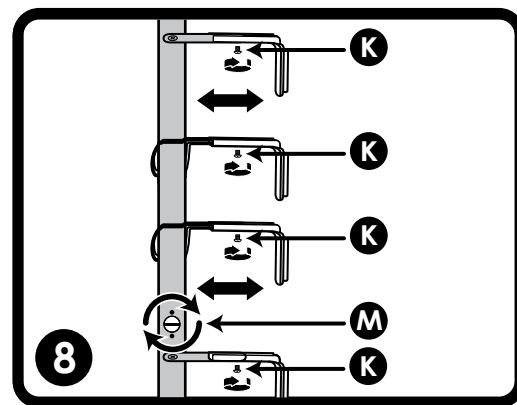
Current brackets are designed for wall-stud installations and for a maximum of 20 lbs of drapery panels. Please consult a professional for alternate installations. Additional brackets are available for purchase.



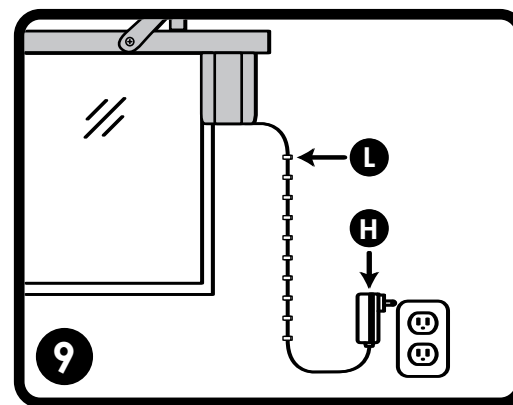
Slide "L" supports onto mounting plates.



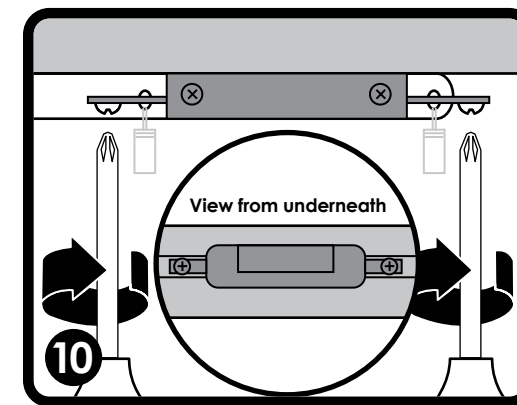
Place center bracket clamps near middle of erod™. Insert all four brackets into "L" supports on wall. Pinch center clamps tight onto rod and lock into place with top set screw.



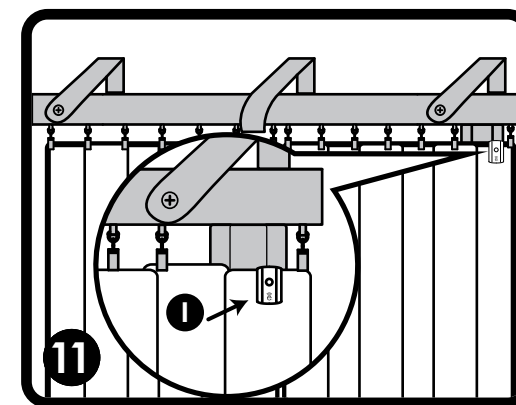
Determine the projection of the erod™ from the wall, then insert and tighten bracket set screws on bottom of all 4 brackets to secure. Place rod set screw in middle hole (of the three on top of rod). Use a coin to tighten rod set screw.



Plug wall adaptor into electrical outlet. Use cord guides to secure cord to wall.



To set center drapery position, Press <I> button to open erod™, to its outermost position (only one carrier will move). Slide loose carrier to outermost position (away from the motor). Tighten screws on underside of carrier to lock in place. Press >I< button and close erod™ to its center position. The center drapery position on your erod™ is now set.



In the closed position, start from each end of erod™, attach drapery panel(s) using clips (or hang drapes with pins). Work your way towards the center of rod, distributing clips evenly as you go. Overlap panels for privacy. **(Additional roller clips sold separately.)** Clip remote sensor to front of panel (hiding cord behind drapery).

FOR QUESTIONS OR CONCERNS, CALL CUSTOMER SERVICE AT 1-877-695-8268, 8 AM-5 PM, PST, MONDAY-FRIDAY.