

Shark

CORDLESS

SV75_N 14

SV75Z_N 14

SV75SP_N 14



IMPORTANT: To register your Shark® Cordless Hand Vacuum, visit our website www.sharkclean.com.

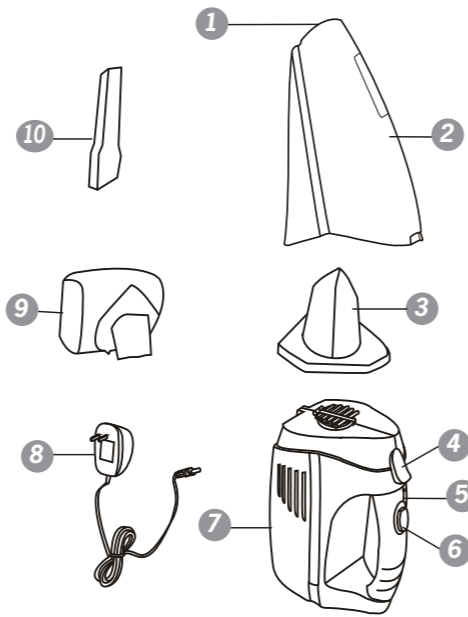
IMPORTANT SAFETY INSTRUCTIONS

READ ALL INSTRUCTIONS BEFORE USING YOUR CORDLESS HAND VACUUM

When using your hand vacuum, basic safety precautions should always be followed, including the following:

WARNING: TO REDUCE THE RISK OF FIRE, ELECTRIC SHOCK OR INJURY:

1. **DO NOT** use, charge or store the hand vacuum outdoors or on wet surfaces. Store the cordless vacuum indoors. Put vacuum away after use to prevent accidents.
2. Use only as described in this manual.
3. **DO NOT** allow to be used as a toy. Close attention is necessary when used by or near children. **DO NOT** leave vacuum unattended while in use.
4. **DO NOT** handle plug, charger or appliance with wet hands.
5. Fully assemble hand vacuum before operating. **DO NOT** use hand vacuum cleaner without dust cup filter in place. Use only on dry, indoor surfaces.
6. **DO NOT** use charger with an extension cord. Plug charger directly into an electrical outlet. Use charger only in a standard electrical outlet.
7. **DO NOT** attempt to use the charger with any other product nor attempt to charge this product with another charger. **Use only the charger model ZD6W210024US supplied with this appliance.**
8. **DO NOT** use charger with damaged cord or plug. If charger or hand vacuum has been dropped, damaged, left outdoors, or dropped in water, return it to EURO-PRO Operating LLC for examination, repair or adjustment.
9. **DO NOT** abuse the charger cord, pull cord around sharp edges or corners or close door on cord. **Never** carry the charger by the cord or yank to disconnect from an outlet; instead grasp the plug and pull to disconnect. Keep charger cord away from heated surfaces.
10. Use only manufacturer's recommended attachments. Always turn off this appliance before connecting or disconnecting the motorized nozzle. **DO NOT** attempt to change accessories while unit is running.
11. Use extra care when cleaning on stairs.
12. Keep hair, loose clothing, fingers, and all parts of body away from openings and moving parts.
13. **DO NOT** put any objects into openings. **DO NOT** use with any opening blocked; keep free of dust, lint, hair and anything that may reduce air flow.
14. **DO NOT** use to pick up flammable or combustible liquids such as gasoline or use in areas where they may be present. **DO NOT** pick up anything that is burning or smoking, such as cigarettes, matches, or hot ashes.
15. This product includes rechargeable Nickel Metal Hydride batteries. Batteries must be recycled or disposed of properly and safely. The battery must be removed from the appliance before it is discarded. The appliance must be disconnected from the supply when removing the battery. **Do not incinerate batteries or expose to high temperatures**, as they may explode.
16. **DO NOT** charge the battery at temperature below 32°F (0°C). This will degrade the battery performance, shorten life and cause gas leakage from venting. Optimum charging efficiency for the battery is within temperature range of 50°F (10°C) and 86°F (30°C).
17. **DO NOT** charge with the battery polarity reversed. This will cause battery venting, swelling or rupture.
18. Leaks from battery cells can occur under extreme conditions. Improper use of the battery can cause the safety vent to activate. Small amounts of liquid (alkaline electrolyte) will leak from the vent near the terminal. If the liquid gets on the skin, wash immediately with soap and water. If the liquid gets into the eyes, flush them immediately with clean water for a minimum of 10 minutes and seek medical attention.
19. **DO NOT** use for any purpose other than described in this user's guide. Look on your hand vacuum and follow all label and marking instructions.
20. This vacuum is intended for household use only.
21. **DO NOT** charge the unit outdoors.



FEATURES

- | | |
|----------------------------|--------------------|
| 1 Air-Intake Nozzle | 6 On/Off Switch |
| 2 Dust Cup Container | 7 Motor Housing |
| 3 Dust Cup Filter | 8 Charging Adapter |
| 4 Dust Cup Release Button | 9 Motorized Brush |
| 5 Charging Indicator Light | 10 Crevice Tool |

TECHNICAL SPECIFICATIONS: 15.6 Volt MAX** Ni-MH Battery dc

TWO YEAR LIMITED WARRANTY

EURO-PRO Operating LLC warrants this product to be free from material defects and workmanship for a period of two (2) years from the date of purchase when utilized for normal household use, subject to the following conditions, exclusions and exceptions.

The liability of EURO-PRO Operating LLC is limited solely to the cost of the repair or replacement of the unit at our option. This warranty does not cover normal wear of parts and does not apply to any unit that has been tampered with or used for commercial purposes. This limited warranty does not cover damage caused by misuse, abuse, negligent handling or damage due to faulty packaging or mishandling in transit. This warranty does not cover damage or defects caused by or resulting from damages from shipping or repairs, service or alteration to the product or any of its parts, which have been performed by a repair person not authorized by EURO-PRO Operating LLC.

Non-durable parts, including, without limitation, filters, brushes and electrical parts which normally require replacement are specifically excluded from this warranty.

If your appliance fails to operate properly while in use under normal household conditions within the warranty period, you may return the complete appliance and accessories with proof of purchase and date, freight prepaid. For customer service support, call **1-800-798-7398** or visit our web site at www.sharkclean.com.

If the appliance is found by EURO-PRO Operating LLC to be defective, in EURO-PRO Operating LLC's sole discretion, we will repair or replace it free of charge. Proof of purchase date and check made payable to EURO-PRO Operating LLC in the amount of \$12.95 to cover the cost of return shipping and handling must be included.

This warranty is extended to the original purchaser of the unit and excludes all other legal, implied and/or conventional warranties. The responsibility of EURO-PRO Operating LLC if any, is limited to the specific obligations expressly assumed by it under the terms of this Limited Warranty. In no event is EURO-PRO Operating LLC liable for incidental or consequential damages to anyone of any nature whatsoever. Some states do not permit the exclusion or limitation of incidental or consequential damages, so the above may not apply to you.

This Limited Warranty gives you specific legal rights, and you may also have other rights which vary from state to state or province to province.

***IMPORTANT:** Carefully pack item to avoid damage in shipping. Be sure to include proof of purchase date and to attach a tag to item before packing including your name, complete address and phone number with a note giving purchase information, model number and what you believe is the problem with the item. We recommend you insure the package (as damage in shipping is not covered by your warranty). Mark the outside of your package "ATTENTION CUSTOMER SERVICE". We are constantly striving to improve our products, therefore the specifications contained herein are subject to change without notice.

**Maximum initial battery voltage

CHARGING YOUR HAND VACUUM

- 1 Before first using the hand vacuum, make sure that the On/Off switch is in the "Off" position and charge until indicator light turns OFF, max. 6 hours.
- 2 Connect the charging jack to the charging hole that is on the back of the vacuum.
- 3 Plug the charger into the wall outlet. The charging indicator light will illuminate to show that the vacuum is being charged.
- 4 After first use, discharge the unit fully and then recharge until indicator light turns OFF, max. 6 hours.

MAXIMIZING THE LIFE OF YOUR NI-MH BATTERY

- 5 Do not store in areas of high temperature or humidity.
- 6 Use only the charger supplied with the product. If other chargers are used, the batteries can fail causing damage to the battery, product or personal property.
- 7 After 3 months of non-use, the product should be fully discharged and then recharged to maximize battery power.
- 8 If the product has never been used or has been stored for an extended period of time without use - it will take several complete charge and discharge cycles to realize the full operational time of your product.
- 9 Ni-MH batteries have a long useful life but at some time they will need to be replaced. To purchase replacement batteries, visit www.sharkclean.com.

ASSEMBLY OF THE HAND VACUUM

IMPORTANT: The dust cup filter must always be used when operating the hand vacuum.

10 Push the dust cup release button and remove the dust cup.

11 Verify that the dust cup filter is inside, then reattach the dust cup to the hand vacuum.

12 The motorized brush can be used to vacuum short pile carpets or rugs. To attach the motorized brush, make sure the On/Off switch is in the Off position. Then firmly insert the motorized brush into the air-intake nozzle, ensuring that the contact pins are engaged in the connector slots of the unit.

WARNING: Do not touch the motorized brush while it is in motion.

13 The crevice tool can be used to clean narrow, hard to reach places. To attach the crevice tool, push the attachment into the air-intake nozzle.

USING THE CORDLESS VACUUM

CAUTION: The air-intake nozzle and attachments must be free of obstructions at all times, otherwise the motor will overheat and could become damaged.

14 To start the vacuum, push the "On/Off" switch to the "On" position.

15 To turn the vacuum "Off", push the "On/Off" switch to the "Off" position.

CHANGING & CLEANING THE DUST CUP FILTER

NOTE: It is recommended that the dust cup filter be replaced every 6 - 9 months to ensure peak performance of the vacuum.

16 Press the dust cup release button and pull out the dust cup.

17 Carefully remove the dust cup filter and empty the dust from the dust cup.

18 Rinse the dust cup filter in cold water and let it dry completely before replacing back into the dust cup. Do not wash it in a washing machine or use a hair dryer to dry it. **Air dry only!**

BATTERY PACK REPLACEMENT & DISPOSAL

The cordless hand vacuum is powered by Ni-MH batteries, which must be recycled or disposed of properly in accordance with state, federal and local laws. If uncertain as to how to remove the battery pack, we suggest that you take your hand vacuum to a reputable small appliance service technician to have this service performed. Do not attempt to replace the batteries used in this product with any other type of battery. Follow these steps when replacement of the battery pack is required:

19 Using a #1 Phillips head screwdriver, remove the single screw securing the battery compartment cover located underneath the unit.

20 To remove the cover, lift up the battery compartment cover. **Never** open the battery compartment except to replace the battery pack. Set the cover and the screw aside.

21 Slide the battery strap over and lift it out.

22 Carefully lift out the top battery pack and disconnect the terminals.

23 Connect the terminals to the new battery and insert into the battery compartment; taking care to connect the black lead (-) to the negative connector first and the red lead (+) to the positive connector second and insert into the battery compartment. Take care to tuck the wiring completely in so that the wiring does not interfere with the battery compartment cover when it is replaced.

24 Replace the battery strap, the battery compartment cover and the screw making sure not to over-tighten the screw.

WARNING: Never use ordinary batteries for replacement as these may leak and damage your vacuum cleaner. Use only the battery pack XB75N provided by EURO-PRO Operating LLC for replacement. Call customer service at 1 (800) 798-7398 or visit our web site at www.sharkclean.com to order replacement battery packs.

CAUTION:

- Use only with battery pack supplied.
- Do not attempt to remove the battery pack from the unit to charge.
- Never throw the battery pack or the appliance into a fire or incinerate it.
- Do not remove or damage the battery casing.
- Do not place the batteries on metal surfaces.
- Do not touch metal parts of the batteries together as the batteries will overheat.



TROUBLE SHOOTING

The hand vacuum will not operate	Batteries need to be recharged. Batteries are dead and need to be replaced. There is no power in the electrical outlet being used while charging. Try to charge using a different electrical outlet.
Motorized brush will not work	The metal contact pins on the motorized brush are not in contact with the connector slots on the vacuum. Remove the motorized brush and re-insert firmly into the air-intake nozzle. The motorized brush is blocked. Carefully remove all the lint, hair, etc. from the motorized brush.
Hand vacuum will not pick up or suction is weak	Dust cup is full. Empty the dust cup. Dust cup filter needs cleaning or replacement. Clean or replace the dust cup filter. Vacuum needs to be recharged.
Dust is escaping from the hand vacuum	Empty the dust cup container. The dust cup filter is not installed correctly. Remove it and re-insert it. The dust cup filter has a hole or a puncture in it. Replace it with a new one.

PARTS

To order additional parts for your Shark® CORDLESS HAND VACUUM models SV75_N 14, SV75Z_N 14, SV75SP_N 14 go to www.sharkclean.com or call 1-800-798-7398.

PART	PART NO
Dust Cup Filter	XSB726N
Battery Pack	XB75N
Charging Stand (optional)	1048FI
Charging Adapter	XA75N

Copyright © EURO-PRO Operating LLC, 2013
Boston, MA 02459 / Ville St. Laurent, Québec H4S 1A7
1-800-798-7398
www.sharkclean.com

Printed in China

Illustrations may differ with actual product.

SAVE THESE INSTRUCTIONS

SV75_N series.ES.14073_2

Shark
CORDLESS

SV75_N 14

SV75Z_N 14

SV75SP_N 14



IMPORTANTE: Para registrar su aspiradora inalámbrica de mano Shark®, visite nuestro sitio Web www.sharkclean.com.

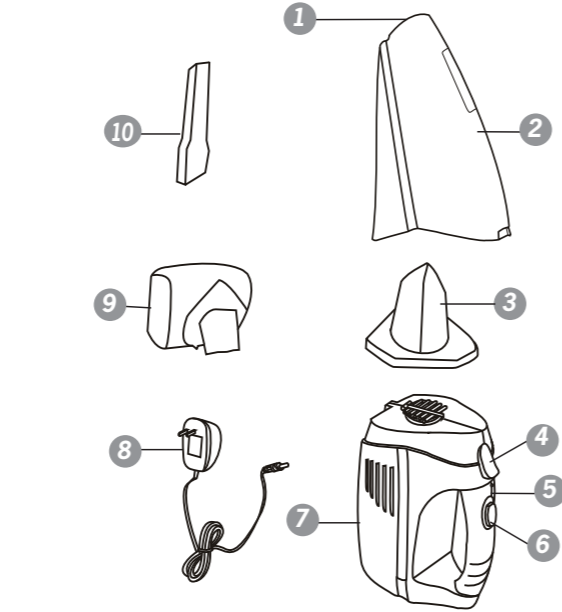
INSTRUCCIONES IMPORTANTES DE SEGURIDAD

LEA TODAS LAS INSTRUCCIONES ANTES DE USAR SU ASPIRADORA INALÁMBRICA DE MANO
Al usar su aspiradora de mano, siempre debe seguir precauciones básicas de seguridad, incluyendo las siguientes:

ADVERTENCIA: PARA REDUCIR EL RIESGO DE INCEDIO, CHOQUE ELÉCTRICO O LESIONES:

- NO** use, cargue o guarde la aspiradora de mano en el exterior o en superficies húmedas. Guarde la aspiradora inalámbrica dentro de su casa. Guarde la aspiradora luego de cada uso para evitar accidentes.
- Utilicela solamente como se indica en este manual.
- NO** permita que se utilice como un juguete. Debe tener mucho cuidado al ser utilizada por o cerca de niños. **NO** deje la aspiradora desatendida mientras esté en funcionamiento.
- NO** toque el enchufe, el cargador o el artefacto con las manos húmedas.
- Arme completamente la aspiradora de mano antes de usarla. **NO** use la aspiradora de mano sin tener el filtro en su lugar. Úsela solamente en superficies secas, en interiores.
- NO** utilice el cargador con un cable de extensión. Enchufe el cargador directamente en un tomacorriente. Use el cargador únicamente en un tomacorriente común.
- NO** intente usar el cargador con ningún otro producto ni intente recargar este producto con otro cargador. **Use únicamente el cargador modelo ZD6W210024US proporcionado con este producto**
- NO** use el cargador si el cable o el enchufe están dañados. Si el cargador o la aspiradora de mano han sufrido caídas, daños, se han dejado en el exterior o caído en el agua, retórnelos a EURO-PRO Operating LLC para que sean examinados, reparados o ajustados.
- NO** abuse del cable del cargador, tire del cable alrededor de bordes filosos o apriete el cable con la puerta. **Nunca** levante el cargador por el cable, o tire del cable para desconectarlo del tomacorriente; agárrelo por el enchufe y tire para desconectarlo. Mantenga el cargador alejado de superficies calientes.
- Use únicamente los accesorios recomendados por el fabricante. Apague siempre este artefacto antes de conectar o desconectar el cabezal motorizado. **NO** intente cambiar ningún accesorio mientras la unidad está funcionando.
- Tenga especial cuidado al limpiar escaleras.
- Mantenga el cabello, la ropa suelta, los dedos y toda parte del cuerpo alejados de las aberturas y de las partes móviles.
- NO** introduzca ningún objeto en las ranuras. **NO** la use con ninguna abertura tapada; manténgalas libres de polvo, pelusa, pelos y cualquier otra cosa que pudiera reducir el flujo de aire.
- NO** la utilice para recoger líquidos inflamables o combustibles como gasolina ni usar en áreas donde puedan estar presentes. **NO** recoja nada que se esté quemando o echando humo, como cigarrillos, fósforos, o cenizas calientes.
- Este producto incluye baterías recargables de hidruro metálico de níquel. Las baterías deben descartarse o reciclarse de forma apropiada y segura. Debe quitar la batería del artefacto antes de desecharlo. Este artefacto debe desenchufarse del tomacorriente antes de quitarle la batería. **No arroje las baterías al fuego o las exponga a altas temperaturas, pueden explotar.**
- NO** cargue la batería a una temperatura menor de 32°F (0°C). Esto degradaría el rendimiento de la batería, acortaría su vida útil y ocasionaría la generación de gases. El rendimiento óptimo de carga para esta batería se encuentra entre los 50°F (10°C) y 86°F (30°C) de temperatura.
- NO** la recargue con la polaridad de la batería invertida. Esto causaría que la batería emita gases, se hinche o se rompa.
- Bajo condiciones extremas, las baterías pueden presentar pérdidas. El uso inadecuado de la batería puede causar la activación de la ventilación de seguridad. Perderá una pequeña cantidad de líquido (electrolito alcalino) por la ventilación ubicada cerca del terminal. Si el líquido entra en contacto con la piel, lávelo inmediatamente con agua y jabón. Si el líquido le entra en los ojos, enjuáguelos inmediatamente con agua limpia durante 10 minutos como mínimo y vea un doctore.
- NO** la utilice con ningún propósito que no esté descrito en este manual del usuario. Trabe su aspiradora de mano y siga todas las instrucciones de las etiquetas.
- Esta aspiradora es para uso doméstico solamente.
- NO** recargue la unidad en el exterior.

CONSERVE ESTAS INSTRUCCIONES



CARACTERÍSTICAS

1 Entrada de aire

2 Recipiente para la tierra

3 Filtro

4 Botón para destrabar el recipiente de la tierra

5 Luz indicadora de carga

6 Llave de encendido

7 Cubierta del motor

8 Cargador

9 Cepillo eléctrico

10 Cabezal esquinero

ESPECIFICACIONES TÉCNICAS: Batería de Ni-MH de 15.6 voltios de CC MÁX**

GARANTÍA LIMITADA DE DOS AÑOS

EURO-PRO Operating LLC garantiza este producto contra defectos de materiales y mano de obra por un término de dos (2) años a partir de la fecha de compra original, siempre que sea utilizado para uso doméstico normal, sujeto a las siguientes condiciones, exclusiones y excepciones.

La responsabilidad de EURO-PRO Operating LLC se limita únicamente al costo de reparación o reemplazo de la unidad, a nuestro criterio. Esta garantía no cubre el desgaste normal de las partes y no cubre ninguna unidad que haya sido alterada o utilizada con fines comerciales. Esta garantía limitada no cubre daños ocasionados por uso inadecuado, abuso, negligencia o daños causados por embalaje inapropiado o maltrato durante el transporte. Esta garantía no cubre daños o defectos causados o resultantes durante el transporte para su reparación o alteraciones del producto o cualquiera de sus partes, realizadas por una persona no autorizada por EURO-PRO Operating LLC.

Los insumos tales como, sin limitación, filtros, cepillos y partes eléctricas que normalmente necesitan ser reemplazados son explícitamente excluidos de esta garantía.

*Si su artefacto no funciona correctamente al utilizarlo bajo condiciones domésticas normales dentro del período de garantía, puede devolver el artefacto completo y los accesorios, junto con un comprobante de la fecha de compra, pagando los gastos de envío. Por servicio al cliente, llame al **1-800-798-7398** o visite nuestro sitio Web en **www.sharkclean.com**.*

Si EURO-PRO Operating LLC determina que el artefacto presenta un defecto, lo reparará o reemplazará sin cargo, a su criterio. Debe incluir un comprobante de compra fechado y un cheque a favor de EURO-PRO Operating LLC por la suma de \$12,95 para cubrir los gastos de envío.

Esta garantía es válida para el comprador original del producto y excluye cualquier otra garantía legal, implícita y/o convencional. La responsabilidad de EURO-PRO Operating LLC, de existir, se limita a las obligaciones específicas asumidas expresamente bajo los términos de esta garantía limitada. Bajo ninguna circunstancia EURO-PRO Operating LLC será responsable por daños incidentales o indirectos a cualquiera, de ninguna clase. Algunos estados no permiten la exclusión o limitación de daños consiguientes o incidentales, por lo tanto lo anterior puede no ser válido para usted.

Esta garantía limitada le otorga derechos legales específicos, y usted puede también tener otros derechos los que varían de estado a estado o de provincia a provincia.

**IMPORTANTE: Embale el producto cuidadosamente para evitar daños durante el transporte. Asegúrese de incluir un comprobante de la fecha de compra y de colocarle una etiqueta al producto con su nombre, dirección completa y número de teléfono, una nota proporcionando información de la compra, número de modelo y una descripción del problema. Le recomendamos asegurar el paquete (puesto que la garantía no cubre daños de envío). Escriba en el exterior del paquete "ATTENTION CUSTOMER SERVICE". Nosotros nos esforzamos constantemente en mejorar nuestros productos, por lo tanto las especificaciones aquí indicadas pueden cambiar sin previo aviso.*

**Voltaje inicial máximo de la batería

CARGA DE SU ASPIRADORA DE MANO

1 Antes de usar la aspiradora de mano por primera vez, verifique que la llave de encendido esté en la posición "Off" y cárguela hasta que la luz indicadora se apague (6 horas como máximo).

2 Conecte el cargador al enchufe de carga de la parte posterior de la aspiradora.

3 Enchufe el adaptador al tomacorriente. La luz indicadora de carga se encenderá indicando que la aspiradora se está cargando.

4 Luego de usarla por primera vez, descargue completamente la unidad y luego recárguela hasta que la luz indicadora se apague (6 horas como máximo).

PARA MAXIMIZAR LA VIDA DE SUS BATERÍAS DE NI-MH

5 No las guarde en áreas de alta temperatura o humedad.

6 Use únicamente el cargador suministrado con el producto. Si utiliza otros cargadores, las baterías pueden llegar a fallar causando daños a las baterías, el producto o la propiedad privada.

7 Luego de tres meses de no usarlo deberá descargar completamente el producto y luego recargarlo para maximizar la energía de las baterías.

8 Si nunca ha usado el producto, o estuvo guardado por mucho tiempo sin usarse, requerirá varios ciclos completos de carga y descarga para obtener el tiempo total de funcionamiento de su producto.

9 Las baterías de Ni-MH tienen una larga vida útil pero deberá reemplazarlas en cierto momento. Para comprar baterías de reemplazo, visite www.sharkclean.com.

ARMADO DE LA ASPIRADORA DE MANO

IMPORTANTE: El filtro del recipiente de la tierra debe estar instalado al usar la aspiradora.

10 Presione el botón de liberación del recipiente de la tierra y remuévalo.

11 Verifique que el filtro esté instalado en su interior, luego vuelva a colocar el recipiente de la tierra en la aspiradora.

12 El cepillo eléctrico se puede usar para aspirar alfombras o tapetes de pelo corto. Para colocar el cepillo eléctrico, verifique que la llave de encendido esté en la posición "Off". Luego inserte firmemente el cepillo eléctrico sobre la entrada de aire, verificando que los terminales de contacto se inserten en las ranuras de conexión de la unidad.
ADVERTENCIA: No toque el cepillo giratorio cuando se esté moviendo.

13 La boquilla esquinera se puede usar para limpiar lugares angostos y difíciles de acceder. Para colocar la boquilla esquinera, empuje el accesorio dentro de la boquilla de entrada de aire..

USO DE LA ASPIRADORA INALÁMBRICA

CUIDADO: La entrada de aire y los accesorios no deben tener ninguna obstrucción en ningún momento, de lo contrario el motor se sobrecalentará y podría dañarse.

14 Para encender la aspiradora, deslice la llave de encendido a la posición "On" (encendido).

15 Para apagar la aspiradora, deslice la llave de encendido a la posición "Off" (apagado).

REEMPLAZO Y LIMPIEZA DEL FILTRO

NOTA: Le recomendamos reemplazar el filtro del recipiente de la tierra cada 6-9 meses para asegurar el máximo rendimiento de la aspiradora.

16 Presione el botón para destrabar el recipiente de la tierra y sáquelo de la aspiradora.

17 Remueva con cuidado el filtro y vacíe el recipiente de la tierra.

18 Enjuague el filtro con agua fría, y déjelo secar completamente antes de volverlo a colocar dentro del recipiente de la tierra. No lo lave en una lavadora ni use un secador de cabello para secarlo. **¡Séquelolo al aire únicamente!**

REEMPLAZO Y DESECHADO DE LAS BATERÍAS

La aspiradora inalámbrica de mano se alimenta con baterías de Ni-MH, las que deben reciclarse o desecharse de acuerdo con las reglamentaciones estatales, federales y locales. Si no está seguro de cómo extraer la batería, le sugerimos que lleve su aspiradora de mano a un técnico calificado en reparación de artefactos pequeños para que lo haga por usted. No intente reemplazar las baterías de este producto por ningún otro tipo de baterías. Siga estos pasos cuando tenga que reemplazar la batería:

19 Con un destornillador Phillips #1, saque el tornillo de la tapa del compartimiento de la batería ubicado en la parte de abajo de la unidad.

20 Para sacar la tapa, levántela. **Nunca** abra el compartimiento de la batería, excepto para reemplazarla. Deje la tapa y el tornillo a un lado.

21 Deslice la correa de la batería y levántela.

22 Levante cuidadosamente la batería y desconecte los terminales.

23 Conecte los terminales de la batería nueva teniendo cuidado en conectar primero el cable negro (-) al conector negativo y después el cable rojo (+) al conector positivo e insértela en el compartimiento. Tenga cuidado en acomodar todos los cables completamente adentro para que no interfiera con la tapa del compartimiento de la batería al volver a colocarla.

24 Vuelva a colocar la correa de la batería, la tapa del compartimiento de la batería y el tornillo, teniendo cuidado en no ajustarlo de más

ADVERTENCIA: Nunca reemplace las baterías por pilas comunes ya que pueden perder y dañar la aspiradora. Use únicamente las baterías XB75N proporcionadas por EURO-PRO Operating LLC como repuesto. Llame al servicio al cliente al 1 (800) 798-7398 o visite nuestro sitio Web en www.sharkclean.com para ordenar una batería nueva.

CUIDADO:

- Use únicamente la batería suministrada.

• No intente remover la batería de la unidad para recargarla.

• Nunca arroje la batería o la unidad al fuego ni la incinere

• No intente remover o dañar la cubierta de la batería.

• No apoye las baterías sobre superficies metálicas.

• No permita que los terminales de las baterías se toquen entre si ya que podrían recalentar.



SOLUCIÓN DE PROBLEMAS

La aspiradora de mano no funciona	Debe recargar la batería. La batería está agotada y hay que reemplazarla. No hay energía en el tomacorriente que usa para cargarla. Intente cargarla usando otro tomacorriente.
El cepillo eléctrico no funciona	Los terminales metálicos de contacto del cepillo eléctrico no hacen contacto con el conector en las ranuras de la aspiradora. Saque el cepillo eléctrico y vuelva a insertarlo firmemente en la boquilla de la aspiradora. El cepillo eléctrico está trabado. Saque cuidadosamente toda la pelusa, cabellos, etc. del cepillo.
La aspiradora no levanta la tierra o la succión es débil	Recipiente para la tierra lleno. Vacíe el recipiente de la tierra. Hay que limpiar o reemplazar el filtro. Limpie o reemplace el filtro. Debe recargar la aspiradora.
Sale tierra de la aspiradora de mano	Vacíe el recipiente para la tierra. El recipiente de la tierra no está instalado correctamente. Sáquelo y vuelva a colocarlo. El recipiente para la tierra tiene un agujero o está roto. Reemplácelo por uno nuevo.

PARTES

Para ordenar partes adicionales para su ASPIRADORA INALÁMBRICA DE MANO Shark® modelos SV75_N 14, SV75Z_N 14, SV75SP_N 14 visite www.sharkclean.com o llame al 1-800-798-7398.

PARTES	NO. DE PARTE
Filtro del recipiente de la tierra	XSB726N
Batería	XB75N
Base de carga (opcional)	1048FI
Adaptador de carga	XA75N

Copyright © EURO-PRO Operating LLC, 2013
Boston, MA 02459 / Ville St. Laurent, Québec H4S 1A7
1-800-798-7398

www.sharkclean.com

Impreso en China

El dibujo puede no ser igual al producto real.

SV75_N series.ES.140703_2