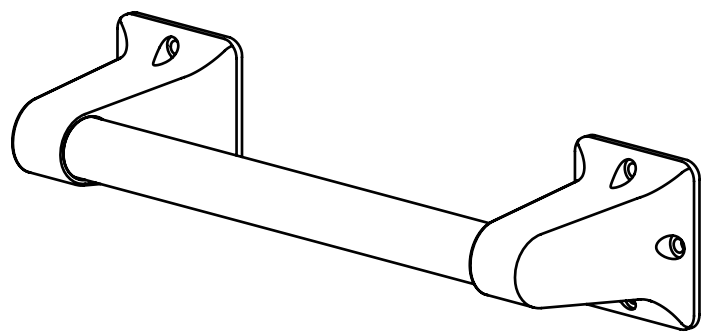


USE AND CARE GUIDE

ASSIST BAR



THANK YOU

We appreciate the trust and confidence you have placed in Glacier Bay through the purchase of this assist bar. We strive to continually create quality products designed to enhance your home. Visit us online to see our full line of products available for your home improvement needs.

Warranty

WHAT IS COVERED

This warrants the original purchaser that this product will be free of manufacturing defects under normal domestic use for the life of the product beginning from the original date of purchase. Present warranty does not extend to anyone except the first purchaser at retail. Also, an original sales receipt must be obtained in order for the warranty to be valid. To obtain warranty service, contact the retailer from which the product was purchased.

WHAT IS NOT COVERED

Present warranty excludes damages resulting in whole or in part from installation error, product abuse, misuse, neglect, any alterations to products, improper maintenance, abrasives, corrosion and / or accidents, whether caused by a professional or anyone else.

Limited Life Time Warranty does not apply to products used in or used for industrial, commercial, or business environment purposes. The Limited Warranty is valid for 1 year under these conditions.

Any and all accessories that are subject to any type of harsh abrasive, such as detergents or window cleaners, will not be covered under the warranty. The manufacturer is not responsible for any labor or shipping charges, or damages whatsoever incurred in whole or in part from installation, removal, re-installation, repair, or replacement of any product or part, as well as any incidental or consequential damages, expenses, losses, direct or indirect, arising from any cause whatsoever.



Questions, problems, missing parts? Before returning to the store, call Glacier Bay Customer Service 8 a.m. - 6 p.m., EST, Monday-Friday

1-877-527-0313

HOMEDEPOT.COM

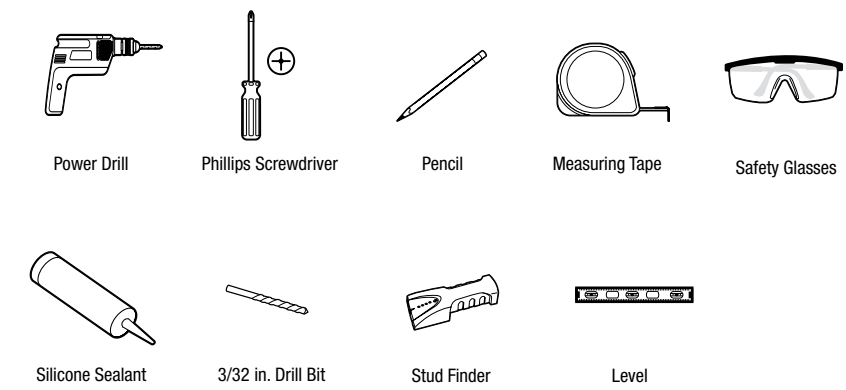
Safety Information

WARNING: Install in accordance with these instructions. Do not modify or alter this product in any way. After installation check your grab bar periodically to ensure all screws are secure.

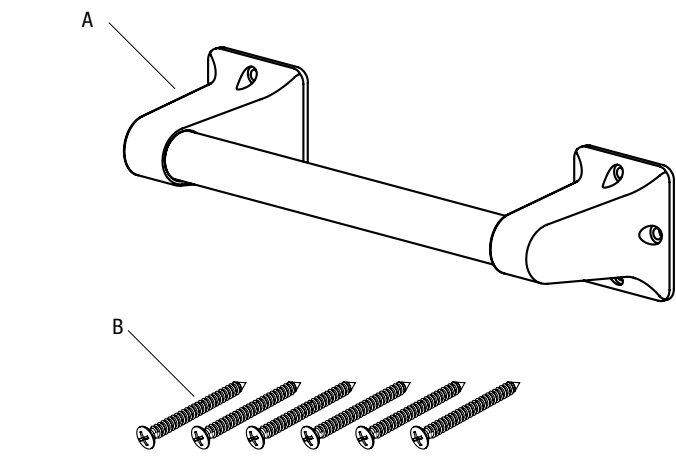
IMPORTANT: Mount the grab bars to a secure surface. The manufacturer will not accept responsibility for any and all damage caused by lack of wall strength or improper installation.

Pre-Installation

TOOLS REQUIRED



PACKAGE CONTENTS



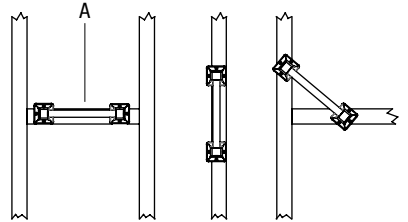
Part	Description
A	Assist bar
B	Mounting screws

Installation

1 Positioning the assist bar

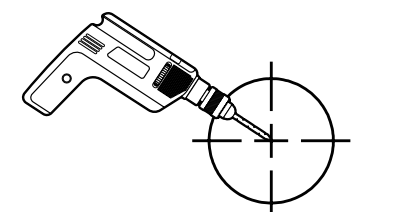
NOTE: All screws must be mounted firmly into a wood stud. Locate the center of the stud by using a stud finder or other stud locating method. (Studs are usually 16 inches apart.)

- Locate the center of the stud by using a stud finder (not included) or other stud locating method. (Note: Studs are usually 16 in. apart).
- Place the assist bar (A) on the wall where desired so that the mounting holes are positioned over a wood stud. Use a level, if needed.



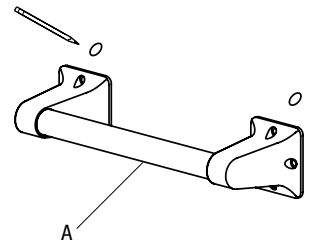
3 Pre-drilling the hole locations

- Remove the assist bar from the wall and carefully drill pilot holes as marked.
- Ensure the holes are drilled into the stud. If a stud cannot be located, the following optional fasteners are suggested: tile/ Masonry - Plastic or Lead Anchors; Plaster/Drywall - Toggle Bolts (not included).



2 Marking the hole locations

- With a pencil, and using the assist bar (A) as a template, mark the mounting hole locations.



4 Securing the assist bar

- Install the assist bar (A) with the mounting screws (B). Ensure that the screws are securely tightened.

NOTE: Mount the assist bar to a secure surface. The manufacturer will not accept responsibility for any and all damage caused by a lack of wall strength of improper installation.

