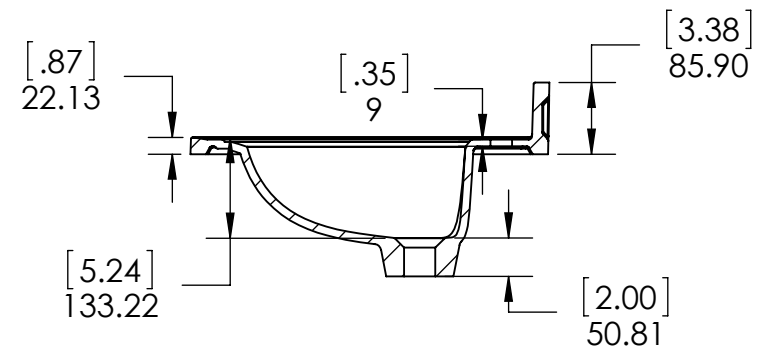
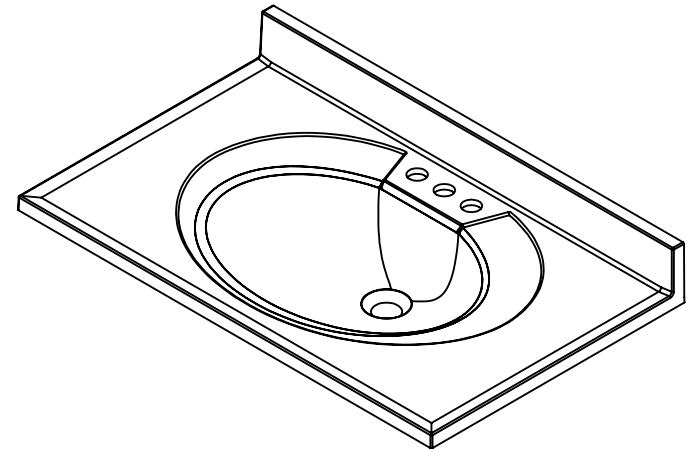
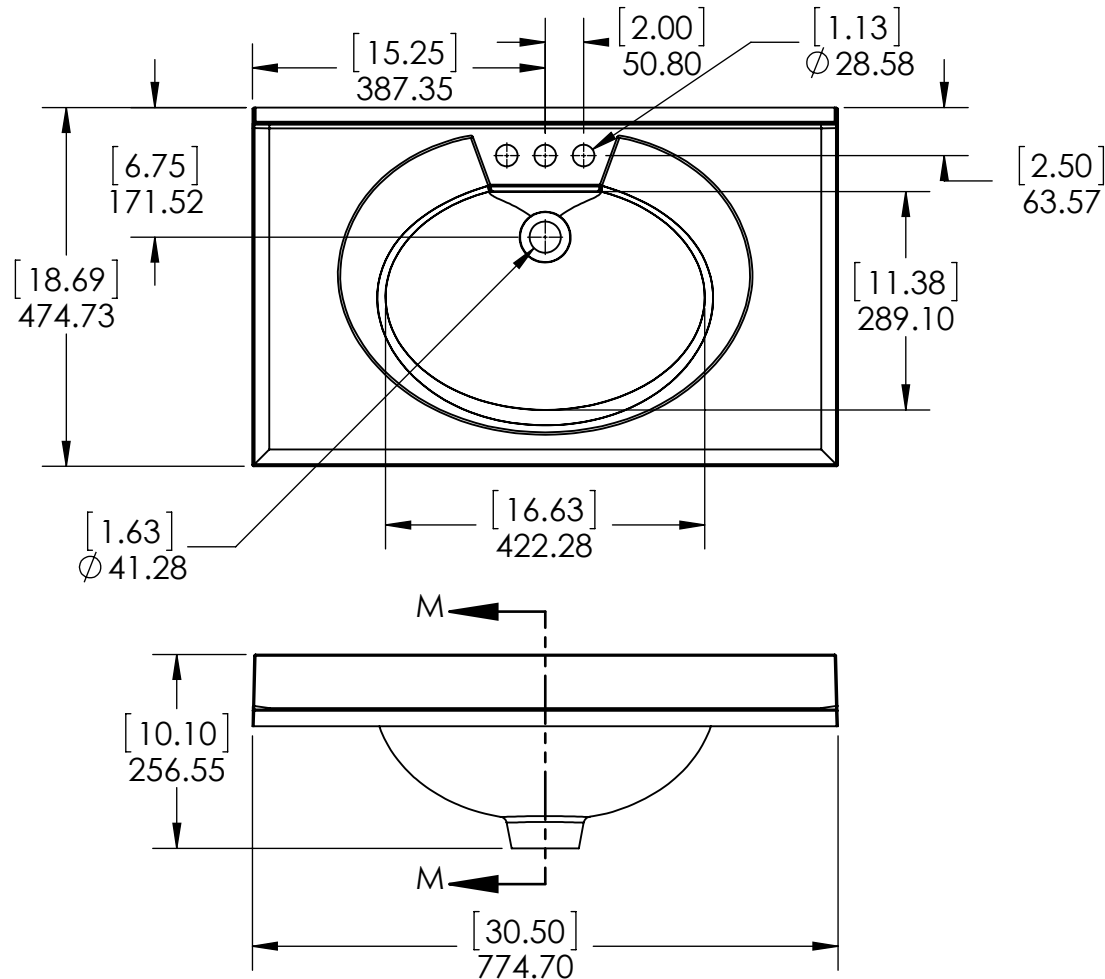


| ID            | Description                                   | Technology   |
|---------------|---|--------------|
| 595044        | Newport Blanco<br>31x19 en Fajilla<br>(Combo) | Solid Color  |
| N31GB-W       | Newport 31x19 White<br>Vtop                   | Solid Color  |
| N3119GB-<br>O | Newport 31x19 Onix<br>Vtop                    | AB Composite |

| Rev # | Approved by | Change          |
|-------|-------------|-----------------|
| 1     | V. Sanchez  | New Model Added |
| 2     | R. Rubio    | New Model Added |
| 3     | O. Razo     | New Model Added |



**PROPRIETARY AND CONFIDENTIAL**  
 THE INFORMATION CONTAINED IN THIS DRAWING IS THE SOLE PROPERTY OF WOODCRAFTERS. ANY REPRODUCTION IN PART OR AS A WHOLE WITHOUT THE WRITTEN PERMISSION OF WOODCRAFTERS IS PROHIBITED.

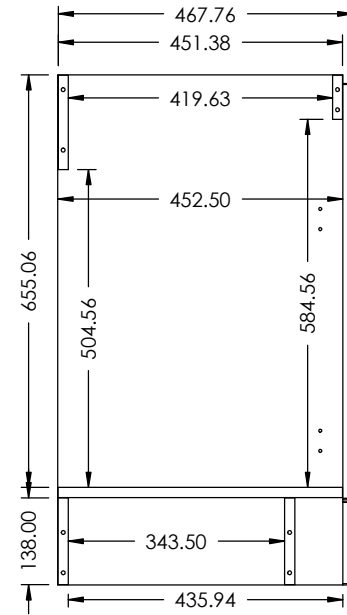
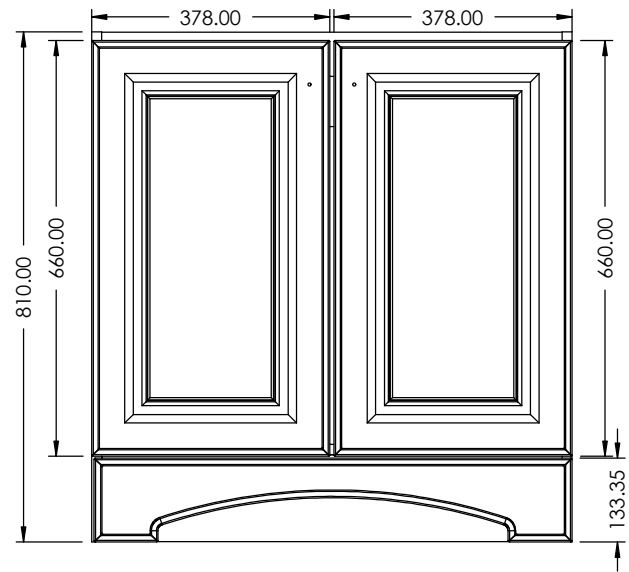
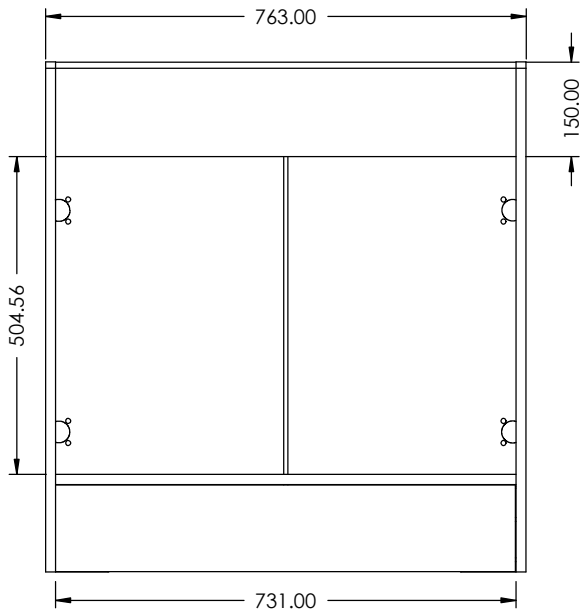
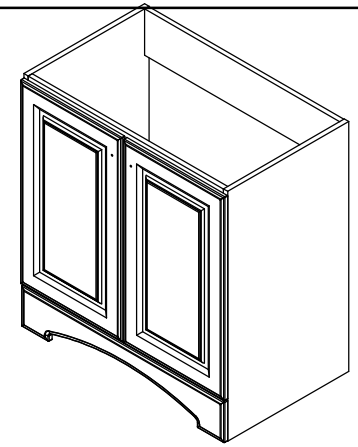
UNLESS OTHERWISE SPECIFIED  
 DIMENSIONS ARE IN MM.  
 AND (INCHES)  
 TOLERANCES ARE  
 +0.125 [3.175] - 0.125 [-3.175]  
 SCALE:1:10

|           | NAME     | DATE     |
|-----------|----------|----------|
| DRAWN     | O. Razo  | 01/16/17 |
| CHECKED   | R. Rubio | 01/16/17 |
| ENG APPR. | R. Rubio | 01/16/17 |
| MFG APPR. | C. Leal  | 01/16/17 |

**Wood Crafters**

SIZE DWG. NO. **A** *New port 31 x 19 FG*

SHEET 1 OF 1 REV. **4**



**Wood Crafters**<sup>®</sup>

**PROPRIETARY AND CONFIDENTIAL**  
 THE INFORMATION CONTAINED IN THIS DRAWING IS THE SOLE PROPERTY OF WOODCRAFTERS HOME PRODUCTS L.L.C. ANY REPRODUCTION IN PART OR AS A WHOLE WITHOUT THE WRITTEN PERMISSION OF WOODCRAFTERS HOME PRODUCTS L.L.C. IS PROHIBITED.

UNLESS OTHERWISE SPECIFIED  
 ALL DIMENSIONS ARE IN mm and [inches] AND TOLERANCES ARE +/- 1.0 (0.04)

|                      |             |
|----------------------|-------------|
| DRAWN BY:            |             |
| CHECKED BY:          |             |
| APPROVED BY:         |             |
| DO NOT SCALE DRAWING | SCALE: 1:20 |

|          |               |
|----------|---------------|
| TITLE:   | <b>GB30P2</b> |
| PART NO: |               |
| PAGE     | 1 OF 1        |
| REV:     | <b>0</b>      |

**A**