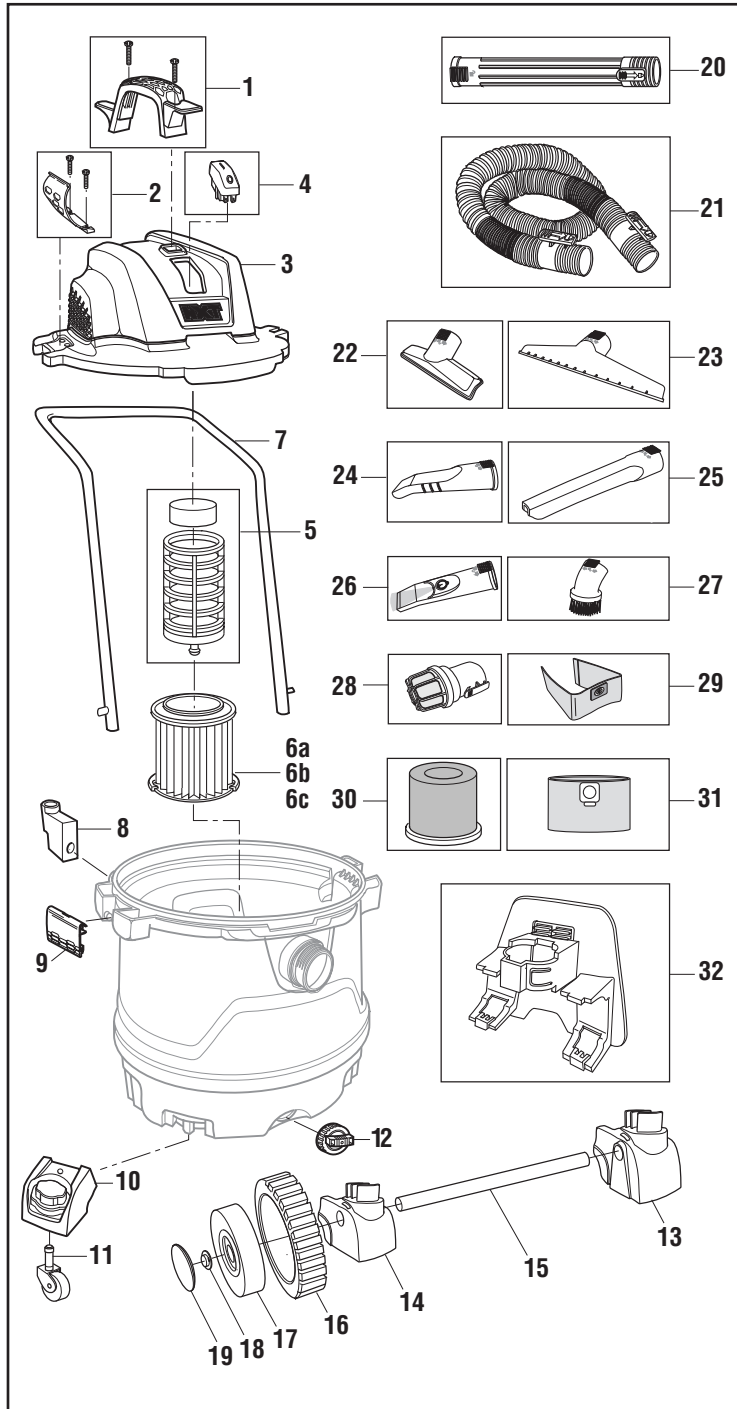


Model Number HD18000 16 U.S. Gallon (60 Liter) Cart Wet/Dry Vac

Always order by Part Number - Not by Key Number



Key Nos.	16 Gallon HD18000 Part Numbers	Description
1	510669	Carry Handle w/Hardware
2	510667	Hose Storage Clip w/Hardware
3	510671	Powerhead Assembly (Includes Key No. 3, 4 & 5)
4	841650	Rocker Switch
5	510668	Filter Cage & Float
6a	VF4000	†Qwik Lock™ Filter
6b	VF5000	†Qwik Lock™ Fine Dust Filter
6c	VF6000	†Qwik Lock™ HEPA Media Filter
7	841993	Cart Push Handle
8	510674	Cart Handle Holder
9	841700	Drum Latch
10	841561	Caster Foot w/Storage
11	73102	Caster (2" Diameter)
12	73185	Drain Cap
13	510673	Rear Axle Foot w/Storage (Right)
14	510672	Rear Axle Foot w/Storage (Left)
15	831024-6	Axle
16	830682	8" Wheel
17	830598	8" Wheel, Gray Hub
18	813836-1	1/2" Cap Nut
19	830611	Wheel Cap
20	LA2508	†Extension Wand
21	LA2520	†Tug-A-Long Positive Locking Hose w/Dual-Flex™
22	LA2509	†Utility Nozzle (2-1/2")
23	LA2510	†Wet Nozzle (2-1/2")
24	LA2503	Car Nozzle (2-1/2")
25	LA2502	†Crevice Tool (2-1/2")
26	LA2539	†Lighted Car Nozzle (2-1/2")
27	LA2501	†Dusting Brush (2-1/2")
28	LA2525	†Muffler Diffuser (2-1/2")
29	VF3502	†Dust Collection Bag
30	VF7000	†Wet Filter
31	VF3602	†Premium Cyclonic Filter Bag with Locking Collar
32	841803	Accessory Caddy

† These replacement parts are also available where you purchased your Vac.