



Location:

SCOT®/Metering

SLC-6000 Series Metering Lavatory Faucet Specification Submittal

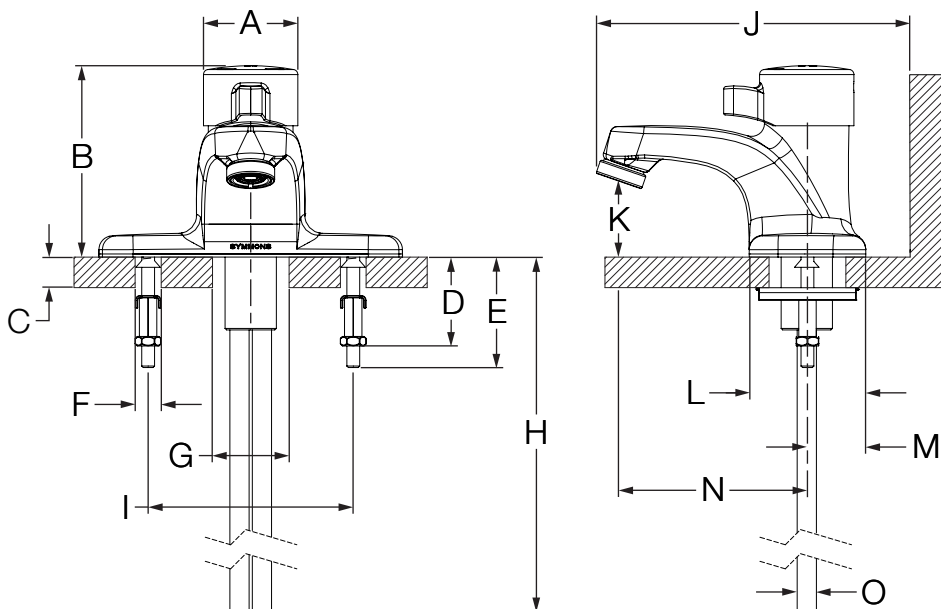


Model Numbers	Specification
<input type="checkbox"/> SLC-6000 <i>SCOT Metering Lavatory Faucet</i>	Metering lavatory faucet features 4" centerset mount, 3/8" copper supply tubes, temperature limit stop, adjustable flow time and 0.25 gpc (0.95 L/cyl) at 0.5 gpm (1.9 L/min) vandal resistant aerator. Faucet constructed from brass, plated in standard polished chrome finish.
Modifications <input type="checkbox"/> -BH <i>Braided hose</i> <input type="checkbox"/> -DP <i>8" deck plate</i> <input type="checkbox"/> -G <i>Grid drain</i> <input type="checkbox"/> -OFG <i>Offset grid strainer</i> <input type="checkbox"/> -QC <i>Quick close cartridge</i> <input type="checkbox"/> -STE <i>8" supply tube extensions with compression couplings</i>	Compliance -ASME A112.18.1/CSA B125.1 -NSF/ANSI 61.9, NSF/ANSI 372
	Warranty Limited Lifetime - to the original end purchaser in consumer/residential installations. 5 Years - for industrial/commercial installations. Refer to www.symmons.com/warranty for complete warranty information.



Note: Append appropriate -suffix to model number.

Dimensions



Measurements	
A	Ø 1-7/8", 48 mm
B	3-3/4", 95 mm
C	Deck Thickness Ref. Min. 1/2", 13 mm Max. 1", 25 mm
D	1-3/8", 35 mm
E	2-1/8", 54 mm
F	(2x) Hole Size Ø 1/2", 13 mm
G	Hole Size Ø 1-1/4", 32 mm
H	11", 279 mm
I	4", 102 mm
J	5-3/4", 146 mm
K	1-1/2", 38 mm
L	2-1/4", 57 mm
M	1-1/8", 29 mm
N	3-5/8", 92 mm
O	3/8", 10 mm

Note: Dimensions subject to change without notice.