

COOPER LIGHTING - ALL-PRO™

DESCRIPTION

The ALL-PRO™ LED Outdoor Security series is designed to provide superior security with the sustainability of LED Technology. Designed for performance with a refined look, the durable die-cast aluminum construction and innovative LED design come in a full range of styles and lumen outputs to match all outdoor security needs. The patent pending products can be wall or eave mounted for entry ways, garage and corners. ALL-PRO™ LED outdoor security lighting provides the safety of super bright lighting, energy savings up to 90%, and the convenience of one-time installation without re-lamping.

Catalog #		Type
Project		
Comments		Date
Prepared by		

SPECIFICATION FEATURES

Construction

- Durable die-cast aluminum housing suitable for wet locations
- Powder coated bronze or white finish
- High reflectance polycarbonate reflector for maximum LED light output
- Tool-less head adjustment
- Tempered glass lens
- Suitable for wall or eave mounting using recessed junction box
- Adapter plate included for easy recessed junction box mounting

Electrical

- 120VAC, 60Hz
- Maintenance-free LEDs with 35,000 hours of life
- Fixture operating temperature range from -30°C to 40°C
- UL and CUL listed for wet locations
- External supply wiring 75°C minimum
- Dusk to Dawn option available with non-replaceable photocell

Optics

- Precision optics for maximum efficiency
- 4000K color temperature perfect for security applications
- 1700 Lumen package

Warranty

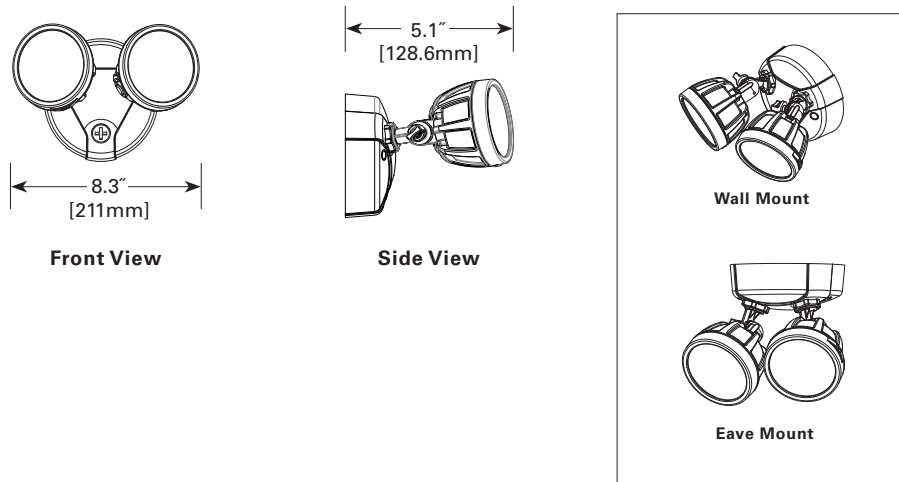
- 2 year limited warranty



LED ROUND FLOOD SERIES

LED Twin Round Flood

DIMENSIONS



Innovation you can rely on™

Sustainable Design

CERTIFICATION DATA

UL/CUL Wet Location Listed
Lighting Facts® Approved

TECHNICAL DATA

120V only
-30°C to 40°C Temperature Rating
External Supply Wiring 75° Minimum
Wall and Eave Mount

ORDERING INFORMATION

Sample Number: FTR1740LPCW

<input type="text"/>	<input type="text"/>	<input type="text"/>	<input type="text"/>	<input type="text"/>
Application F = Floodlight	Head Design T = Twin	Series R1740L = Round Flood 1700 lumens 4000K CCT	Application Options Blank = No photocontrol PC = Photocontrol 120V	Housing Color Blank = Bronze W = White

AVAILABLE OPTIONS

FTR1740LPC, FTR17040LPCW

COOPER LIGHTING

ADR140192