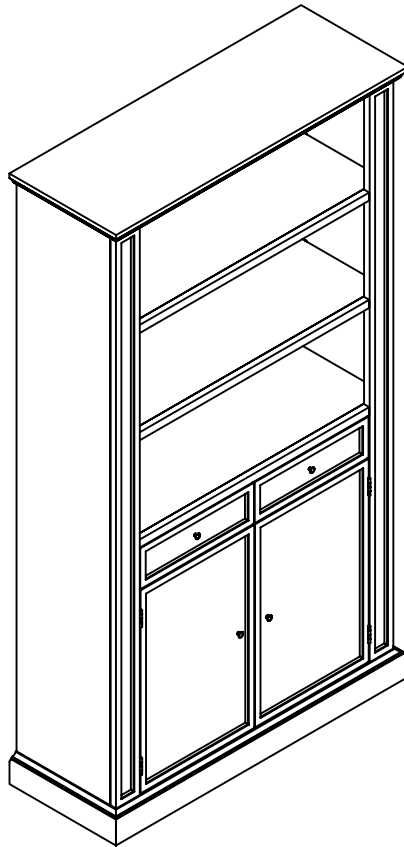


# USE AND CARE GUIDE

## MEDIA BOOKCASE



EASY STEP-BY-STEP  
3D INTERACTIVE INSTRUCTIONS  
FOR THIS PRODUCT CAN BE FOUND IN

**BILT.**

DOWNLOAD THE FREE APP



Questions, problems, missing parts? Before returning to the store,  
call Home Decorators Collection Customer Service.  
8 a.m. – 7 p.m., EST, Monday – Friday, 9 a.m. – 6 p.m., EST, Saturday

**1-800-998-7021**

**HOMEDEPOT.COM/HOMEDECORATORS**

### THANK YOU

*We appreciate the trust and confidence you have placed in Home Decorators Collection through the purchase of this media bookcase. We strive to continually create quality products designed to enhance your home. Visit us online to see our full line of products available for your home improvement needs. Thank you for choosing Home Decorators Collection!*

# Table of Contents

Table of Contents.....	2	Hardware Included.....	3
Safety Information.....	2	Pre-assembly (continued).....	4
Warranty.....	2	Package Contents.....	4
3 Year Warranty.....	2	Assembly.....	5
What is Covered.....	2		
What is Not Covered.....	2		
Pre-assembly.....	3		
Planning Assembly.....	3		
Tools Required.....	3		

# Safety Information



## DANGER

- Keep small parts away from children during assembly.
- Read and follow instructions carefully.



## WARNING

- Read these instructions carefully and keep in a safe place.
- TO GUARANTEE THE SAFE USE OF THIS PRODUCT, FOLLOW THE WARNINGS, GUIDELINES AND RECOMMENDATIONS IN THIS MANUAL.
- Adult assembly required.
- Small parts may present choking hazard prior to assembly.
- Do not place heavy objects on the glass top.
- Some assembly may involve attaching glass or mirrors.
- Be very careful handling the glass or mirrors, as severe injury may result if the glass or mirror breaks.
- Never handle large pieces of glass or mirrors by yourself.



## CAUTION

- Do not use power tools to assemble your furniture. Power tools may strip or damage parts/product.
- Do not overtighten connectors (screws, bolts, etc.). Overtightening can lead to product damage.
- Be sure to check all packing materials carefully for small parts that may have come loose inside the carton during shipment. If parts are missing, contact THE HOME DEPOT to obtain any missing parts.
- DO NOT USE SUBSTITUTE PARTS.
- This product should only be used on a flat, level surface.

# Warranty

## 3 YEAR WARRANTY

### WHAT IS COVERED

We guarantee this product to be free of manufacturing defects to the original purchaser for three years.

### WHAT IS NOT COVERED

This warranty does not cover commercial use, acts of nature, and abusive use.

# Pre-assembly

## PLANNING ASSEMBLY

Keep children and pets away from build area. Make sure your area is large enough to unpack, sort and assemble the unit.

## TOOLS REQUIRED



Small head  
Phillips  
screwdriver

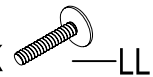
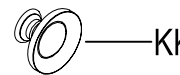
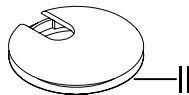
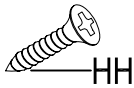
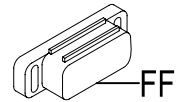
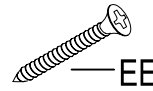
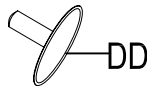
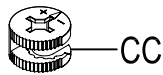
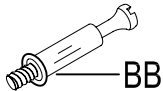
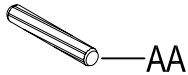


Large head  
Phillips  
screwdriver

## HARDWARE INCLUDED



**NOTE:** Hardware not shown to actual size.



(1) x 2



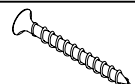
(2) x 1



(3) x 1



(4) x 1



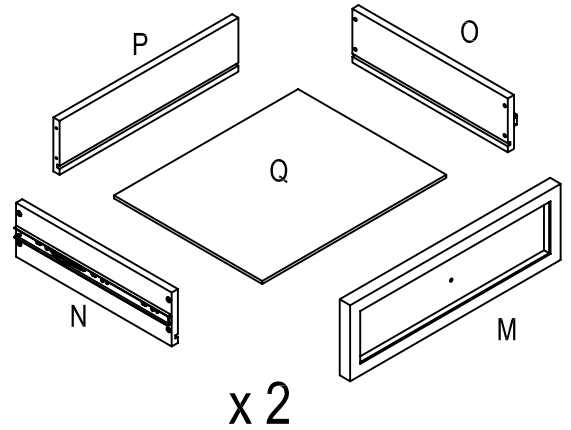
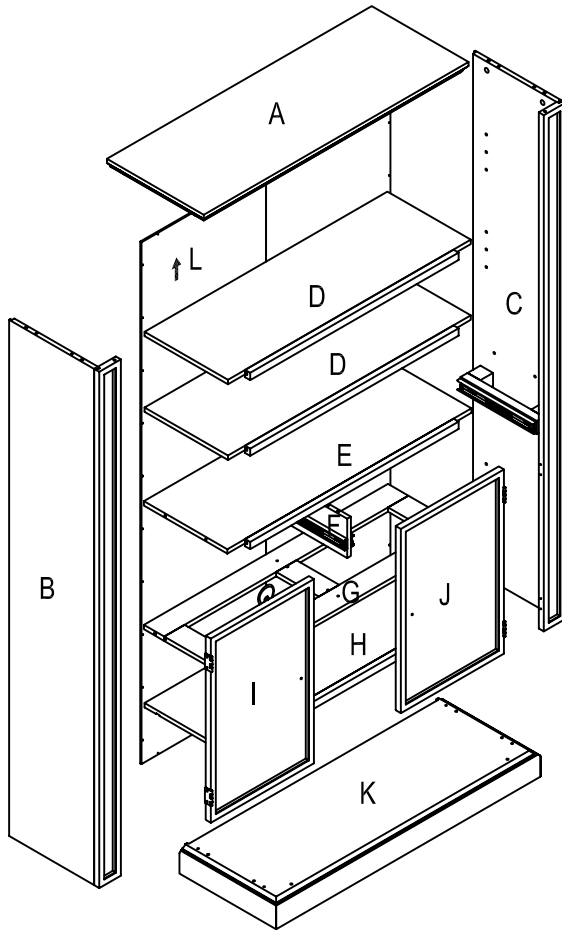
(5) x 1

MM

Part	Description	Quantity
AA	Wood dowel	24
BB	Cam lock bolt	14
CC	Cam lock	14
DD	Plastic cover	8
EE	1 in. Flat head screw	18
FF	Magnet	1
GG	5/8 in. Round head screw	40
HH	1/2 in. Flat head screw	8
II	Wire plug	2
JJ	Shelf support	12
KK	Knob	4
LL	Bolt	4
MM	Anti-tipping hardware package	1

# Pre-assembly (continued)

## PACKAGE CONTENTS



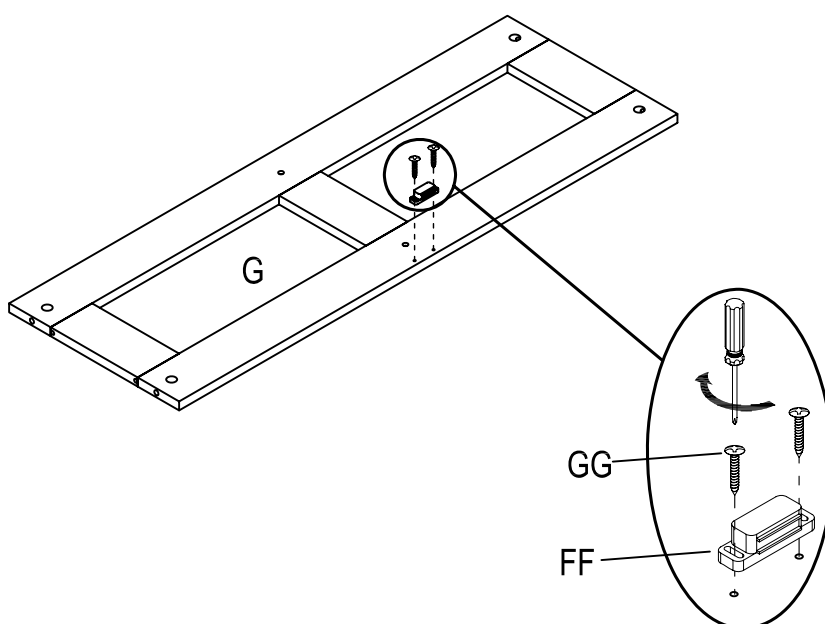
Part	Description	Quantity
A	Top panel	1
B	Left side panel	1
C	Right side panel	1
D	Top adjustable shelf	2
E	Top fixed panel	1
F	Partition	1
G	Bottom fixed panel	1
H	Bottom adjustable shelf	1

Part	Description	Quantity
I	Left door	1
J	Right door	1
K	Bottom panel	1
L	Back panel	1
M	Drawer front panel	2
N	Drawer left side panel	2
O	Drawer right side panel	2
P	Drawer back panel	2
Q	Drawer bottom panel	2

# Assembly

## 1 Attaching the magnet

- Attach magnet (FF) to fixed panel (G) with screw (GG) as shown.



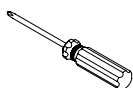
5/8 in. Round  
head screw  
(GG) x 2



Magnet  
(FF) x 1



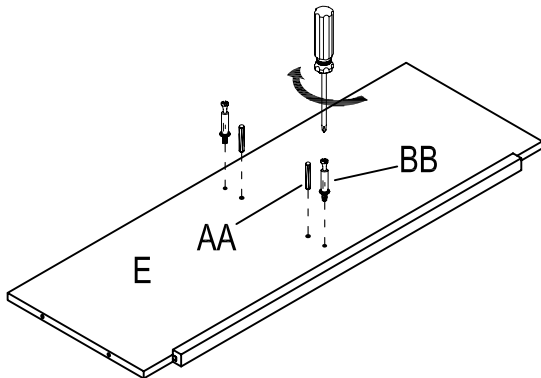
Small head



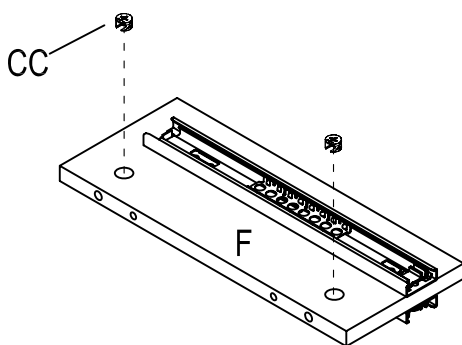
# Assembly (continued)

## 2 Attaching the partition to the Top fixed panel

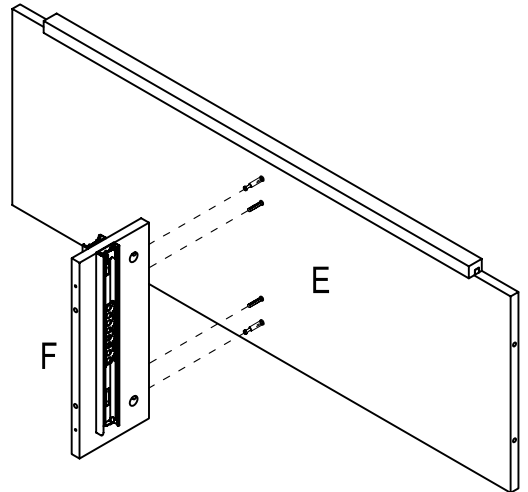
- a) Install dowel (AA) and bolt (BB) into panel (E).



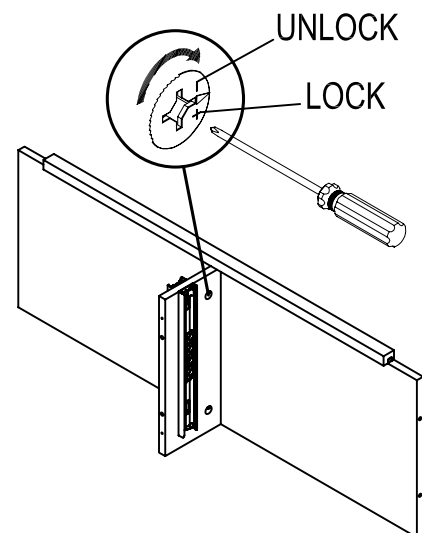
- b) Insert lock (CC) into partition (F).



- c) Join partition (F) to the panel (E) with dowel (AA).



- d) Tighten bolt (BB) with lock (CC) in the pre-drilled holes.

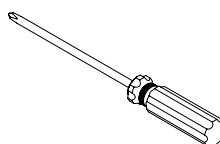
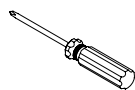
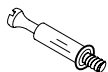


Wood dowel    Cam lock bolt    Cam lock    Small head    Large head

(AA) x 2

(BB) x 2

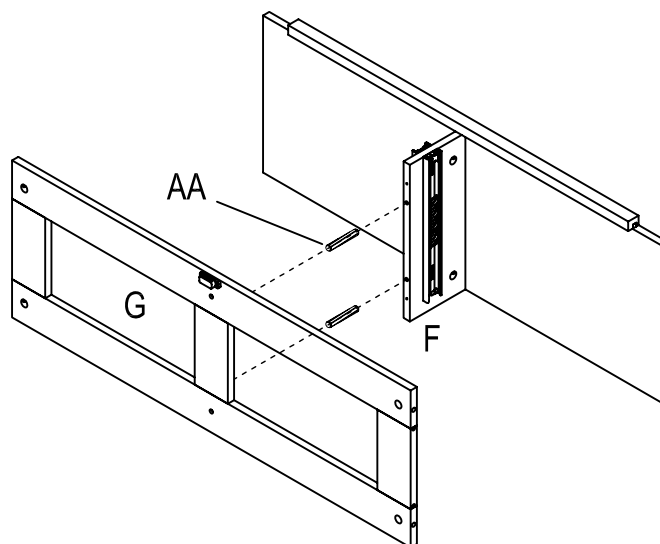
(CC) x 2



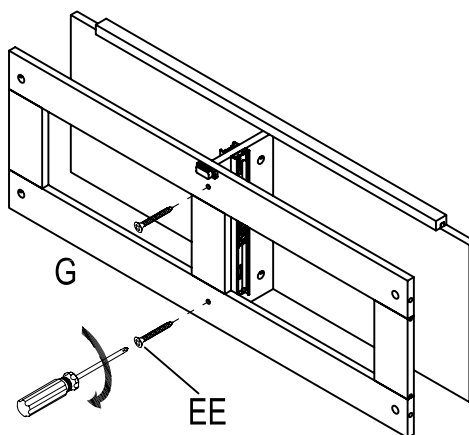
## Assembly (continued)

### 3 Attaching the bottom fixed panel to the partition

- a) Join panel (G) to partition (F) with dowel (AA).



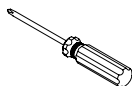
- b) Tighten panel (G) with screw (EE).



Wood dowel      1 in. Flat head screw      Small head

(AA) x 2

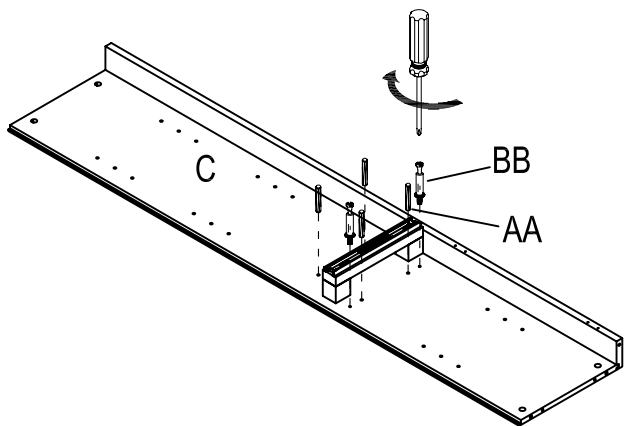
(EE) x 2



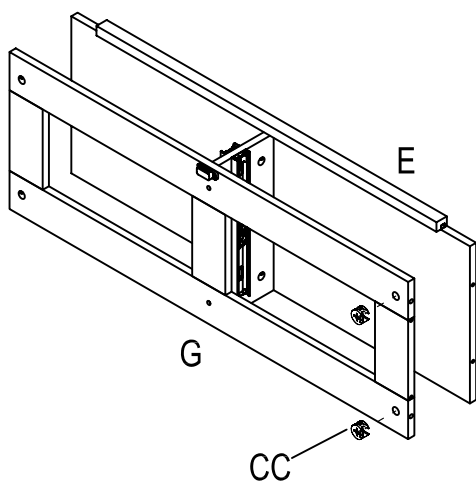
# Assembly (continued)

## 4 Attaching the right panel

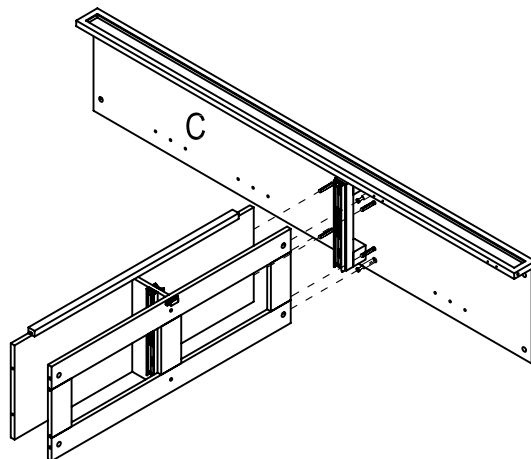
- a) Install dowel (AA) and bolt (BB) into panel (C).



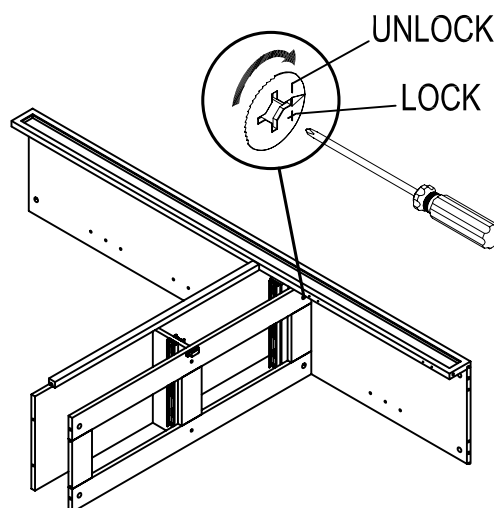
- b) Insert lock (CC) into panel (G).



- c) Join panel (C) to the assembled body with dowel (AA).



- d) Tighten bolt (BB) with lock (CC) in the pre-drilled holes.



Wood dowel

Cam lock bolt

Cam lock

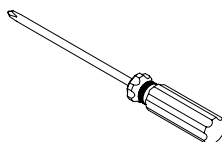
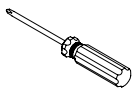
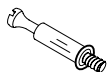
Small head

Large head

(AA) x 4

(BB) x 2

(CC) x 2

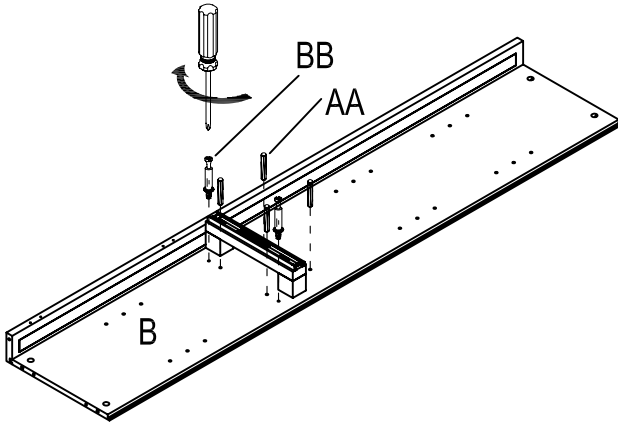




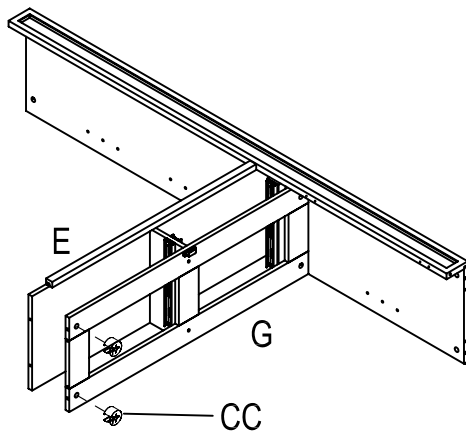
# Assembly (continued)

## 5 Attaching the left panel

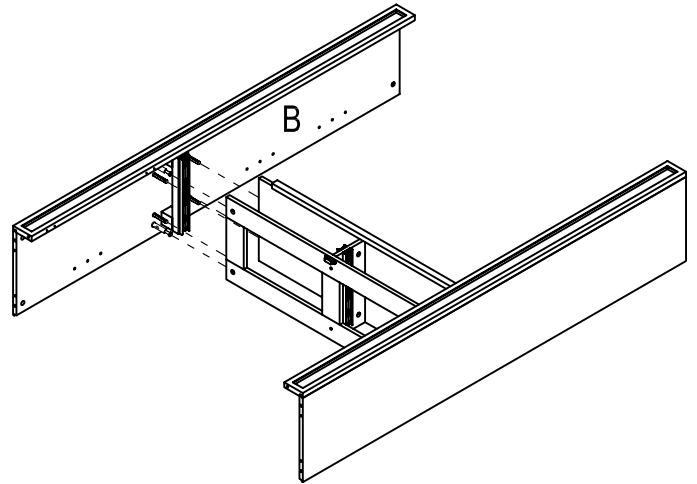
- a) Install dowel (AA) and bolt (BB) into panel (B).



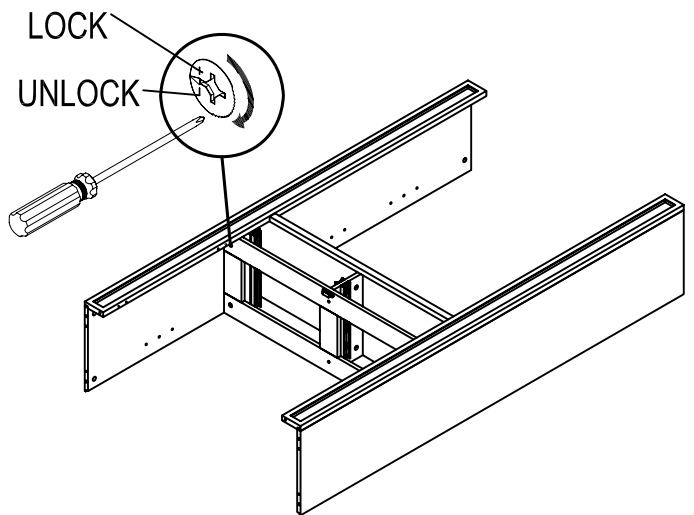
- b) Insert lock (CC) into panel (G).



- c) Join panel (B) to the assembled body with dowel (AA).



- d) Tighten bolt (BB) with lock (CC) in the pre-drilled holes.

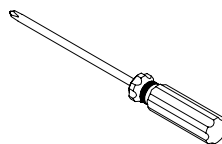
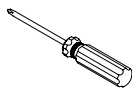
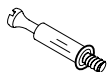


Wood dowel    Cam lock bolt    Cam lock    Small head    Large head

(AA) x 4

(BB) x 2

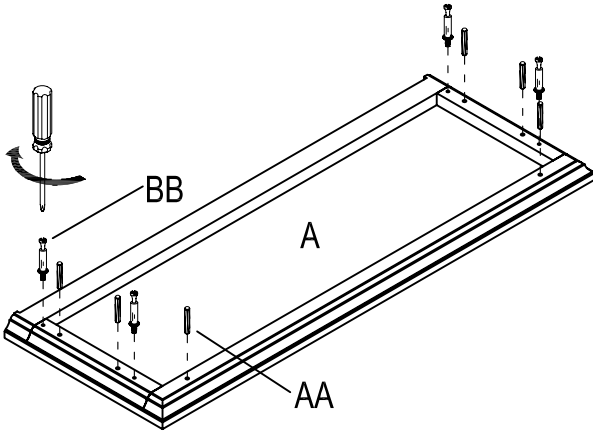
(CC) x 2



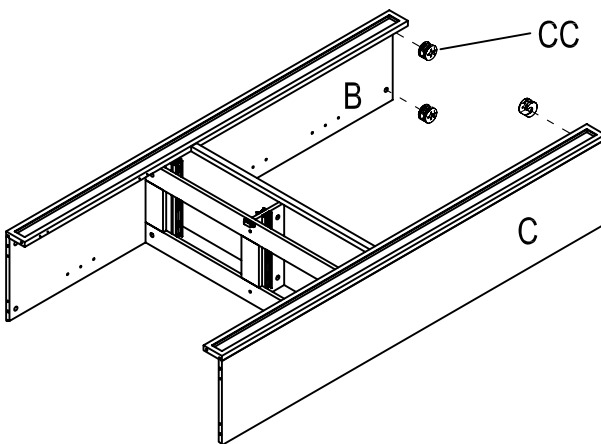
# Assembly (continued)

## 6 Attaching the top panel

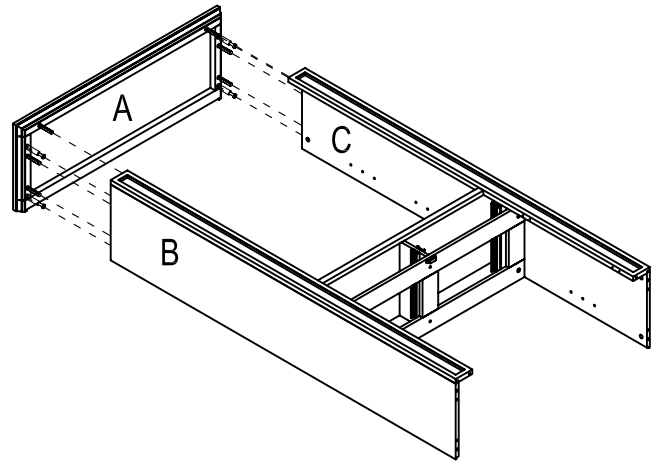
- a) Install dowel (AA) and bolt (BB) into panel (A).



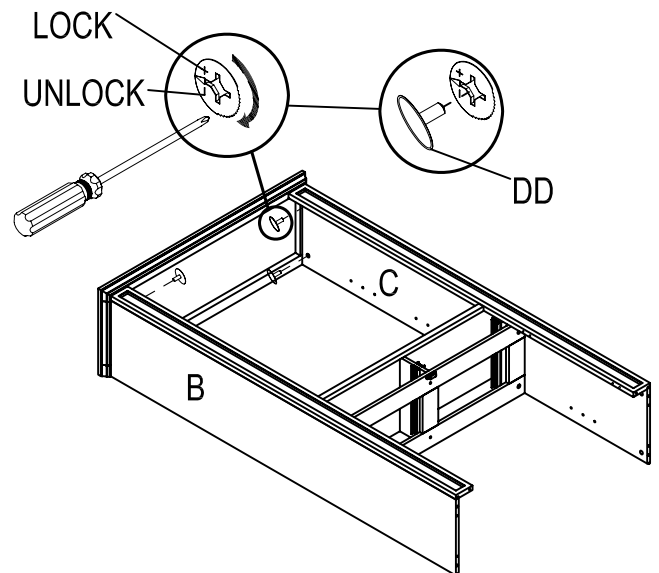
- b) Insert lock (CC) into panels (B) and (C).



- c) Join panel (A) to the assembled body with dowel (AA).



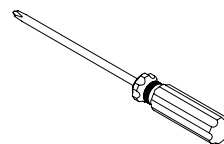
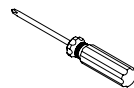
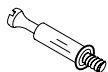
- d) Tighten bolt (BB) with lock (CC) in the pre-drilled holes.



- e) Cover the cam holes with the cover (DD).

Wood dowel    Cam lock bolt    Cam lock    Plastic cover    Small head    Large head

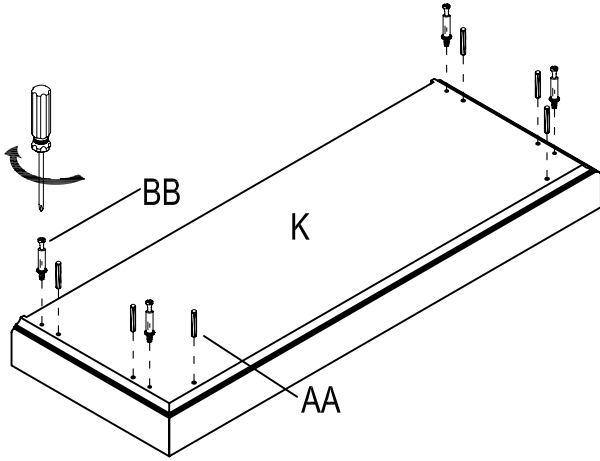
(AA) x 6    (BB) x 4    (CC) x 4    (DD) x 4



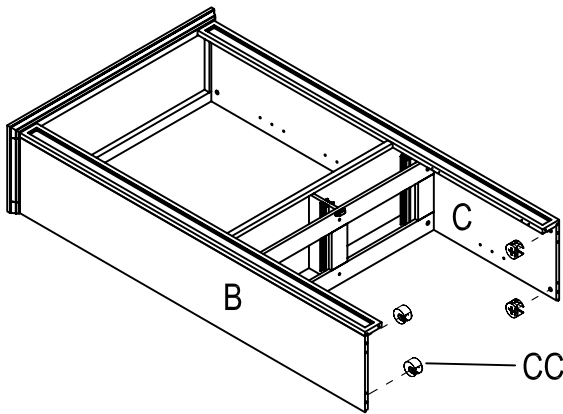
# Assembly (continued)

## 7 Attaching the bottom panel

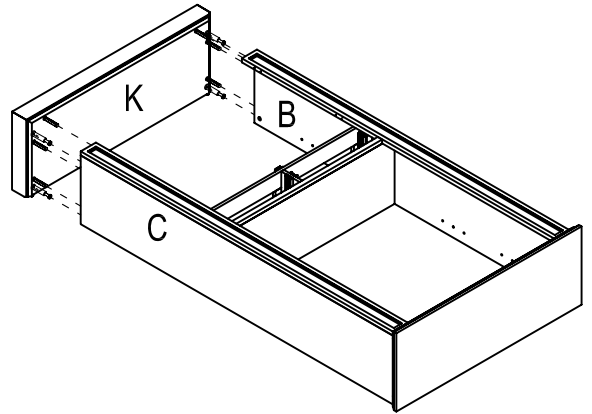
- a) Install dowel (AA) and bolt (BB) into panel (K).



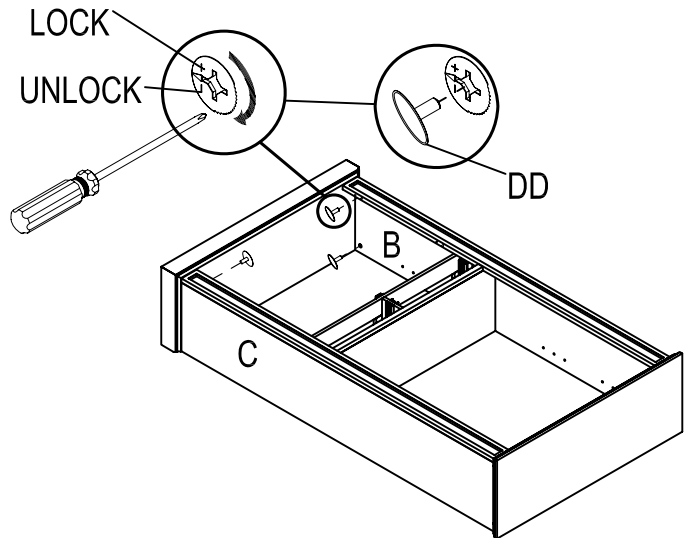
- b) Insert lock (CC) into panels (B) and (C).



- c) Join panel (K) to the assembled body with dowel (AA).



- d) Tighten bolt (BB) with lock (CC) in the pre-drilled holes.



- e) Cover the cam holes with the cover (DD).

Wood dowel

Cam lock bolt

Cam lock

Plastic cover

Small head

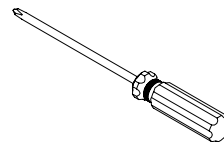
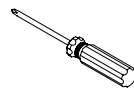
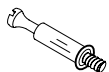
Large head

(AA) x 6

(BB) x 4

(CC) x 4

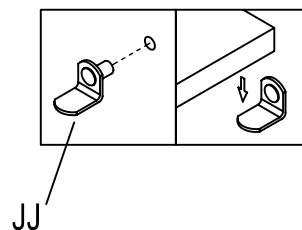
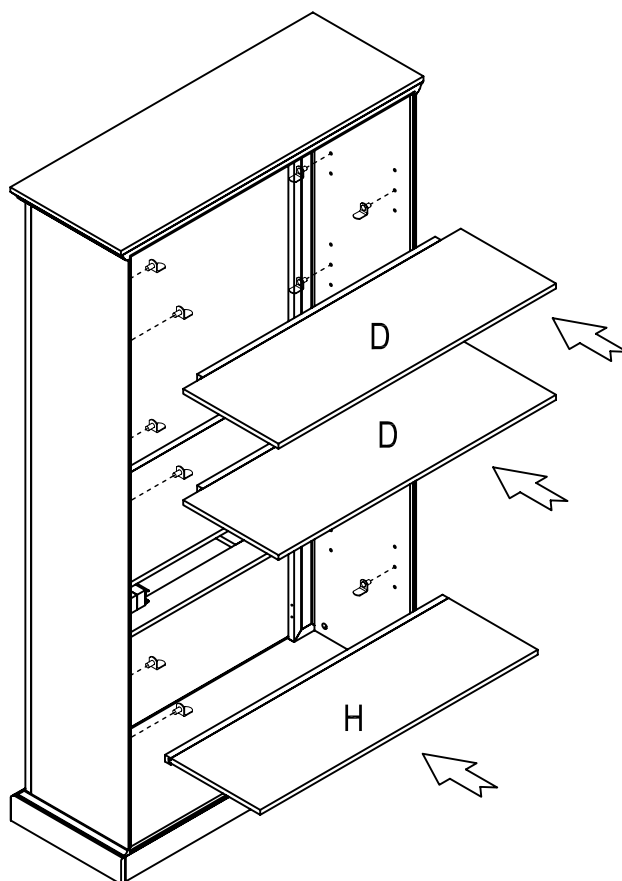
(DD) x 4



## Assembly (continued)

### 8 Assembling the adjustable shelf

- Insert shelf supports (JJ) in desired positions and place shelves (D) and (H) on the supports.



---

Shelf support

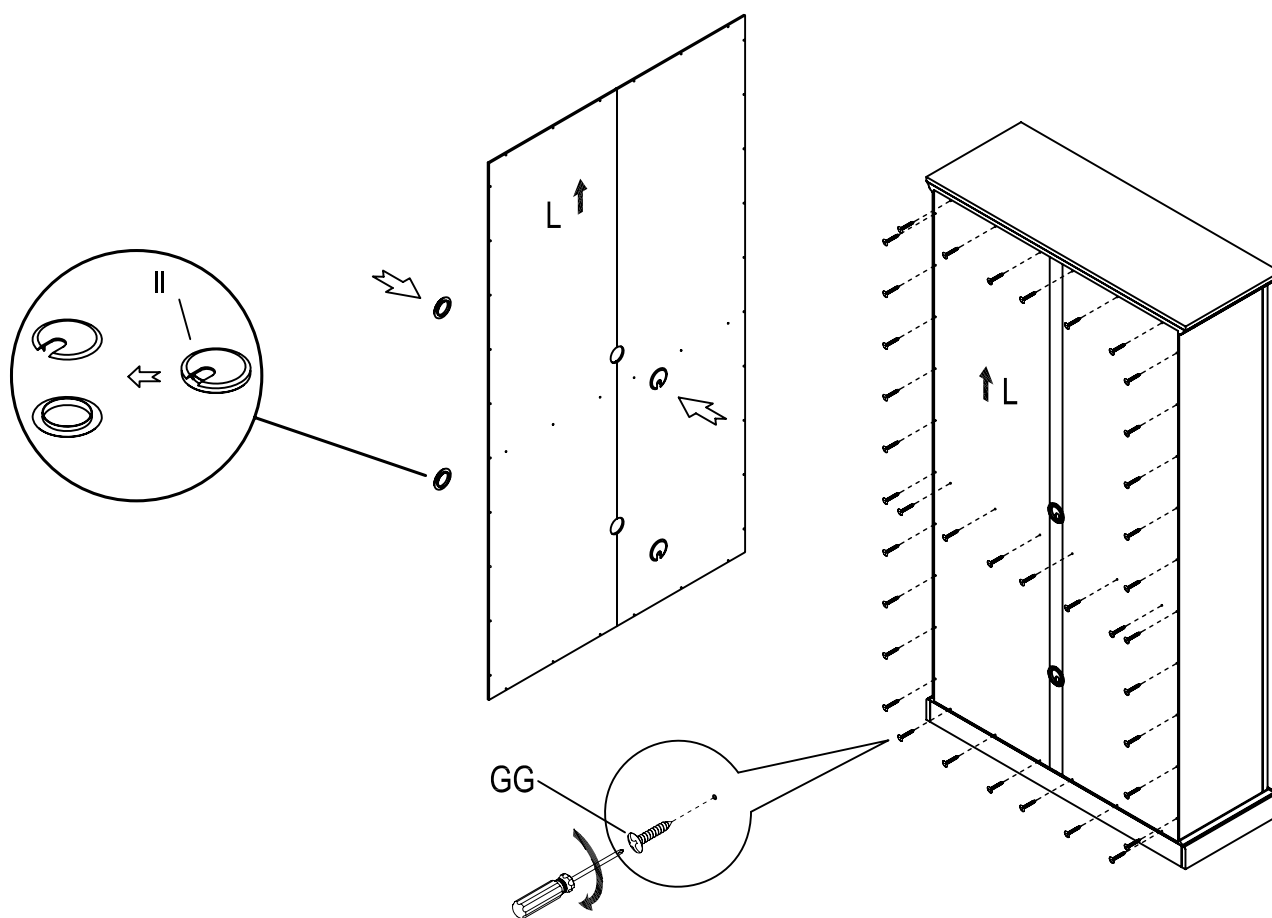
(JJ) x 12



## Assembly (continued)

### 9 Assembling the back panel

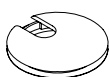
- a) Install wire plug (II) into panel (L) as shown.
- b) Tighten panel (L) to the assembled body with screws (GG) as shown.



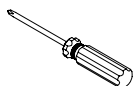
5/8 in. Round  
head screw  
(GG) x 38



Wire plug  
(II) x 2



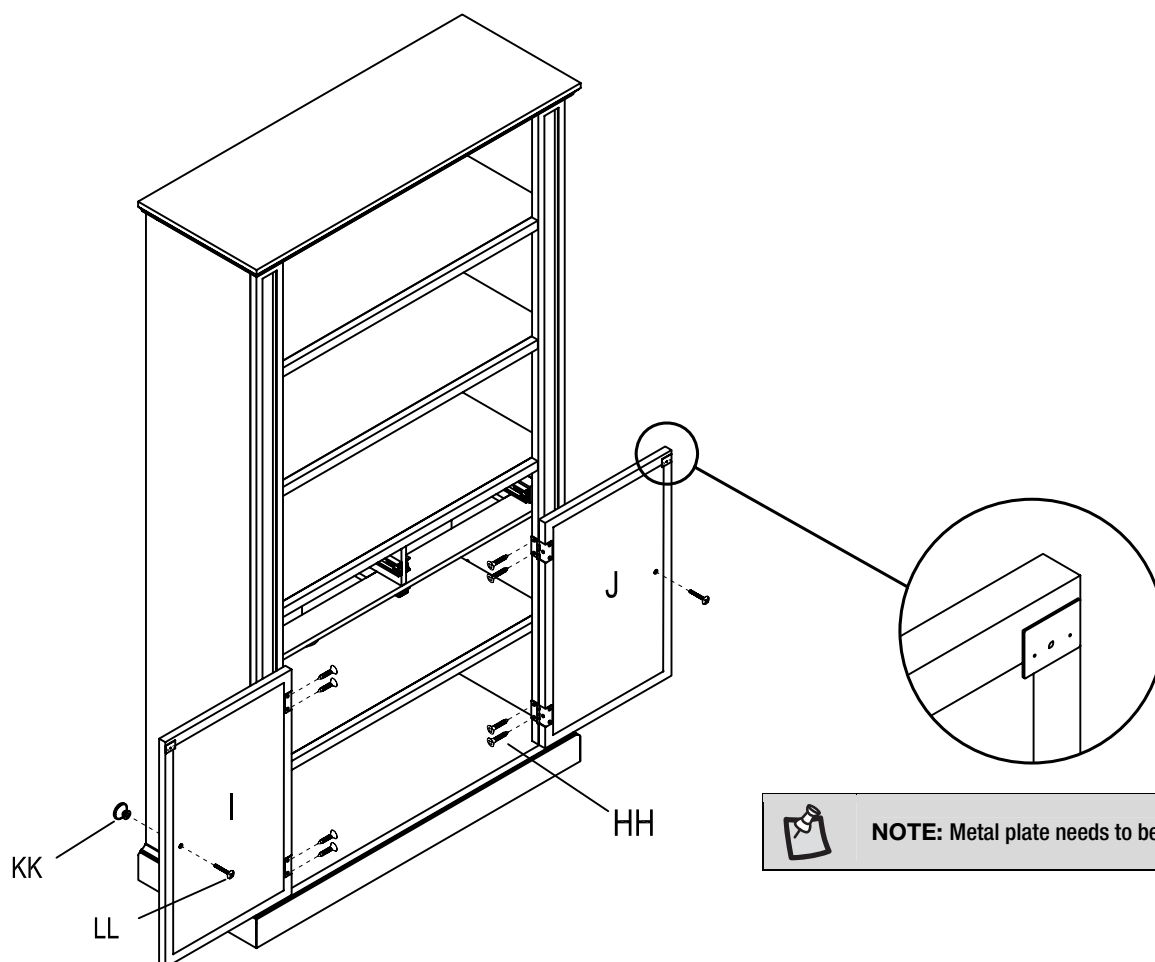
Small head



## Assembly (continued)

# 10 Attaching the door

- a) Attach left door (I) and right door (J) to the assembled body with screw (HH) as shown.



**NOTE:** Metal plate needs to be to the top.

- b) Attach knob (KK) to door (I) and door (J) with the bolt (LL).

1/2 in. Flat head screw

Knob

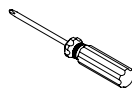
Knob bolt

Small head

(HH) x 8

(KK) x 2

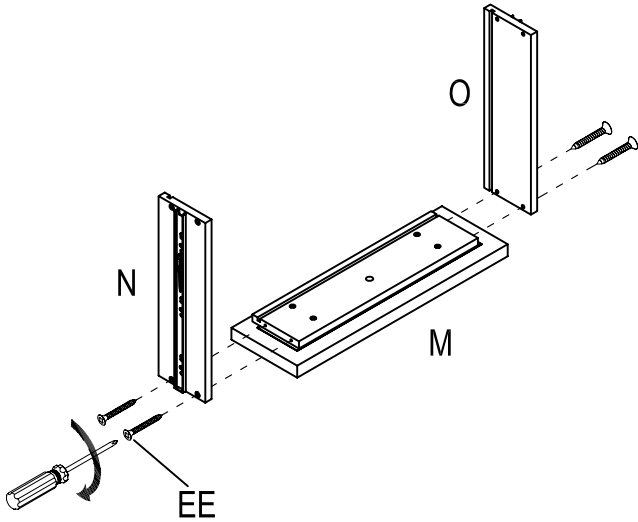
(LL) x 2



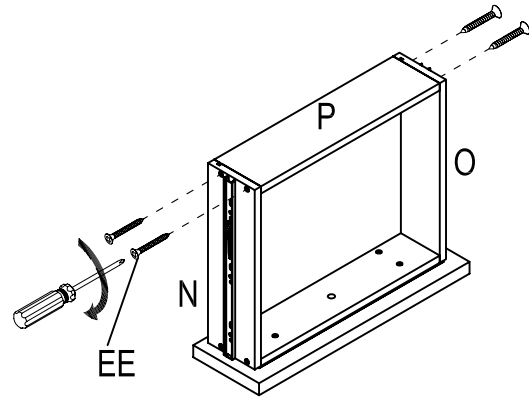
# Assembly (continued)

## 11 Assembling the drawer

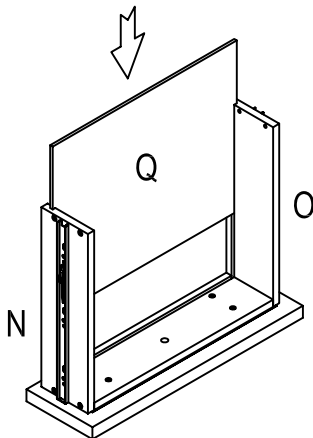
- a) Tighten panels (N) and (O) to panel (M) with screw (EE).



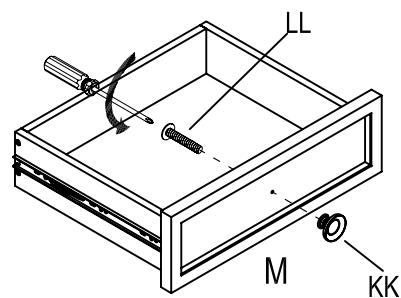
- c) Tighten panel (P) to the assembled body with screw (EE).



- b) Slide panel (Q) into the grooves on panels (N) and (O).



- d) Tighten knob (KK) to panel (M) with bolt (LL).



1 in. Flat head screw

Knob

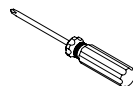
Knob bolt

Small head

(EE) x 16

(KK) x 2

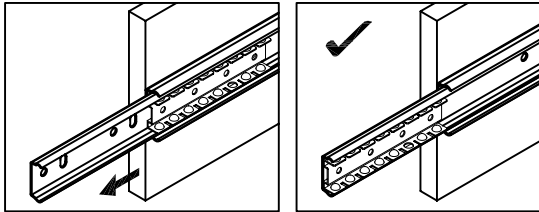
(LL) x 2



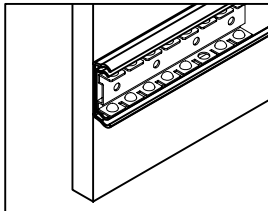
## Assembly (continued)

# 12 Inserting the drawer

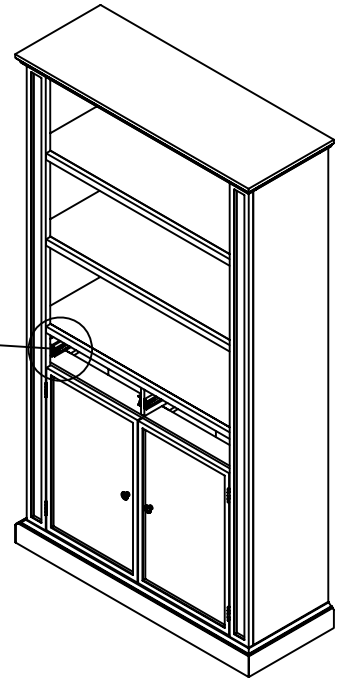
- Insert the drawer into the assembled body as shown.



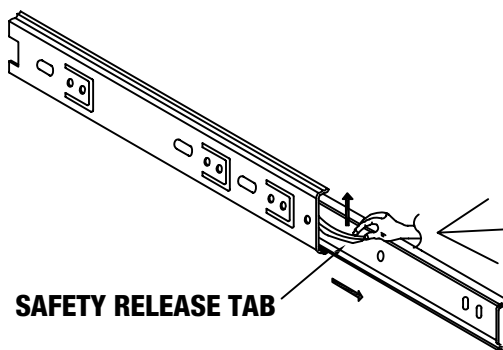
1. Pull out slide. Slide bearings forward.



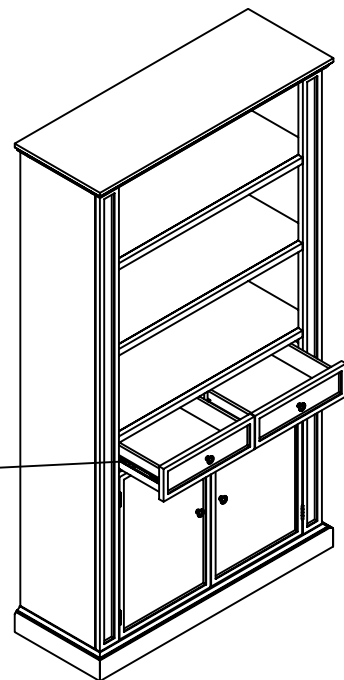
2. Push slide back inside.  
Repeat for every slide!



**NOTE:** Make sure the slide piece is at the front end of the glide when installing the drawer into the body.



**SAFETY RELEASE TAB**



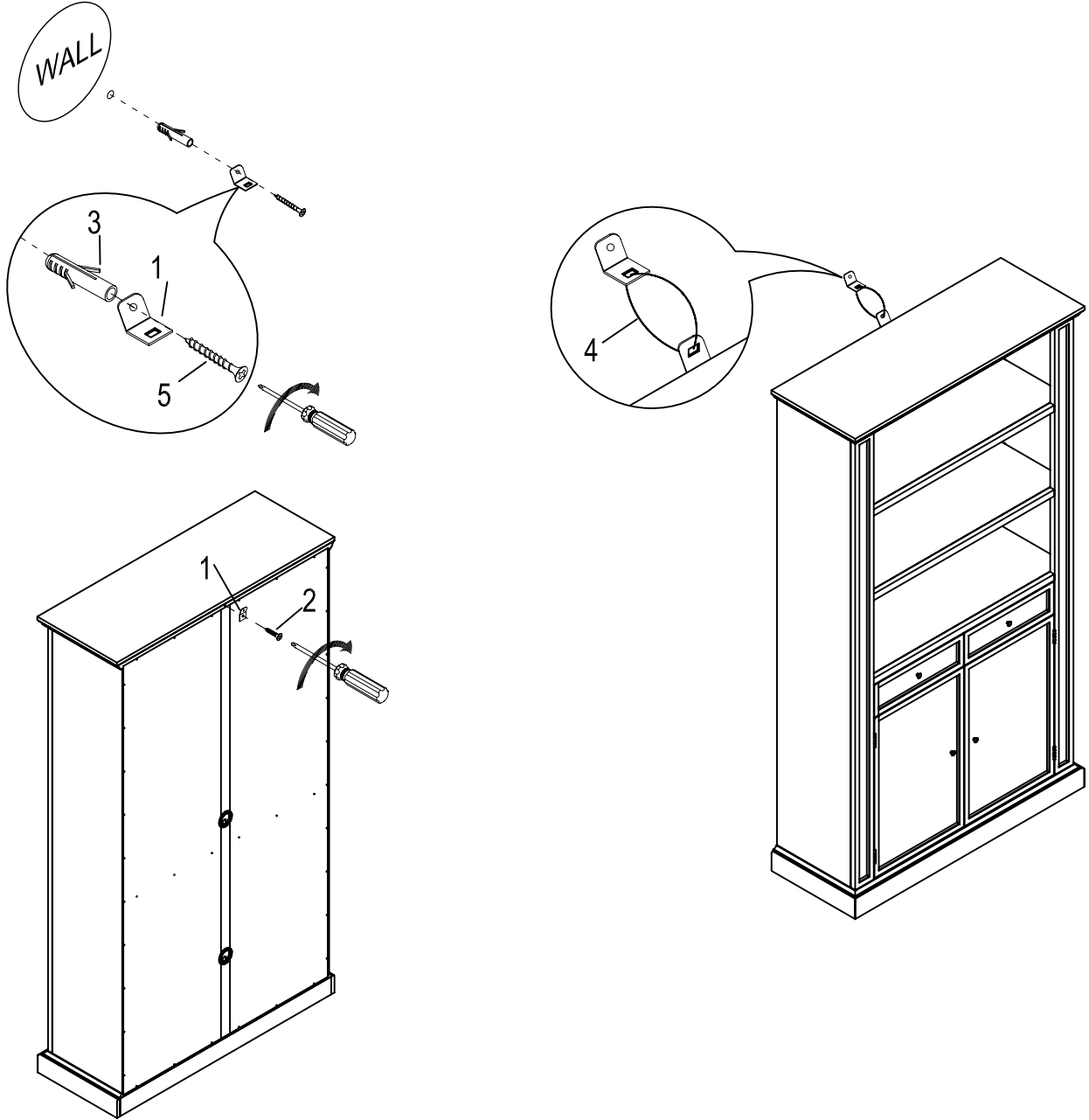
**NOTE:** When removing the drawer, tip-up the safety release tab to remove the drawer from the body.





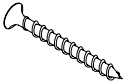
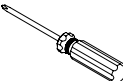


# Assembly (continued)

## 13 Finalizing the assembly

- Install the anti-tipping hardware as shown.



Rectangle metal plate (1) x 2	1/2 in. Flat head screw (2) x 1	Plastic anchor (3) x 1	Plastic band (4) x 1	1-1/2 in. Flat head screw (5) x 1	Small head
					

HOME  
DECORATORS  
COLLECTION®

Questions, problems, missing parts?  
Before returning to the store, call Home Decorators Collection Customer Service.  
8 a.m. – 7 p.m., EST, Monday – Friday, 9 a.m. – 6 p.m., EST, Saturday

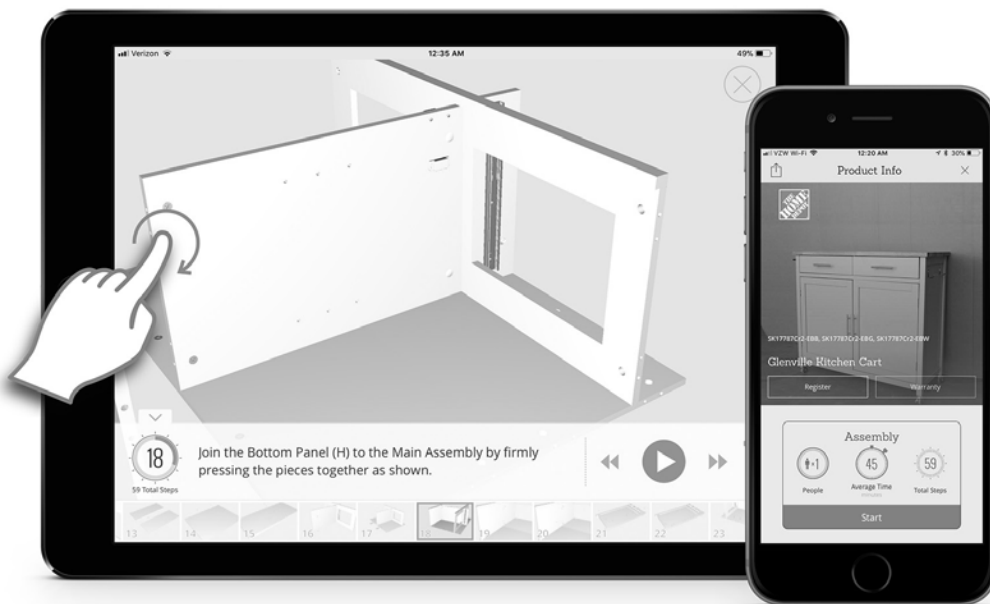
**1-800-998-7021**

**[HOMEDEPOT.COM/HOMEDECORATORS](https://www.homedepot.com/homedecorators)**

Retain this manual for future use.

# IMPORTANT

Easy step-by-step  
interactive 3D instructions  
*for this product can be found in*



## BILT<sup>®</sup> INTELLIGENT INSTRUCTIONS



Available on most iOS and Android devices

### DOWNLOAD THE FREE APP

