

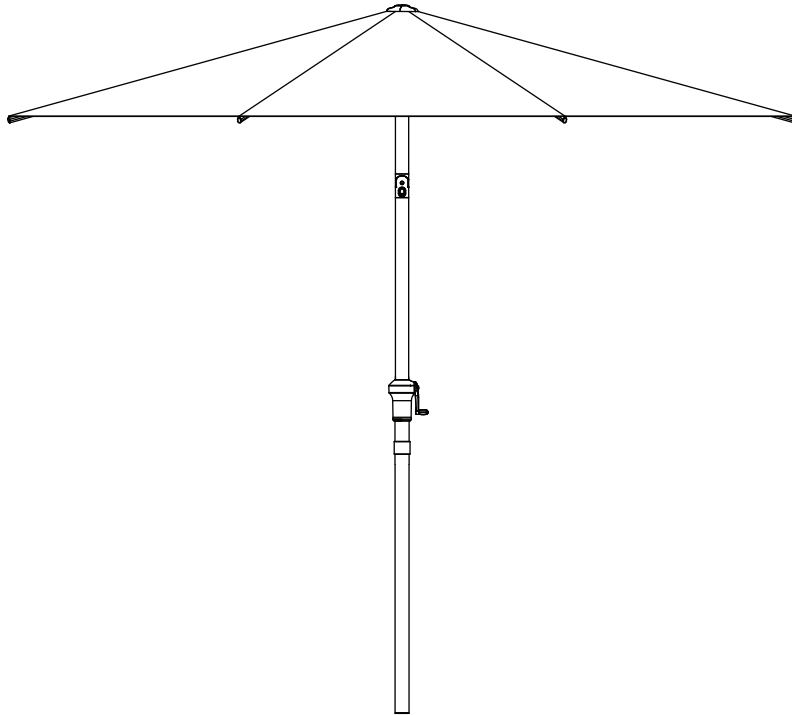


Item # 1002 654 821, 1002 654 816,
1002 062 607, 1002 656 417,
1002 062 593, 1002 556 664

Model # YJAUC-171-JT,
YJAUC-171-DM,
YJAUC-171-RUBY,
YJAUC-171-PK,
YJAUC-171-CAFÉ,
YJAUC-171-EC

USE AND CARE GUIDE

9 FT. STEEL UMBRELLA



Questions, problems, missing parts? Before returning to the store,
call Hampton Bay Customer Service.
8 a.m. - 7 p.m., EST, Monday - Friday, 9 a.m. - 6 p.m., EST, Saturday

1-855-HD-HAMPTON

HAMPTONBAY.COM

THANK YOU

We appreciate the trust and confidence you have placed in Hampton Bay through the purchase of this umbrella. We strive to continually create quality products designed to enhance your home. Visit us online to see our full line of products available for your home improvement needs. Thank you for choosing Hampton Bay!

Table of Contents


Table of Contents.....	2	Pre-Assembly	3
Safety Information.....	2	Planning Assembly	3
Product Caution.....	2	Package Contents	3
Safety Warning.....	2	Assembly	4
Warranty.....	2	Operation.....	5
What is Covered.....	2	Care and Cleaning	7
What is Not Covered	2		


Safety Information


PRODUCT CAUTION


This umbrella was made for the explicit purpose of providing outdoor functions and is not to be used as a toy. This product is intended for normal outdoor use; however, the manufacturer recommends storing and / or covering this umbrella when any formidable / severe weather is approaching. Do not locate the product near open flame. Do not use as a support. Do not shake, lean, or climb on product. Children under the age of 10, near the product, should be supervised by a competent adult at all times. This product is not intended for commercial use and will void the warranty.

SAFETY WARNINGS

 **WARNING:** Please keep children out of the assembly area before assembly.

 **WARNING:** This umbrella unit is heavy, and may require two adults for safe assembly.

 **CAUTION:** Never use the umbrella in high wind conditions. Damage to the umbrella can occur.

 **CAUTION:** Keep all flame and heat sources away from this product at all times.

Warranty

1 YEAR FRAME AND FABRIC WARRANTY

WHAT IS COVERED

We warrant the frame and fabric to be free of manufacturing defects to the original purchaser for one year.

WHAT IS NOT COVERED

It remains the customer's responsibility for freight and packaging charges to and from our service center. This warranty does not cover commercial use, hardware, acts of nature, fire, freezing and abusive use. In addition, purchased parts are not covered under this warranty. We reserve the right to make substitutions with similar merchandise, if the model in question is no longer in production.

Contact the Customer Service Team at 1-855-HD-HAMPTON or visit www.HamptonBay.com.

Pre-Assembly

PLANNING ASSEMBLY

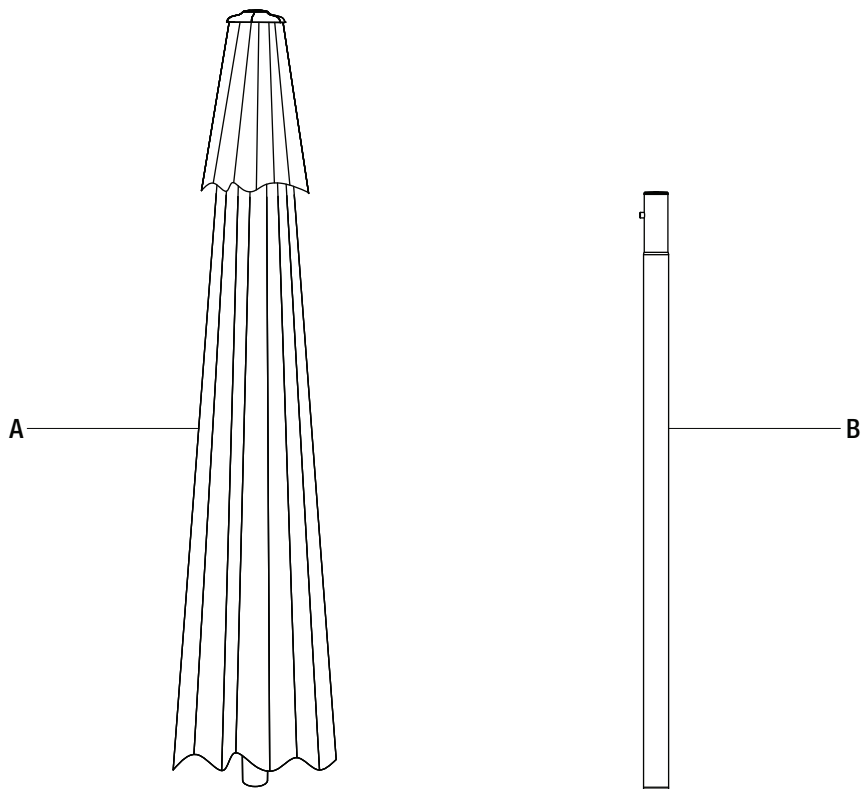
Read all instructions before assembly.

To avoid damaging this product, assemble it on a soft, non-abrasive surface such as carpet or cardboard.



NOTE: More than one person may be required to complete the assembly of this product.

PACKAGE CONTENTS

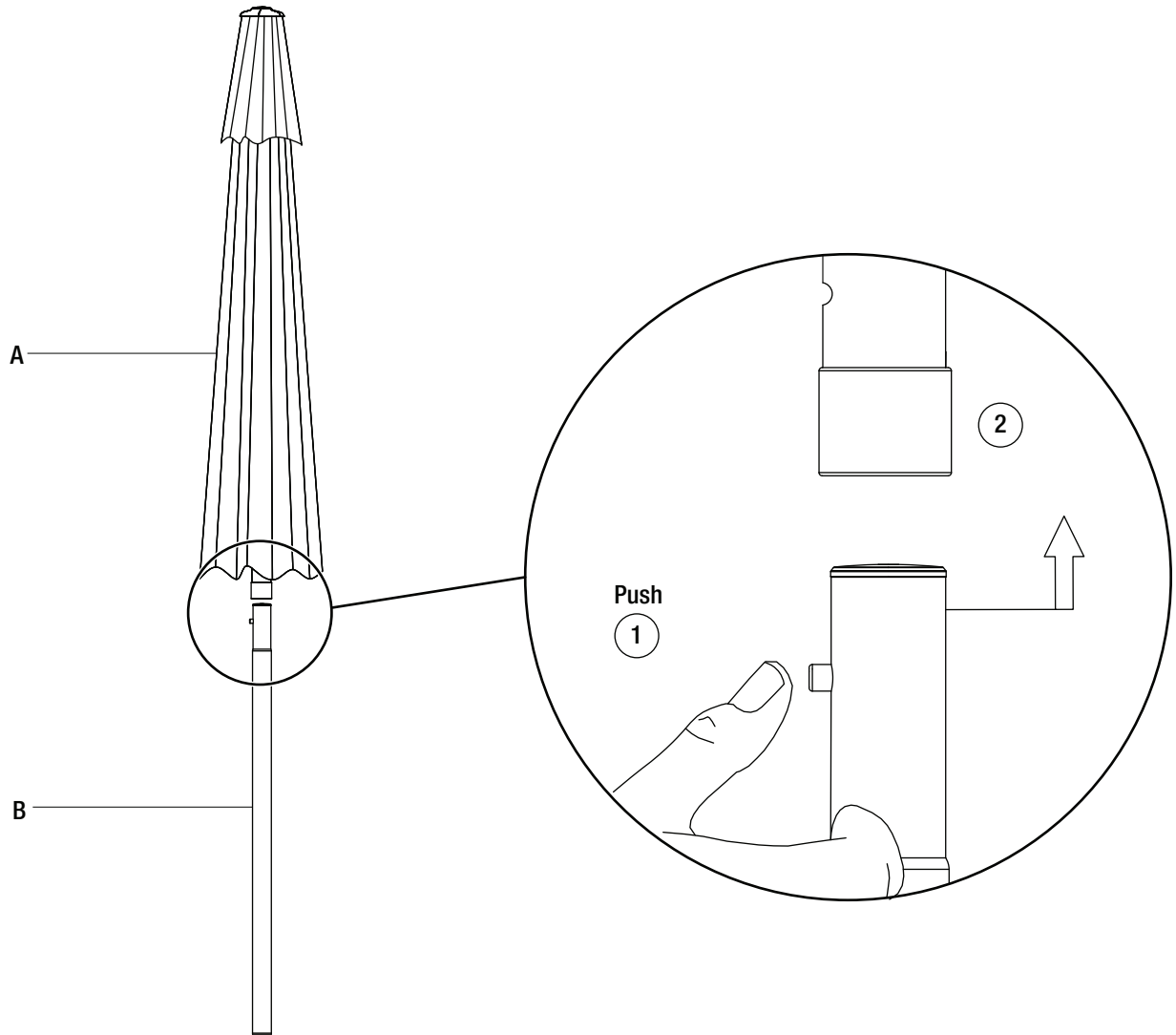


Part	Description	Quantity
A	Umbrella shade	1
B	Umbrella pole	1

Assembly

1 Assembling the umbrella shade to the umbrella pole

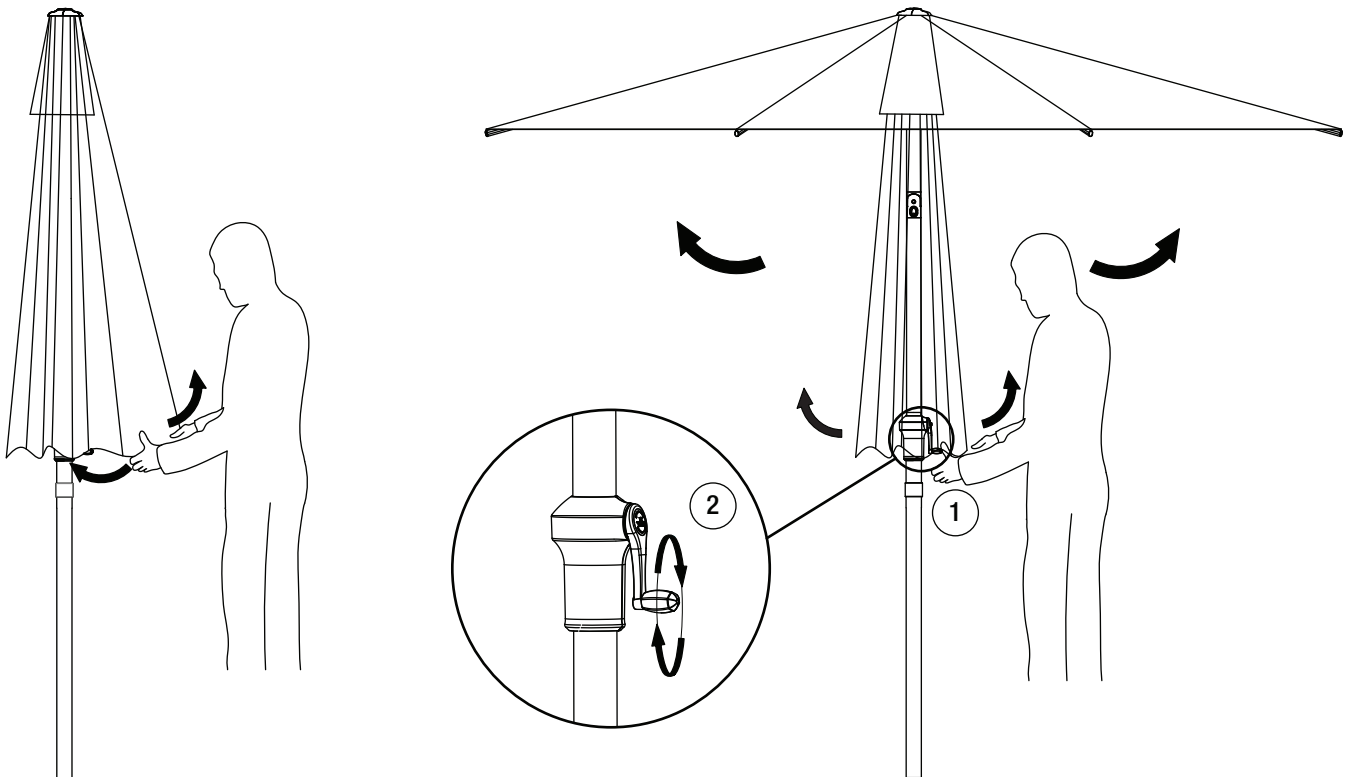
- Place the umbrella shade (A) over the umbrella pole (B). Push the tab on the umbrella pole (B) while you slide the umbrella pole (B) into the umbrella shade (A) until the two pieces snap into place.



Operation

1 Opening the umbrella

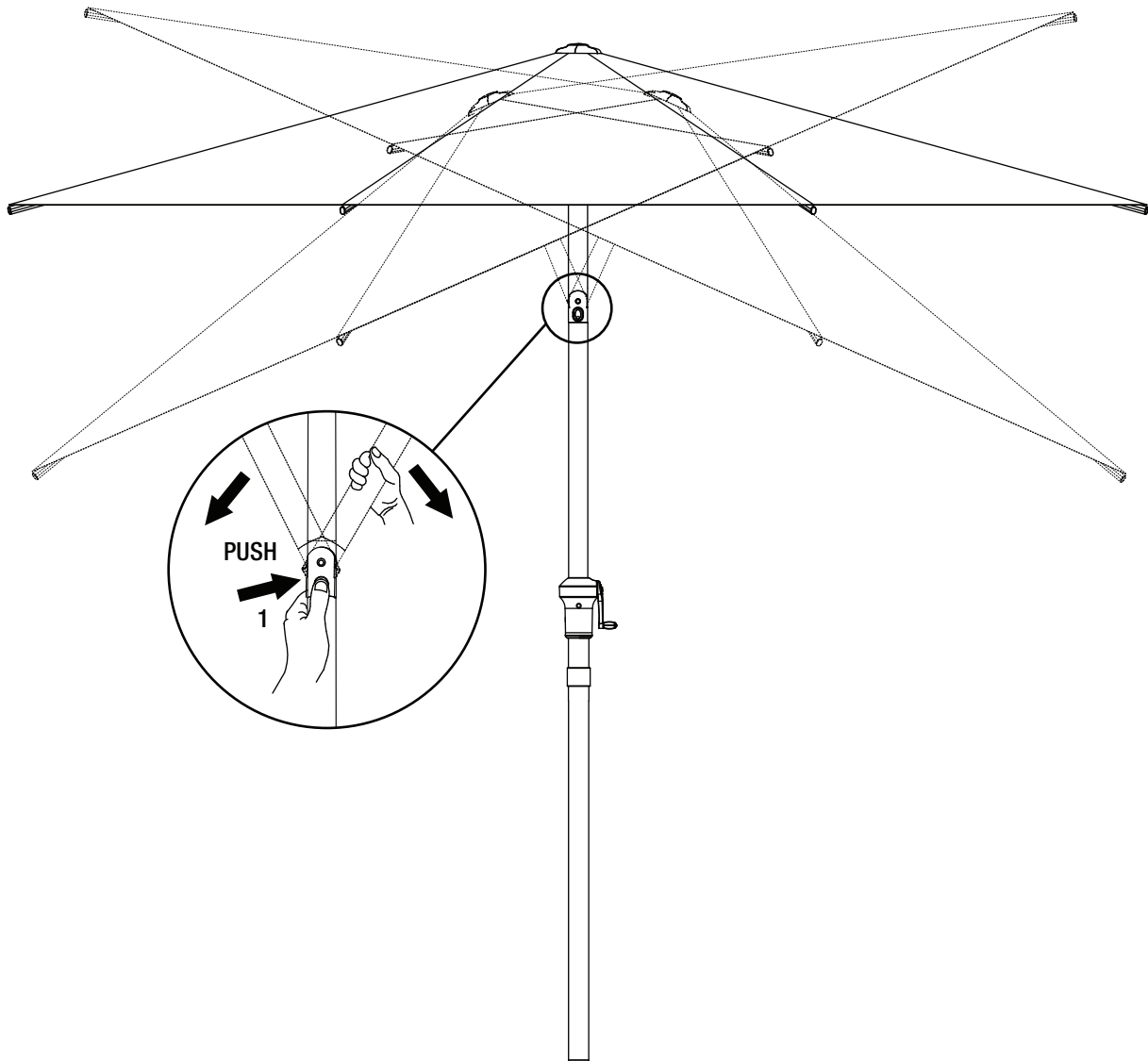
- Shake the umbrella fabric before opening the umbrella.
- Slowly turn the crank clockwise to open the umbrella.



Operation (continued)

2 Tilting the umbrella

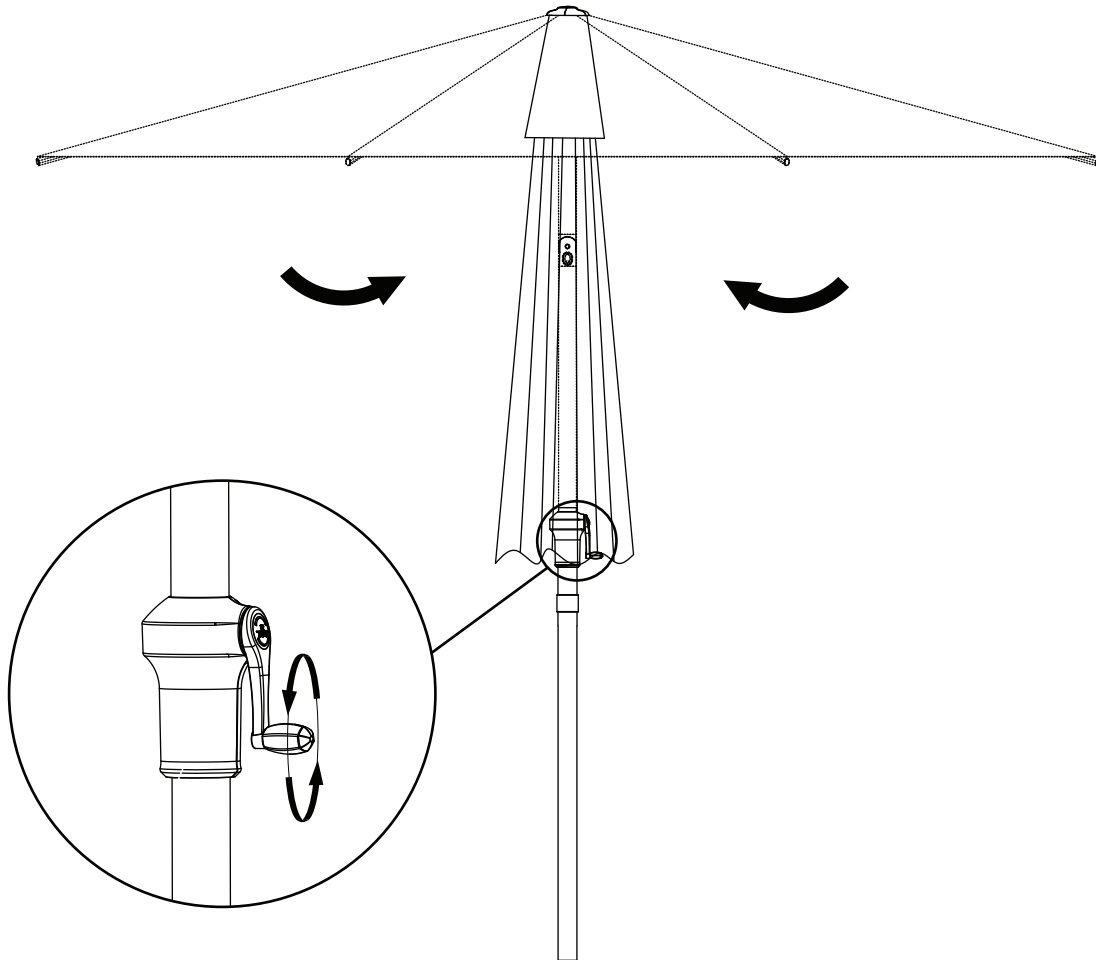
- To tilt the umbrella, push the button located on the top of the umbrella shade (A).



Operation (continued)

3 Closing the umbrella

- Slowly turn the crank in a counterclockwise direction to close the umbrella.



Care and Cleaning

- For best results, clean the pole with a damp cloth and dry thoroughly. This will help prevent mildew by removing dirt particles that may accumulate.
- Do not clean with abrasive materials, bleach, or solvents.
- Clean the umbrella fabric with a mild soap and water mixture. Rinse thoroughly with clean water and allow fabric to air dry completely.
- Always keep the umbrella closed when it is not in use.
- Keep the umbrella out of fire, extreme heat, freezing conditions, and inclement weather such as rain, hail, sleet, snow, or wind.



Questions, problems, missing parts? Before returning to the store,
call Hampton Bay Customer Service.
8 a.m. - 7 p.m., EST, Monday - Friday, 9 a.m. - 6 p.m., EST, Saturday

1-855-HD-HAMPTON

HAMPTONBAY.COM

Retain this manual for future use.