

Ivy Terrace™

Model: IVAD5030

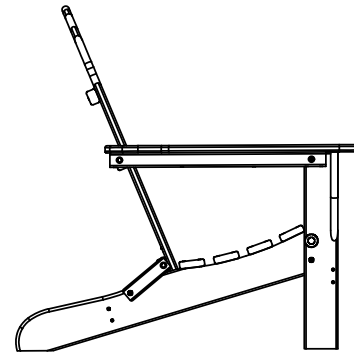
Step 1

Unfold chair assembly

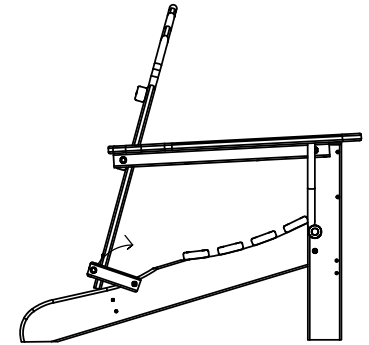
Step 2

Insert (2) 2 1/4" bolts, washers and locknuts into pre-drill holes
Then insert pins

Step 1



Correct



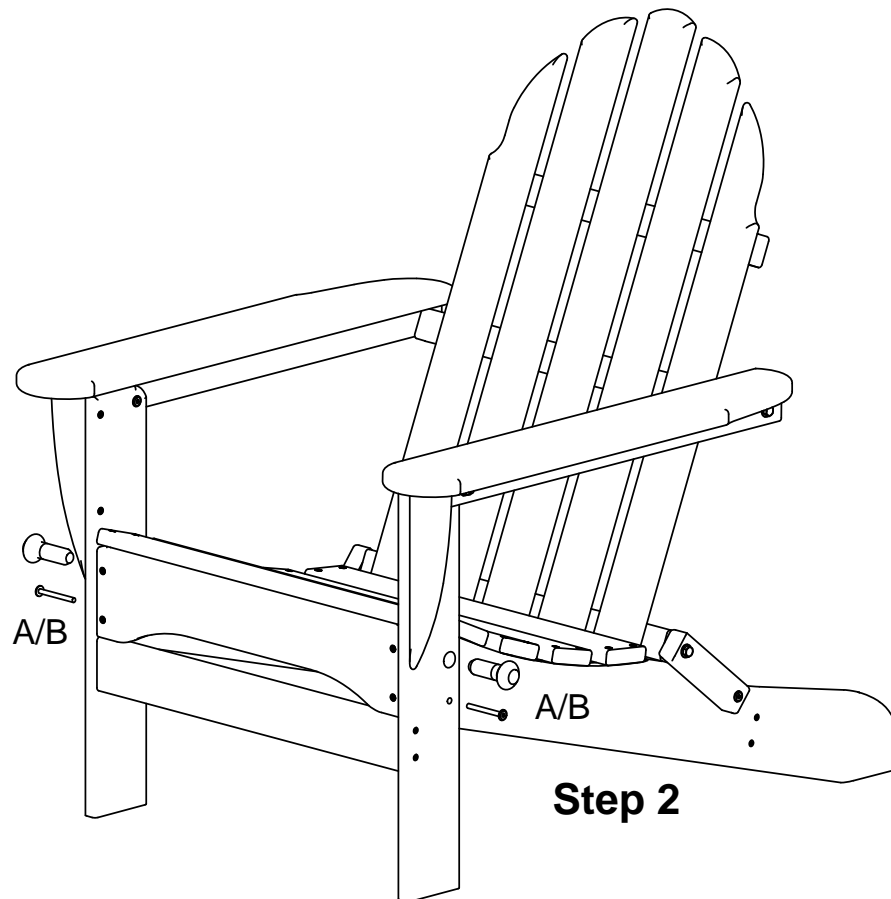
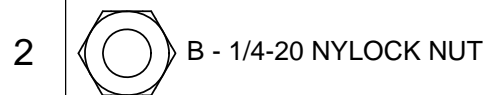
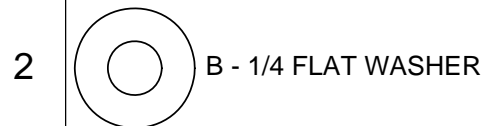
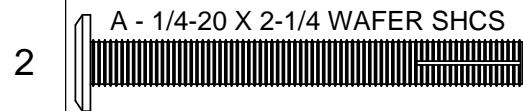
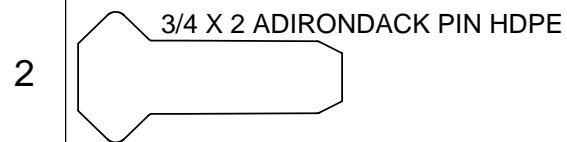
Incorrect

TOOLS NEEDED

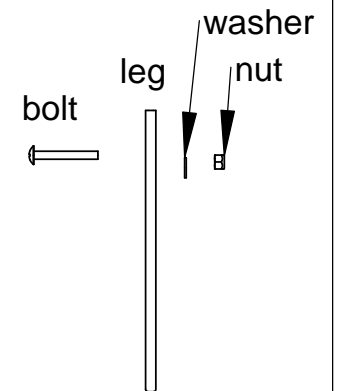


4MM HEX KEY, ALLEN, T-HANDLE
(INCLUDED)

Qty.	Description
2	3/4 X 2 ADIRONDACK PIN HDPE
2	A - 1/4-20 X 2-1/4 WAFER SHCS
2	B - 1/4 FLAT WASHER
2	B - 1/4-20 NYLOCK NUT



Step 2

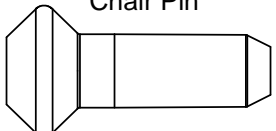


Ivy Terrace™

Model: IVOT53

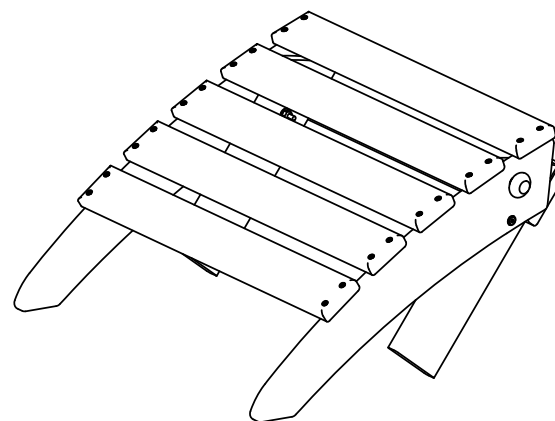
- (1) Ottoman assembly
- (1) Hardware pack

NO TOOLS NEEDED

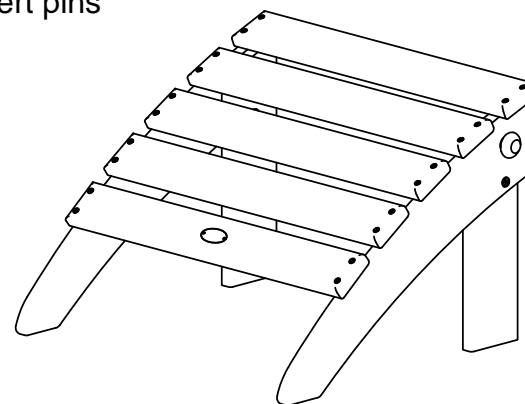
Qty.	Description
2	 Chair Pin

ASSEMBLY INSTRUCTIONS

Step 1
Fold legs out of ottoman



Step 2
Insert pins



12/17/2012