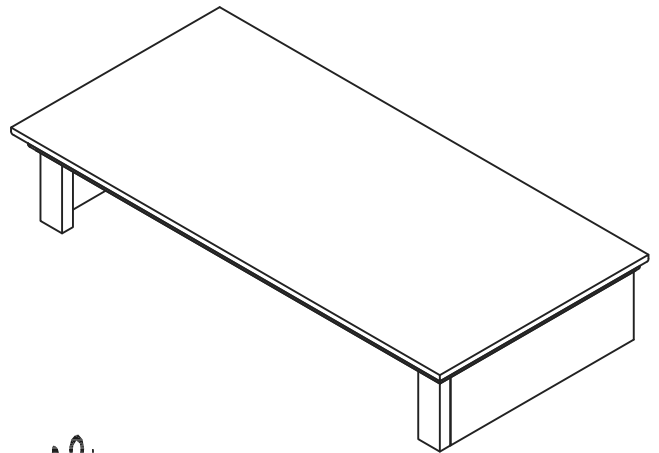


# 88 5576 00

## Media Hutch



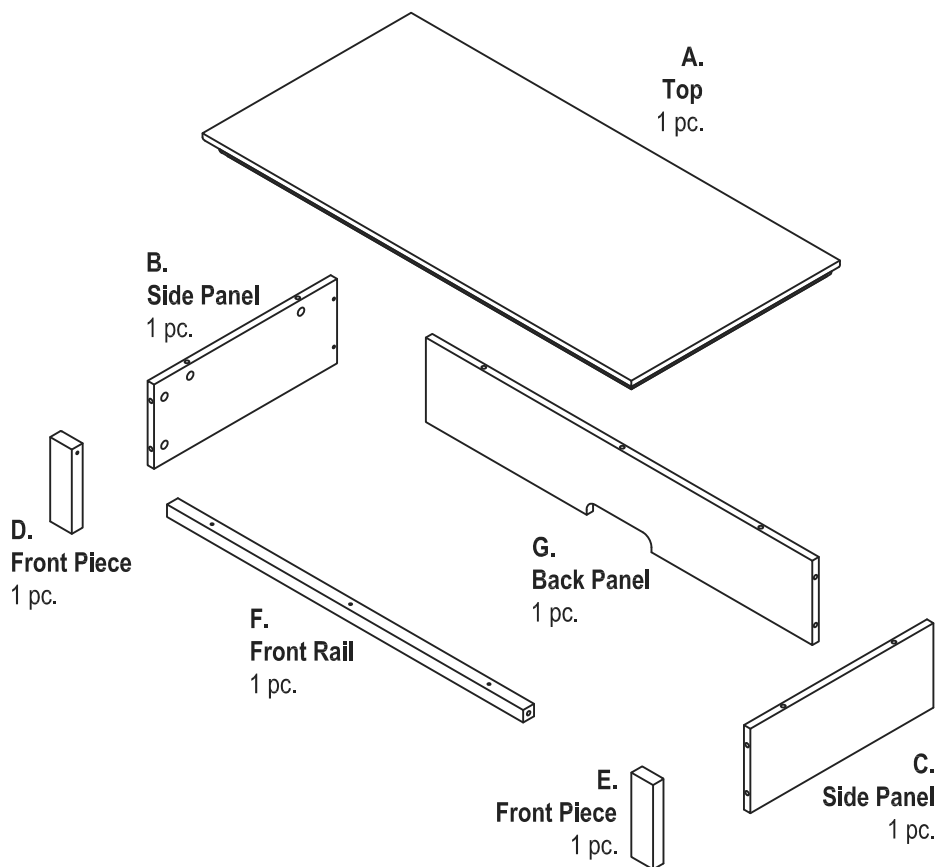
*Home Styles*

### IMPORTANT NOTE

Carefully remove all the parts from the carton and put them individually on a soft cloth to prevent scratches or other damages occurring to the parts.

We have taken great care in the design of this product and request that you carefully and strictly follow our assembly instructions to ensure a completed product as it was designed.

## Part List



## Hardware List



Cam Lock Screw  
17 pcs. (+1 extra)



Cam Lock  
17 pcs. (+1 extra)



Screw  
3 pcs. (+1 extra)

Tools Required For Assembly : Phillips screwdriver

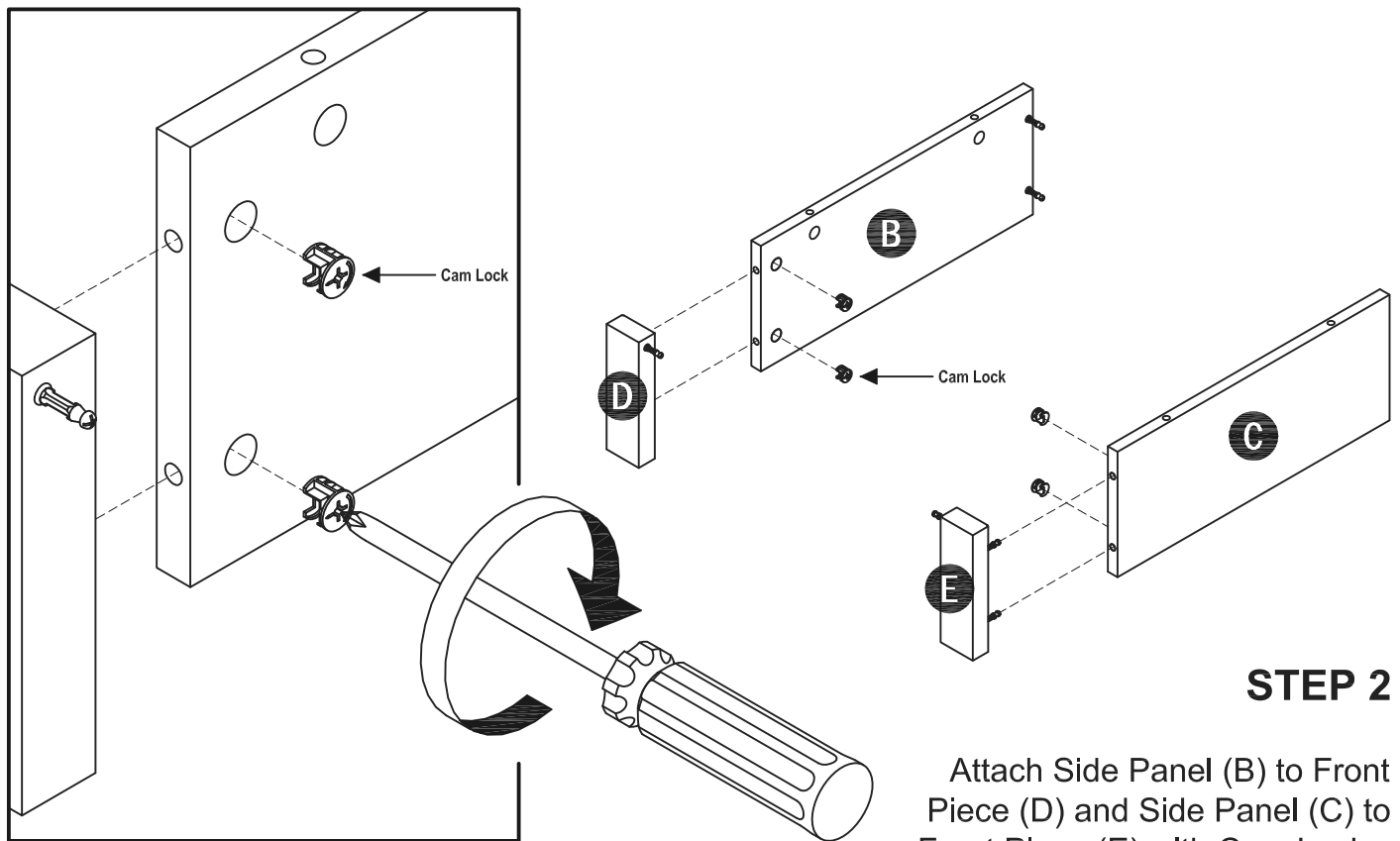
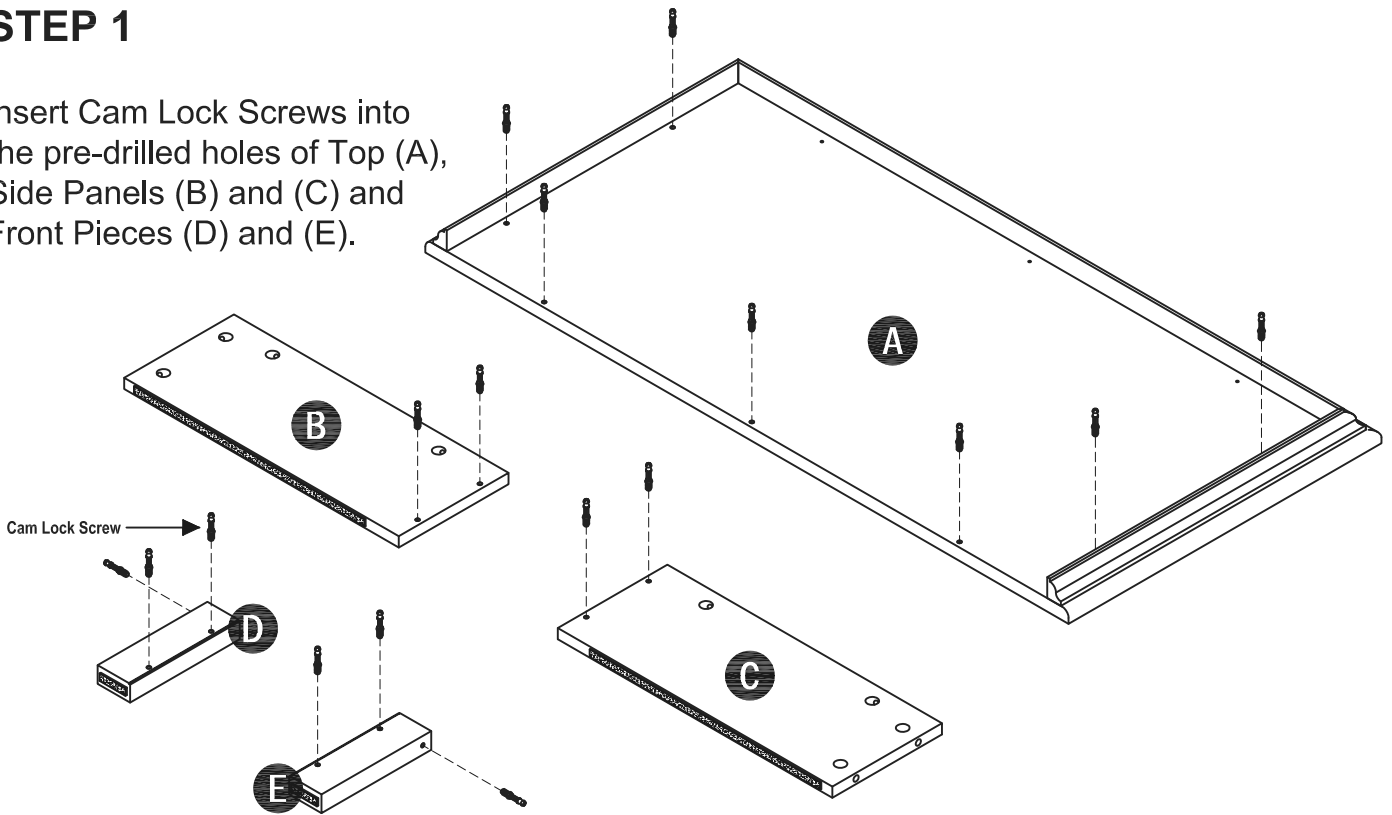
**Home Styles Consumer Assistance:** [www.homestyles-furniture.com](http://www.homestyles-furniture.com),  
[servicedesk@homestyles-furniture.com](mailto:servicedesk@homestyles-furniture.com), 888-680-7460, 877-831-0319

**IMPORTANT**

- \* Do not tighten up all the screws until each part is properly assembled.
- \* Use a soft cloth between these parts and the floor.

**STEP 1**

Insert Cam Lock Screws into the pre-drilled holes of Top (A), Side Panels (B) and (C) and Front Pieces (D) and (E).



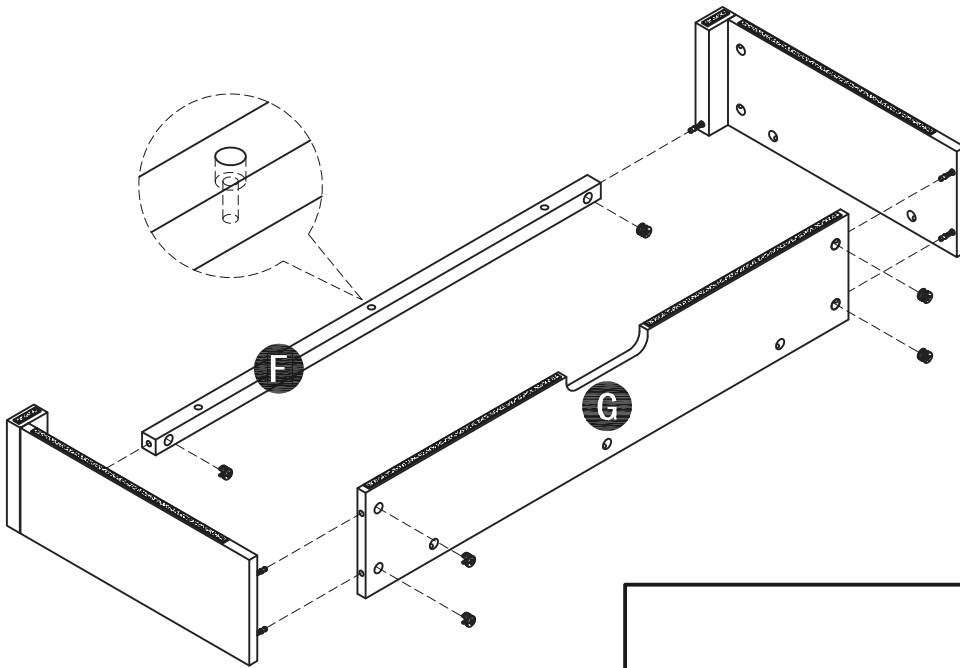
**STEP 2**

Attach Side Panel (B) to Front Piece (D) and Side Panel (C) to Front Piece (E) with Cam Locks. (See Figure 1).

Figure 1

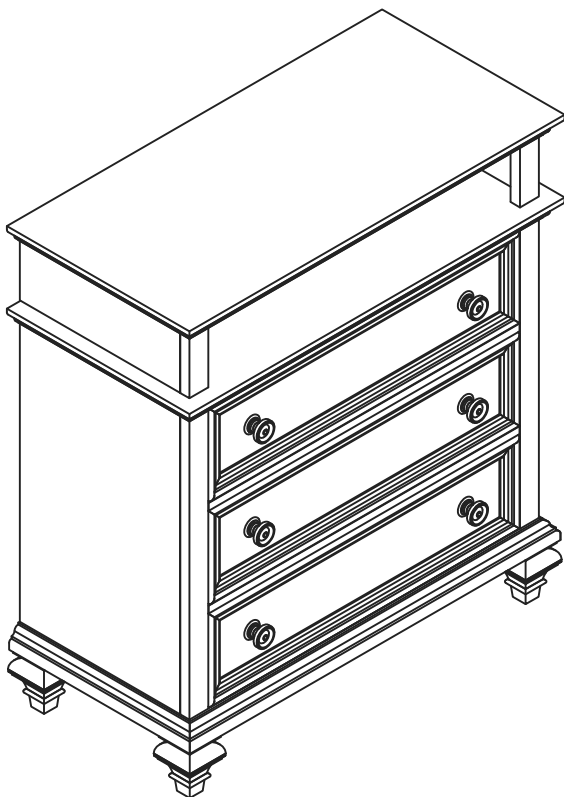
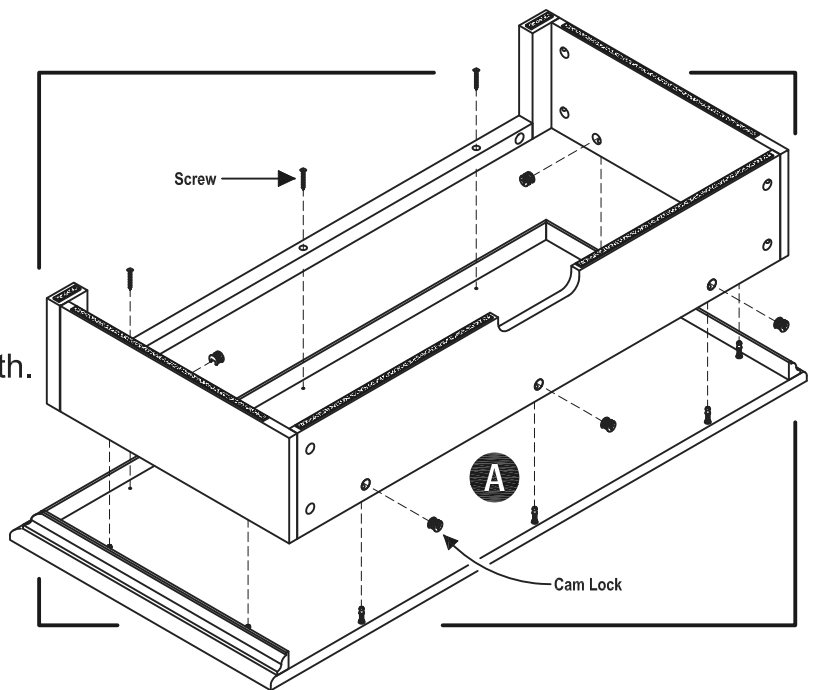
## STEP 3

Attach unit from Step 2 to Front Rail (F) and Back Panel (G) with Cam Locks.



## STEP 4

Turn Top (A) upside down on a soft cloth. Attach unit to Top (A) with Cam Locks and Screws.



## STEP 5

Place the unit on the top of Chest.

# VERY IMPORTANT !!

## CARE INSTRUCTIONS

### NEVER

USE GLASS CLEANERS ON FINISHED FURNITURE. AMMONIA WILL CHEMICALLY ATTACK THE FINISH.

### NEVER

ALLOW LIQUIDS OF ANY KIND TO REMAIN ON THE FURNITURE. ABSORPTION CAUSES PART TO WARP AND SPLIT AND FINISHES TO DELAMINATE.

DO NOT WRITE DIRECTLY ON SURFACE.



**PREVENT MARKING**

DO NOT PLACE IN DIRECT SUNLIGHT.



**PREVENT FADING**

DO NOT USE COMMERCIAL WAXES AND POLISHES.



**PREVENT YELLOWING**

DO NOT PLACE HOT OBJECTS ON SURFACE.



**PREVENT FINISH DAMAGE**

DO NOT USE RUBBER BASED PLACE MATS.



**PREVENT DISCOLORING**

## TO CLEAN

USE A SOFT CLOTH MOISTENED IN LUKEWARM SOAP AND WATER, THEN BUFF WITH A DRY CLEAN CLOTH.



Home Styles will provide replacements free of charge for missing or damaged hardware or parts within 30 days of purchase. Digital images of the defective parts may be required. If this product was not purchased from an authorized retail affiliate, Home Styles is under no obligation to provide replacement parts. Parts are not available for fully assembled items nor are parts available for sale. Replacements for missing or damaged hardware or parts may be requested at:

[www.homestyles-furniture.com/customer\\_service](http://www.homestyles-furniture.com/customer_service)

**Home Styles Consumer Assistance:** [www.homestyles-furniture.com](http://www.homestyles-furniture.com),  
[servicedesk@homestyles-furniture.com](mailto:servicedesk@homestyles-furniture.com), 888-680-7460, 877-831-0319

# 88 5576 28

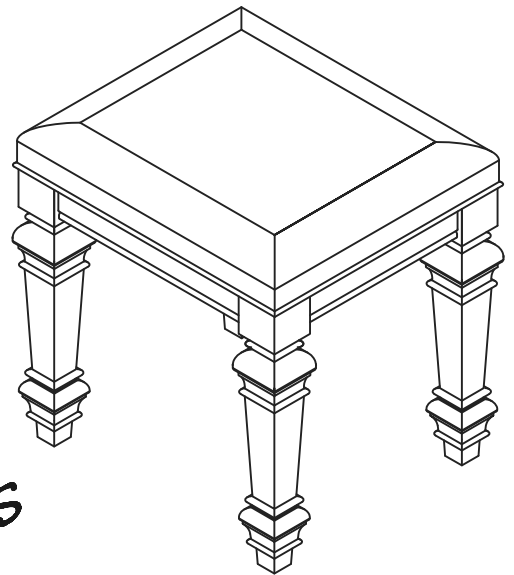
## Bench

### IMPORTANT NOTE

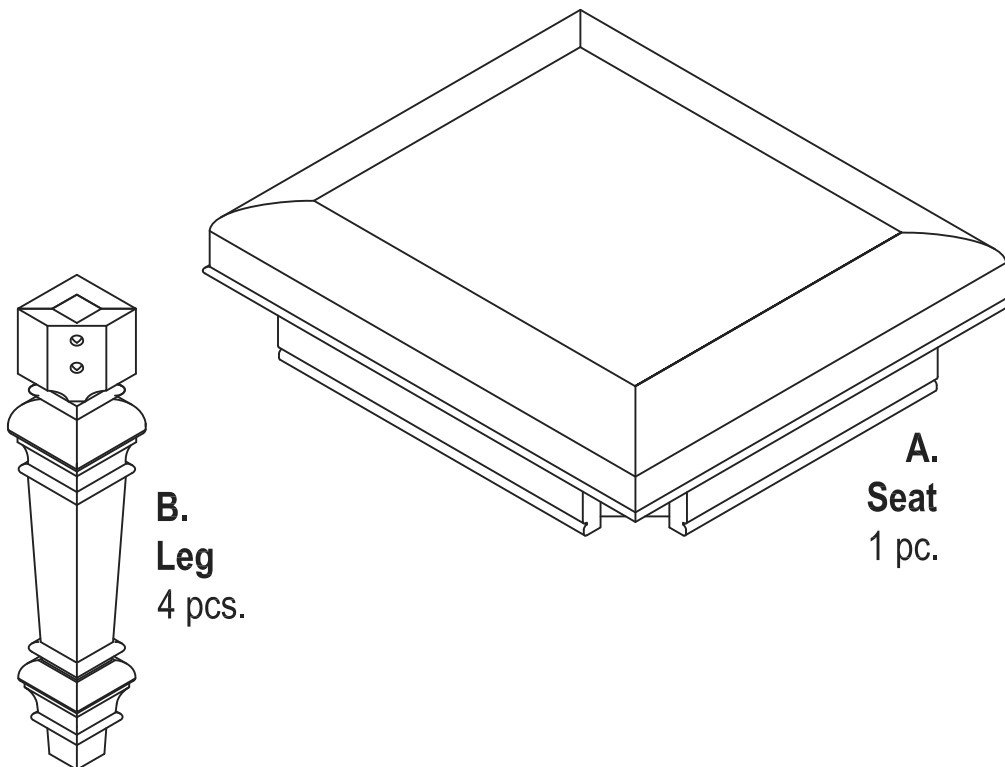
Carefully remove all the parts from the carton and put them individually on a soft cloth to prevent scratches or other damage occurring to the wood parts.

We have taken great care in the design of this product and request that you carefully and strictly follow our assembly instructions to ensure a completed product as it was designed.

*Home Styles*



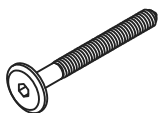
## Part List



**B.**  
**Leg**  
4 pcs.

**A.**  
**Seat**  
1 pc.

## Hardware List



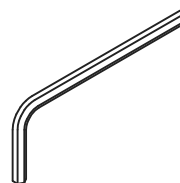
**Bolt**  
8 pcs. (+1 extra)



**Flat Washer**  
8 pcs. (+1 extra)



**Spring Washer**  
8 pcs. (+1 extra)



**Hex Wrench**  
1 pc.



**Hex Wrench (Small)**  
1 pc.

**Home Styles Consumer Assistance:** [www.homestyles-furniture.com](http://www.homestyles-furniture.com),  
[servicedesk@homestyles-furniture.com](mailto:servicedesk@homestyles-furniture.com), 888-680-7460, 877-831-0319

## Assembly Instructions 2/2

### IMPORTANT

- \* Do not tighten up all the bolts until each part is properly assembled.
- \* Use a soft cloth between these parts and the floor.
- \* You should keep Hex Wrench in a safe place as you may need to tighten up the Bolts in the future.

### STEP 1

Attach Legs (B) to Seat (A) using Bolts, Spring Washers and Flat Washers.

Tighten all Bolts using Hex Wrench.  
(See Figure 1)

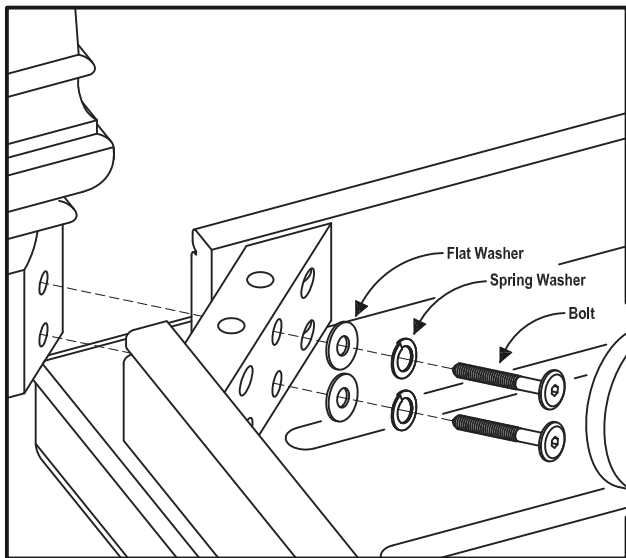
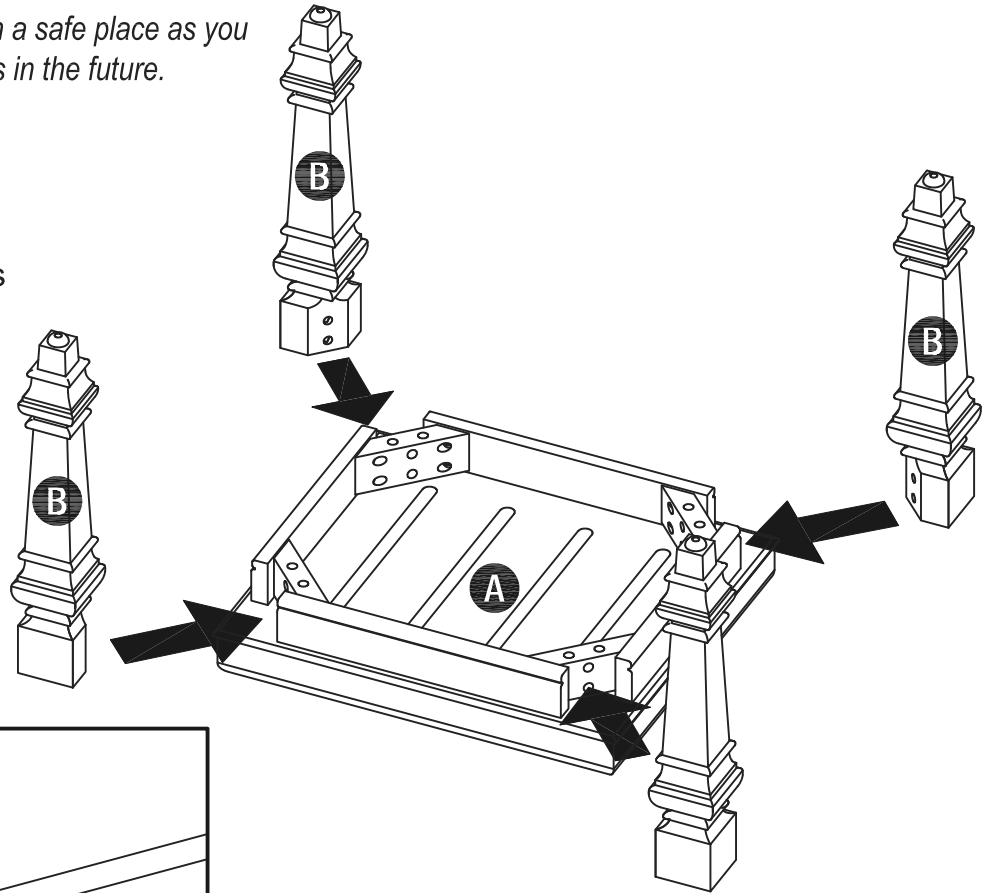
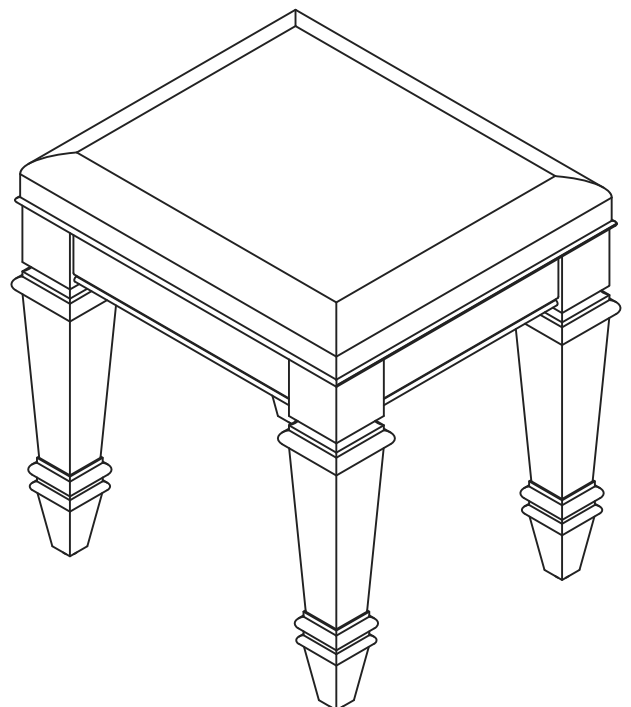


Figure 1



### STEP 2

Turn the unit to its' upright position.

# VERY IMPORTANT !!

## CARE INSTRUCTIONS

### NEVER

USE GLASS CLEANERS ON FINISHED FURNITURE. AMMONIA WILL CHEMICALLY ATTACK THE FINISH.

### NEVER

ALLOW LIQUIDS OF ANY KIND TO REMAIN ON THE FURNITURE. ABSORPTION CAUSES PART TO WARP AND SPLIT AND FINISHES TO DELAMINATE.

DO NOT WRITE DIRECTLY ON SURFACE.



**PREVENT MARKING**

DO NOT PLACE IN DIRECT SUNLIGHT.



**PREVENT FADING**

DO NOT USE COMMERCIAL WAXES AND POLISHES.



**PREVENT YELLOWING**

DO NOT PLACE HOT OBJECTS ON SURFACE.



**PREVENT FINISH DAMAGE**

DO NOT USE RUBBER BASED PLACE MATS.



**PREVENT DISCOLORING**

## TO CLEAN

USE A SOFT CLOTH MOISTENED IN LUKEWARM SOAP AND WATER, THEN BUFF WITH A DRY CLEAN CLOTH.

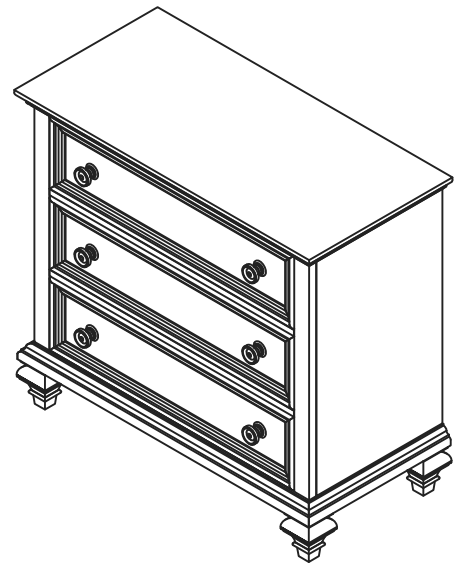


Home Styles will provide replacements free of charge for missing or damaged hardware or parts within 30 days of purchase. Digital images of the defective parts may be required. If this product was not purchased from an authorized retail affiliate, Home Styles is under no obligation to provide replacement parts. Parts are not available for fully assembled items nor are parts available for sale. Replacements for missing or damaged hardware or parts may be requested at:

[www.homestyles-furniture.com/customer\\_service](http://www.homestyles-furniture.com/customer_service)

**Home Styles Consumer Assistance:** [www.homestyles-furniture.com](http://www.homestyles-furniture.com),  
[servicedesk@homestyles-furniture.com](mailto:servicedesk@homestyles-furniture.com), 888-680-7460, 877-831-0319

# 88 5576 41 Chest



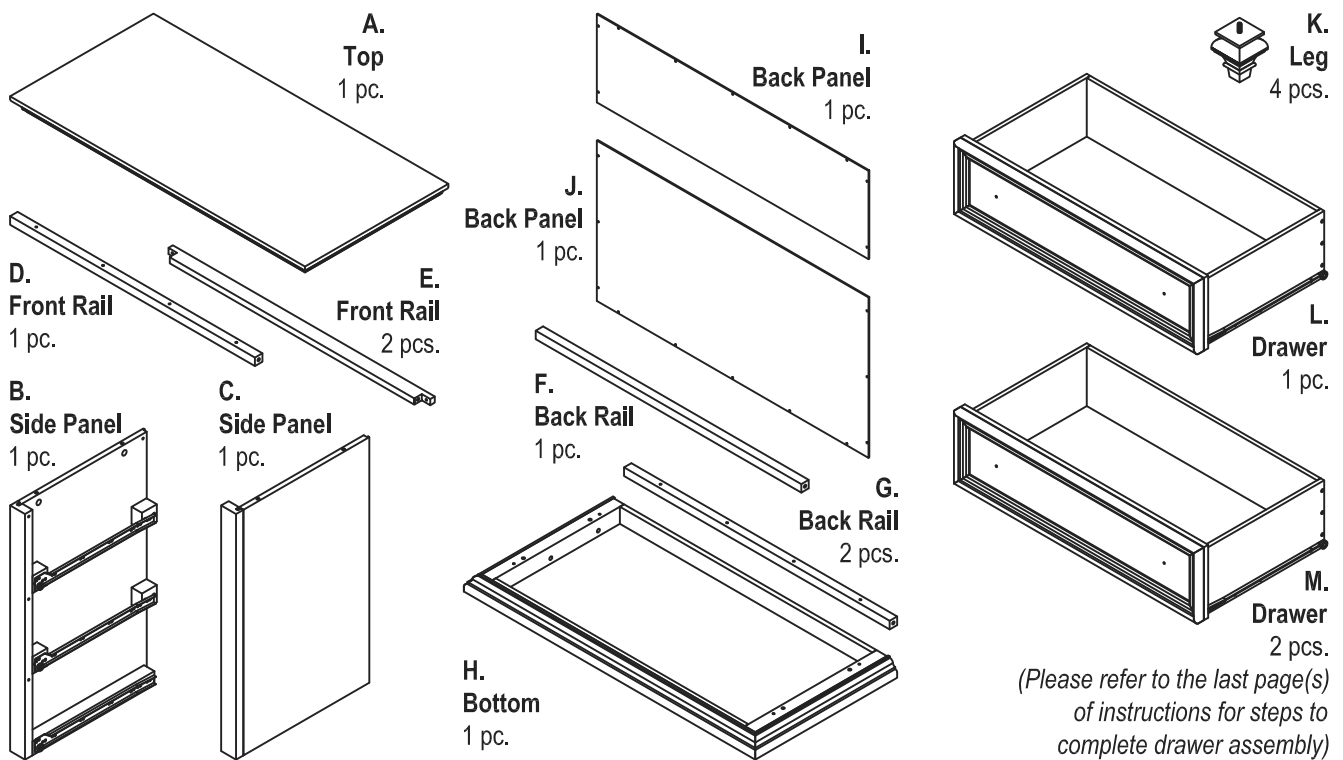
*Home Styles*

## IMPORTANT NOTE

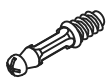
Carefully remove all the parts from the carton and put them individually on a soft cloth to prevent scratches or other damage occurring to the parts.

We have taken great care in the design of this product and request that you carefully and strictly follow our assembly instructions to ensure a completed product as it was designed.

## Part List



## Hardware List



Cam Lock Screw  
16 pcs. (+1 extra)



Cam Lock  
16 pcs. (+1 extra)



2" Round Head Screw  
4 pcs. (+1 extra)



1 1/2" Round Head Screw  
1 pcs. (+1 extra)



1 1/4" Round Head Screw  
8 pcs. (+1 extra)



1" Round Head Screw  
4 pcs. (+1 extra)



1/2" Round Head Screw  
26 pcs. (+1 extra)



1 1/4" Flat Head Screw  
45 pcs. (+1 extra)



3/4" Flat Head Screw  
18 pcs. (+1 extra)



(5/32"x1")  
Machine Screw  
6 pcs.



Handle  
6 pcs.



Wooden Dowel  
4 pcs. (+1 extra)



Flat Washer  
7 pcs. (+1 extra)



Anchor  
1 pc. (+1 extra)



Tipping Restraint  
1 pc.

Tools Required For Assembly : Phillips screwdriver

Tools Recommended For Assembly : Level

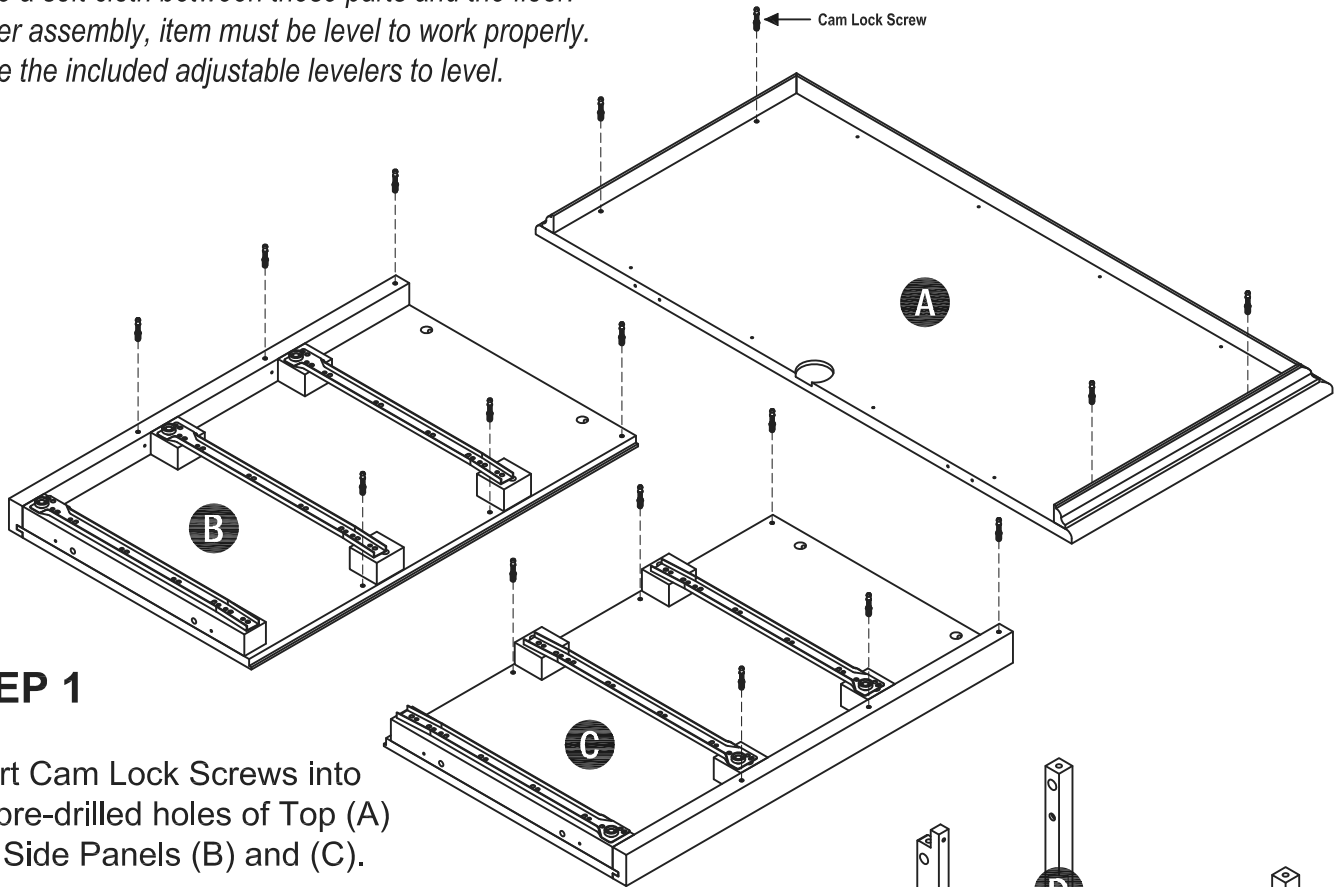
**Home Styles Consumer Assistance:** [www.homestyles-furniture.com](http://www.homestyles-furniture.com),  
[servicedesk@homestyles-furniture.com](mailto:servicedesk@homestyles-furniture.com), 888-680-7460, 877-831-0319



# Assembly Instructions 2/9

## IMPORTANT

- \* Do not tighten up all the screws until each part is properly assembled.
- \* Use a soft cloth between these parts and the floor.
- \* After assembly, item must be level to work properly. Use the included adjustable levelers to level.



## STEP 1

Insert Cam Lock Screws into the pre-drilled holes of Top (A) and Side Panels (B) and (C).

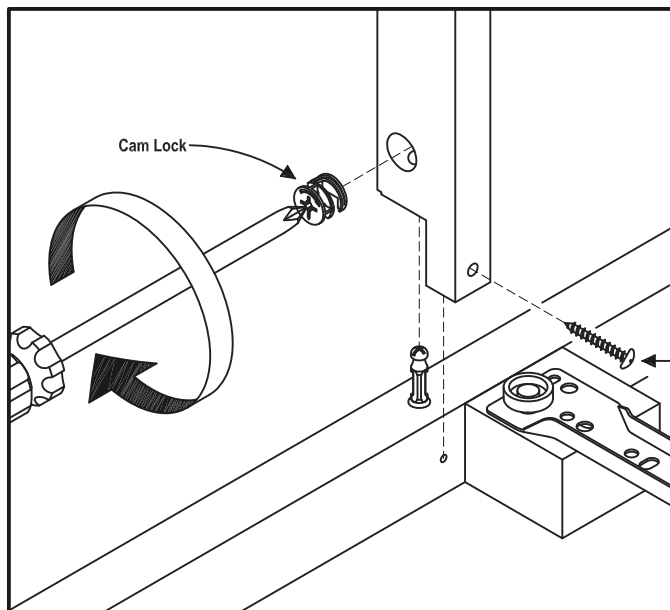
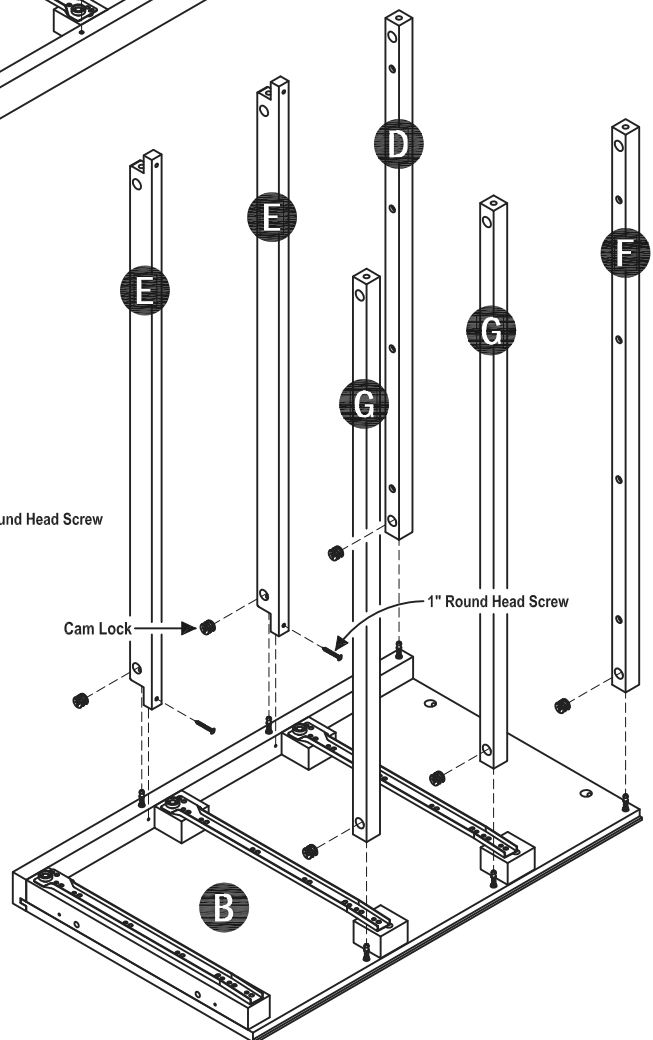


Figure 1

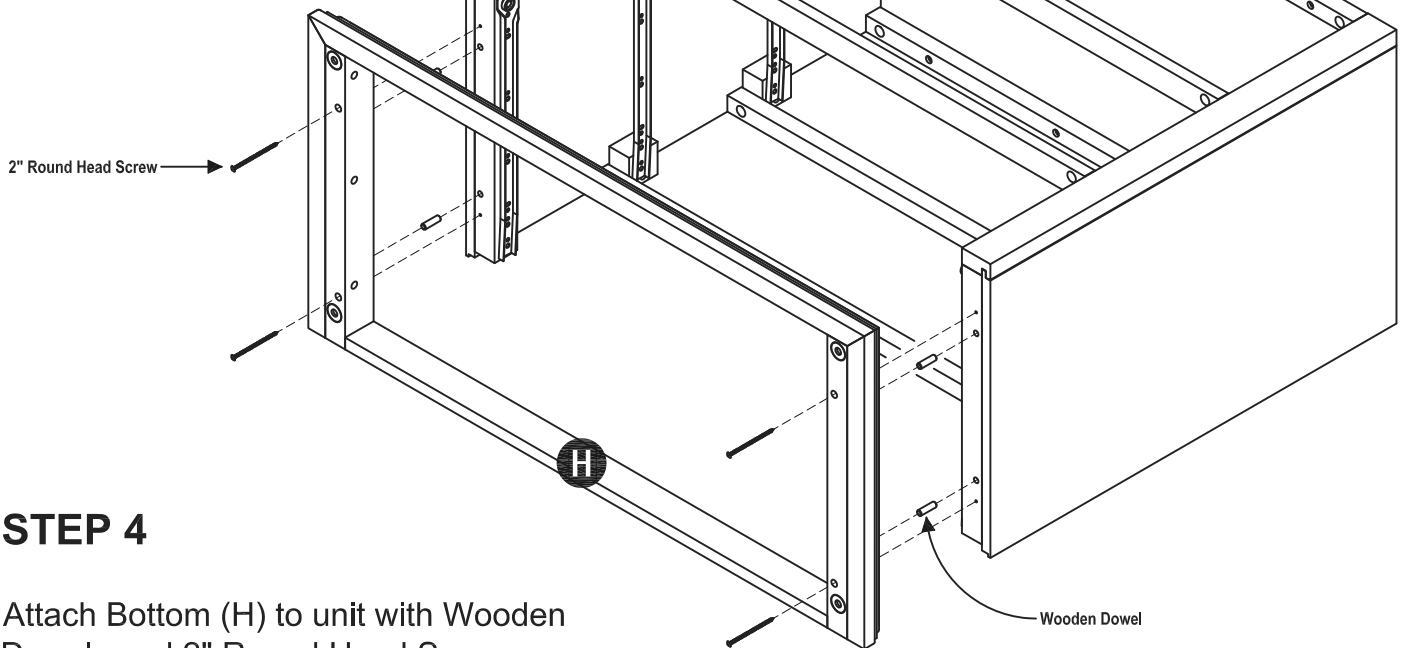
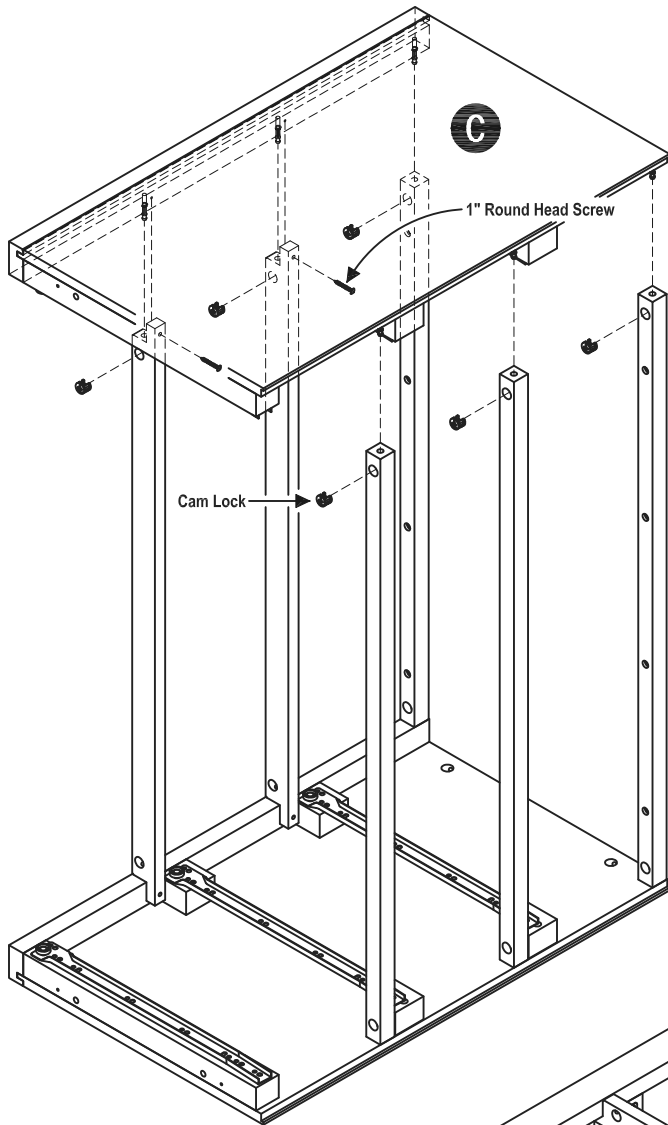
## STEP 2

Attach Front and Back Rails (D), (E), (F) and (G) to Side Panel (B) with Cam Locks and 1" Round Head Screw. (See Figure 1)



**STEP 3**

Attach Side Panel (C) to unit with Cam Locks and 1" Round Head Screw.



**STEP 4**

Attach Bottom (H) to unit with Wooden Dowels and 2" Round Head Screws.

### STEP 5

Attach Legs (K) to unit.  
(See Figure 2)

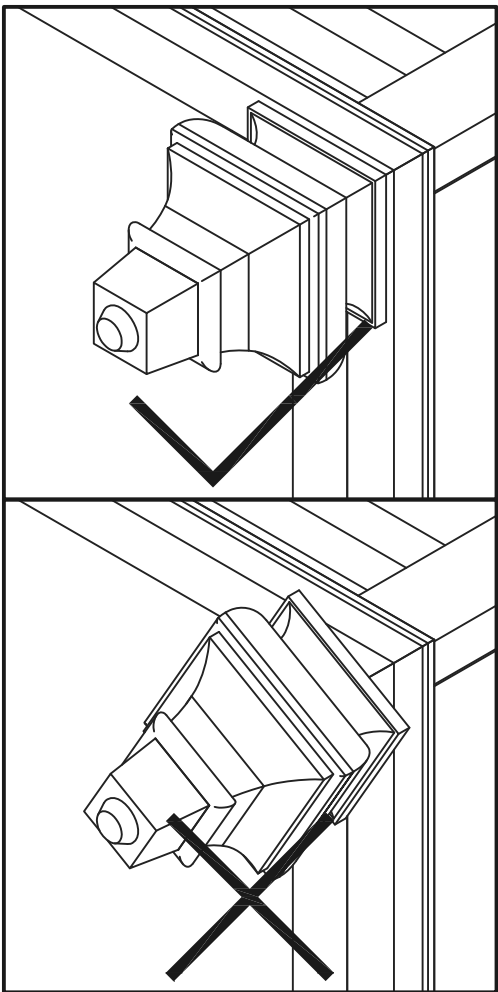
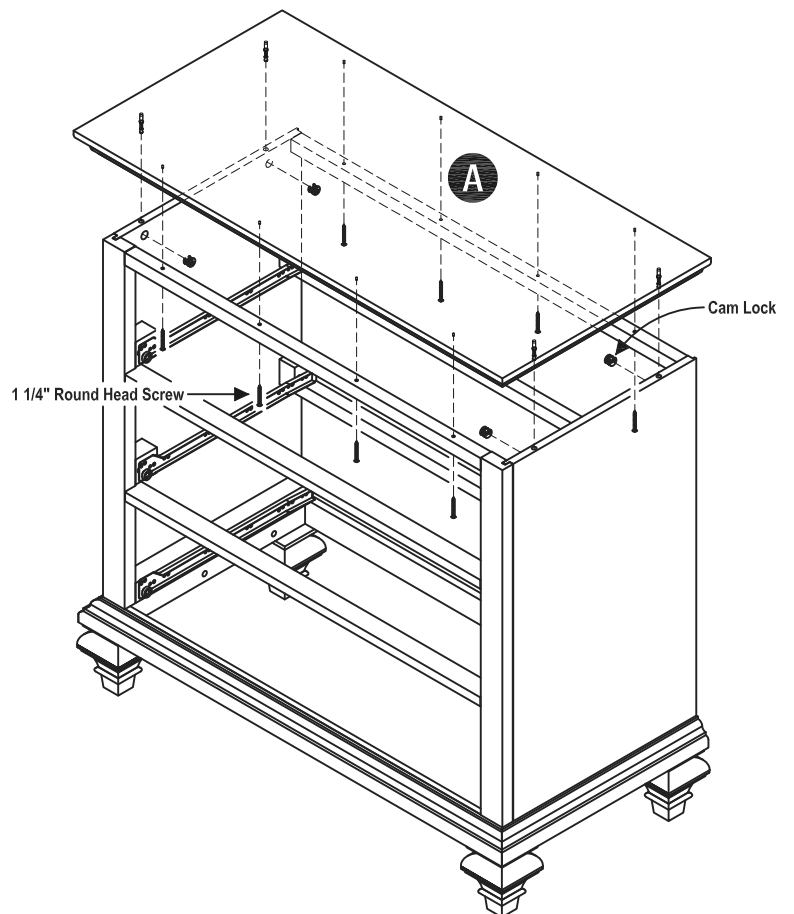
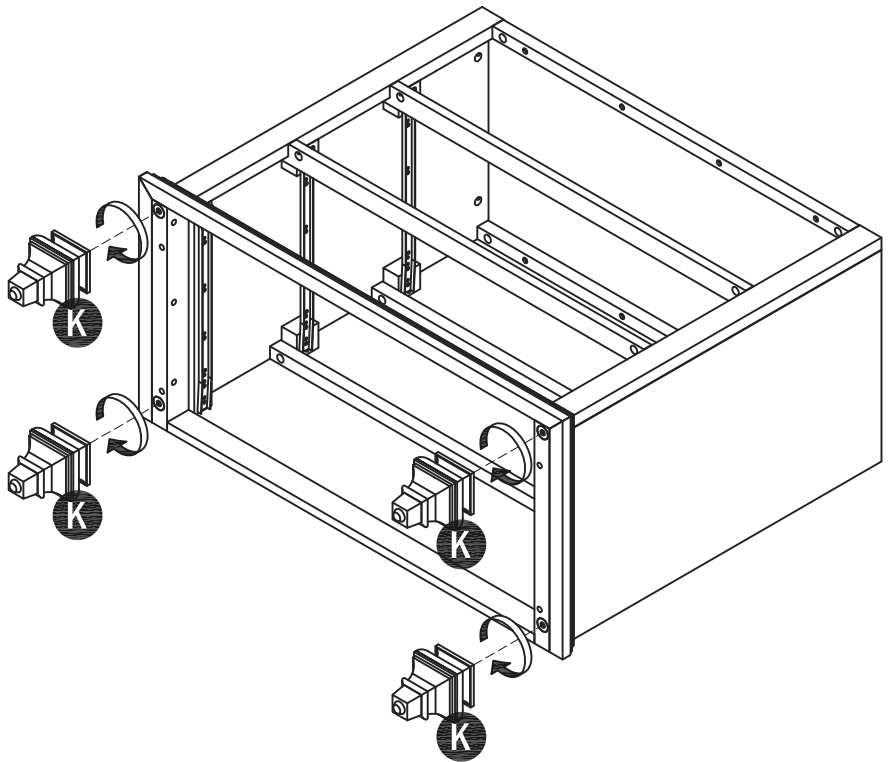


Figure 2



### STEP 6

Attach Top (A) to unit with Cam Locks  
and 1 1/4" Round Head Screws.

**STEP 7**

To level the unit, adjust the adjustable levelers on the bottom of the legs.  
(See Figure 3)

**Note: Unit must be level to work properly.**

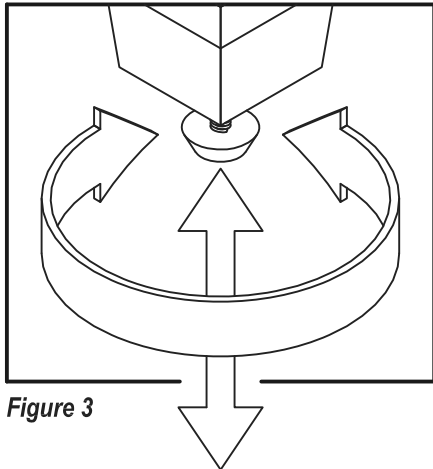
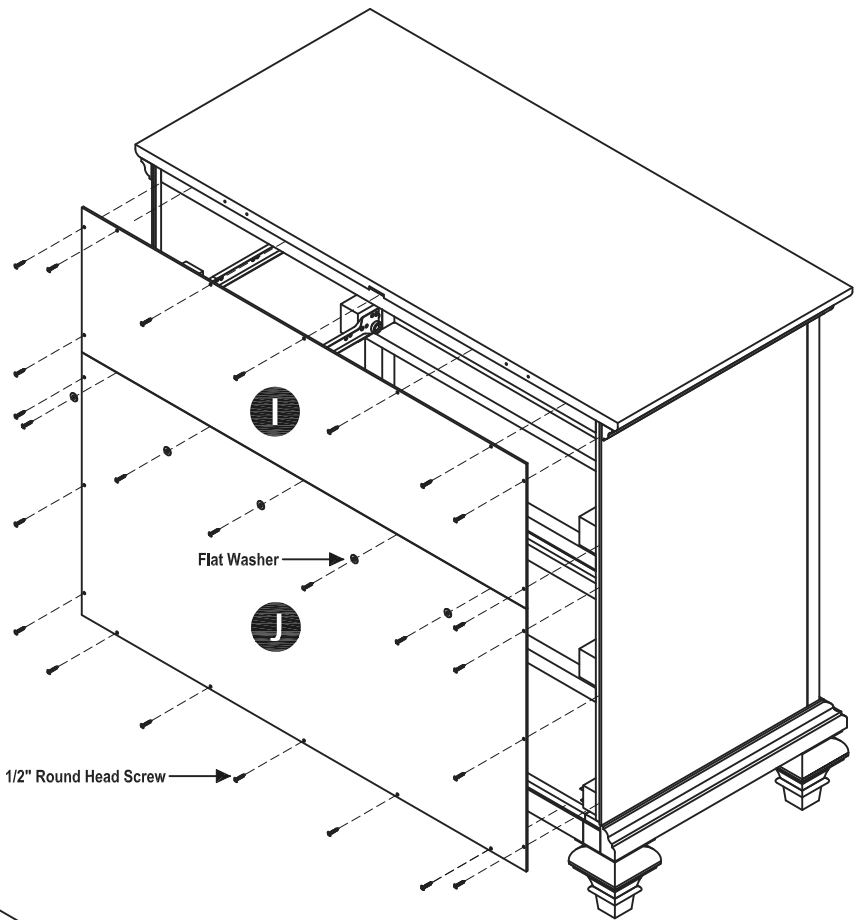


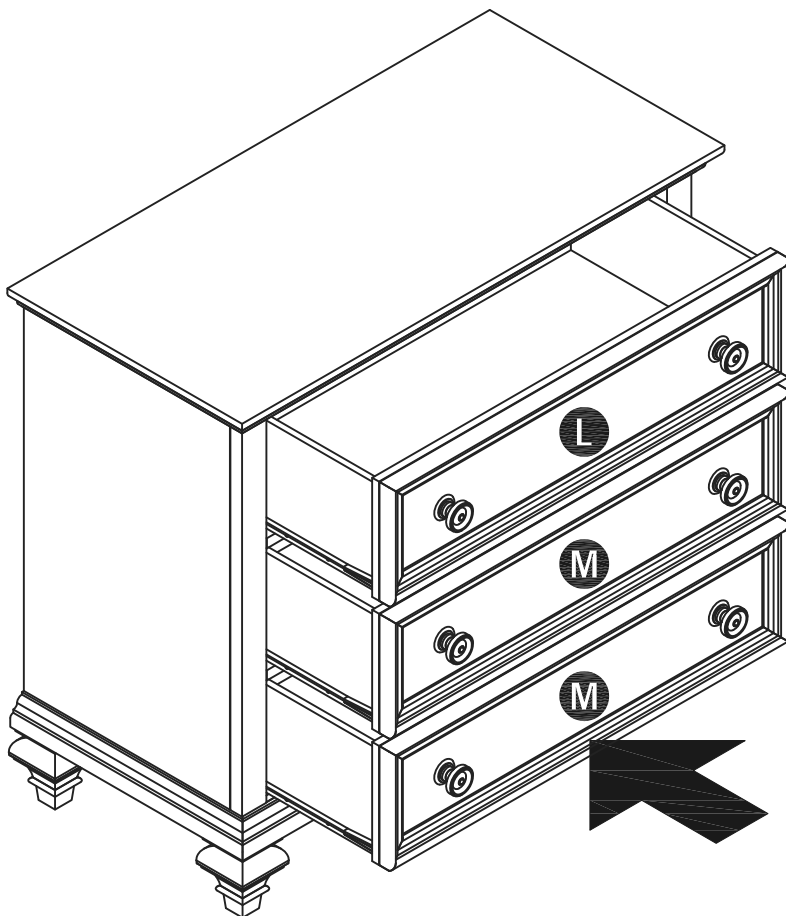
Figure 3



**STEP 8**

Attach Back Panels (I) and (J) to unit with 1/2" Round Head Screws and Flat Washers.

**Note: Please make sure unit is level before tightening these screws.**



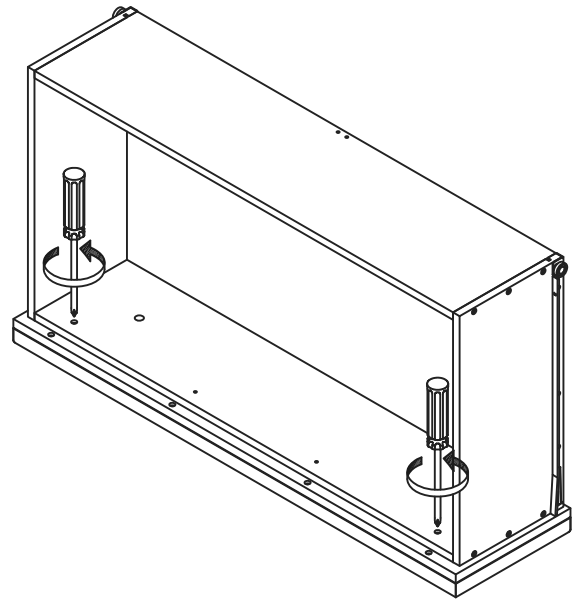
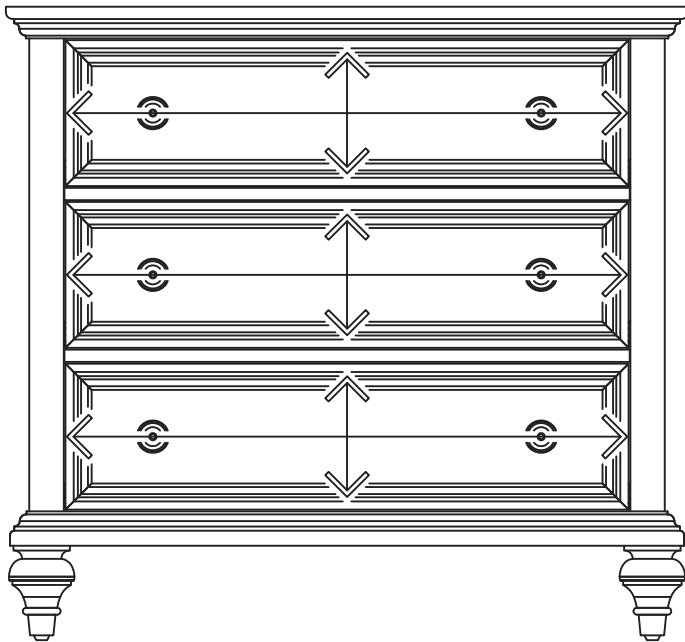
**STEP 9**

Slide Drawers (L) and (M) into place.

Note: Follow the steps on the next page to use 3/4" Flat Head Screws to complete drawer assembly.

## STEP 10

Loosen slightly the two screws pre-installed on the back of the drawer fronts.

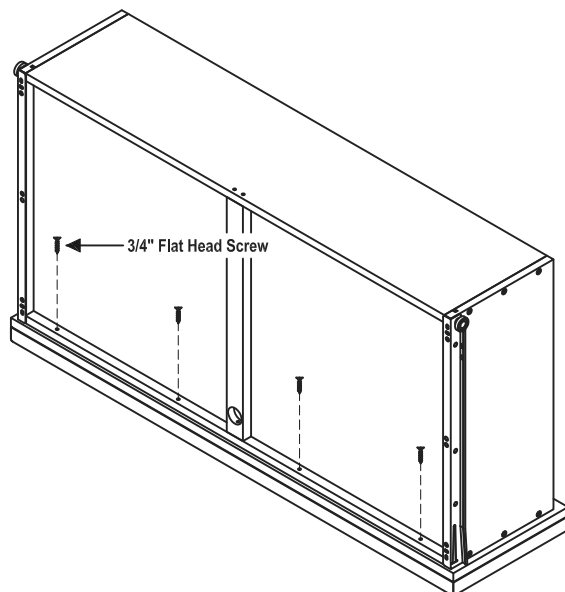
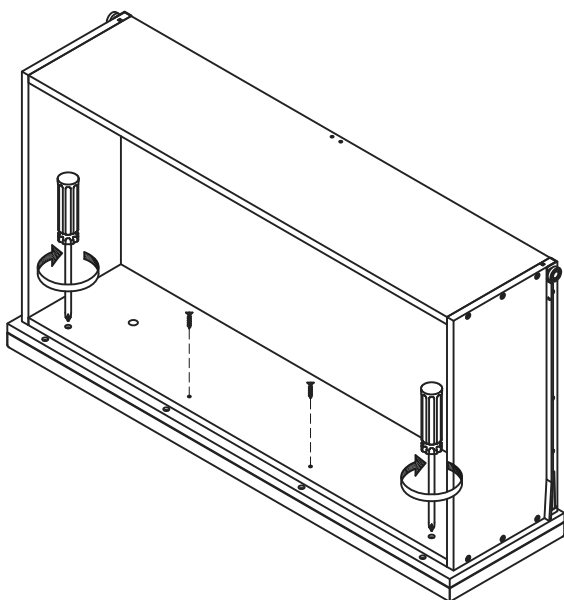


## STEP 11

Insert the drawer into the unit, then adjust the drawer front panel left or right and up or down until the drawer gaps look proportional.

## STEP 12

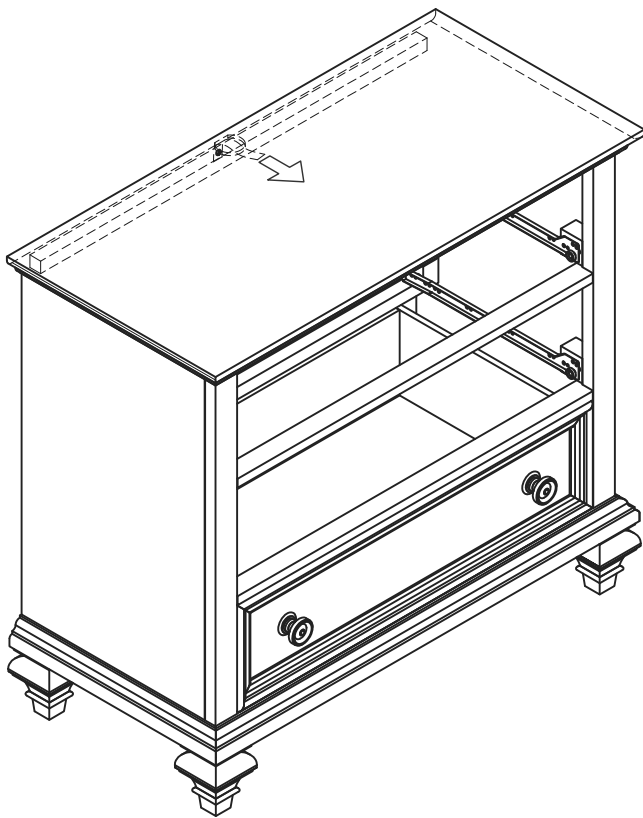
Pull the drawer open slowly and re-tighten the screws from Step 10. Make sure the front panel does not move and lock the drawer front panel into position with 3/4" Flat Head Screws.



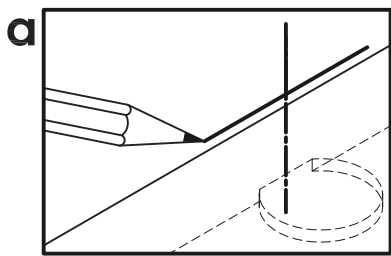
**Note: These 3/4" Flat Head Screws on this page must be installed to complete the drawer assembly.**

# ATTENTION!

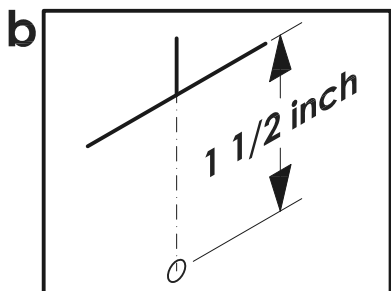
For safety reasons, please follow these instructions to prevent the unit from tipping over.



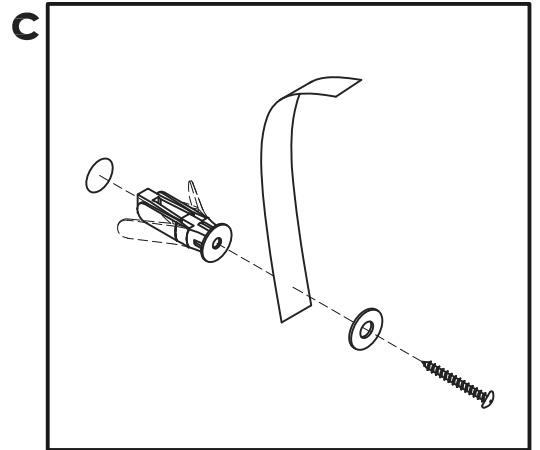
Remove Drawers (L) and (M) from unit.



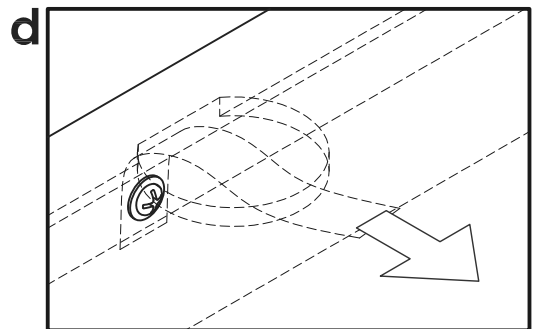
Place the unit on the wall at desired location. Mark with pencil to show the height and position of hole at Top (A).



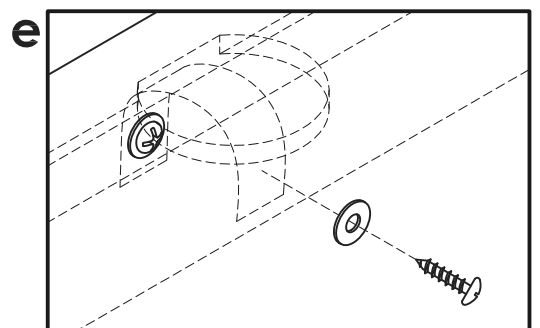
Move unit. Drill a 1/2" hole in the wall, 1 1/2 inches down and directly below the mark.



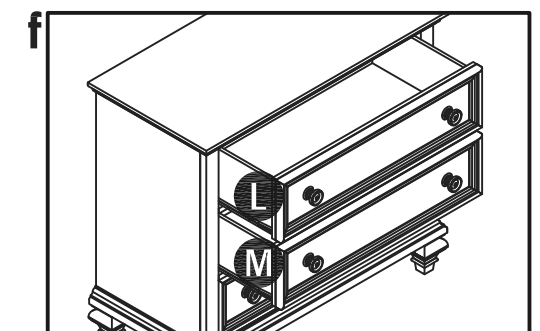
Attach Tipping Restraint to the wall with 1 1/2" Round Head Screw, Flat Washer and Anchor.



Insert Tipping Restraint to unit through the hole of Top (A).

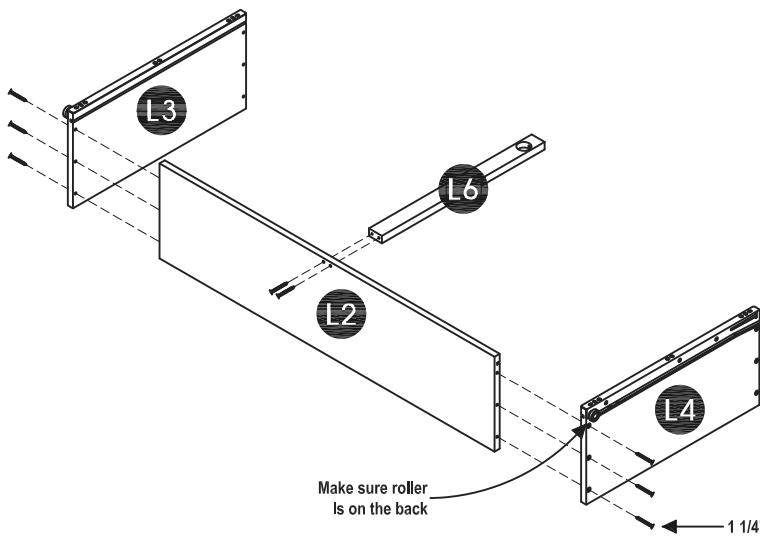


Screw Tipping Restraint to unit with 1/2" Round Head Screw & Flat Washer.



Insert drawers (L) and (M) into unit.

# Drawer (L)



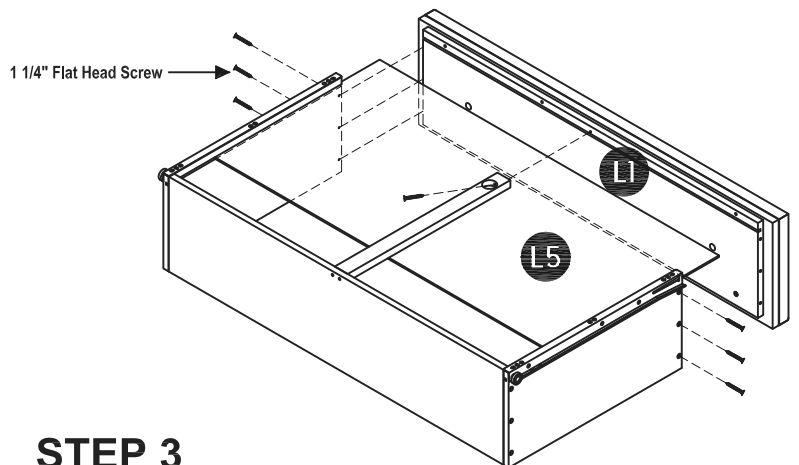
## STEP 1

Attach Side Parts (L3) and (L4) and Base Part (L6) to Back Part (L2) with 1 1/4" Flat Head Screws.

## STEP 2

Insert Base Part (L5) into the groove.

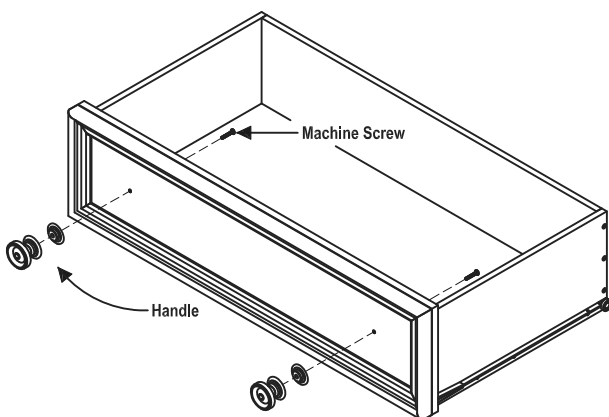
Attach Front Part (L1) to unit with 1 1/4" Flat Head Screws.



## STEP 3

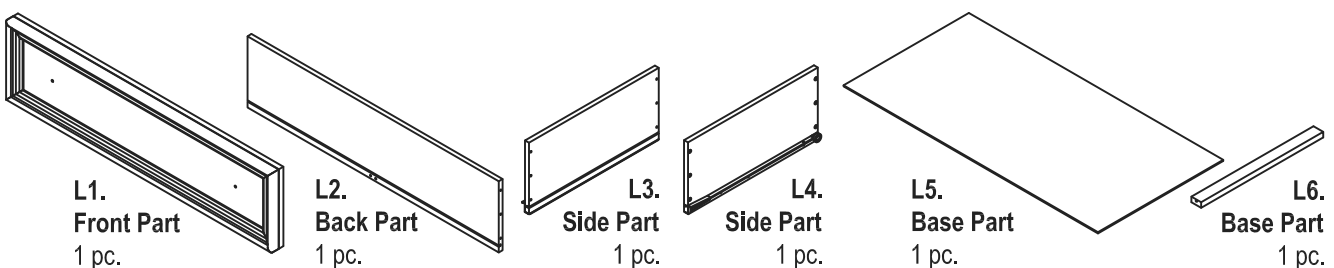
Attach Handles with Machine Screws.

**Note :** Do not over-tighten handle.  
Do not use power tools to assemble handle.

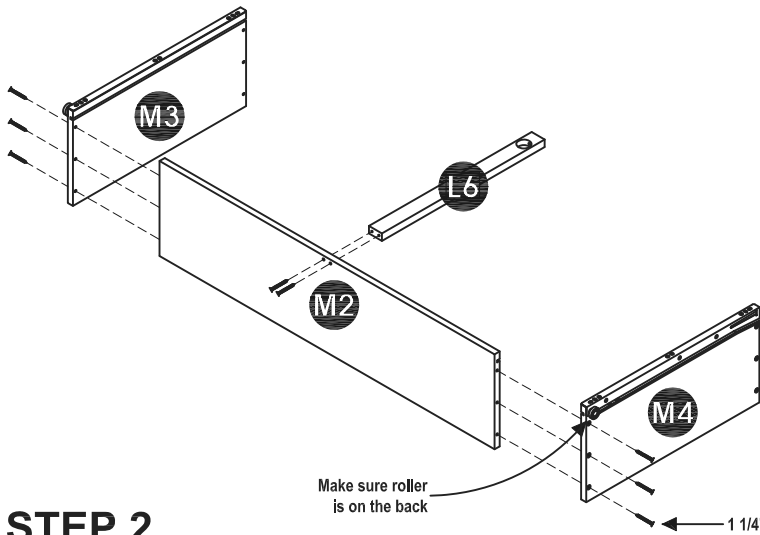


Note: Drawer assembly is not complete until 3/4" Flat Head Screws are used in a later step.

## Part List



# Drawer (M)



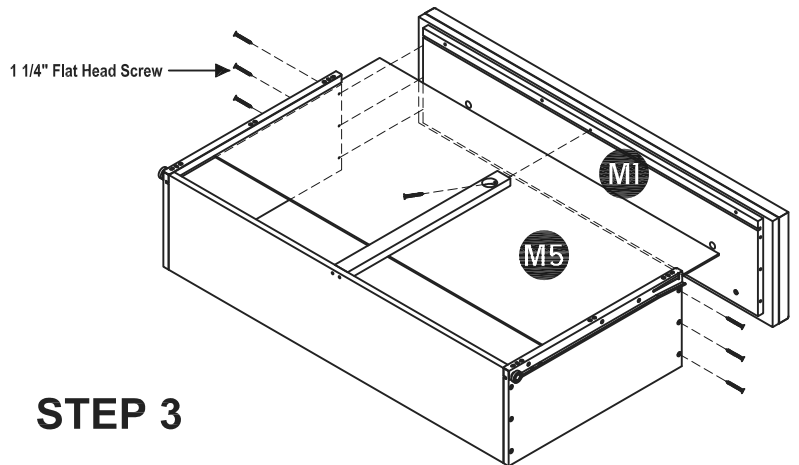
## STEP 1

Attach Side Parts (M3) and (M4) and Base Part (L6) to Back Part (M2) with 1 1/4" Flat Head Screws.

## STEP 2

Insert Base Part (M5) into the groove.

Attach Front Part (M1) to unit with 1 1/4" Flat Head Screws.



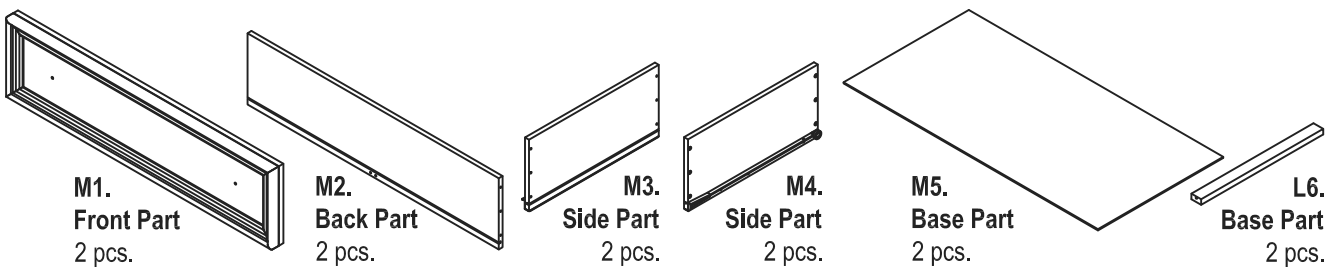
## STEP 3

Attach Handles with Machine Screws.

**Note :** Do not over-tighten handle.  
Do not use power tools to assemble handle.

Note: Drawer assembly is not complete until 3/4" Flat Head Screws are used in a later step.

## Part List





# VERY IMPORTANT !!

## CARE INSTRUCTIONS

### NEVER

USE GLASS CLEANERS ON FINISHED FURNITURE. AMMONIA WILL CHEMICALLY ATTACK THE FINISH.

### NEVER

ALLOW LIQUIDS OF ANY KIND TO REMAIN ON THE FURNITURE. ABSORPTION CAUSES PART TO WARP AND SPLIT AND FINISHES TO DELAMINATE.

DO NOT WRITE DIRECTLY ON SURFACE.



**PREVENT MARKING**

DO NOT PLACE IN DIRECT SUNLIGHT.



**PREVENT FADING**

DO NOT USE COMMERCIAL WAXES AND POLISHES.



**PREVENT YELLOWING**

DO NOT PLACE HOT OBJECTS ON SURFACE.



**PREVENT FINISH DAMAGE**

DO NOT USE RUBBER BASED PLACE MATS.



**PREVENT DISCOLORING**

## TO CLEAN

USE A SOFT CLOTH MOISTENED IN LUKEWARM SOAP AND WATER, THEN BUFF WITH A DRY CLEAN CLOTH.

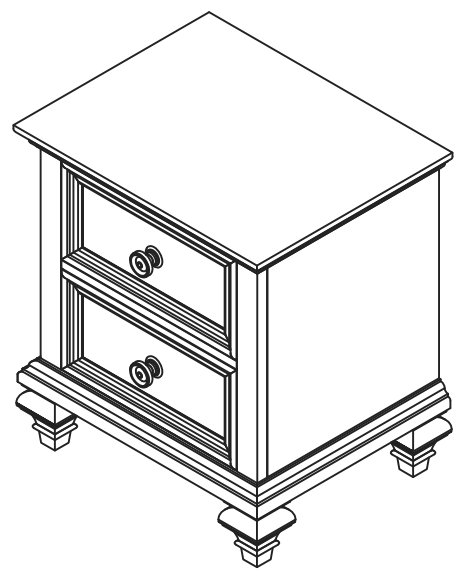


Home Styles will provide replacements free of charge for missing or damaged hardware or parts within 30 days of purchase. Digital images of the defective parts may be required. If this product was not purchased from an authorized retail affiliate, Home Styles is under no obligation to provide replacement parts. Parts are not available for fully assembled items nor are parts available for sale. Replacements for missing or damaged hardware or parts may be requested at:

[www.homestyles-furniture.com/customer\\_service](http://www.homestyles-furniture.com/customer_service)

**Home Styles Consumer Assistance:** [www.homestyles-furniture.com](http://www.homestyles-furniture.com),  
[servicedesk@homestyles-furniture.com](mailto:servicedesk@homestyles-furniture.com), 888-680-7460, 877-831-0319

# 88 5576 42 Night Stand



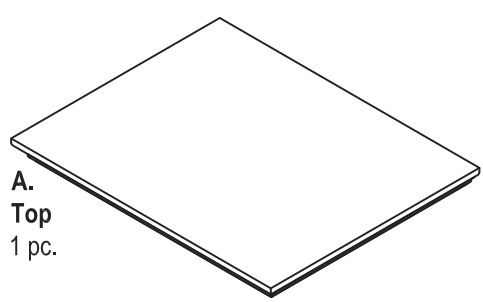
*Home Styles*

## IMPORTANT NOTE

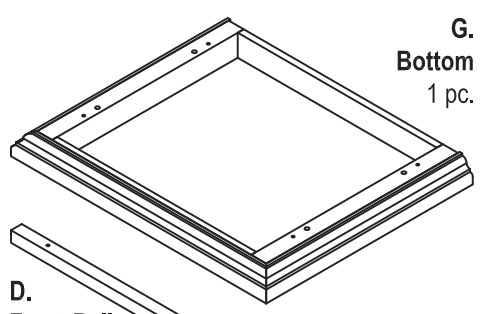
Carefully remove all the parts from the carton and put them individually on a soft cloth to prevent scratches or other damage occurring to the parts.

We have taken great care in the design of this product and request that you carefully and strictly follow our assembly instructions to ensure a completed product as it was designed.

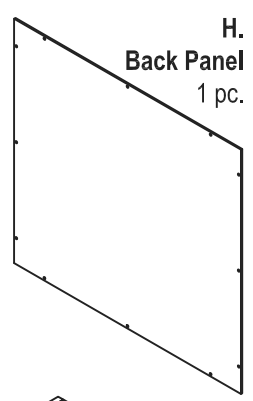
## Part List



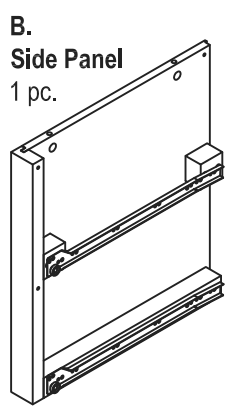
**A.**  
Top  
1 pc.



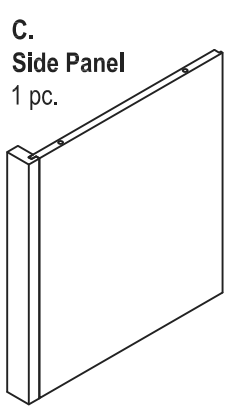
**G.**  
Bottom  
1 pc.



**H.**  
Back Panel  
1 pc.



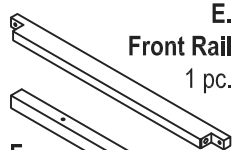
**B.**  
Side Panel  
1 pc.



**C.**  
Side Panel  
1 pc.



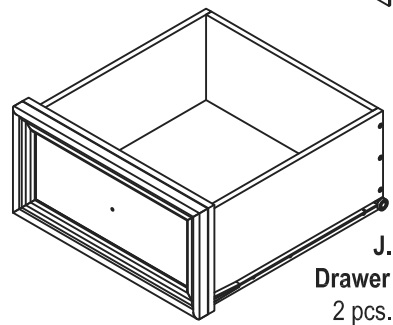
**D.**  
Front Rail  
1 pc.



**E.**  
Front Rail  
1 pc.



**F.**  
Back Rail  
1 pc.



**J.**  
Drawer  
2 pcs.



**I.**  
Leg  
4 pcs.

*(Please refer to the last page(s) of instructions for steps to complete drawer assembly)*

## Hardware List



Cam Lock Screw  
10 pcs. (+1 extra)



Cam Lock  
10 pcs. (+1 extra)



2" Round Head Screw  
4 pcs. (+1 extra)



1 1/4" Round Head Screw  
4 pcs. (+1 extra)



1" Round Head Screw  
2 pcs. (+1 extra)



1/2" Round Head Screw  
12 pcs. (+1 extra)



1 1/4" Flat Head Screw  
24 pcs. (+1 extra)



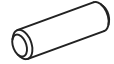
3/4" Flat Head Screw  
4 pcs. (+1 extra)



(5/32"x1")  
Machine Screw  
1 pc.



Handle  
1 pc.



Wooden Dowel  
4 pcs. (+1 extra)

Tools Required For Assembly : Phillips screwdriver

Tools Recommended For Assembly : Level

**Home Styles Consumer Assistance:** [www.homestyles-furniture.com](http://www.homestyles-furniture.com),  
[servicedesk@homestyles-furniture.com](mailto:servicedesk@homestyles-furniture.com), 888-680-7460, 877-831-0319

**IMPORTANT**

- \* Do not tighten up all the screws until each part is properly assembled.
- \* Use a soft cloth between these parts and the floor.
- \* After assembly, item must be level to work properly. Use the included adjustable levelers to level.

## STEP 1

Insert Cam Lock Screws into the pre-drilled holes of Top (A) and Side Panels (B) and (C).

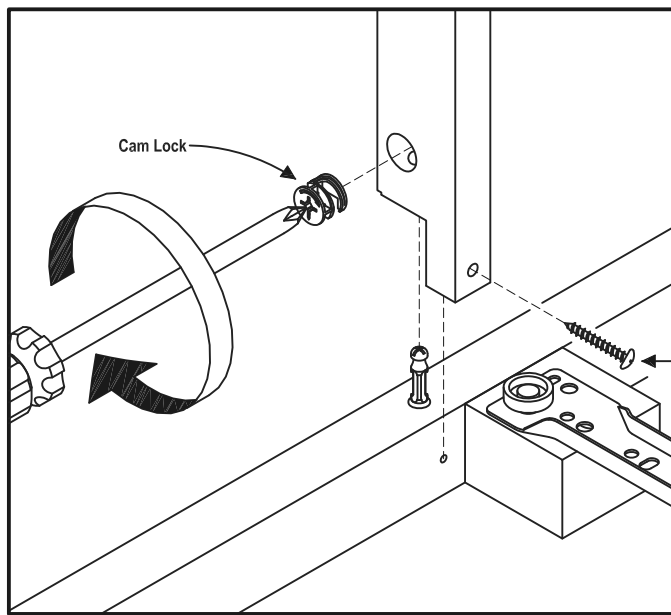
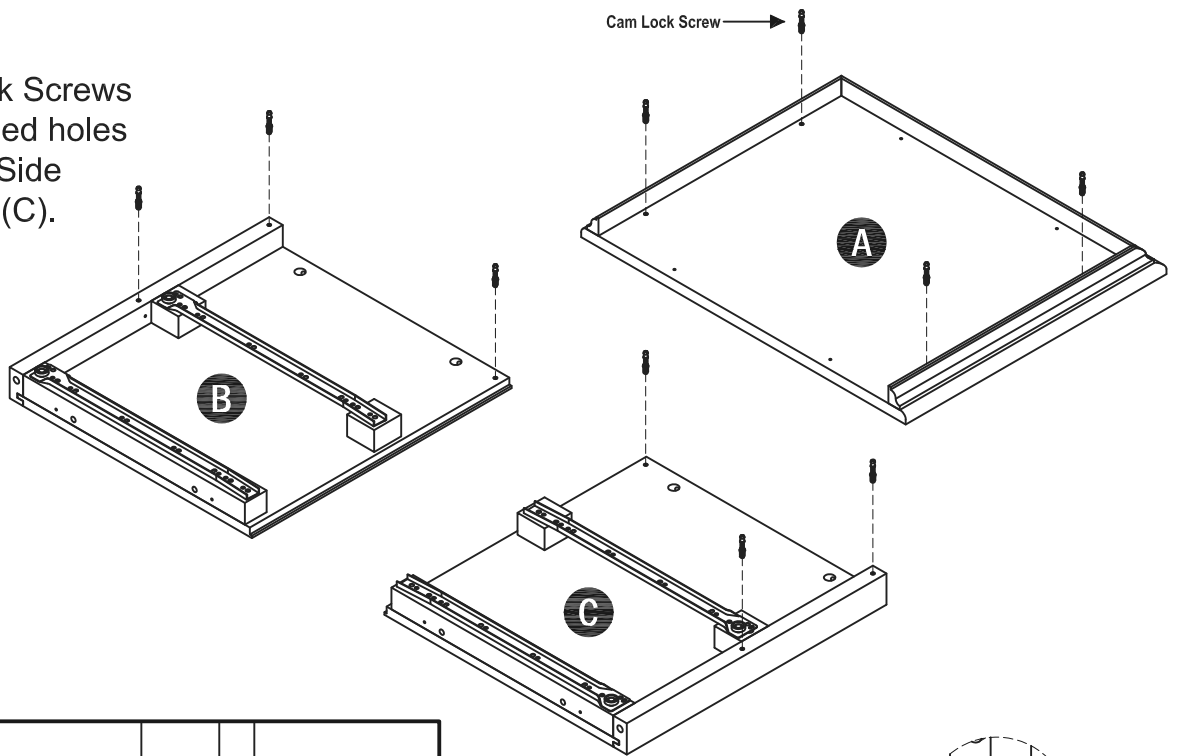
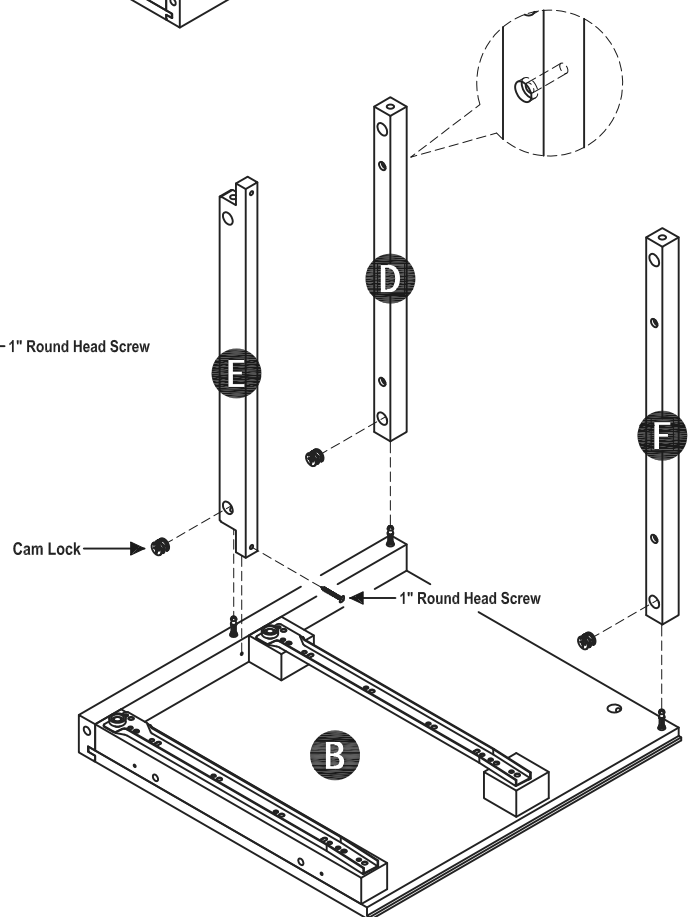


Figure 1

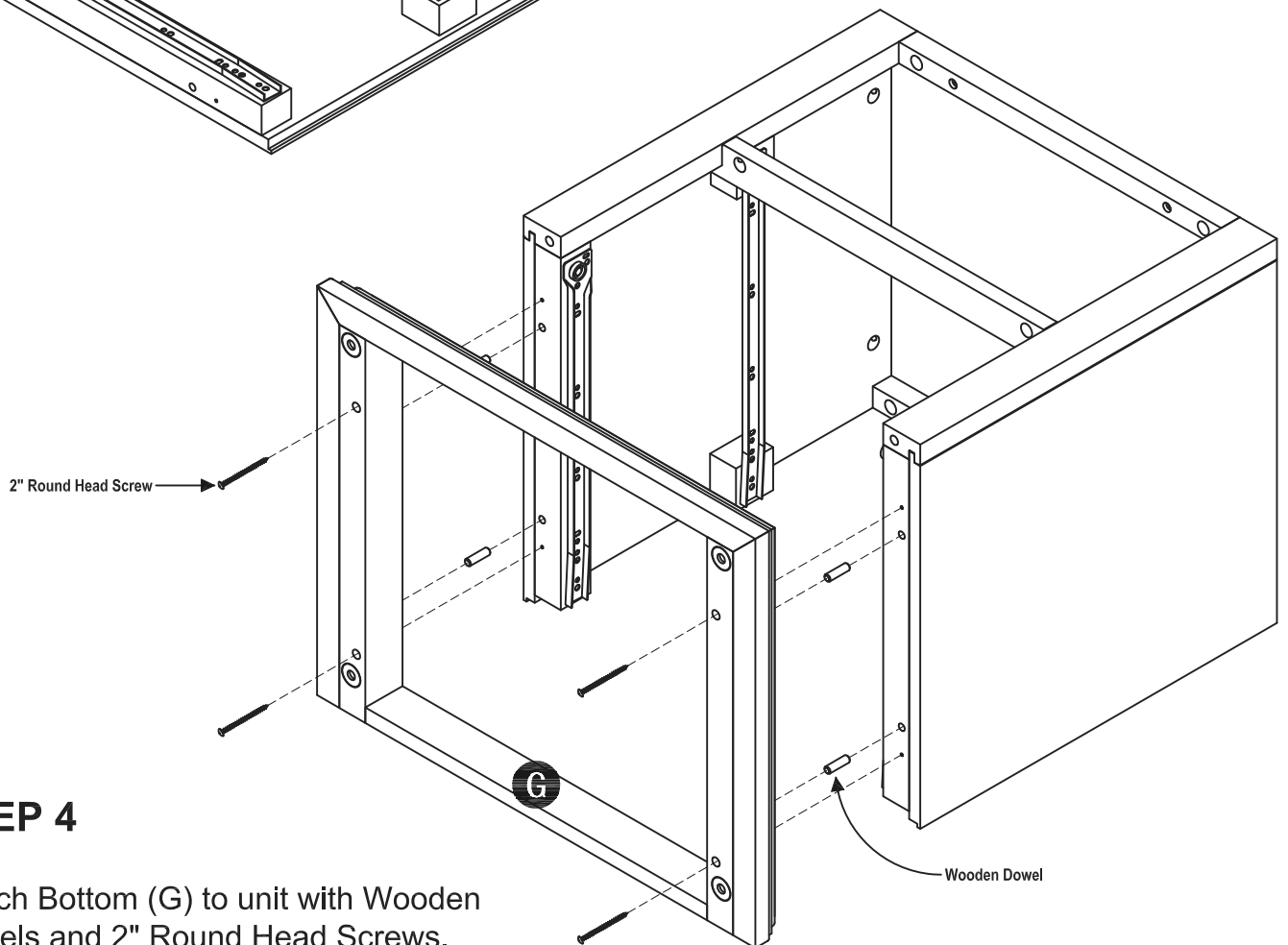
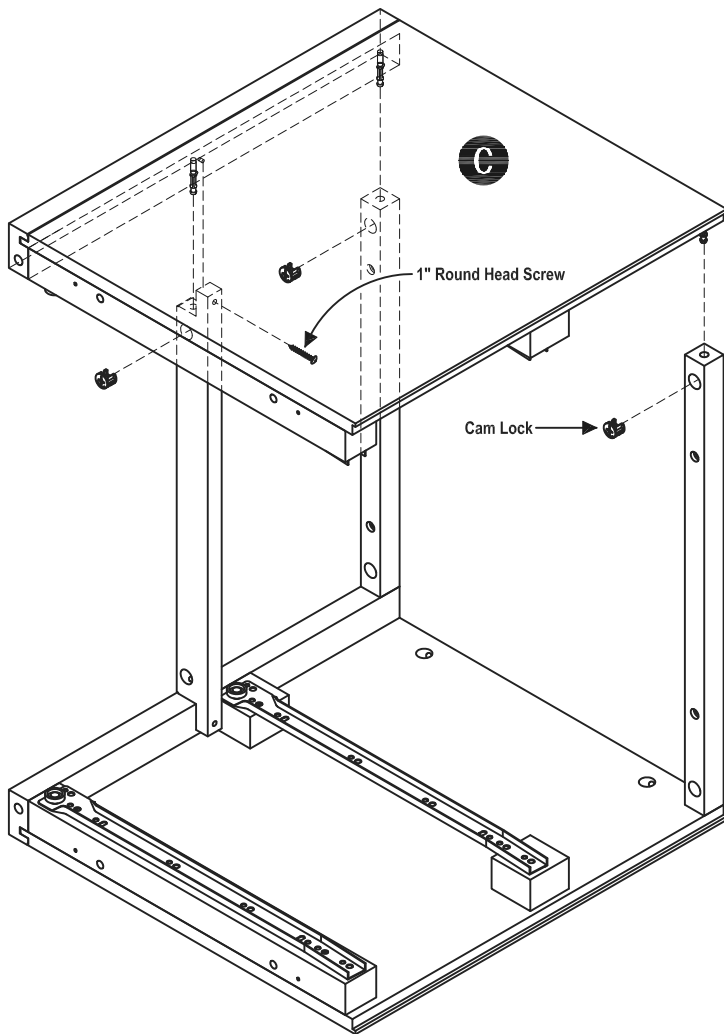


## STEP 2

Attach Front and Back Rails (D), (E) and (F) to Side Panel (B) with Cam Locks and 1" Round Head Screw. (See Figure 1)

**STEP 3**

Attach Side Panel (C) to unit with Cam Locks and 1" Round Head Screw.



**STEP 4**

Attach Bottom (G) to unit with Wooden Dowels and 2" Round Head Screws.

### STEP 5

Attach Legs (l) to unit.  
(See Figure 2)

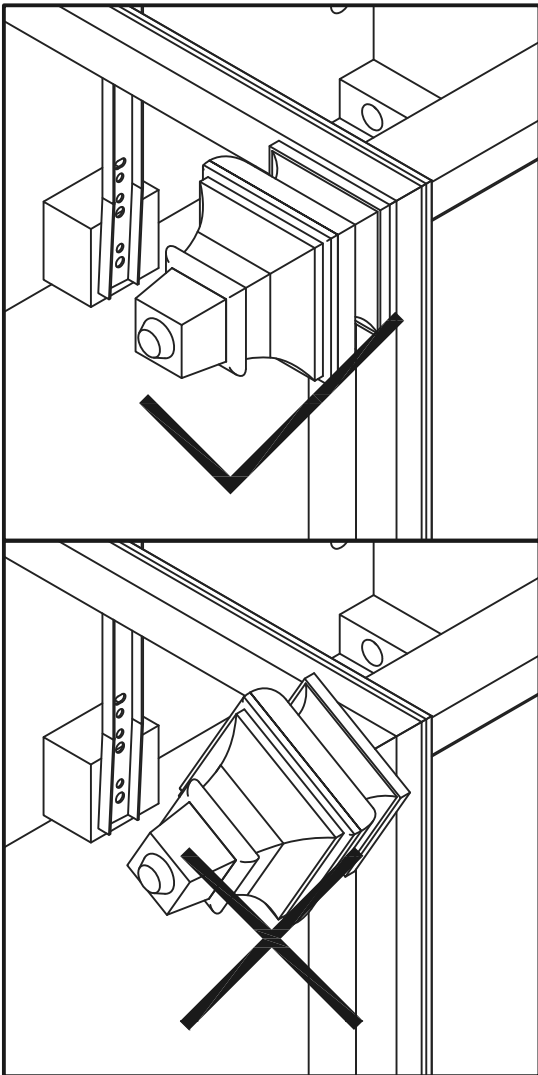
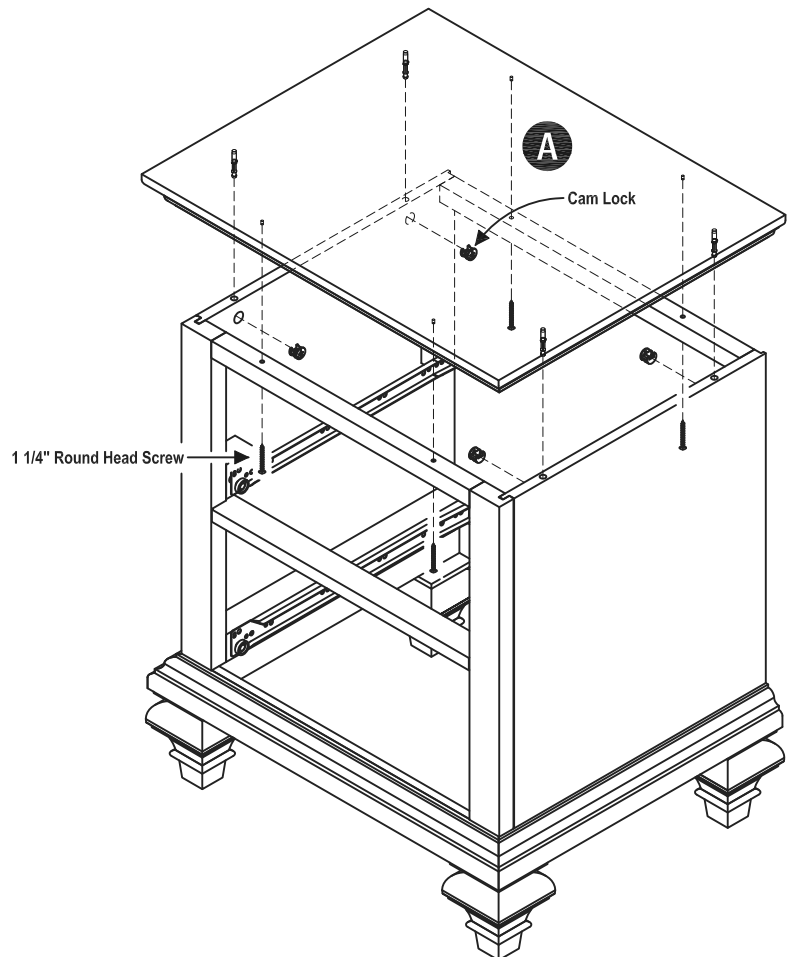
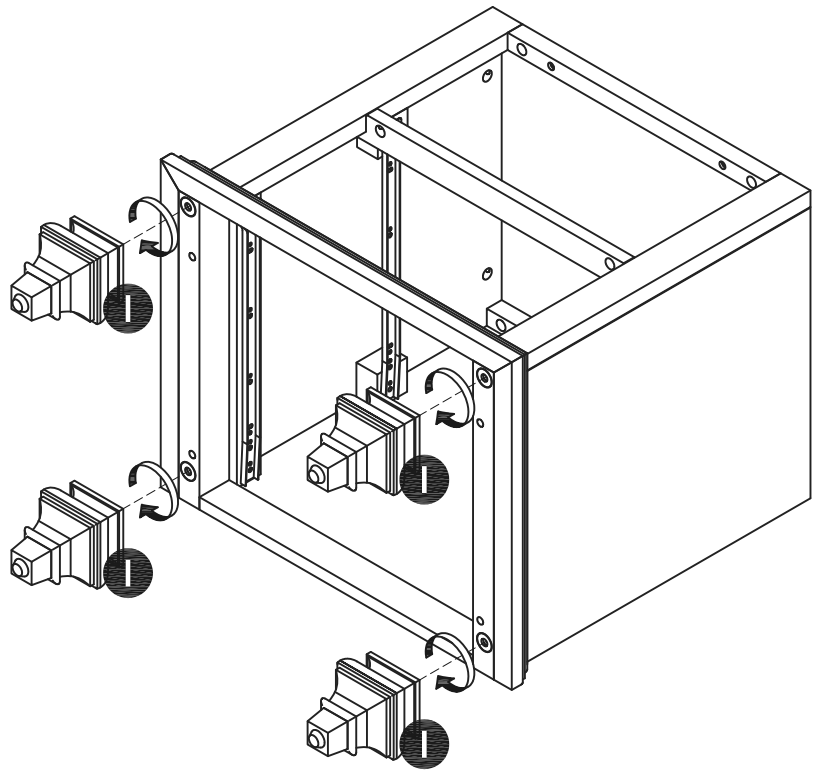


Figure 2



### STEP 6

Attach Top (A) to unit with Cam Locks  
and 1 1/4\" Round Head Screws.

### STEP 7

To level the unit, adjust the adjustable levelers on the bottom of the legs.  
(See Figure 3)

**Note: Unit must be level to work properly.**

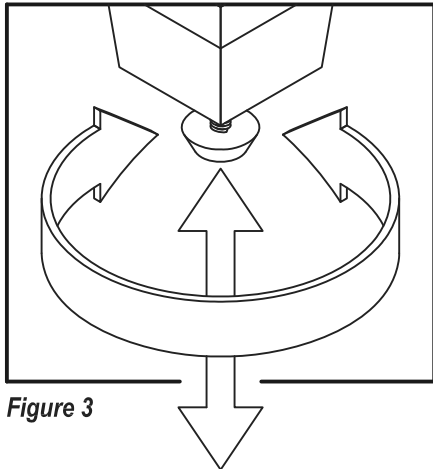
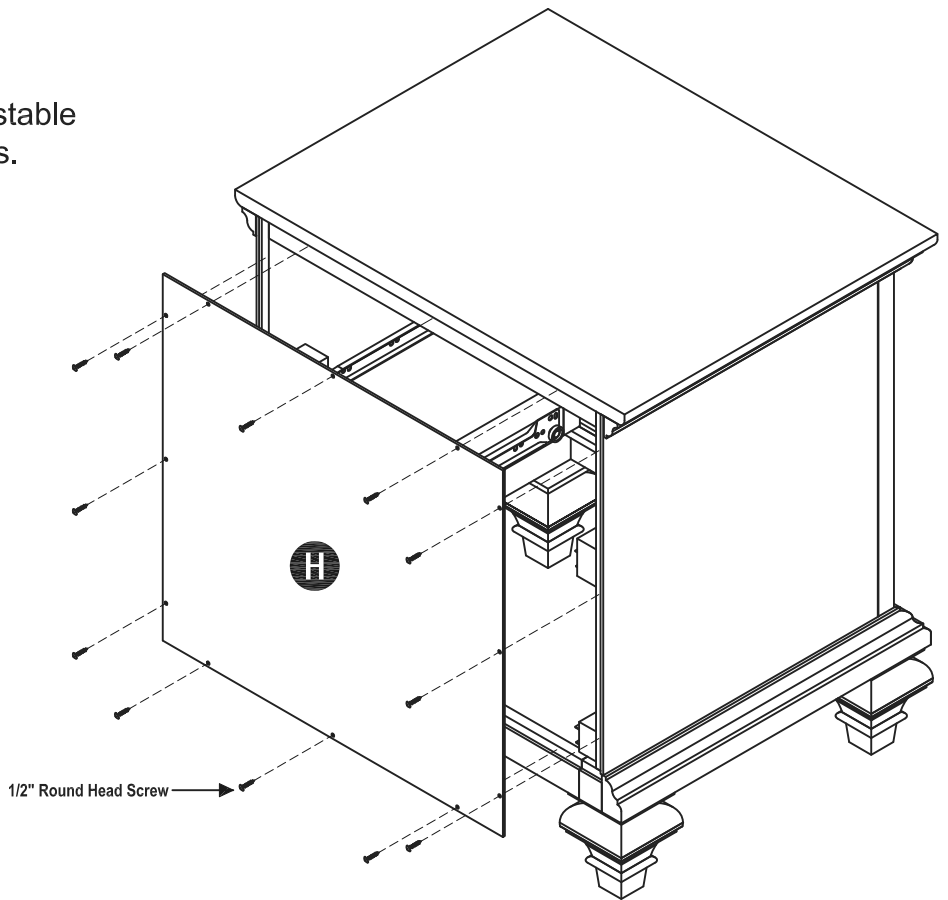


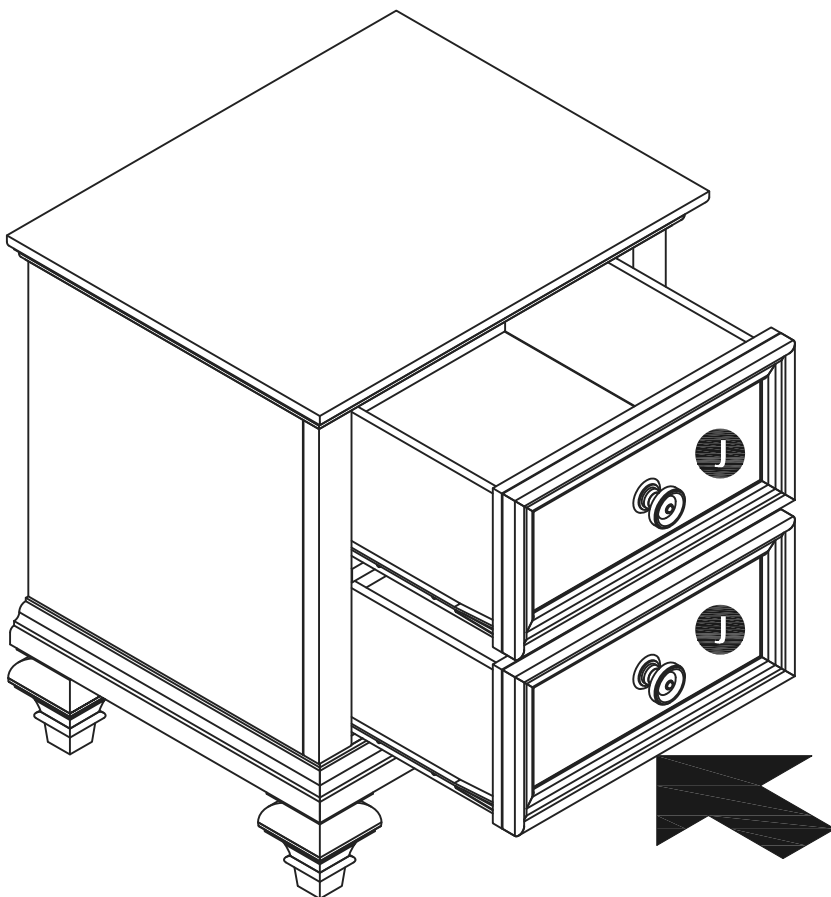
Figure 3



### STEP 8

Attach Back Panels (H) to unit with 1/2" Round Head Screws.

**Note: Please make sure unit is level before tightening these screws.**



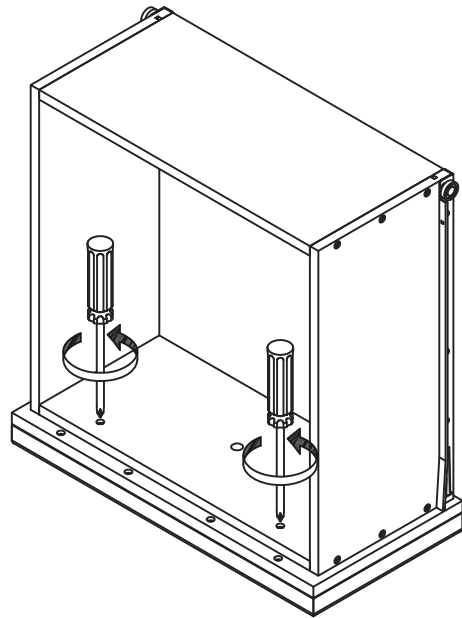
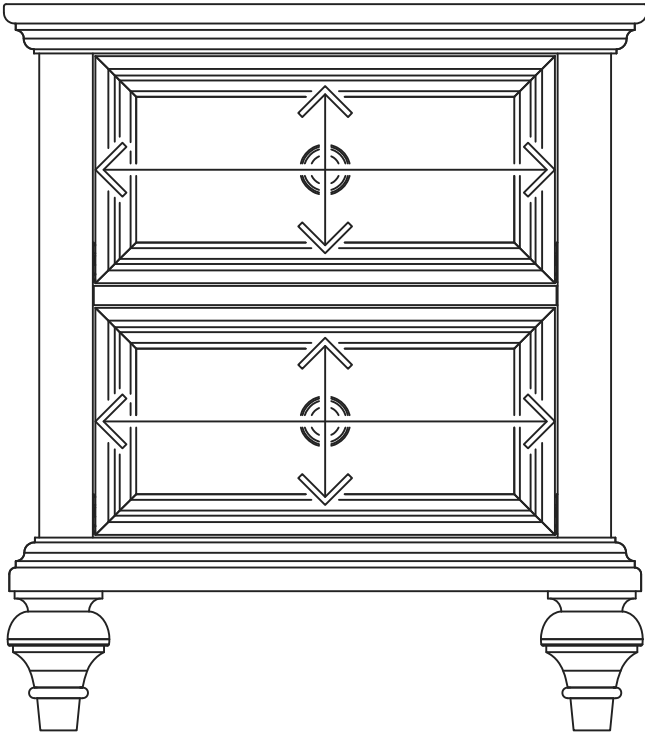
### STEP 9

Slide Drawers (J) into place.

Note: Follow the steps on the next page to use 3/4" Flat Head Screws to complete drawer assembly.

## STEP 10

Loosen slightly the two screws pre-installed on the back of the drawer fronts.

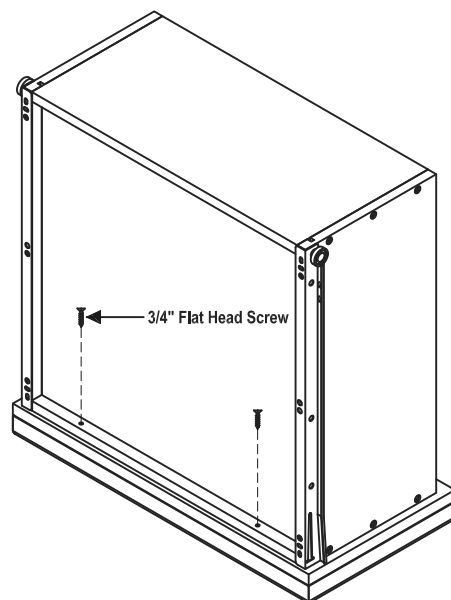
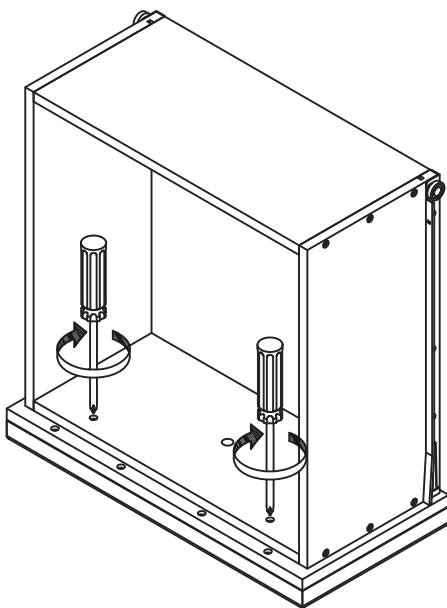


## STEP 11

Insert the drawer into the unit, then adjust the drawer front panel left or right and up or down until the drawer gaps look proportional.

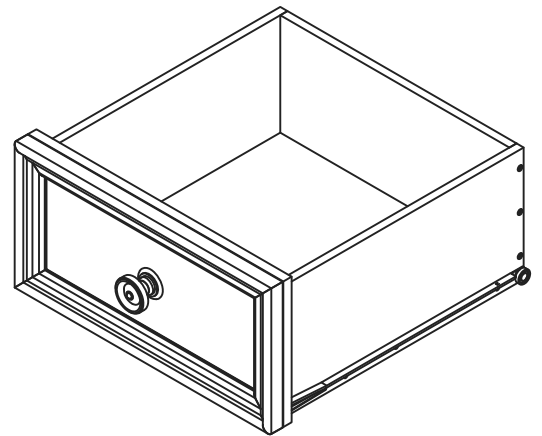
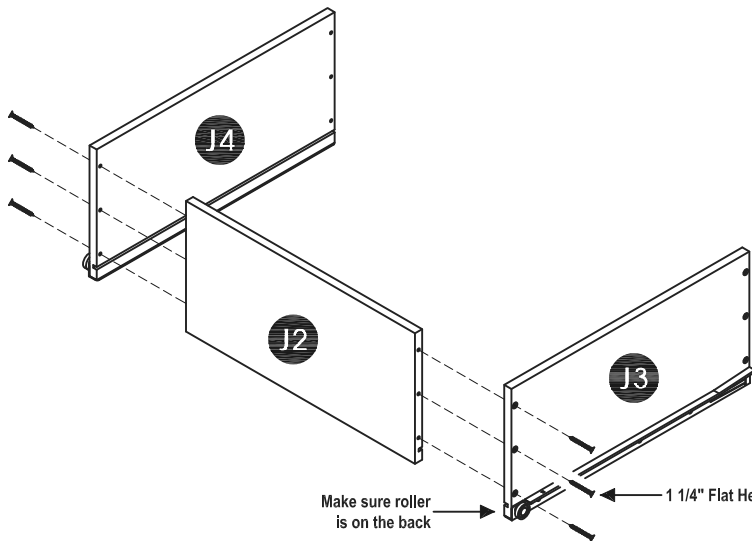
## STEP 12

Pull the drawer open slowly and re-tighten the screws from Step 10. Make sure the front panel does not move and lock the drawer front panel into position with 3/4" Flat Head Screws.



**Note: These 3/4" Flat Head Screws on this page must be installed to complete the drawer assembly.**

# Drawer (J)



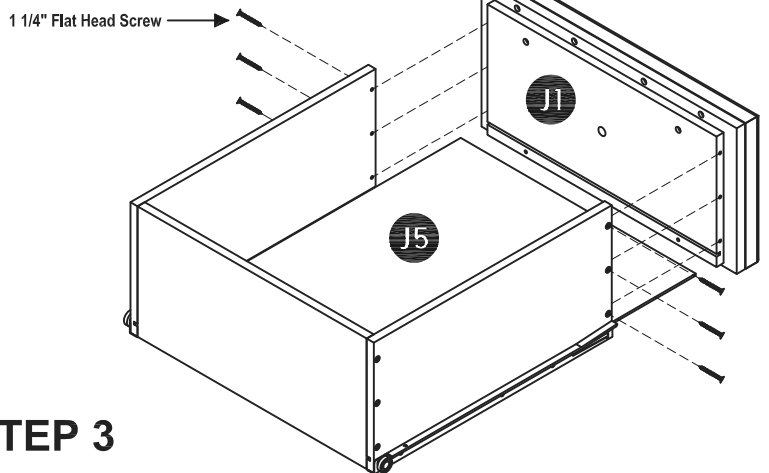
## STEP 1

Attach Side Parts (J3) and (J4) to Back Part (J2) with 1 1/4" Flat Head Screws.

## STEP 2

Insert Base Part (J5) into the groove.

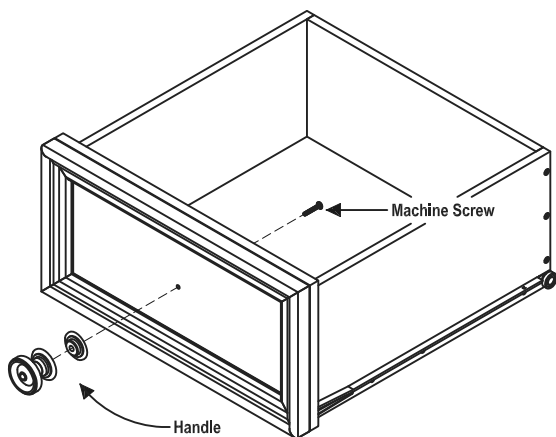
Attach Front Part (J1) to unit with 1 1/4" Flat Head Screws.



## STEP 3

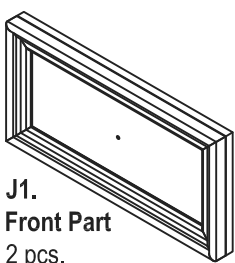
Attach Handle with Machine Screw.

**Note :** Do not over-tighten handle.  
Do not use power tools to assemble handle.

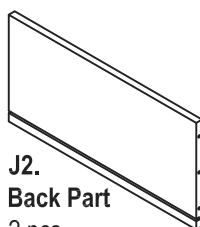


Note: Drawer assembly is not complete until 3/4" Flat Head Screws are used in a later step.

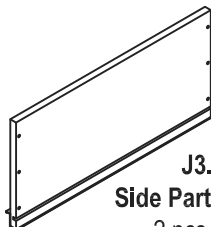
## Part List



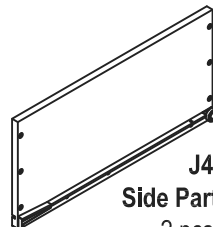
J1.  
Front Part  
2 pcs.



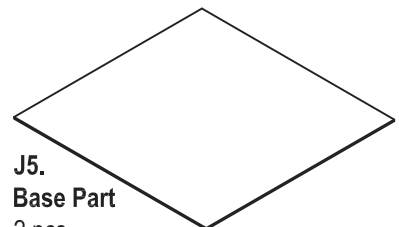
J2.  
Back Part  
2 pcs.



J3.  
Side Part  
2 pcs.



J4.  
Side Part  
2 pcs.



J5.  
Base Part  
2 pcs.



# VERY IMPORTANT !!

## CARE INSTRUCTIONS

### NEVER

USE GLASS CLEANERS ON FINISHED FURNITURE. AMMONIA WILL CHEMICALLY ATTACK THE FINISH.

### NEVER

ALLOW LIQUIDS OF ANY KIND TO REMAIN ON THE FURNITURE. ABSORPTION CAUSES PART TO WARP AND SPLIT AND FINISHES TO DELAMINATE.

DO NOT WRITE DIRECTLY ON SURFACE.



**PREVENT MARKING**

DO NOT PLACE IN DIRECT SUNLIGHT.



**PREVENT FADING**

DO NOT USE COMMERCIAL WAXES AND POLISHES.



**PREVENT YELLOWING**

DO NOT PLACE HOT OBJECTS ON SURFACE.



**PREVENT FINISH DAMAGE**

DO NOT USE RUBBER BASED PLACE MATS.



**PREVENT DISCOLORING**

## TO CLEAN

USE A SOFT CLOTH MOISTENED IN LUKEWARM SOAP AND WATER, THEN BUFF WITH A DRY CLEAN CLOTH.

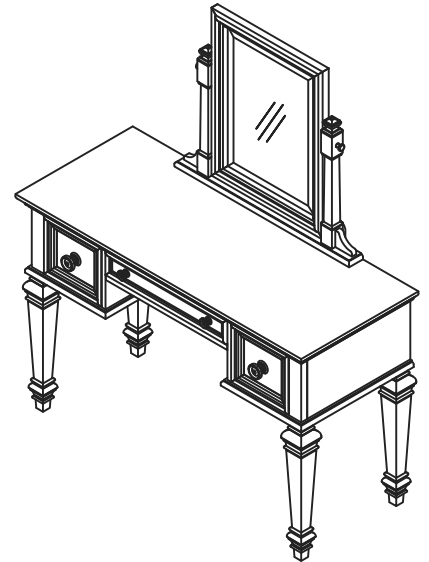


Home Styles will provide replacements free of charge for missing or damaged hardware or parts within 30 days of purchase. Digital images of the defective parts may be required. If this product was not purchased from an authorized retail affiliate, Home Styles is under no obligation to provide replacement parts. Parts are not available for fully assembled items nor are parts available for sale. Replacements for missing or damaged hardware or parts may be requested at:

[www.homestyles-furniture.com/customer\\_service](http://www.homestyles-furniture.com/customer_service)

**Home Styles Consumer Assistance:** [www.homestyles-furniture.com](http://www.homestyles-furniture.com),  
[servicedesk@homestyles-furniture.com](mailto:servicedesk@homestyles-furniture.com), 888-680-7460, 877-831-0319

# 88 5576 70 Vanity with Mirror



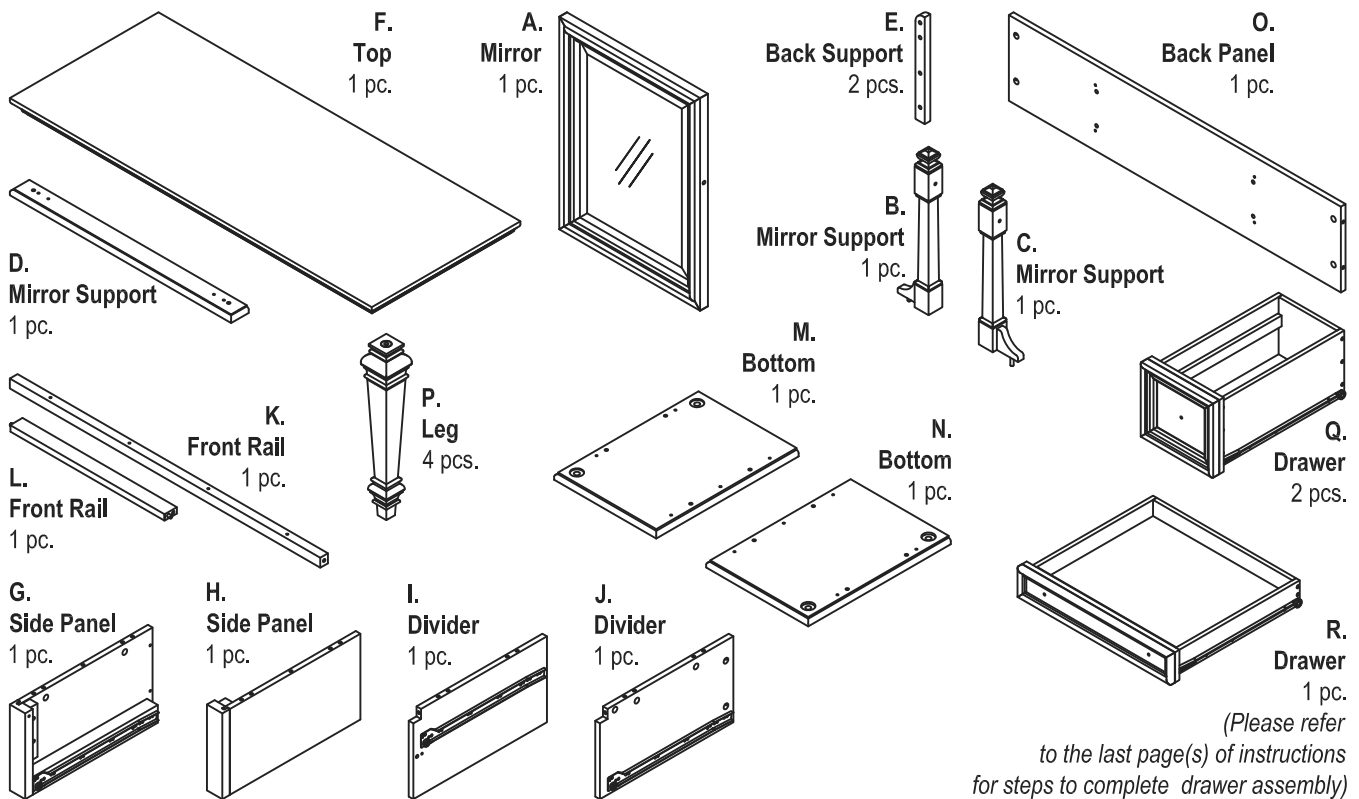
## IMPORTANT NOTE

Carefully remove all the parts from the carton and put them individually on a soft cloth to prevent scratches or other damages occurring to the parts.

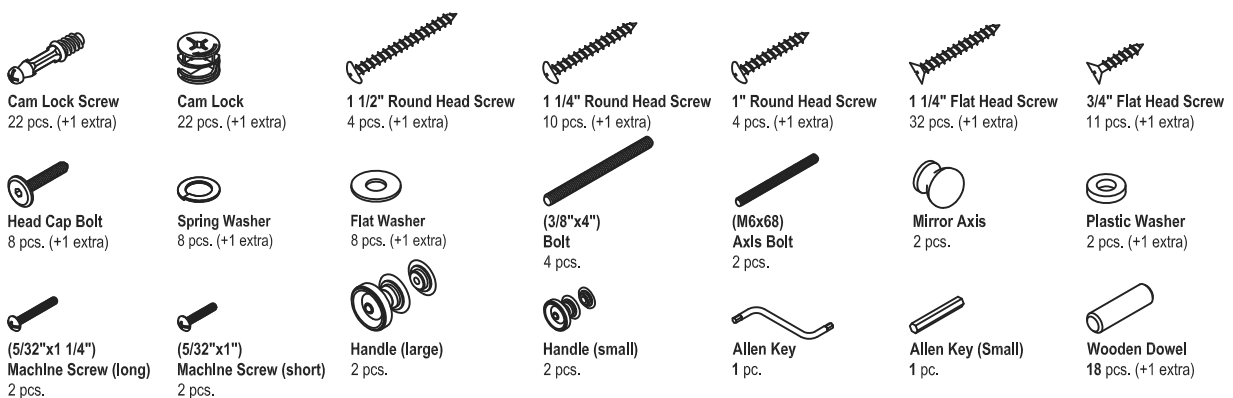
We have taken great care in the design of this product and request that you carefully and strictly follow our assembly instructions to ensure a completed product as it was designed.

*Home Styles*

## Part List



## Hardware List



Tools required for assembly : Phillips screwdriver

Tools recommended for assembly : Level

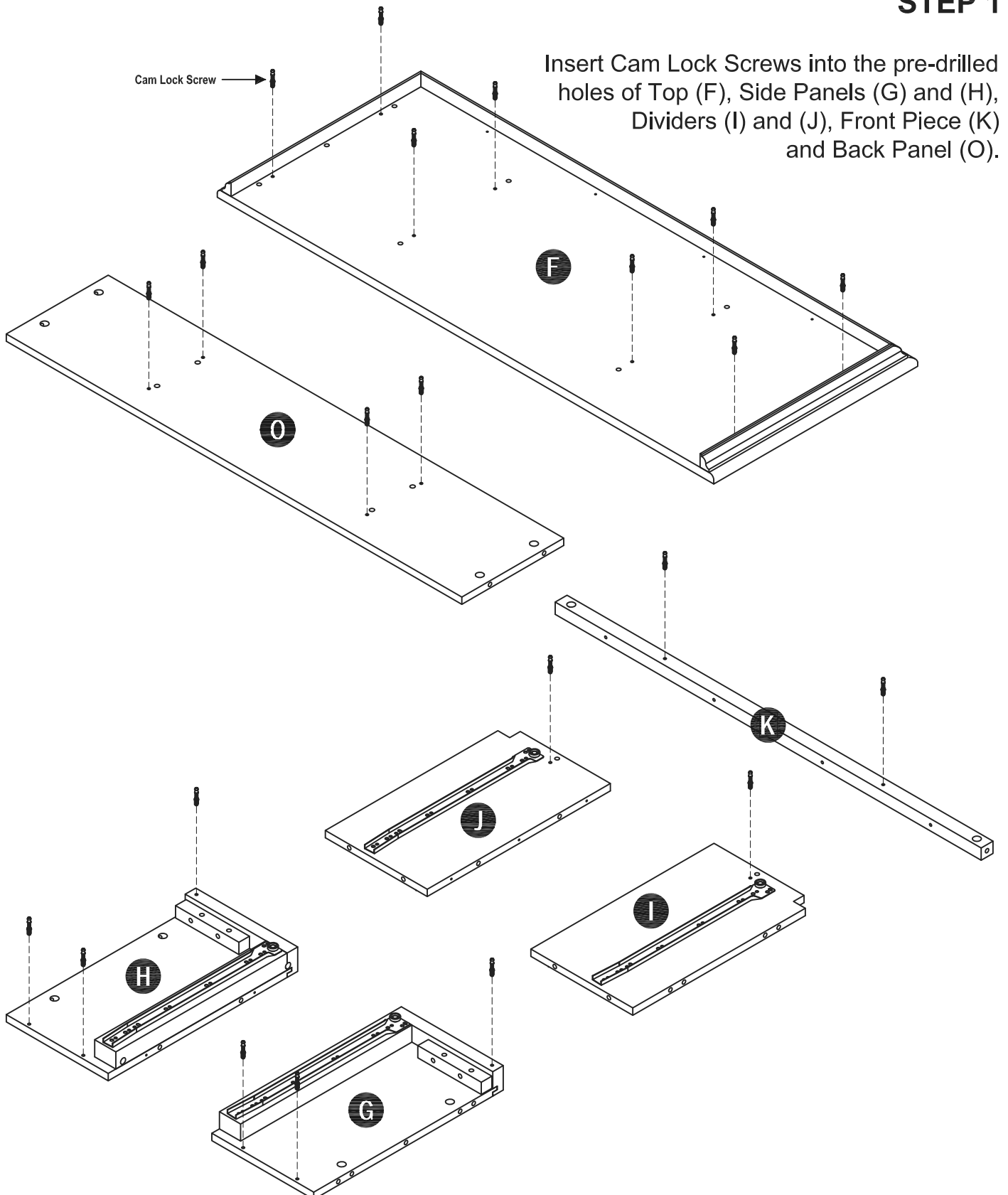
**Home Styles Consumer Assistance:** [www.homestyles-furniture.com](http://www.homestyles-furniture.com),  
[servicedesk@homestyles-furniture.com](mailto:servicedesk@homestyles-furniture.com), 888-680-7460, 877-831-0319

## Assembly Instructions 2/10

### IMPORTANT

- \* Do not tighten up all the screws until each part is properly assembled.
- \* You should keep Allen Key in a safe place as you may need to tighten up the Bolts in the future.
- \* After assembly, item must be level to work properly. use the included adjustable levelers to level
- \* Use a soft cloth between these parts and the floor.

### STEP 1



**STEP 2**

Attach Dividers (I) and (J) to Front Rail (L) with Cam Locks. (See Figure 1)

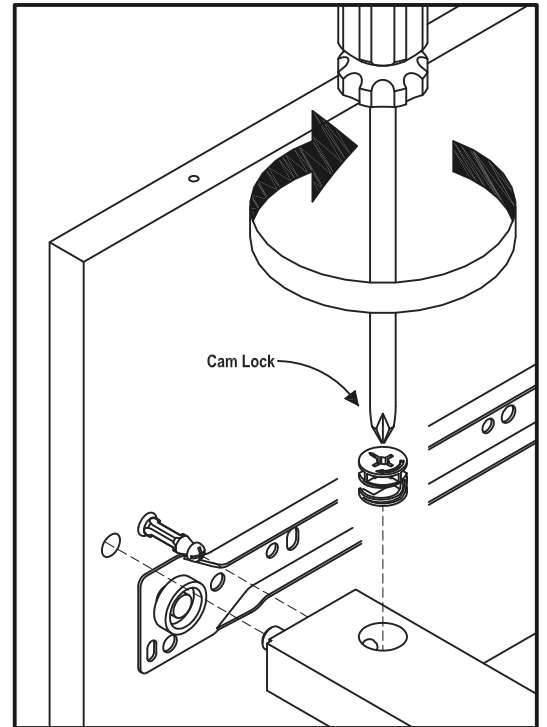
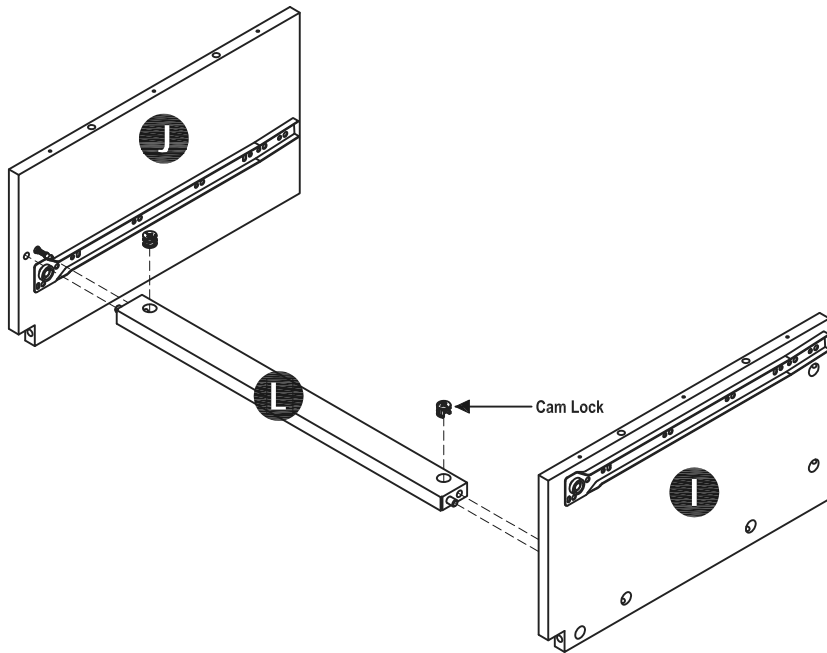
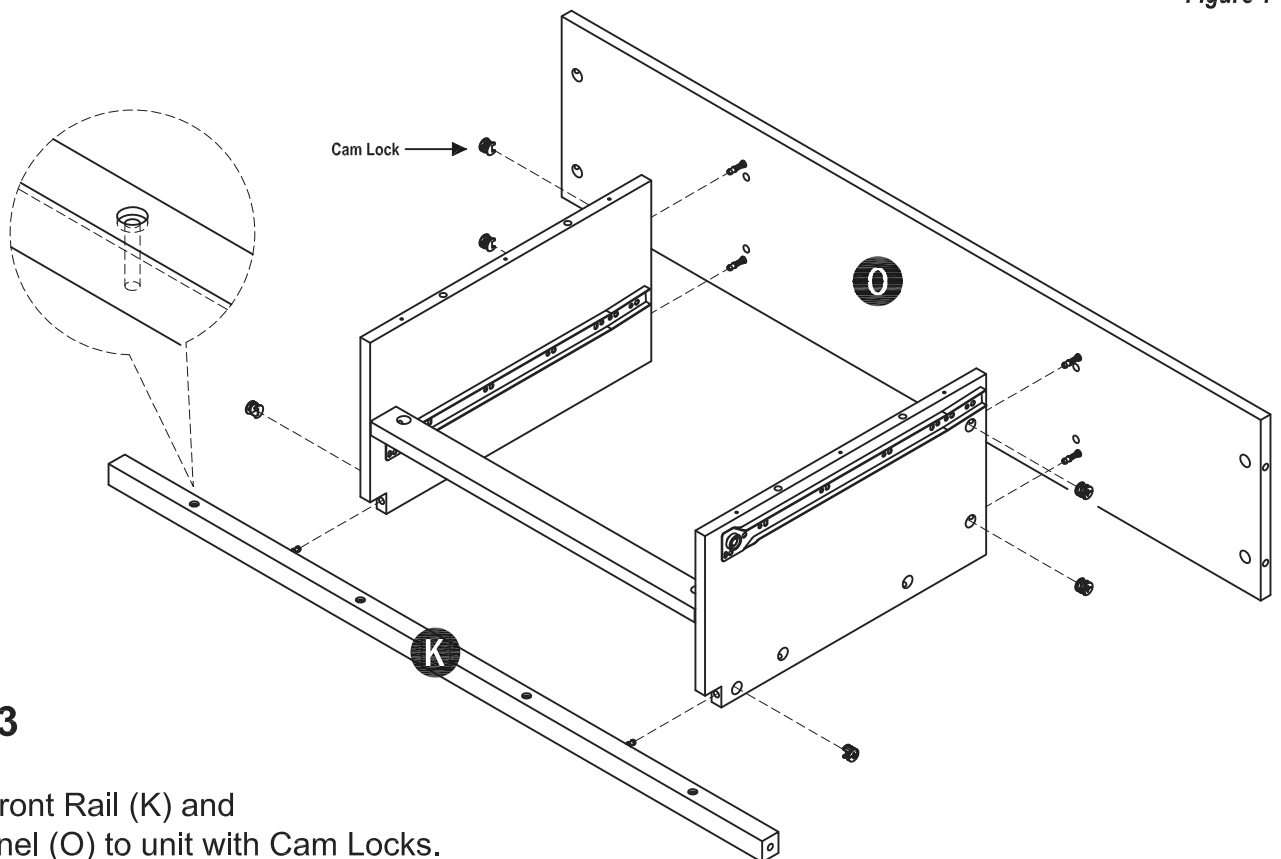


Figure 1

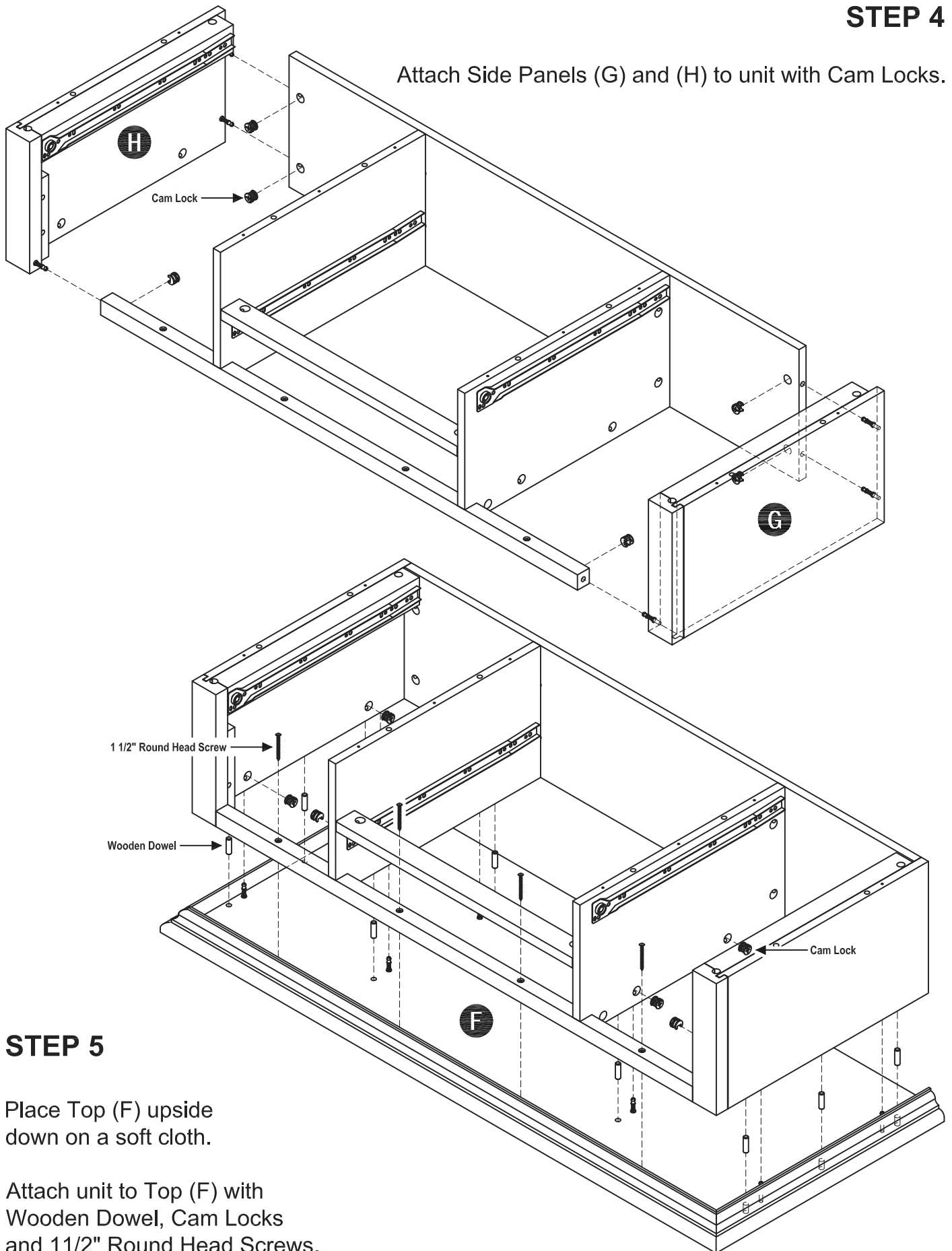


**STEP 3**

Attach Front Rail (K) and Back Panel (O) to unit with Cam Locks.

## STEP 4

Attach Side Panels (G) and (H) to unit with Cam Locks.



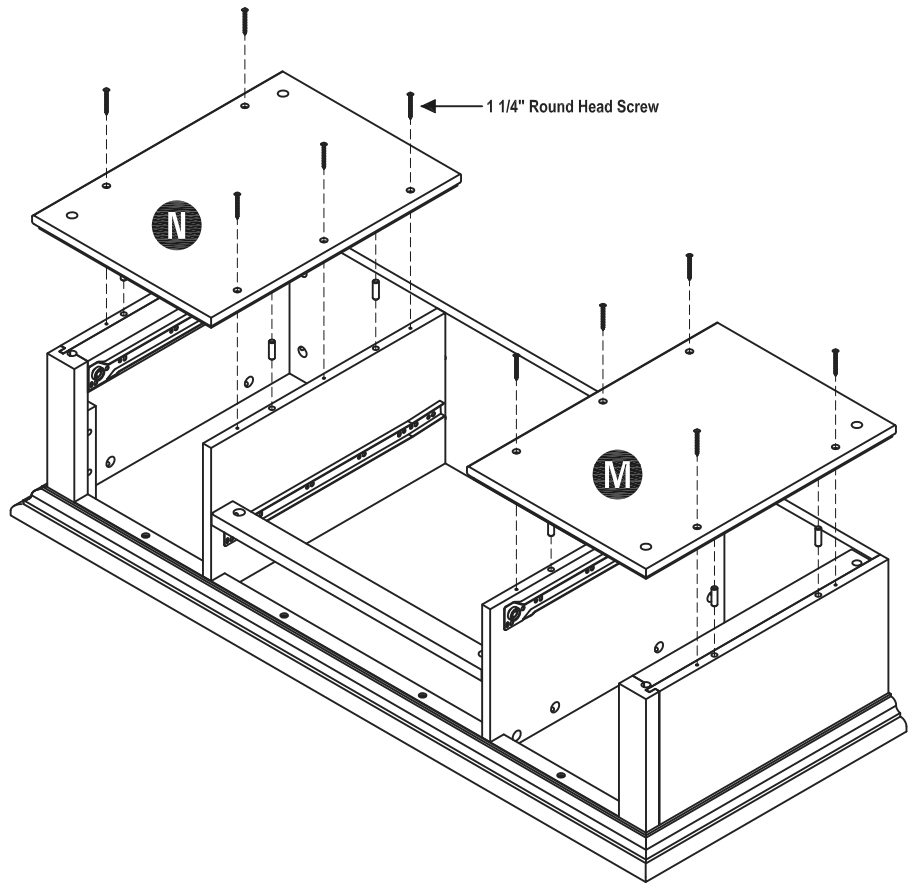
## STEP 5

Place Top (F) upside down on a soft cloth.

Attach unit to Top (F) with Wooden Dowel, Cam Locks and 1 1/2" Round Head Screws.

### STEP 6

Attach Bottoms (M) and (N) to unit with Wooden Dowels and 1 1/4" Round Head Screws.



### STEP 7

Attach Bolts to unit.

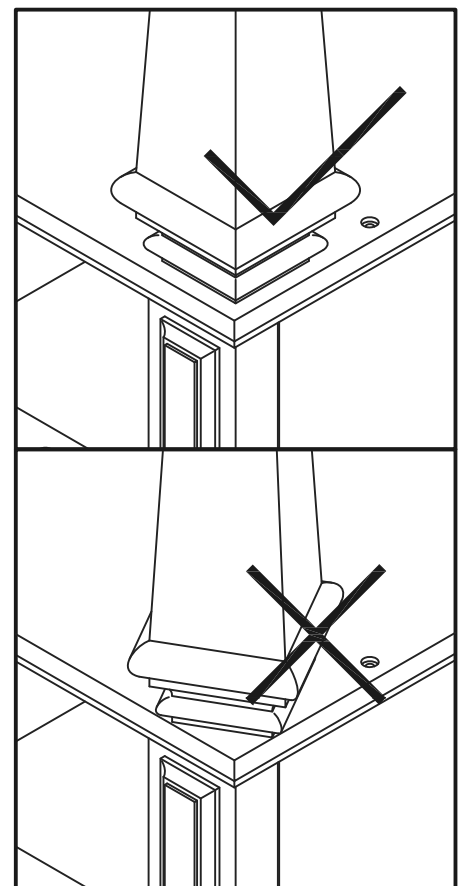
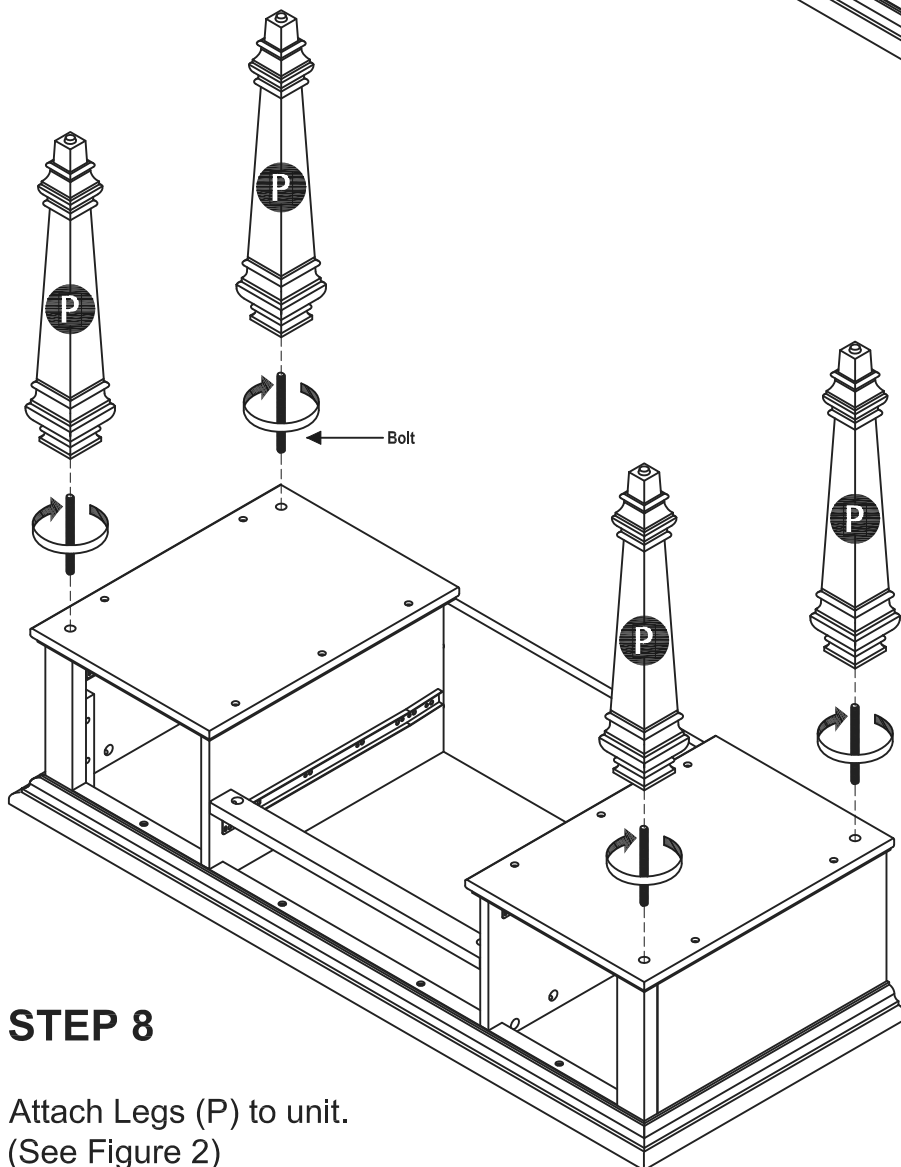


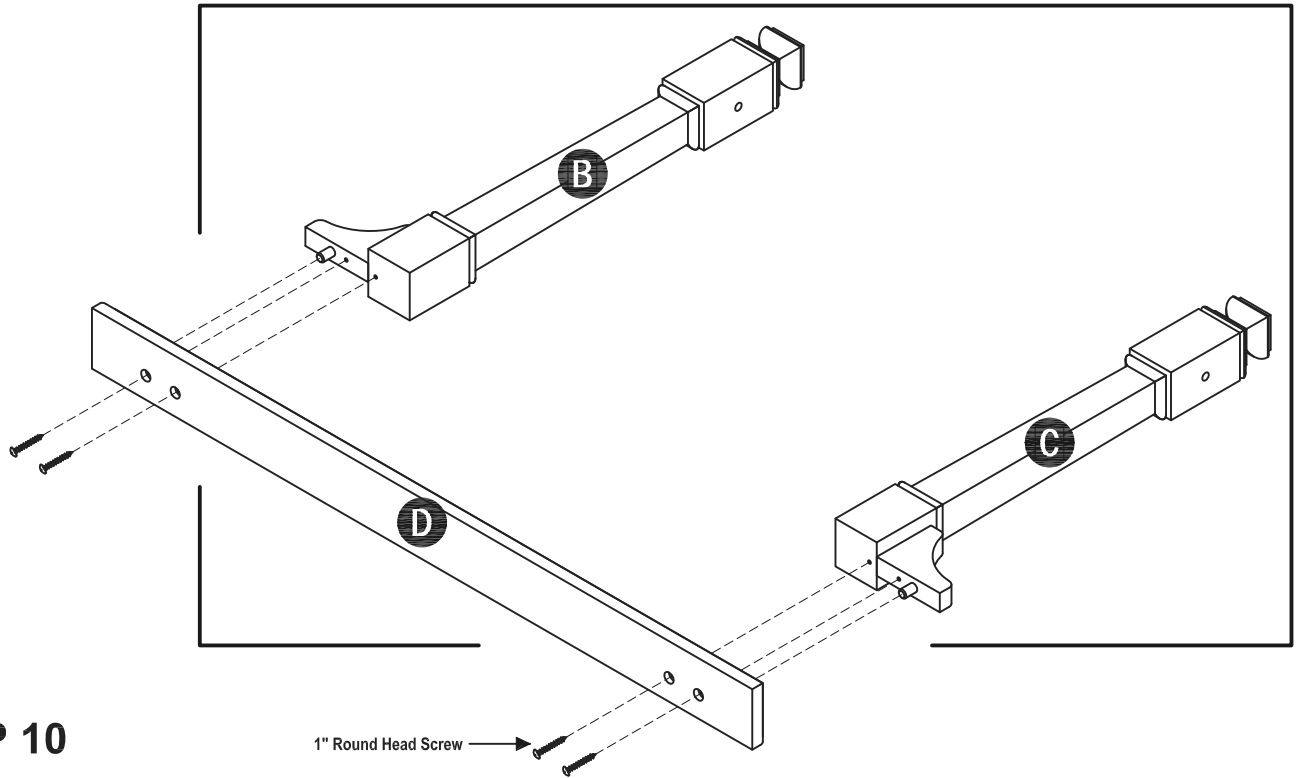
Figure 2

### STEP 8

Attach Legs (P) to unit.  
(See Figure 2)

**STEP 9**

Attach Mirror Supports (B) and (C) to Mirror Support (D) with 1" Round Head Screws.



**STEP 10**

Attach Mirror (A) to unit with Axis Bolts, Mirror Axis and Plastic Washers. (See Figure 3)

**Note :** The Plastic Washer is placed in between the Mirror Supports and Mirror (A).

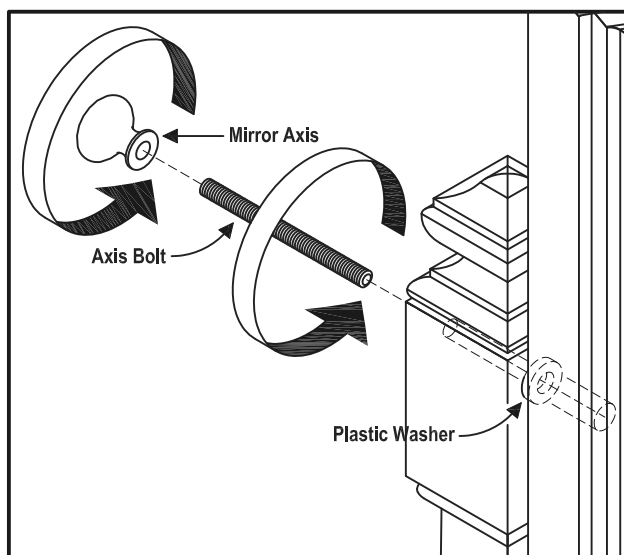
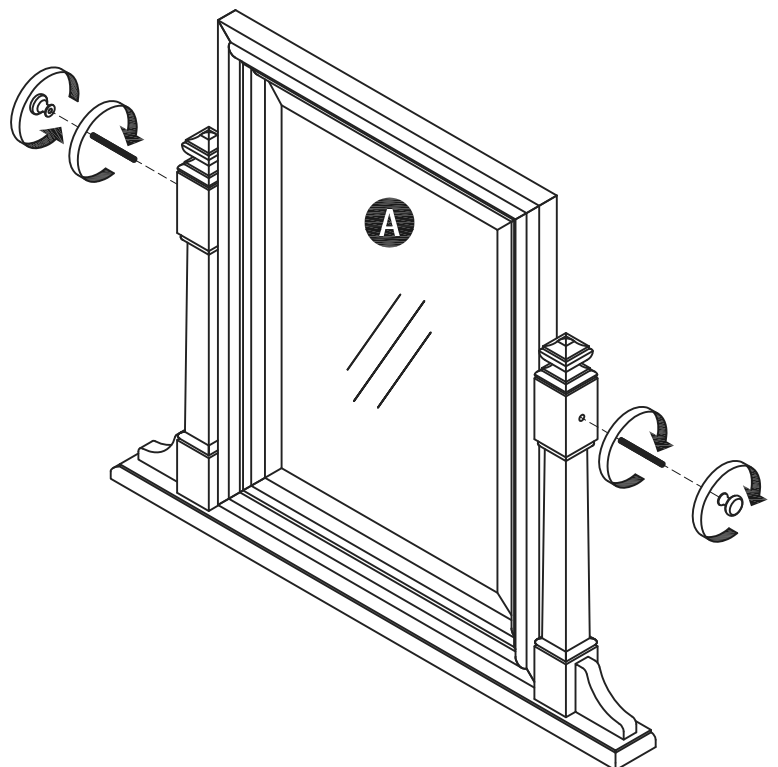


Figure 3



## STEP 11

Attach Back Supports (E) to unit from Step 8 and Step 10 with Head Cap Bolts, Flat Washers and Spring Washers.

Tighten with Allen Key.  
(See Figure 4)

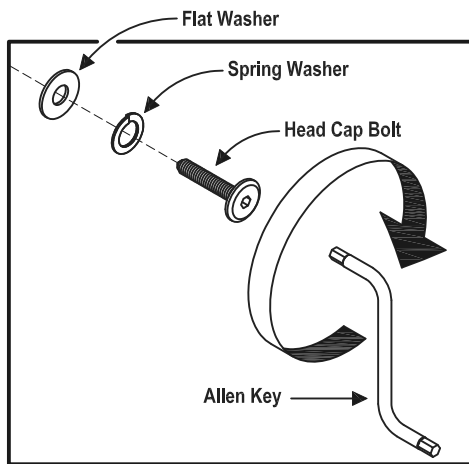


Figure 4

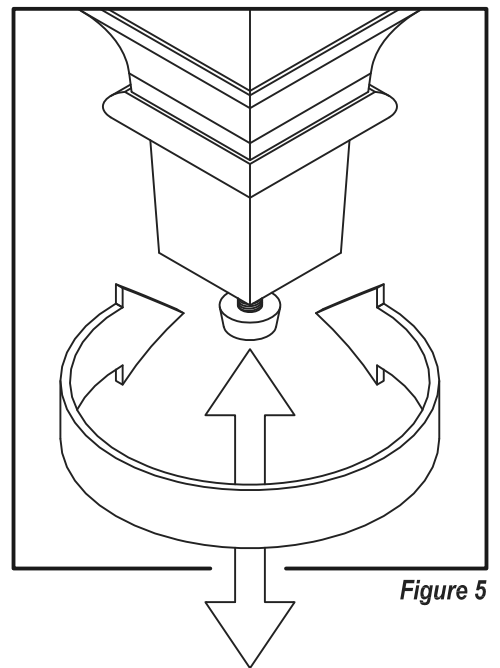
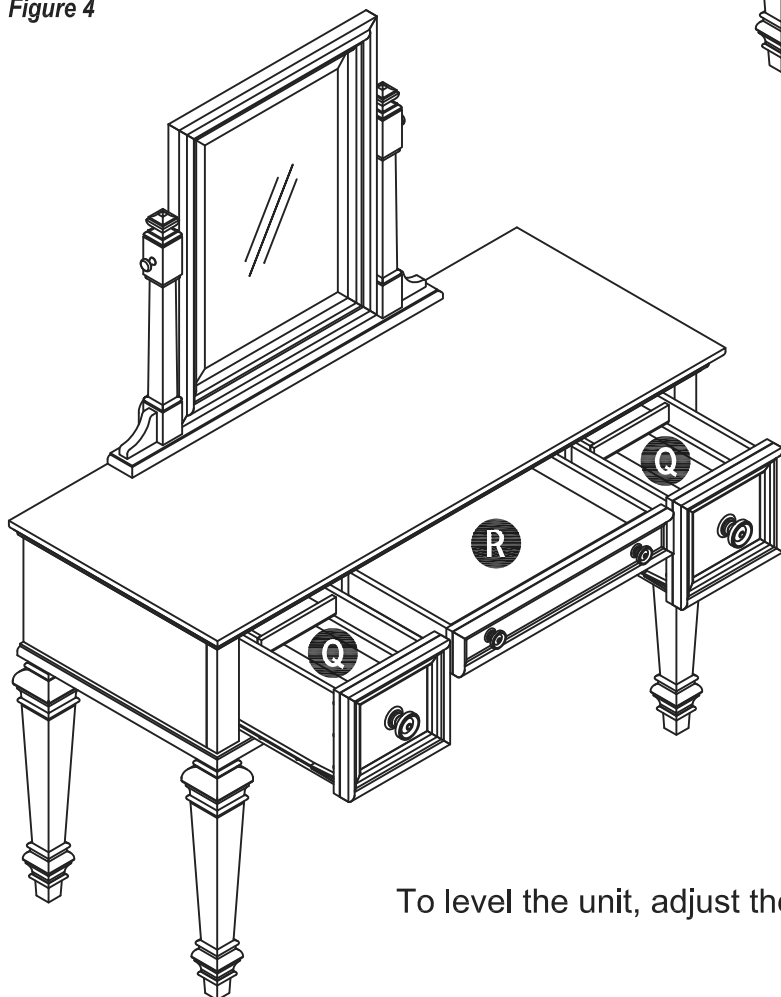
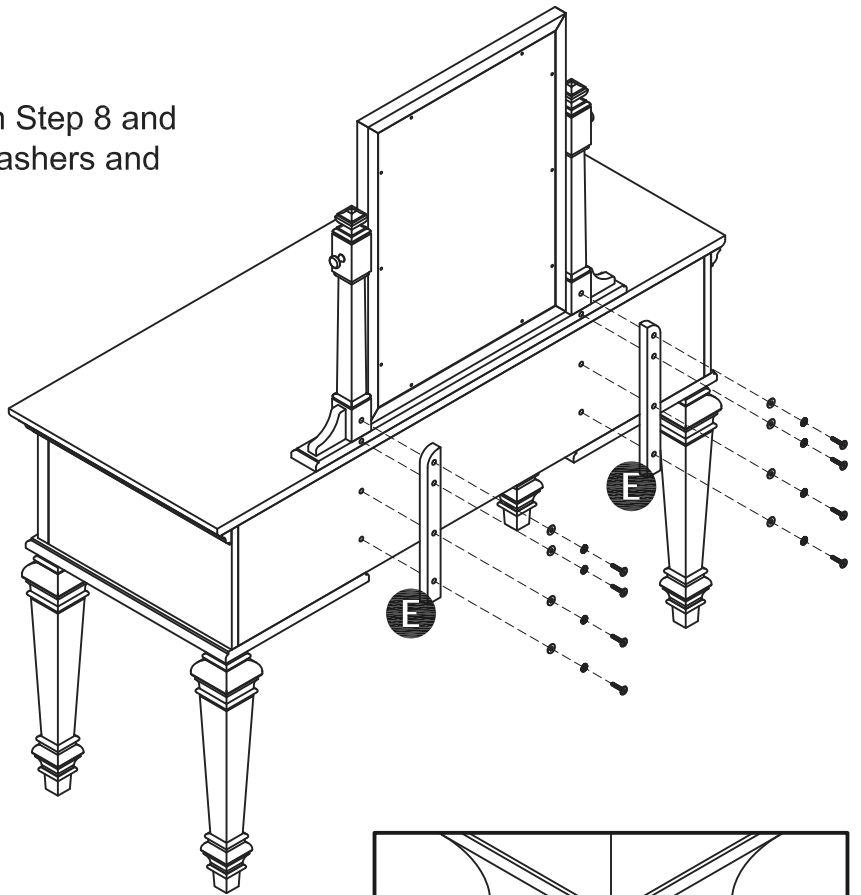


Figure 5

## STEP 12

Slide Drawers (Q) and (R) into position.

To level the unit, adjust the adjustable levelers on the bottom of unit.  
(See Figure 5)

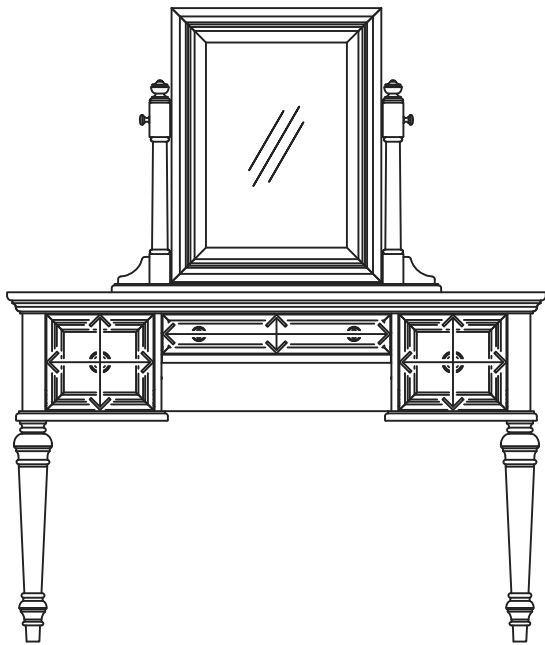
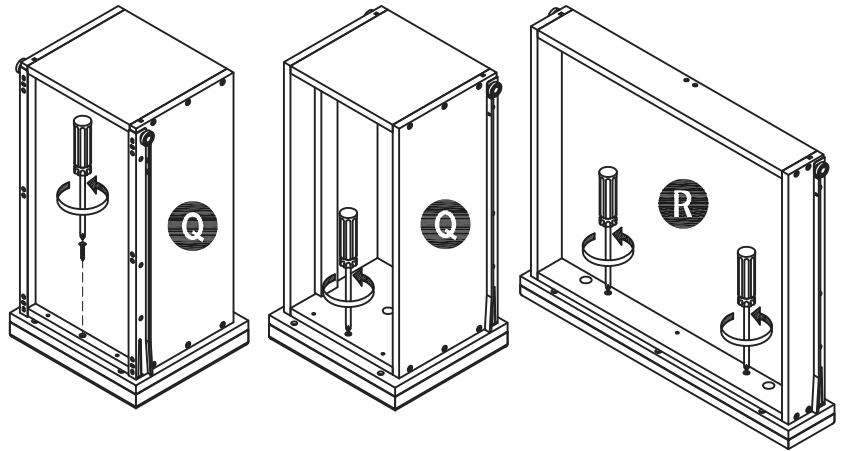
Note: Follow the steps on the next page to use 3/4" Flat Head Screws to complete drawer assembly.



## STEP 13

For Drawer (Q) loosen slightly the upper center screw and uninstall the lower center screw.

For Drawer (R) loosen slightly the two screws pre-installed on the back of the drawer fronts.

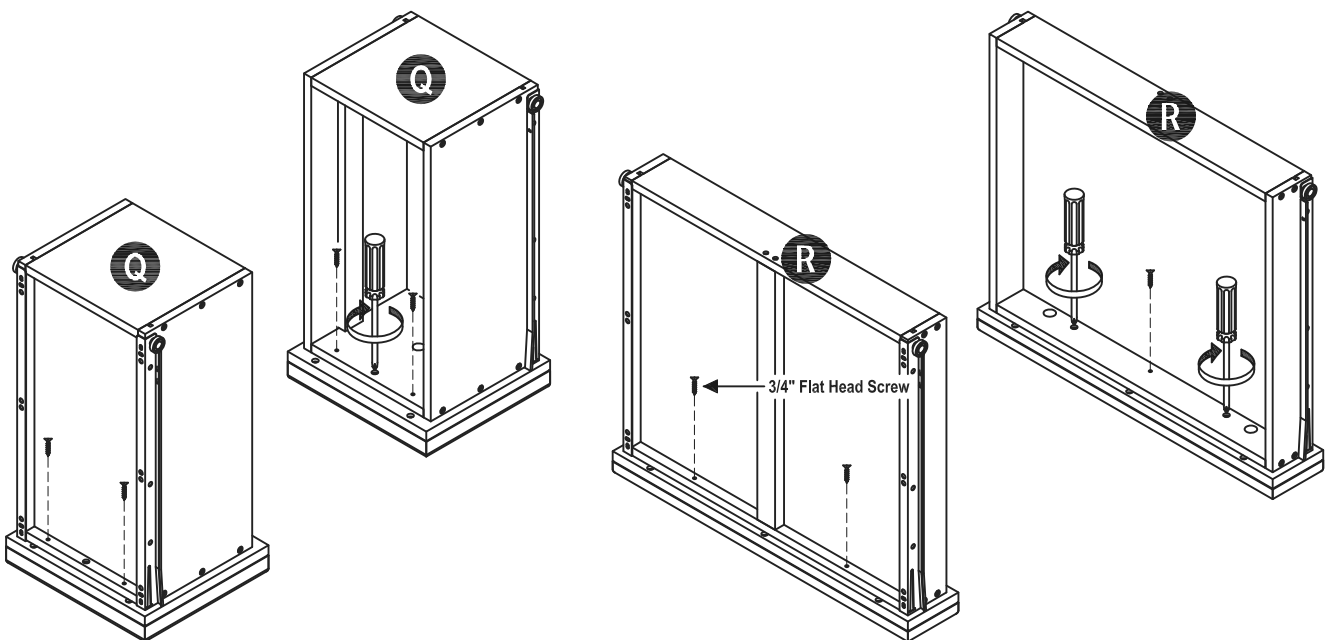


## STEP 14

Insert the drawer into the main body, then adjust the drawer front panel left or right and up or down until the drawer gaps look proportional.

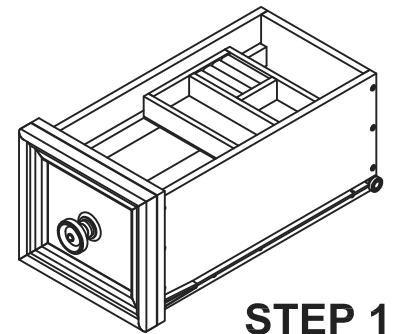
## STEP 15

Pull the drawer open slowly and re-tighten the screws from Step 13. Make sure the front panel does not move and lock the drawer front panel into position with 3/4" Flat Head Screws.



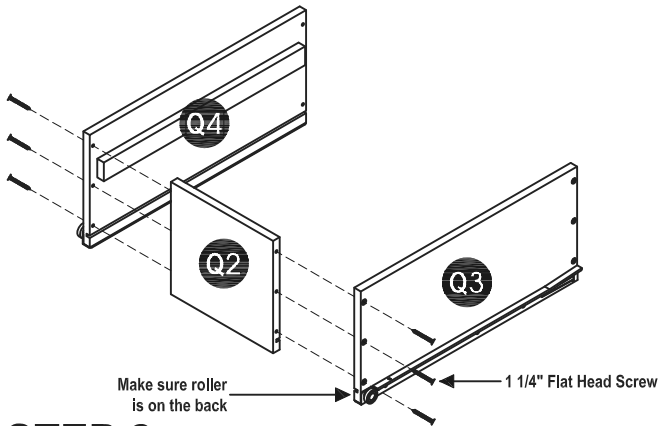
**Note: These 3/4" Flat Head Screws on this page must be installed to complete the drawer assembly.**

# Drawer (Q)



## STEP 1

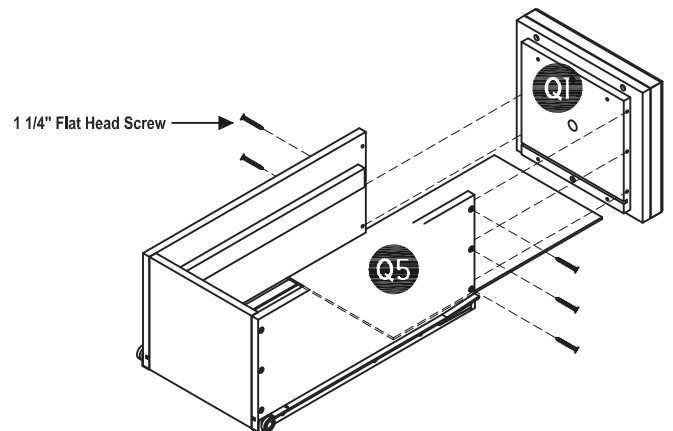
Attach Side Parts (Q3) and (Q4) to Back Part (Q2) with 1 1/4" Flat Head Screws.



## STEP 2

Insert Base Part (Q5) into the groove.

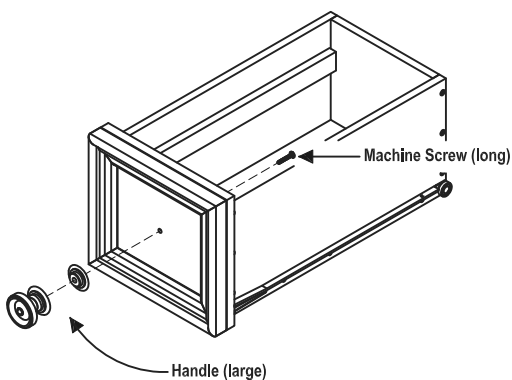
Attach Front Part (Q1) to unit with 1 1/4" Flat Head Screws.



## STEP 3

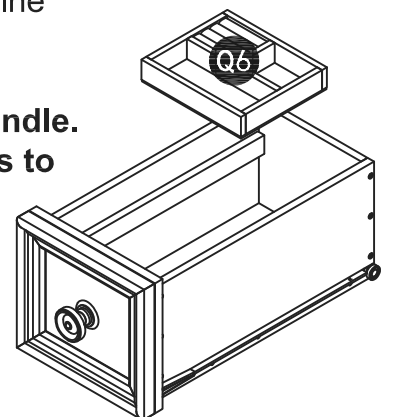
Attach Handle (large) with Machine Screws (long).

**Note :** Do not over-tighten handle.  
Do not use power tools to assemble handle.



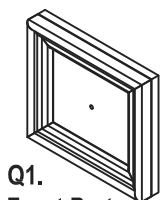
## STEP 4

Place Jewelry Box (Q6) into position.

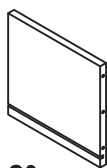


Note: Drawer assembly is not complete until 3/4" Flat Head Screws are used in a later step.

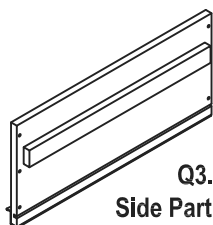
## Part List



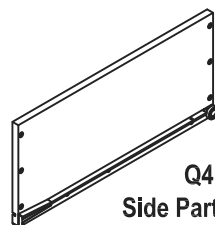
**Q1.**  
Front Part  
2 pcs.



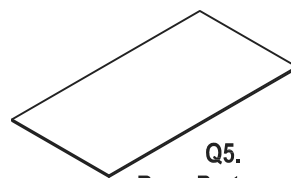
**Q2.**  
Back Part  
2 pcs.



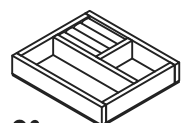
**Q3.**  
Side Part  
2 pcs.



**Q4.**  
Side Part  
2 pcs.

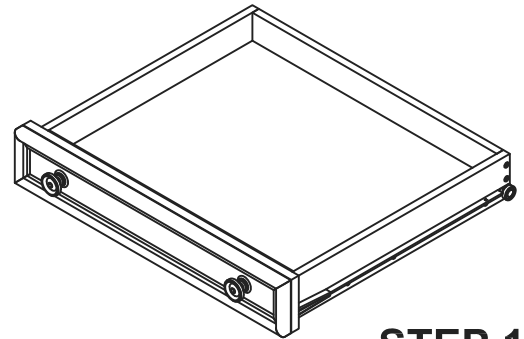


**Q5.**  
Base Part  
2 pcs.



**Q6.**  
Jewelry Box  
2 pcs.

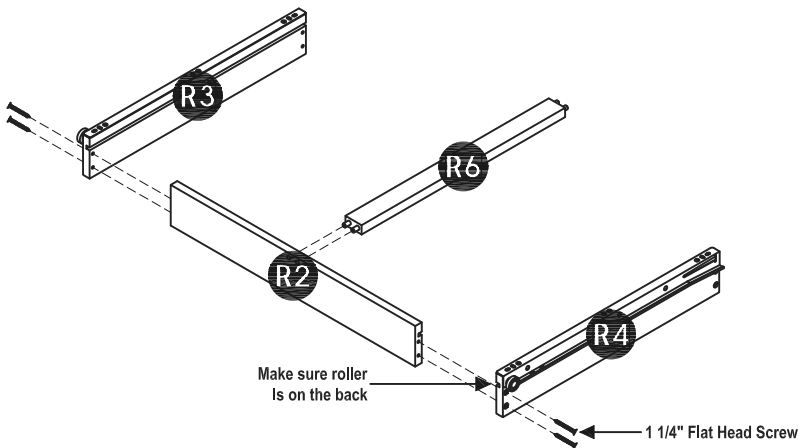
# Drawer (R)



## STEP 1

Attach Side Parts (R3) and (R4) to Back Part (R2) with 1 1/4" Flat Head Screws.

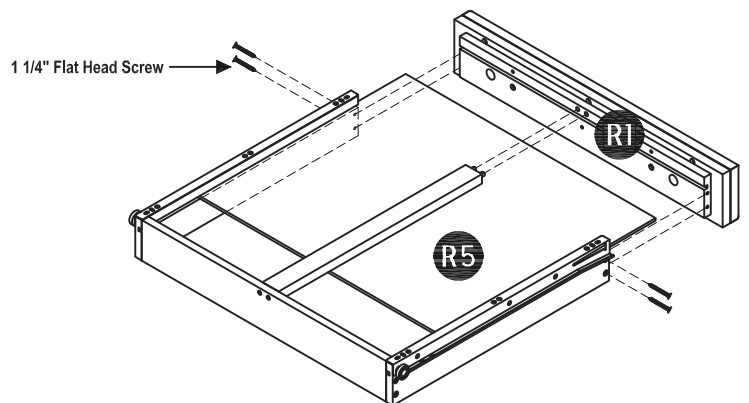
Attach Base Part (R6) to Back Part (R2).



## STEP 2

Insert Base Part (R5) into the groove.

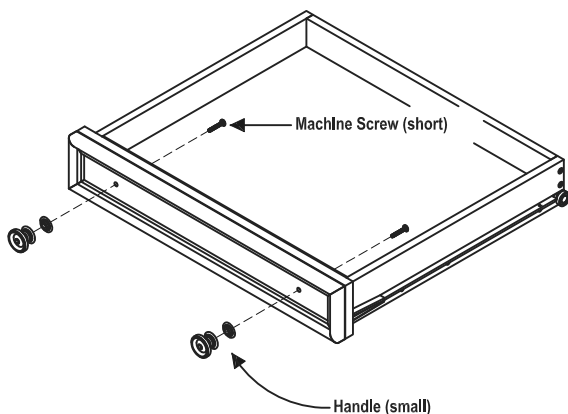
Attach Front Part (R1) to unit with 1 1/4" Flat Head Screws.



## STEP 3

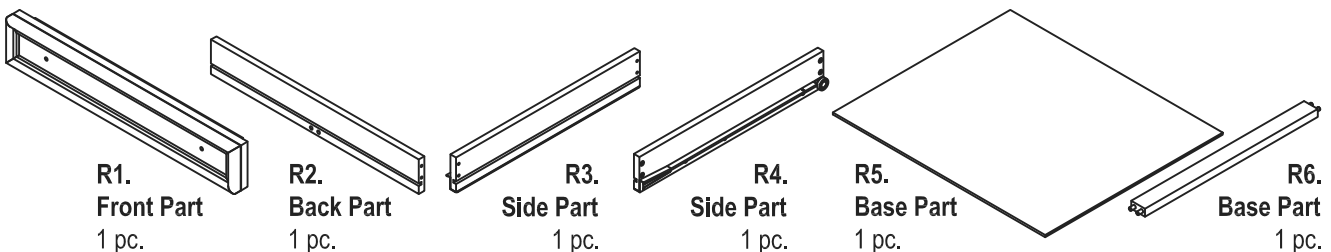
Attach Handles (small) with Machine Screws (short).

**Note :** Do not over-tighten handle.  
Do not use power tools to assemble handle.



Note: Drawer assembly is not complete until 3/4" Flat Head Screws are used in a later step.

## Part List



# VERY IMPORTANT !!

## CARE INSTRUCTIONS

### NEVER

USE GLASS CLEANERS ON FINISHED FURNITURE. AMMONIA WILL CHEMICALLY ATTACK THE FINISH.

### NEVER

ALLOW LIQUIDS OF ANY KIND TO REMAIN ON THE FURNITURE. ABSORPTION CAUSES PART TO WARP AND SPLIT AND FINISHES TO DELAMINATE.

DO NOT WRITE DIRECTLY ON SURFACE.



**PREVENT MARKING**

DO NOT PLACE IN DIRECT SUNLIGHT.



**PREVENT FADING**

DO NOT USE COMMERCIAL WAXES AND POLISHES.



**PREVENT YELLOWING**

DO NOT PLACE HOT OBJECTS ON SURFACE.



**PREVENT FINISH DAMAGE**

DO NOT USE RUBBER BASED PLACE MATS.



**PREVENT DISCOLORING**

## TO CLEAN

USE A SOFT CLOTH MOISTENED IN LUKEWARM SOAP AND WATER, THEN BUFF WITH A DRY CLEAN CLOTH.



Home Styles will provide replacements free of charge for missing or damaged hardware or parts within 30 days of purchase. Digital images of the defective parts may be required. If this product was not purchased from an authorized retail affiliate, Home Styles is under no obligation to provide replacement parts. Parts are not available for fully assembled items nor are parts available for sale. Replacements for missing or damaged hardware or parts may be requested at:

[www.homestyles-furniture.com/customer\\_service](http://www.homestyles-furniture.com/customer_service)

**Home Styles Consumer Assistance:** [www.homestyles-furniture.com](http://www.homestyles-furniture.com),  
[servicedesk@homestyles-furniture.com](mailto:servicedesk@homestyles-furniture.com), 888-680-7460, 877-831-0319

# 88 5576 78

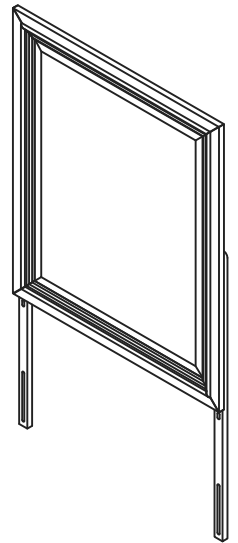
## Mirror

### IMPORTANT NOTE

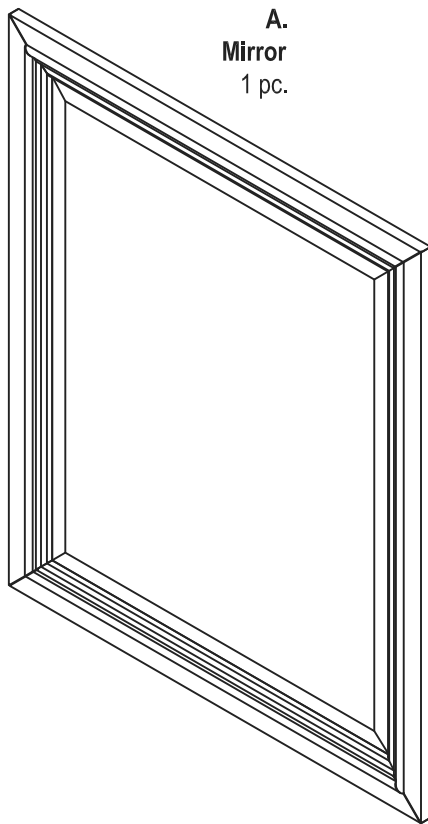
Carefully remove all the parts from the carton and put them individually on a soft cloth to prevent scratches or other damages occurring to the wood parts.

We have taken great care in the design of this product and request that you carefully and strictly follow our assembly instructions to ensure a completed product as it was designed.

*Home Styles*



## Part List



**A.**  
Mirror  
1 pc.

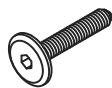


**B.**  
Mirror Support  
2 pcs.

## Hardware List



(M6x40)  
Head Cap Bolt (Long)  
4 pcs. (+1 extra)



(M6x30)  
Head Cap Bolt (Short)  
4 pcs. (+1 extra)



Spring Washer  
8 pcs. (+1 extra)



Flat Washer  
8 pcs. (+1 extra)



Key Wrench  
1 pc.



Small Key Wrench  
1 pc.

**Home Styles Consumer Assistance:** [www.homestyles-furniture.com](http://www.homestyles-furniture.com),  
[servicedesk@homestyles-furniture.com](mailto:servicedesk@homestyles-furniture.com), 888-680-7460, 877-831-0319

# Assembly Instructions 2/3

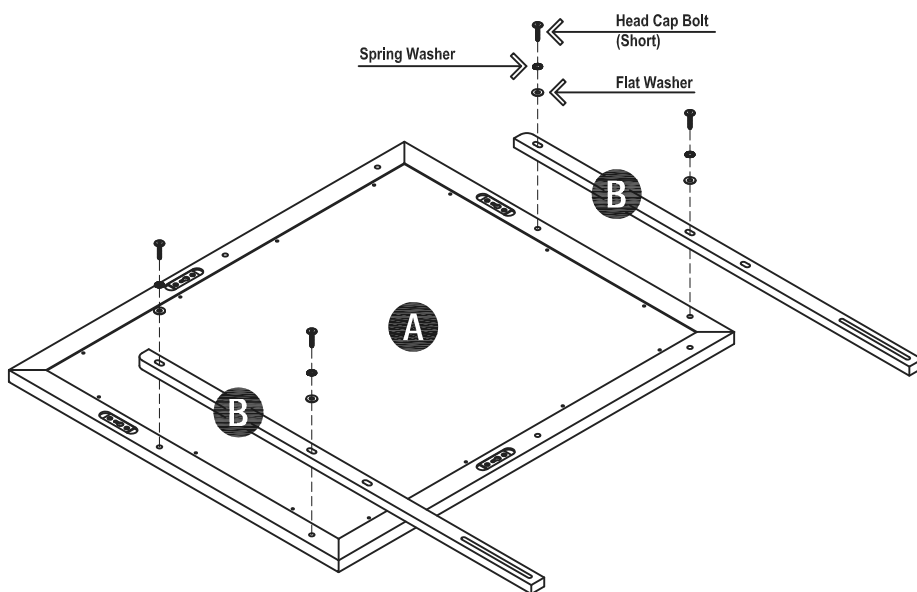
## IMPORTANT

- \* Do not tighten up all the bolts until each part is properly assembled.
- \* You should keep Key Wrench in a safe place as you may need to tighten up the Head Cap Bolts in the future.
- \* Use a soft cloth between these parts and the floor.

## STEP 1

Carefully place Mirror (A) face down on a soft cloth.

### HORIZONTAL



Attach Mirror Supports (B) to Mirror (A) in horizontal or vertical position with Head Cap Bolts (Short), Spring Washers and Flat Washers.

Tighten with Key Wrench.  
(See Figure 1)

### VERTICAL

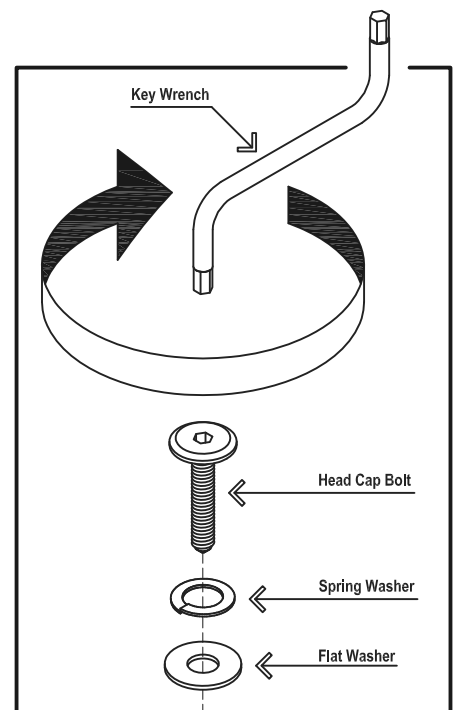
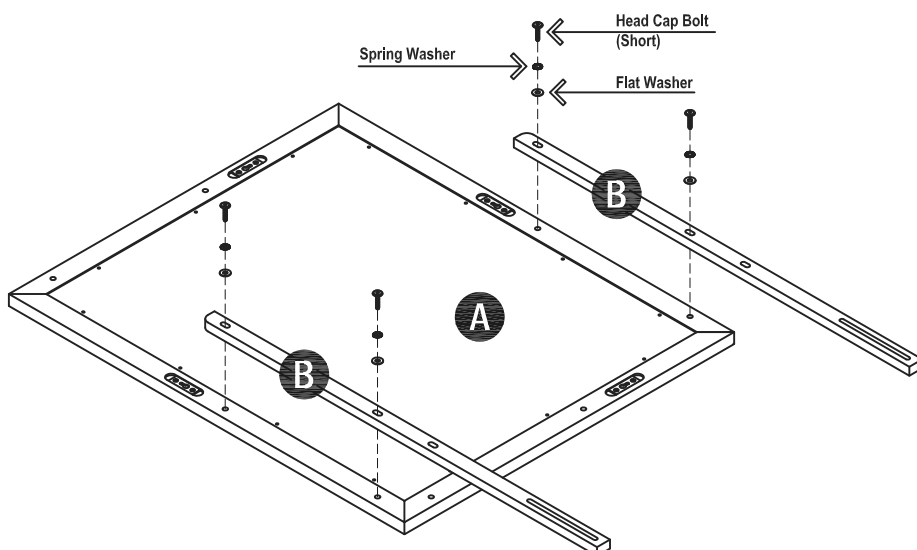


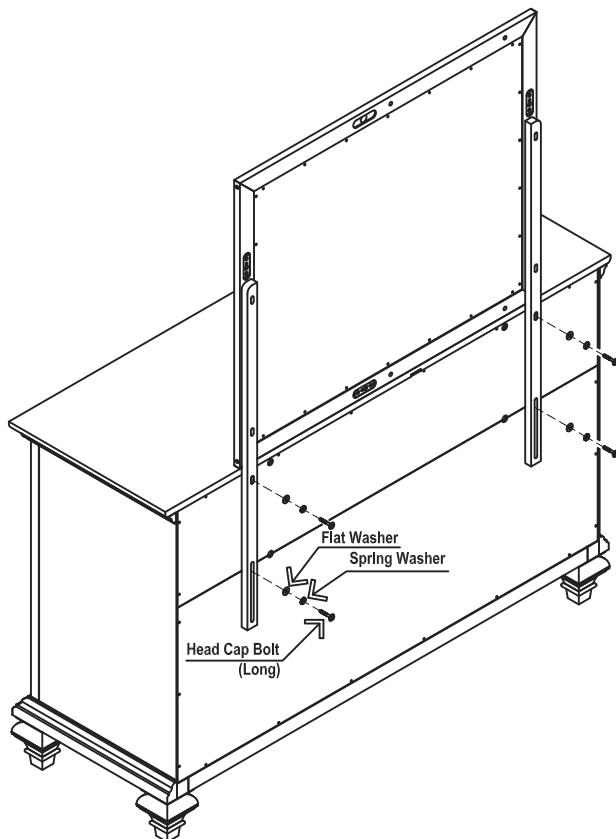
Figure 1

## STEP 2

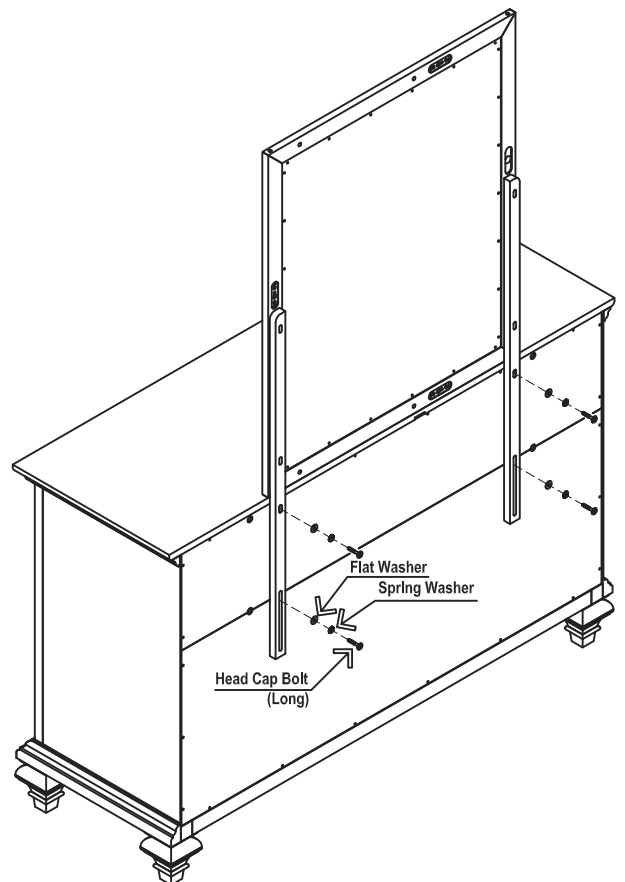
Attach the unit in horizontal or vertical position to Dresser with Head Cap Bolts (Long), Spring Washers and Flat Washers.

Tighten with Key Wrench.  
(See Figure 1)

HORIZONTAL



VERTICAL



# VERY IMPORTANT !!

## CARE INSTRUCTIONS

### NEVER

USE GLASS CLEANERS ON FINISHED FURNITURE. AMMONIA WILL CHEMICALLY ATTACK THE FINISH.

### NEVER

ALLOW LIQUIDS OF ANY KIND TO REMAIN ON THE FURNITURE. ABSORPTION CAUSES PART TO WARP AND SPLIT AND FINISHES TO DELAMINATE.

DO NOT WRITE DIRECTLY ON SURFACE.



**PREVENT MARKING**

DO NOT PLACE IN DIRECT SUNLIGHT.



**PREVENT FADING**

DO NOT USE COMMERCIAL WAXES AND POLISHES.



**PREVENT YELLOWING**

DO NOT PLACE HOT OBJECTS ON SURFACE.



**PREVENT FINISH DAMAGE**

DO NOT USE RUBBER BASED PLACE MATS.



**PREVENT DISCOLORING**

## TO CLEAN

USE A SOFT CLOTH MOISTENED IN LUKEWARM SOAP AND WATER, THEN BUFF WITH A DRY CLEAN CLOTH.



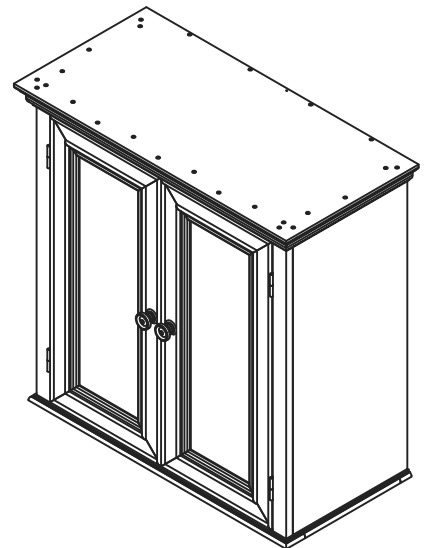
Home Styles will provide replacements free of charge for missing or damaged hardware or parts within 30 days of purchase. Digital images of the defective parts may be required. If this product was not purchased from an authorized retail affiliate, Home Styles is under no obligation to provide replacement parts. Parts are not available for fully assembled items nor are parts available for sale. Replacements for missing or damaged hardware or parts may be requested at:

[www.homestyles-furniture.com/customer\\_service](http://www.homestyles-furniture.com/customer_service)

**Home Styles Consumer Assistance:** [www.homestyles-furniture.com](http://www.homestyles-furniture.com),  
[servicedesk@homestyles-furniture.com](mailto:servicedesk@homestyles-furniture.com), 888-680-7460, 877-831-0319



# 88 5576 451 Door Hutch



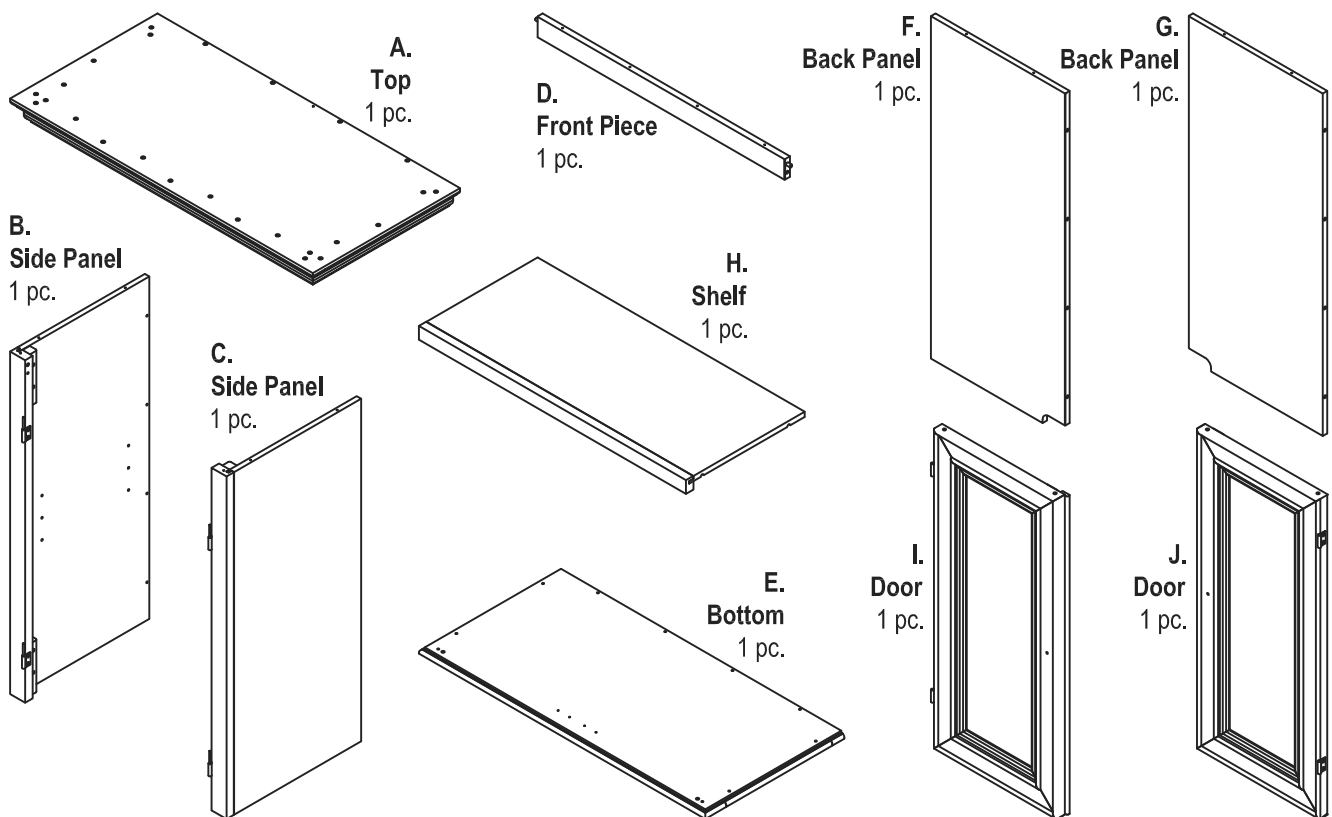
## IMPORTANT NOTE

Carefully remove all the parts from the carton and put them individually on a soft cloth to prevent scratches or other damage occurring to the parts.

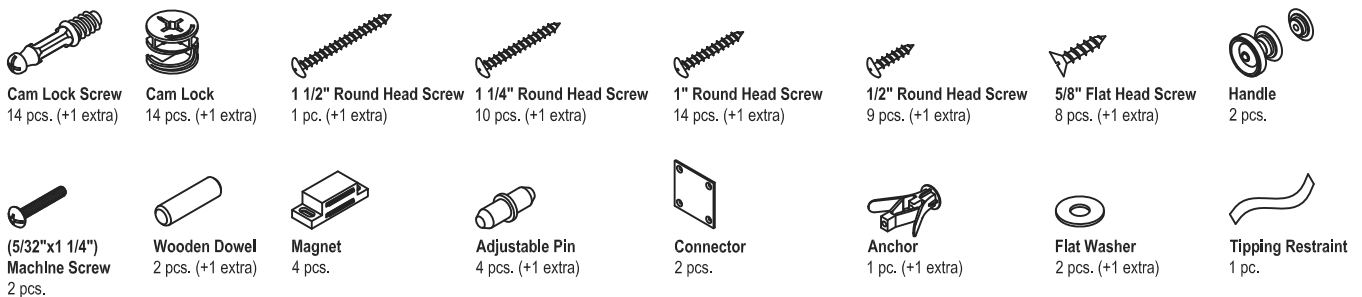
We have taken great care in the design of this product and request that you carefully and strictly follow our assembly instructions to ensure a completed product as it was designed.

*Home  
Styles*

## Part List



## Hardware List



Tools Required For Assembly : Phillips screwdriver

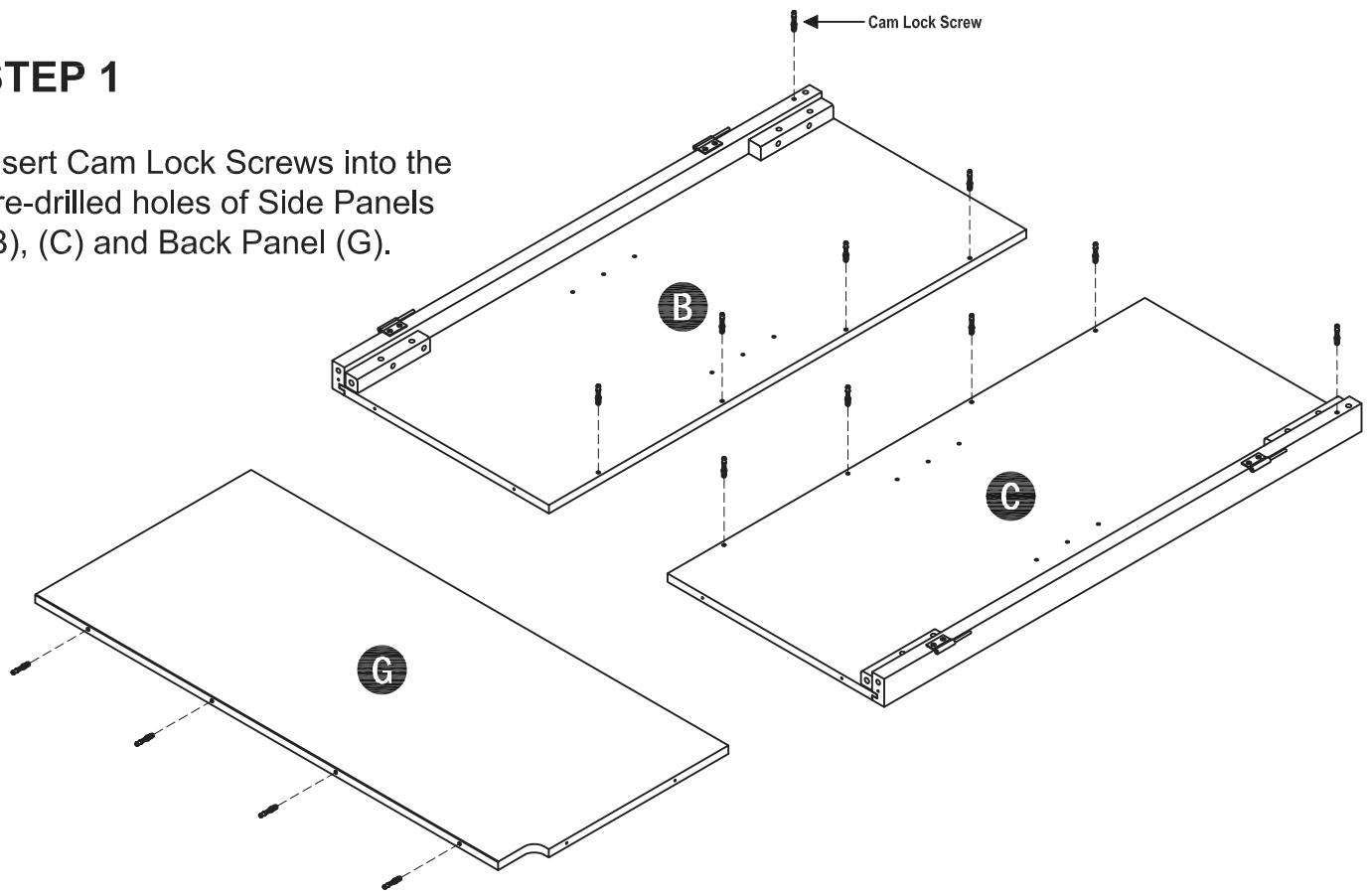
**Home Styles Consumer Assistance:** [www.homestyles-furniture.com](http://www.homestyles-furniture.com),  
[servicedesk@homestyles-furniture.com](mailto:servicedesk@homestyles-furniture.com), 888-680-7460, 877-831-0319

**IMPORTANT**

- \* Do not tighten up all the screws until each part is properly assembled.
- \* Use a soft cloth between these parts and the floor.

## STEP 1

Insert Cam Lock Screws into the pre-drilled holes of Side Panels (B), (C) and Back Panel (G).



## STEP 2

Attach Magnets to Front Piece (D) and Bottom (E) using 1/2" Round Head Screws. (See Figure 1)

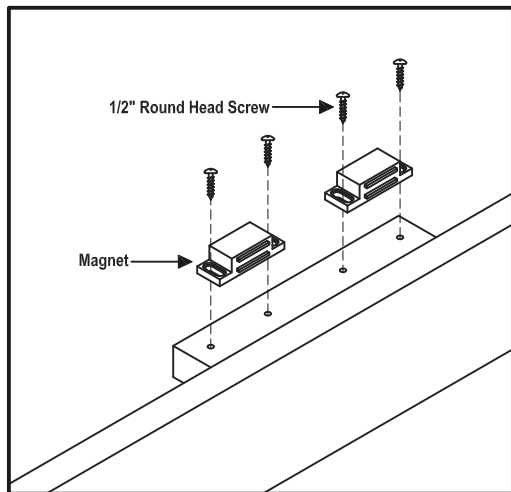
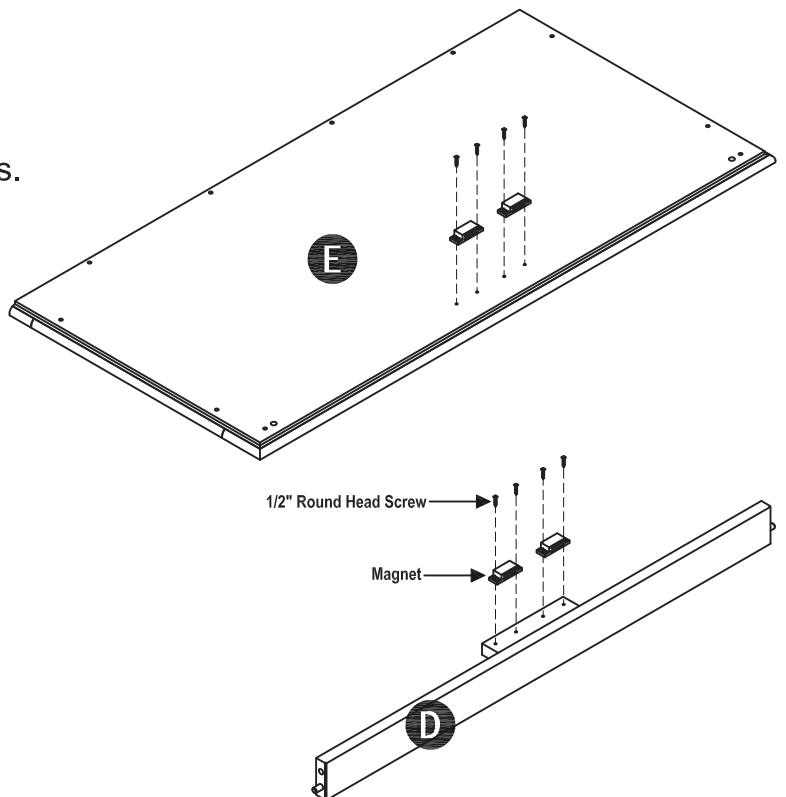


Figure 1



## STEP 3

Attach Back Panel (F) to Back Panel (G) with Cam Locks.  
(See Figure 2)

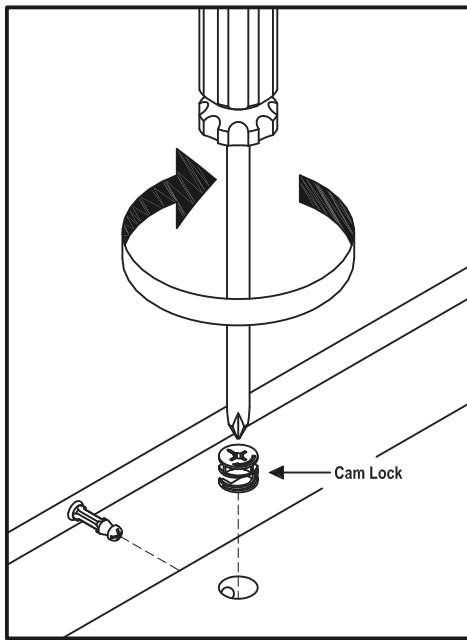
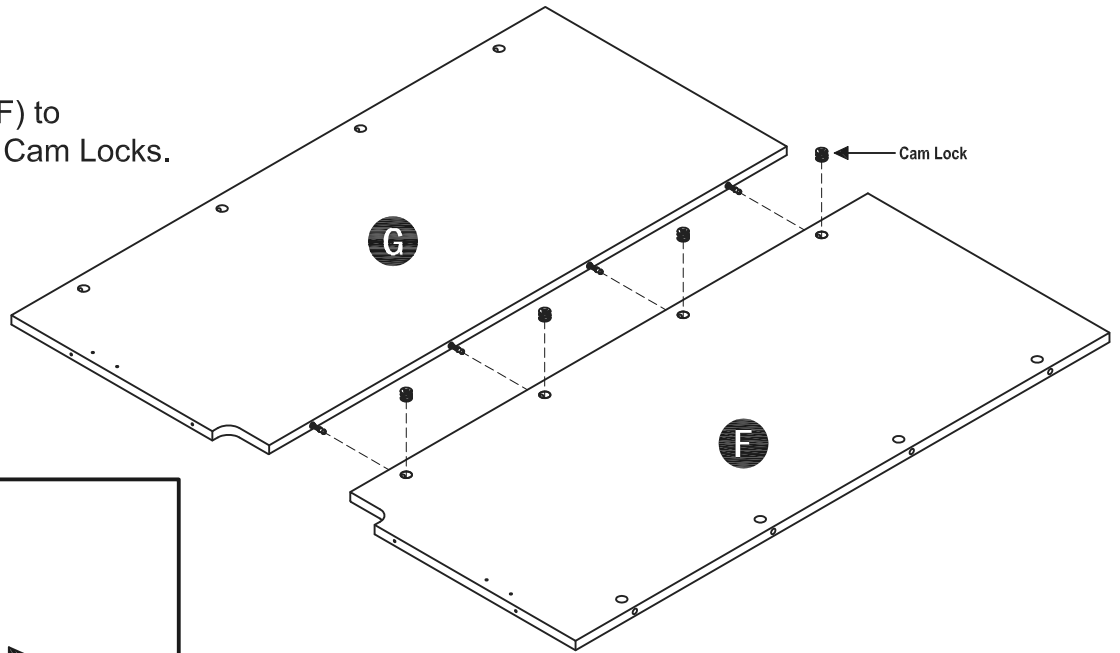
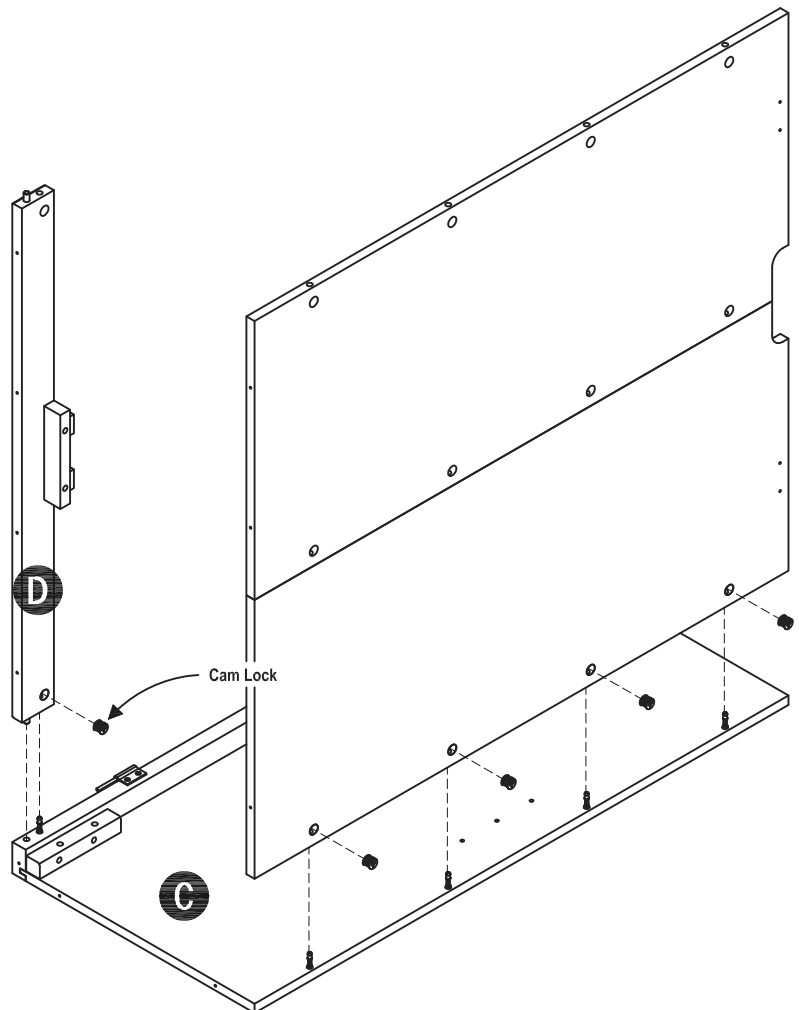


Figure 2

## STEP 4

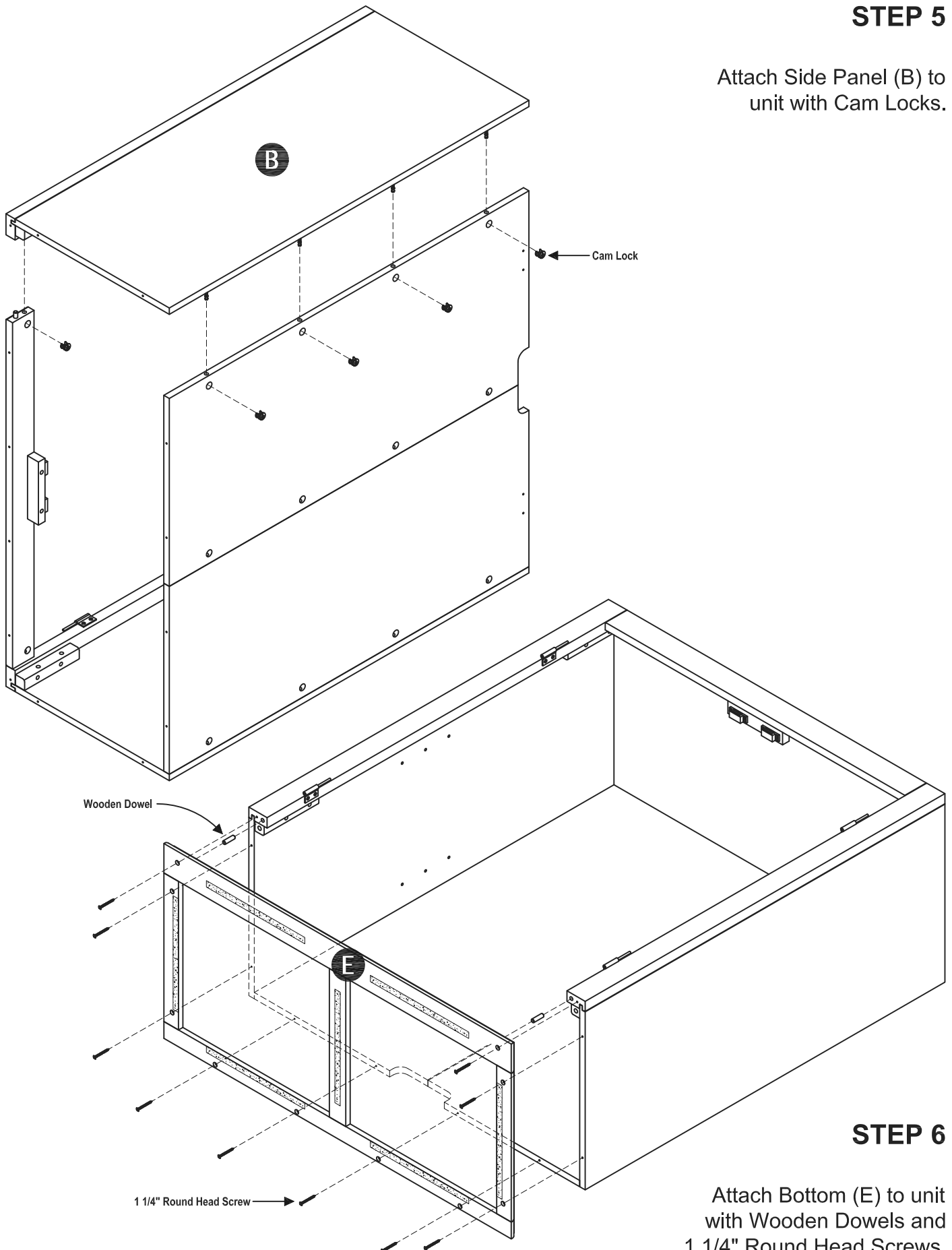
Attach unit and Front Piece (D) to Side Panel (C) with Cam Locks.

**Note :** To help prevent the back panel unit from cracking, use two people to assemble.



**STEP 5**

Attach Side Panel (B) to unit with Cam Locks.



**STEP 6**

Attach Bottom (E) to unit with Wooden Dowels and 1 1/4" Round Head Screws.

**STEP 7**

Attach Doors (I) and (J) by sliding the door lift hinges into the side panel lift hinges. (See Figure 3)

Attach Top (A) to unit with 1" Round Head Screws.

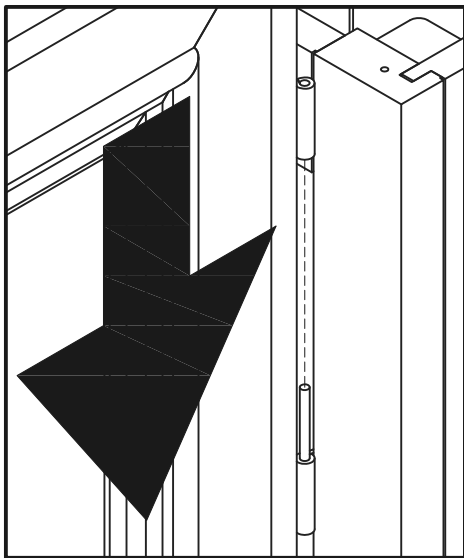


Figure 3

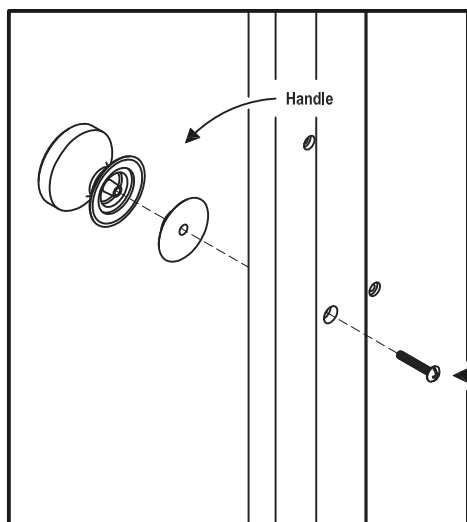
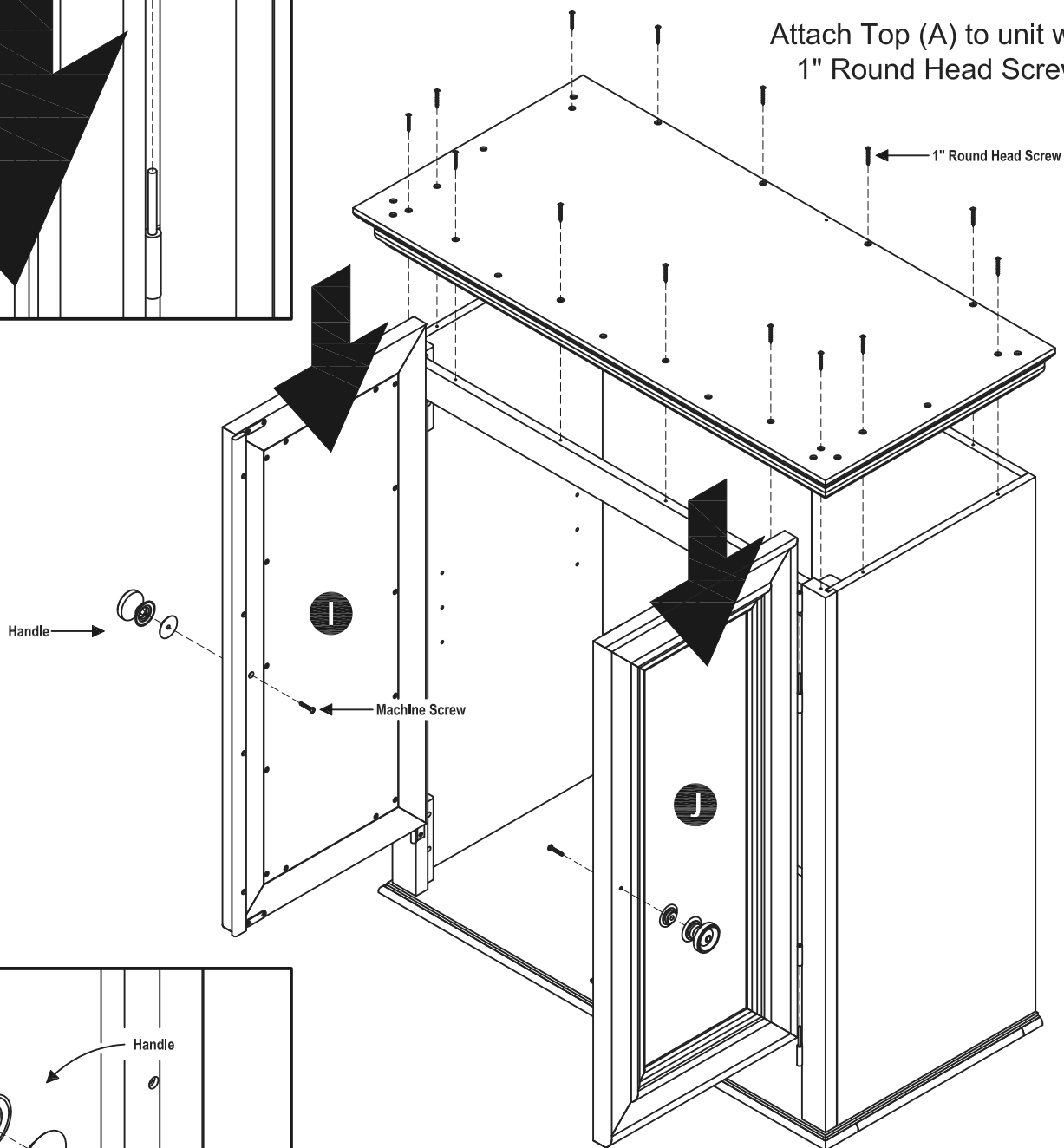


Figure 4

**STEP 8**

Attach Handles to Doors (I) and (J) with Machine Screws. (See Figure 4)

**STEP 9**

Insert Adjustable Pins into Side Panels at the desired level.  
(See Figure 5)

Place Shelf (H) into position.

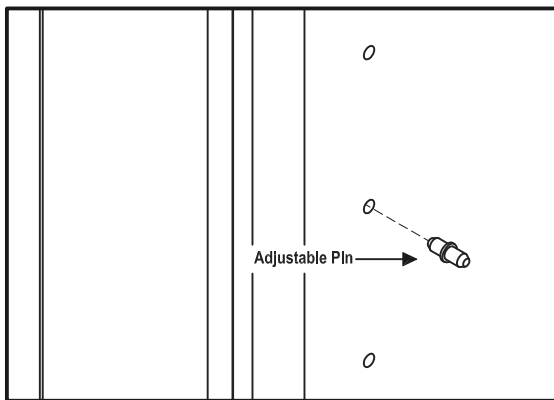
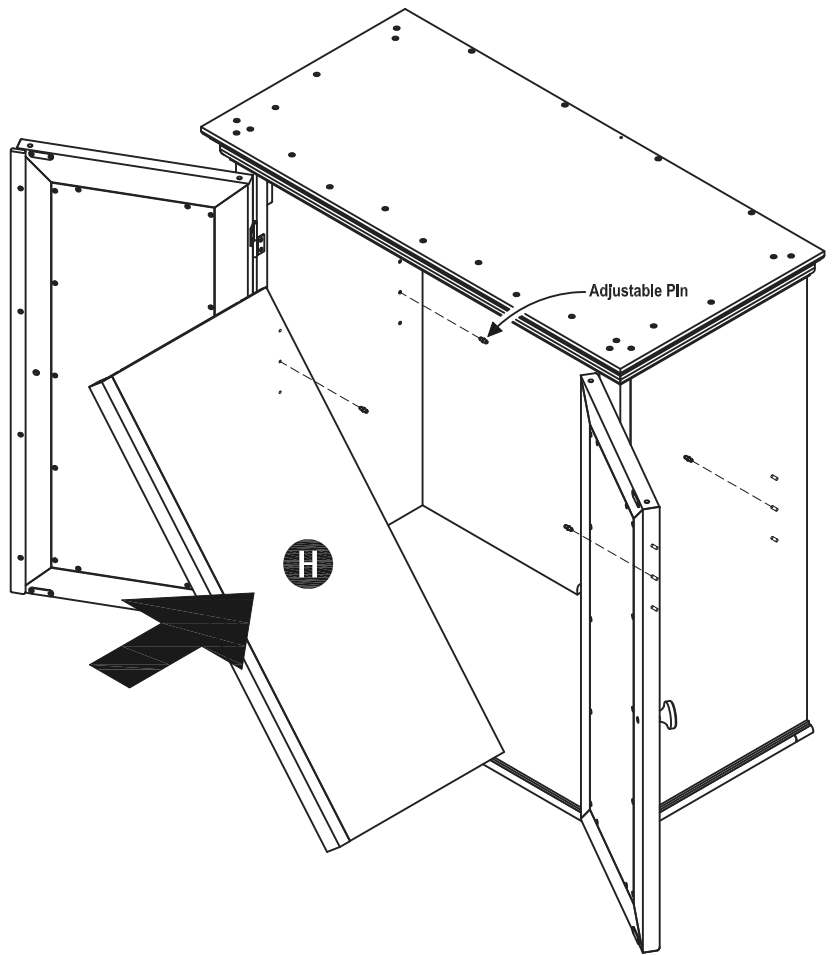


Figure 5



**STEP 10**

Place unit on Chest and attach Connectors using 5/8" Flat Head Screws to join the units.  
(See Figure 6)

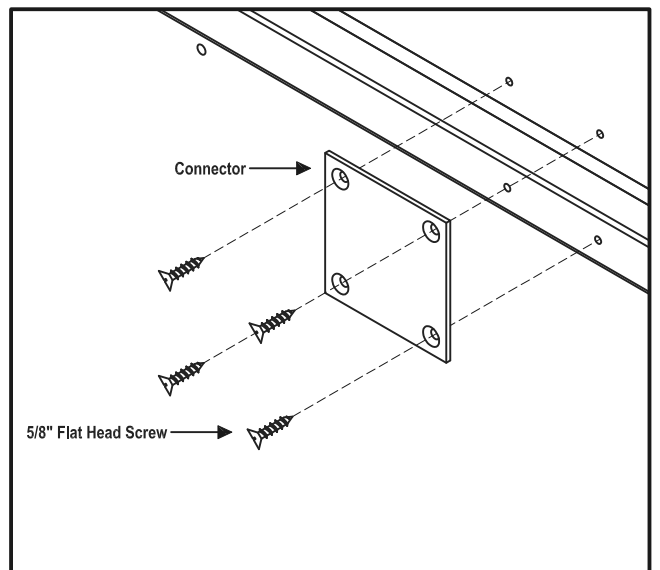
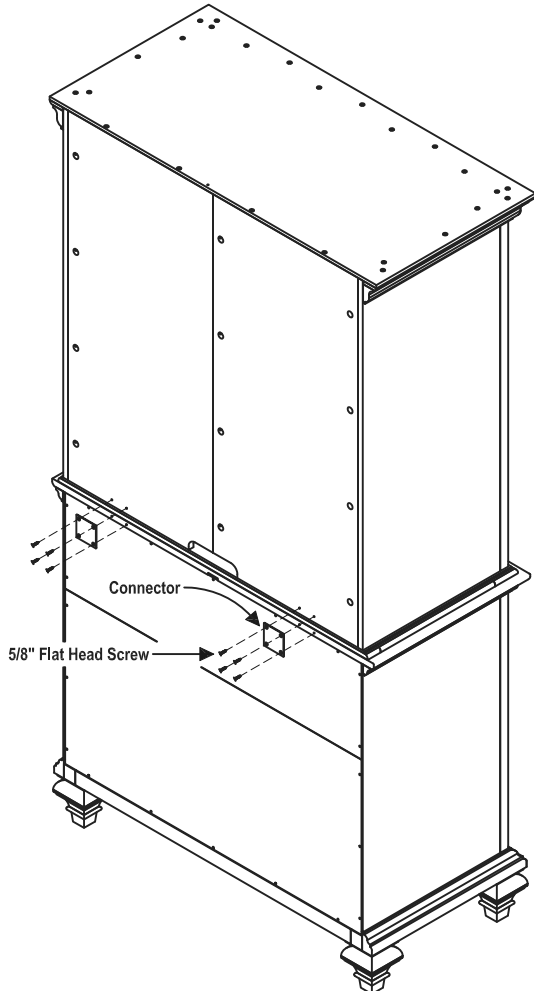


Figure 6

## ATTENTION!

For safety reasons, please follow these instructions to prevent the unit from tipping over.

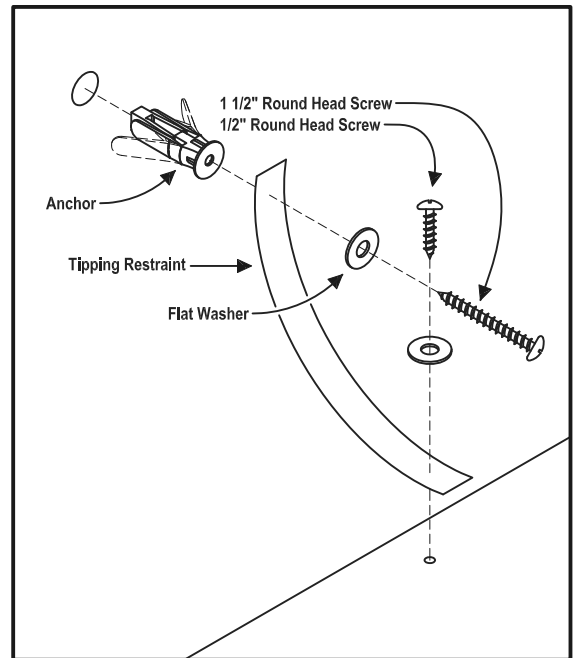
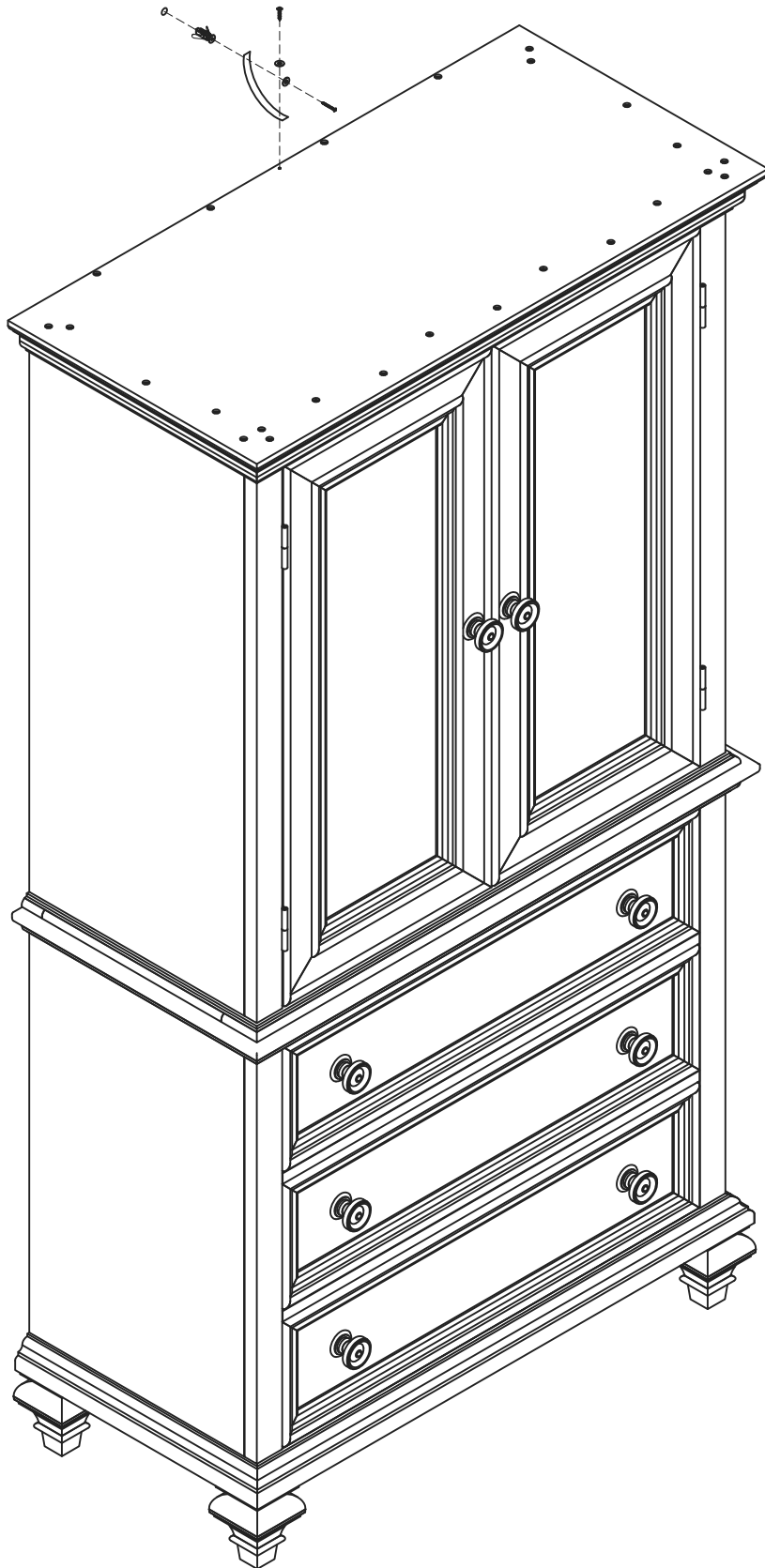


Figure 7

Place the cabinet at desired location in room.

Drill a 1/2" hole in wall at the appropriate location.

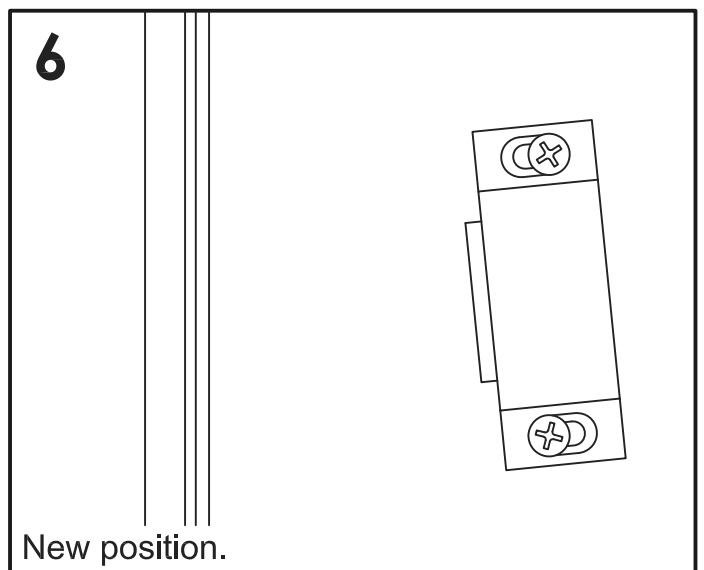
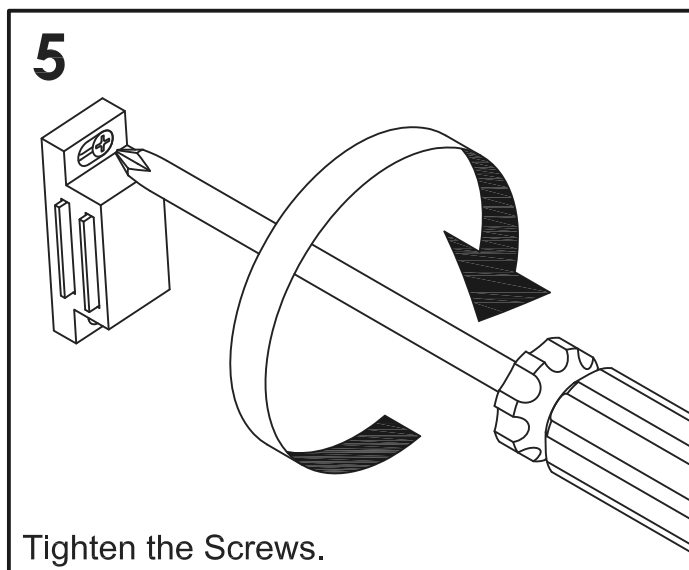
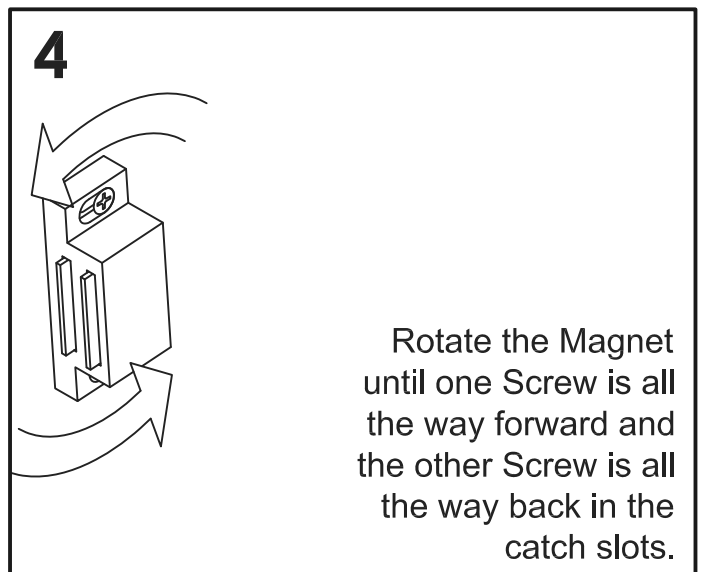
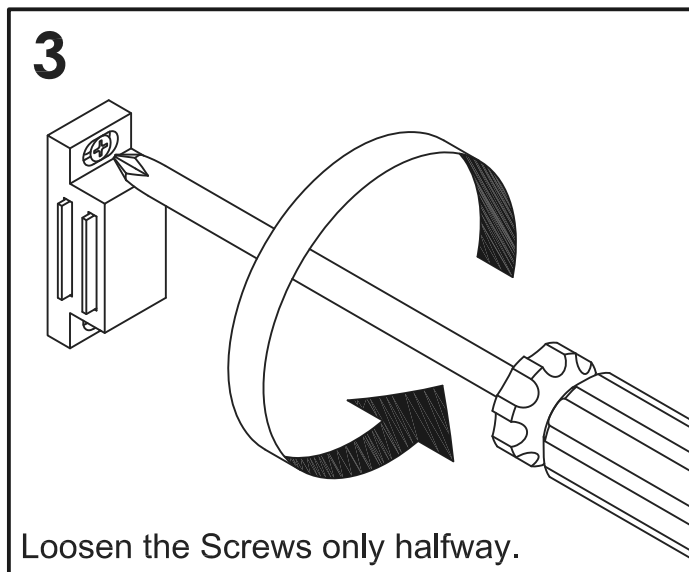
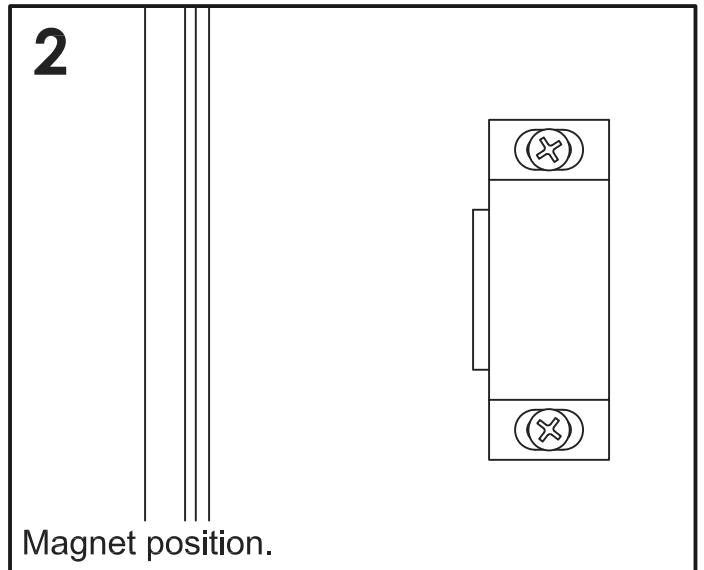
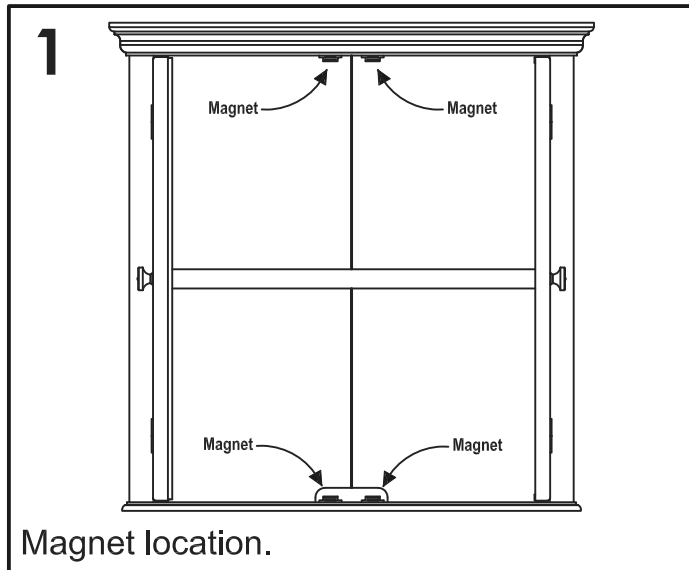
Insert the Anchor into the wall hole and attach Tipping Restraint to the wall using 1 1/2" Round Head Screw and Flat Washer.

Screw Tipping Restraint to unit using 1/2" Round Head Screw & Flat Washer. (See Figure 7)

## Assembly Instructions 8/8

### IMPORTANT NOTICE

\* If the magnetic door catches are too strong and the door difficult to open, the magnetic power can be reduced and the door made easier to open by doing the following:





# VERY IMPORTANT !!

## CARE INSTRUCTIONS

### NEVER

USE GLASS CLEANERS ON FINISHED FURNITURE. AMMONIA WILL CHEMICALLY ATTACK THE FINISH.

### NEVER

ALLOW LIQUIDS OF ANY KIND TO REMAIN ON THE FURNITURE. ABSORPTION CAUSES PART TO WARP AND SPLIT AND FINISHES TO DELAMINATE.

DO NOT WRITE DIRECTLY ON SURFACE.



**PREVENT MARKING**

DO NOT PLACE IN DIRECT SUNLIGHT.



**PREVENT FADING**

DO NOT USE COMMERCIAL WAXES AND POLISHES.



**PREVENT YELLOWING**

DO NOT PLACE HOT OBJECTS ON SURFACE.



**PREVENT FINISH DAMAGE**

DO NOT USE RUBBER BASED PLACE MATS.



**PREVENT DISCOLORING**

## TO CLEAN

USE A SOFT CLOTH MOISTENED IN LUKEWARM SOAP AND WATER, THEN BUFF WITH A DRY CLEAN CLOTH.

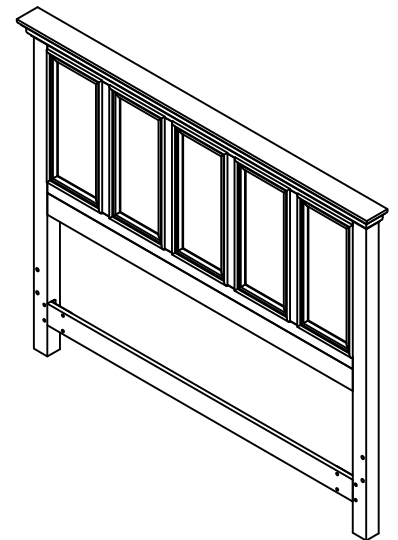


Home Styles will provide replacements free of charge for missing or damaged hardware or parts within 30 days of purchase. Digital images of the defective parts may be required. If this product was not purchased from an authorized retail affiliate, Home Styles is under no obligation to provide replacement parts. Parts are not available for fully assembled items nor are parts available for sale. Replacements for missing or damaged hardware or parts may be requested at:

[www.homestyles-furniture.com/customer\\_service](http://www.homestyles-furniture.com/customer_service)

**Home Styles Consumer Assistance:** [www.homestyles-furniture.com](http://www.homestyles-furniture.com),  
[servicedesk@homestyles-furniture.com](mailto:servicedesk@homestyles-furniture.com), 888-680-7460, 877-831-0319

# 88 5576 501 Queen Headboard



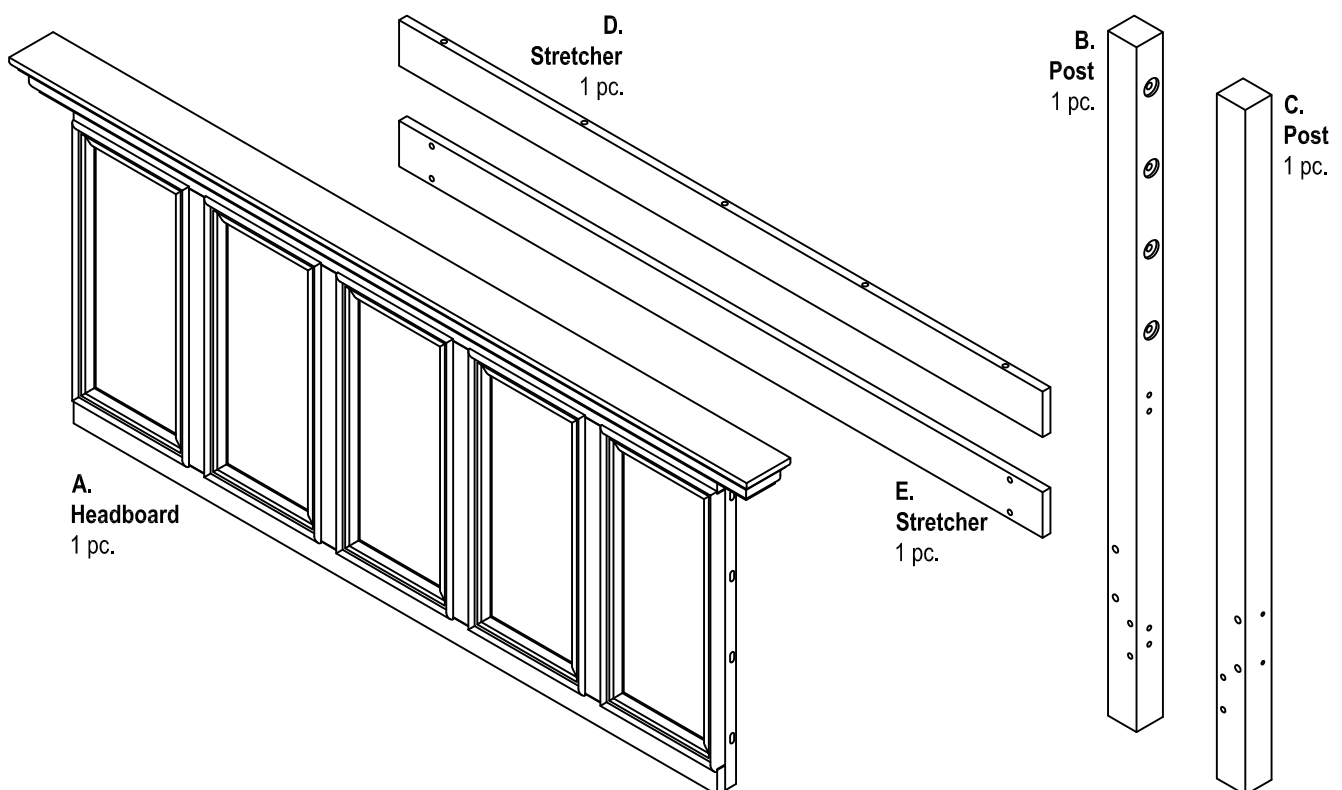
## IMPORTANT NOTE

Carefully remove all the parts from the carton and put them individually on a soft cloth to prevent scratches or other damages occurring to the parts.

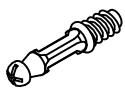
We have taken great care in the design of this product and request that you carefully and strictly follow our assembly instructions to ensure a completed product as it was designed.

*Home Styles*

## Part List



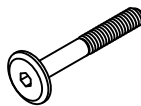
## Hardware List



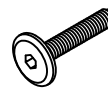
Cam Lock Screw  
5 pcs. (+1 extra)



Cam Lock  
5 pcs. (+1 extra)



(M6x50) Head Cap Bolt (Long)  
8 pcs. (+1 extra)



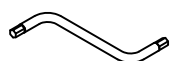
(M6x30) Head Cap Bolt (Short)  
8 pcs. (+1 extra)



Spring Washer  
16 pcs. (+1 extra)



Flat Washer  
16 pcs. (+1 extra)



Key Wrench  
1 pc.



Small Key Wrench  
1 pc.



5/8" Flat Head Screw (M4x16)  
20 pcs. (+1 extra)



Angle Brace  
4 pcs.

Tools Required For Assembly : Phillips screwdriver

**Home Styles Consumer Assistance:** [www.homestyles-furniture.com](http://www.homestyles-furniture.com),  
[servicedesk@homestyles-furniture.com](mailto:servicedesk@homestyles-furniture.com), 888-680-7460, 877-831-0319

## IMPORTANT

- \* Do not tighten up all the bolts until each part is properly assembled.
- \* You should keep Key Wrench in a safe place as you may need to tighten up the bolts in the future.
- \* Use a soft cloth between these parts and the floor.

## STEP 1

Attach Angle Braces to Stretchers (D) and (E) with 5/8" Flat Head Screws.  
(See Figure 1)

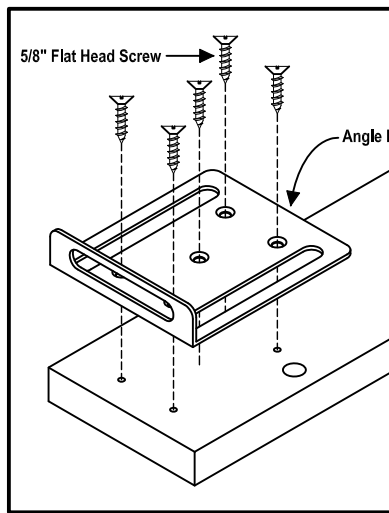
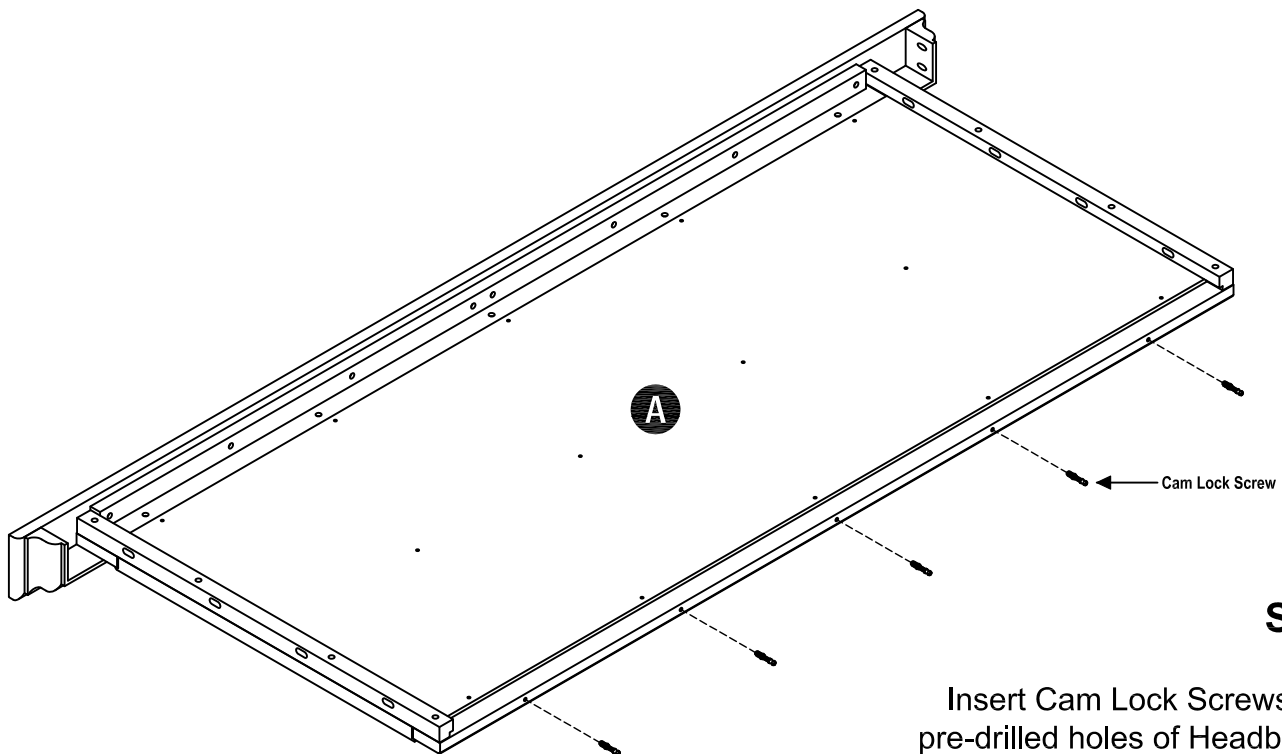
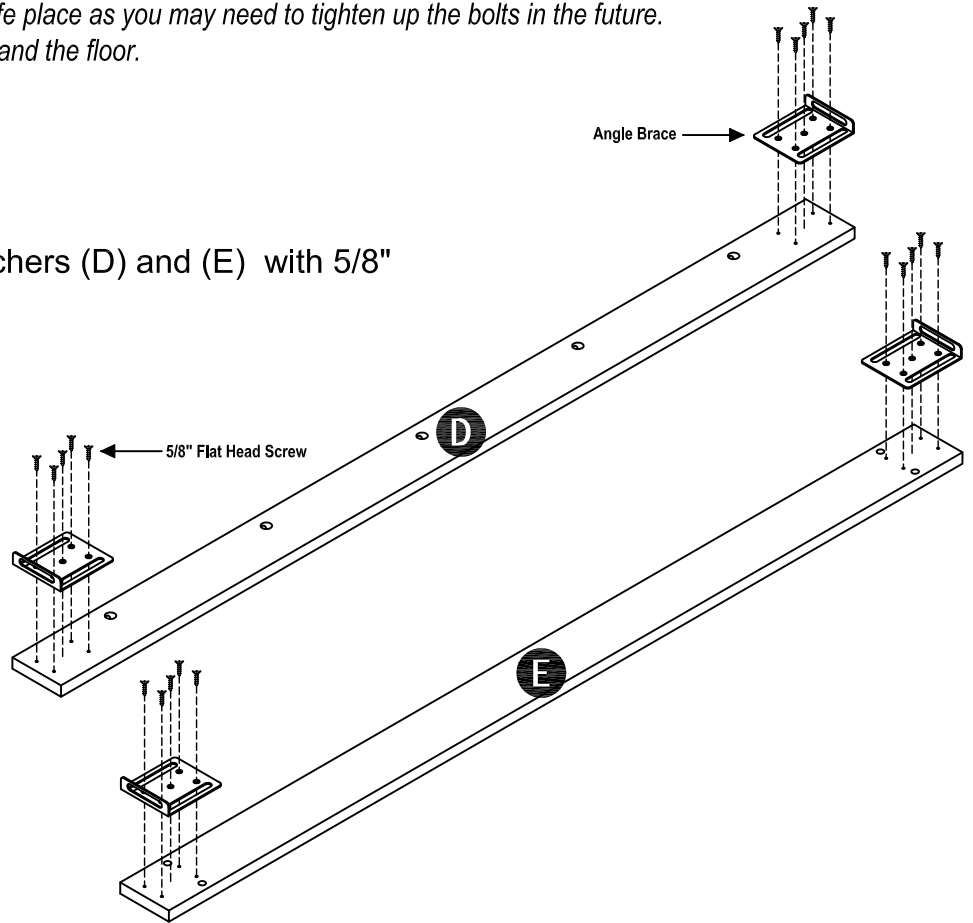


Figure 1



## STEP 2

Insert Cam Lock Screws into the pre-drilled holes of Headboard (A).

## STEP 3

Attach Stretcher (D) to Headboard (A) with Cam Locks.  
(See Figure 2)

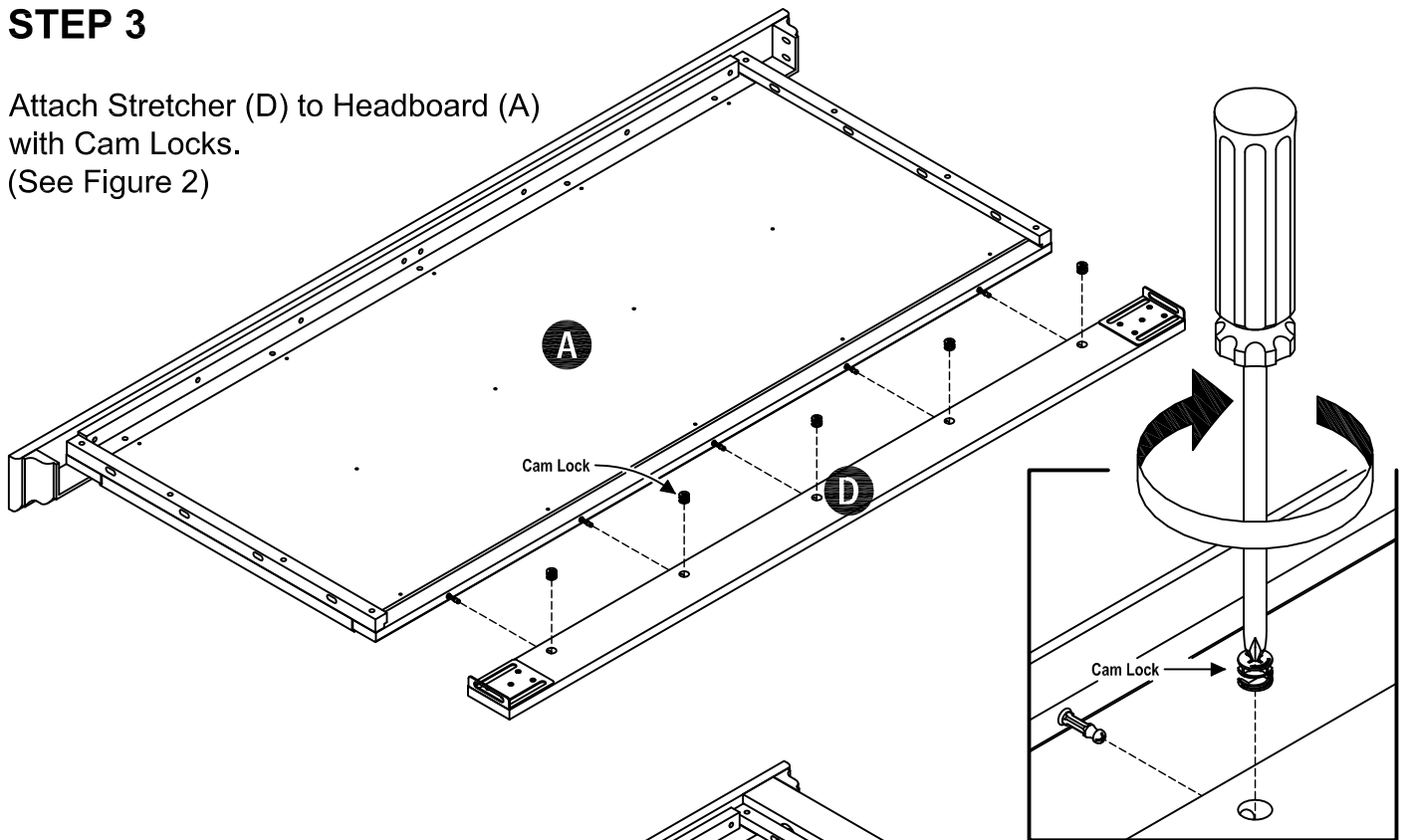
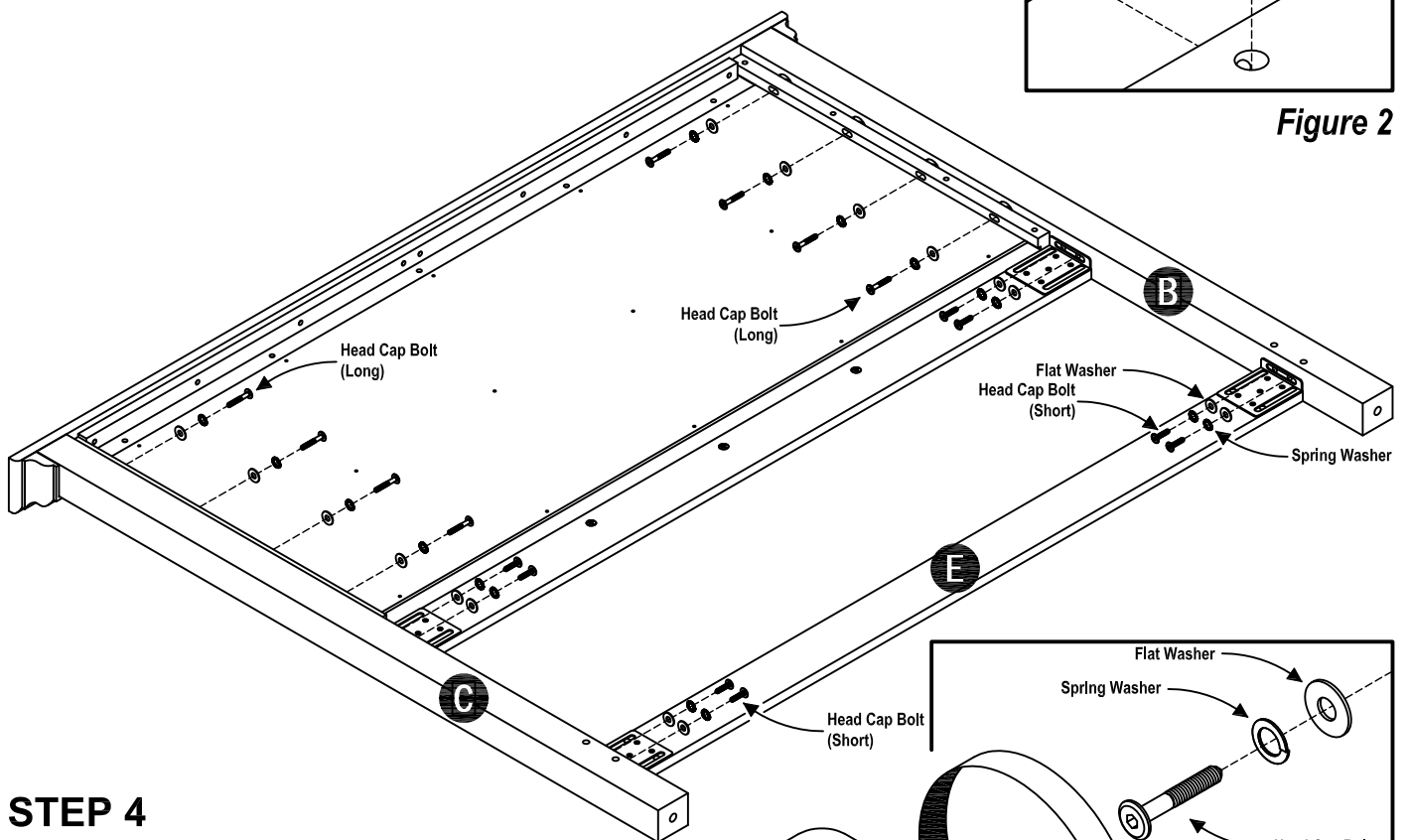


Figure 2



## STEP 4

Attach the unit and Stretcher (E) to Posts (B) and (C) with Head Cap Bolts (Long) and (Short), Spring Washers and Flat Washers.

Tighten Head Cap Bolts with Key Wrench.  
(See Figure 3)

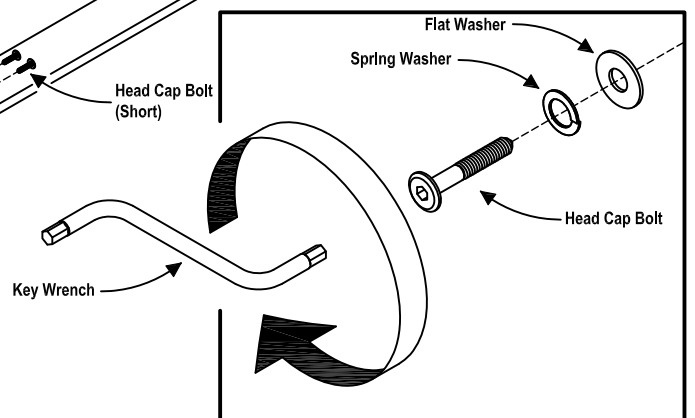


Figure 3

# VERY IMPORTANT !!

## CARE INSTRUCTIONS

### NEVER

USE GLASS CLEANERS ON FINISHED FURNITURE. AMMONIA WILL CHEMICALLY ATTACK THE FINISH.

### NEVER

ALLOW LIQUIDS OF ANY KIND TO REMAIN ON THE FURNITURE. ABSORPTION CAUSES PART TO WARP AND SPLIT AND FINISHES TO DELAMINATE.

DO NOT WRITE DIRECTLY ON SURFACE.



**PREVENT MARKING**

DO NOT PLACE IN DIRECT SUNLIGHT.



**PREVENT FADING**

DO NOT USE COMMERCIAL WAXES AND POLISHES.



**PREVENT YELLOWING**

DO NOT PLACE HOT OBJECTS ON SURFACE.



**PREVENT FINISH DAMAGE**

DO NOT USE RUBBER BASED PLACE MATS.



**PREVENT DISCOLORING**

## TO CLEAN

USE A SOFT CLOTH MOISTENED IN LUKEWARM SOAP AND WATER, THEN BUFF WITH A DRY CLEAN CLOTH.

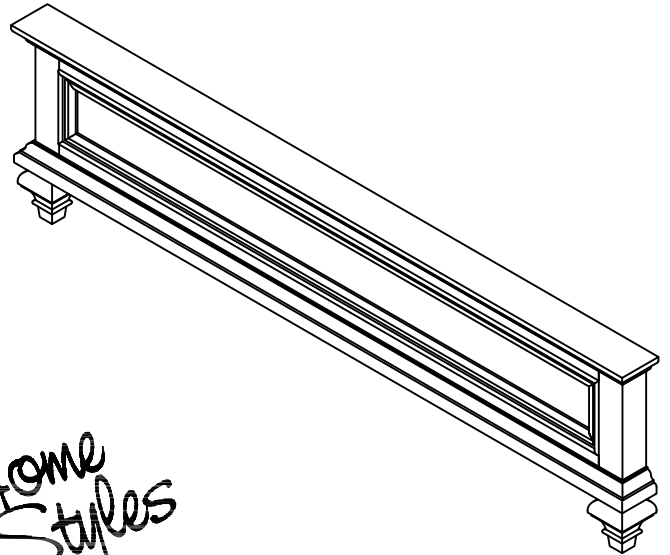


Home Styles will provide replacements free of charge for missing or damaged hardware or parts within 30 days of purchase. Digital images of the defective parts may be required. If this product was not purchased from an authorized retail affiliate, Home Styles is under no obligation to provide replacement parts. Parts are not available for fully assembled items nor are parts available for sale. Replacements for missing or damaged hardware or parts may be requested at:

[www.homestyles-furniture.com/customer\\_service](http://www.homestyles-furniture.com/customer_service)

**Home Styles Consumer Assistance:** [www.homestyles-furniture.com](http://www.homestyles-furniture.com),  
[servicedesk@homestyles-furniture.com](mailto:servicedesk@homestyles-furniture.com), 888-680-7460, 877-831-0319

# 88 5576 502 Queen Footboard



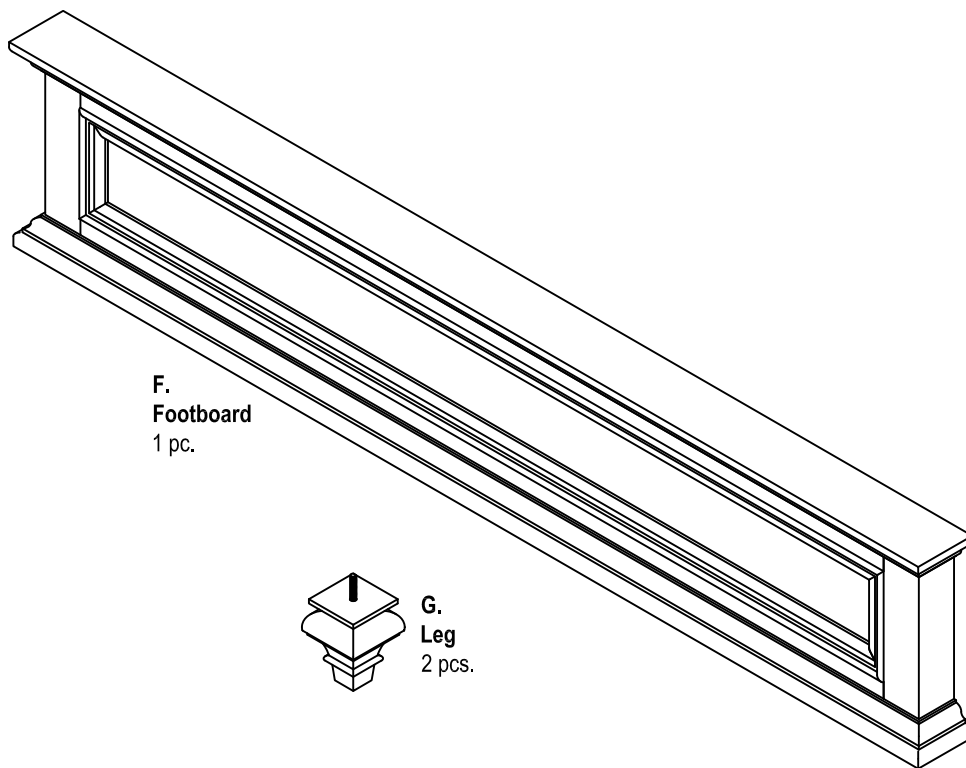
*Home  
Styles*

## IMPORTANT NOTE

Carefully remove all the parts from the carton and put them individually on a soft cloth to prevent scratches or other damages occurring to the parts.

We have taken great care in the design of this product and request that you carefully and strictly follow our assembly instructions to ensure a completed product as it was designed.

## Part List

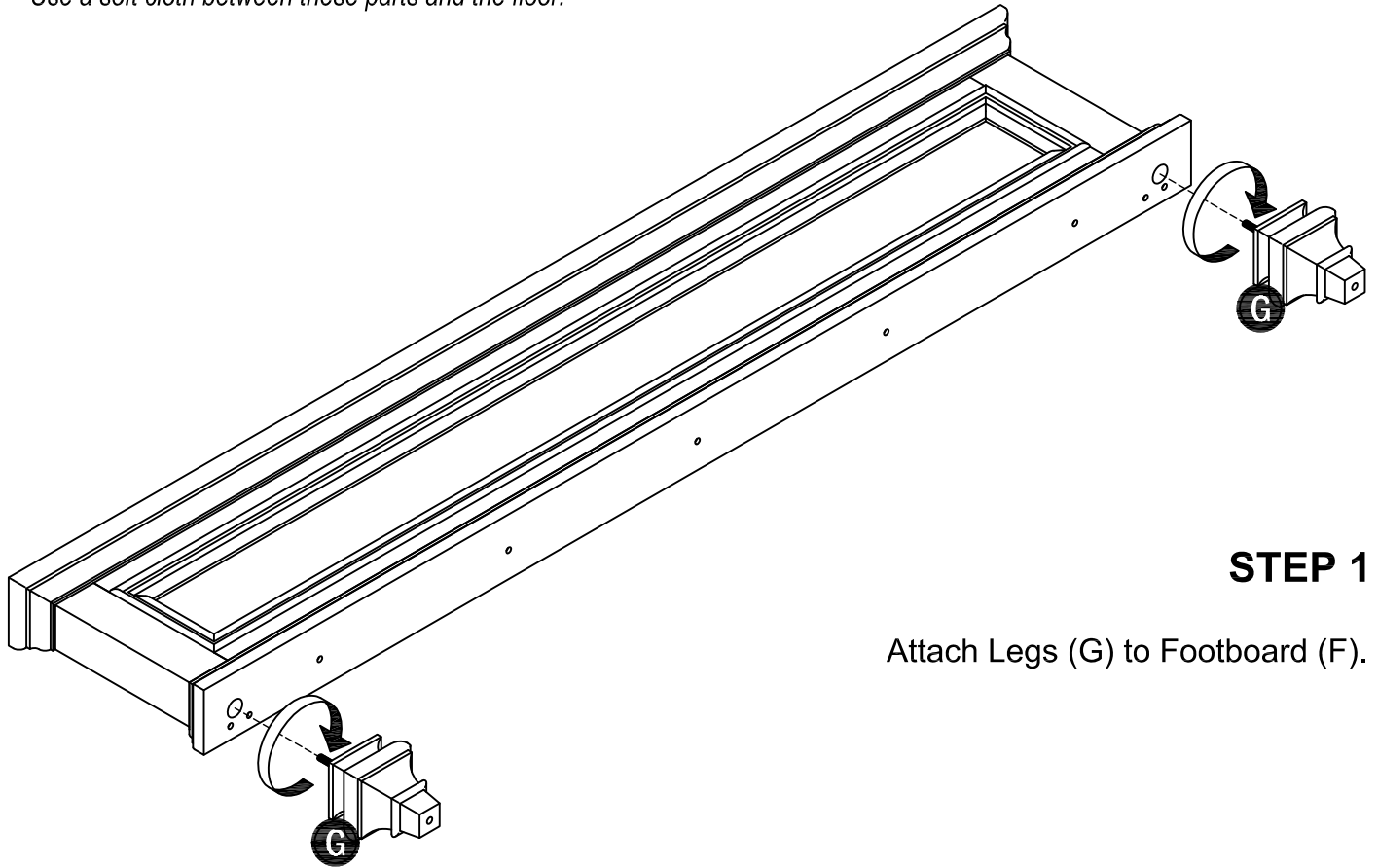


**Home Styles Consumer Assistance:** [www.homestyles-furniture.com](http://www.homestyles-furniture.com),  
[servicedesk@homestyles-furniture.com](mailto:servicedesk@homestyles-furniture.com), 888-680-7460, 877-831-0319

## Assembly Instructions 2/2

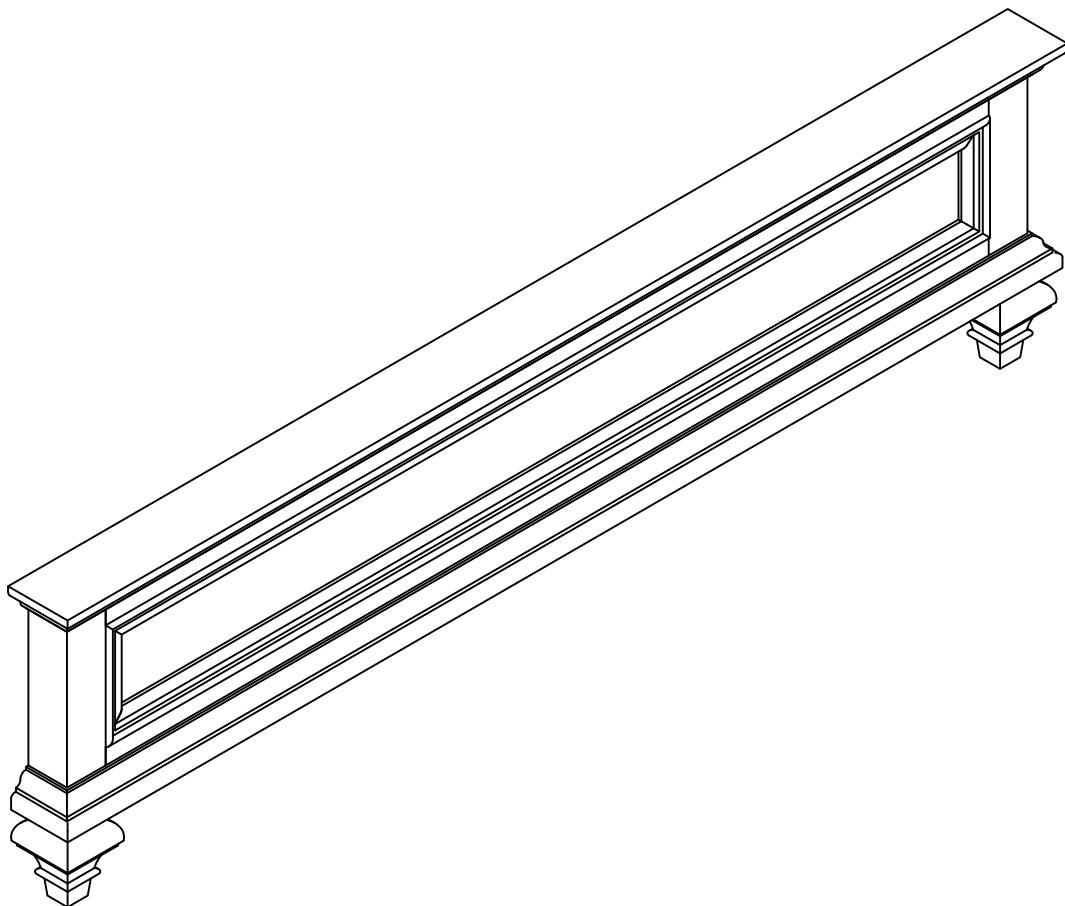
**IMPORTANT**

\* Use a soft cloth between these parts and the floor.



### STEP 1

Attach Legs (G) to Footboard (F).



# VERY IMPORTANT !!

## CARE INSTRUCTIONS

### NEVER

USE GLASS CLEANERS ON FINISHED FURNITURE. AMMONIA WILL CHEMICALLY ATTACK THE FINISH.

### NEVER

ALLOW LIQUIDS OF ANY KIND TO REMAIN ON THE FURNITURE. ABSORPTION CAUSES PART TO WARP AND SPLIT AND FINISHES TO DELAMINATE.

DO NOT WRITE DIRECTLY ON SURFACE.



**PREVENT MARKING**

DO NOT PLACE IN DIRECT SUNLIGHT.



**PREVENT FADING**

DO NOT USE COMMERCIAL WAXES AND POLISHES.



**PREVENT YELLOWING**

DO NOT PLACE HOT OBJECTS ON SURFACE.



**PREVENT FINISH DAMAGE**

DO NOT USE RUBBER BASED PLACE MATS.



**PREVENT DISCOLORING**

## TO CLEAN

USE A SOFT CLOTH MOISTENED IN LUKEWARM SOAP AND WATER, THEN BUFF WITH A DRY CLEAN CLOTH.



Home Styles will provide replacements free of charge for missing or damaged hardware or parts within 30 days of purchase. Digital images of the defective parts may be required. If this product was not purchased from an authorized retail affiliate, Home Styles is under no obligation to provide replacement parts. Parts are not available for fully assembled items nor are parts available for sale. Replacements for missing or damaged hardware or parts may be requested at:

[www.homestyles-furniture.com/customer\\_service](http://www.homestyles-furniture.com/customer_service)

**Home Styles Consumer Assistance:** [www.homestyles-furniture.com](http://www.homestyles-furniture.com),  
[servicedesk@homestyles-furniture.com](mailto:servicedesk@homestyles-furniture.com), 888-680-7460, 877-831-0319



# 88 5576 503

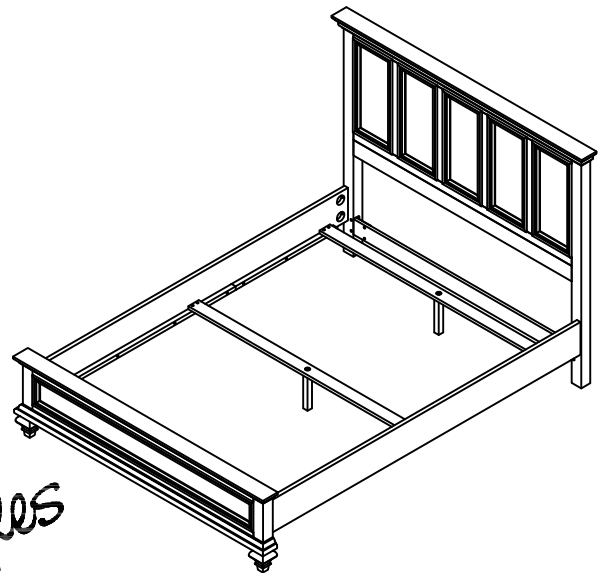
## Queen Bed Rails with Slats

### IMPORTANT NOTE

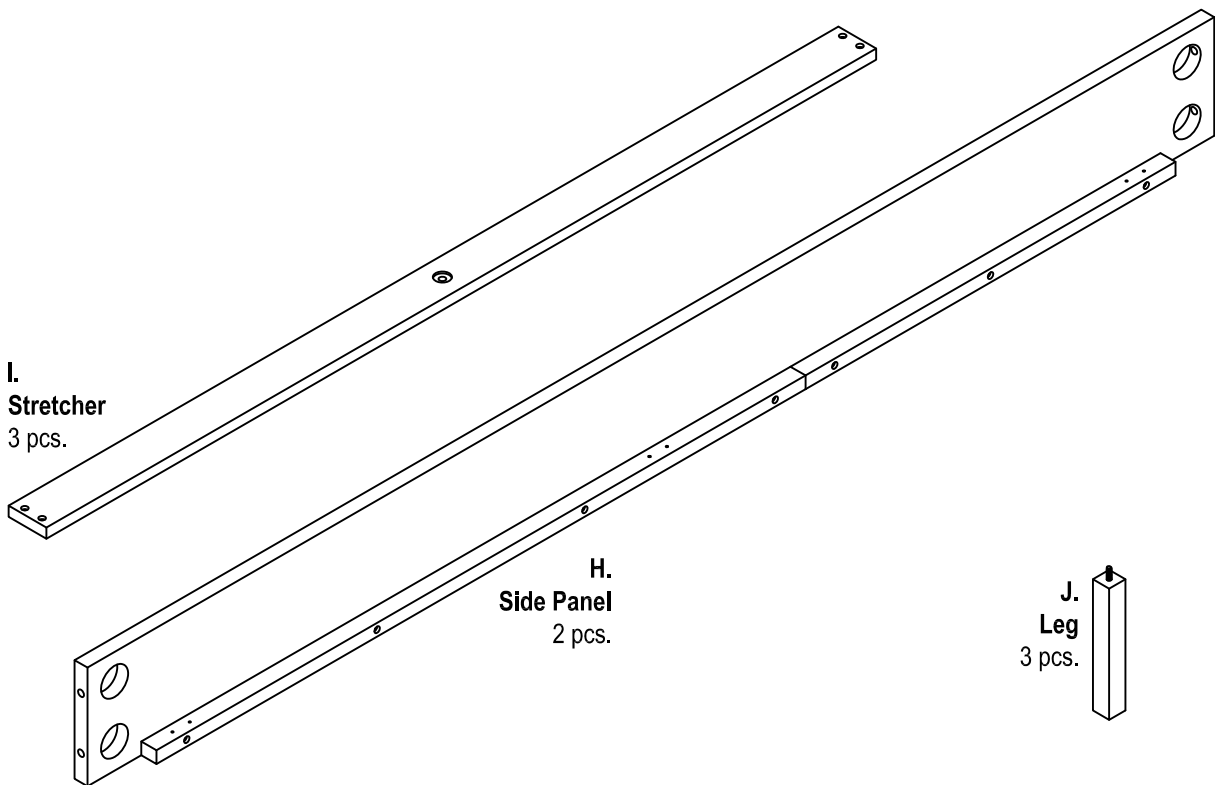
Carefully remove all the parts from the carton and put them individually on a soft cloth to prevent scratches or other damages occurring to the parts.

We have taken great care in the design of this product and request that you carefully and strictly follow our assembly instructions to ensure a completed product as it was designed.

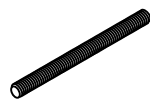
*Home Styles*



## Part List



## Hardware List



**Bolt (5/16"x3 1/8")**  
8 pcs. (+1 extra)



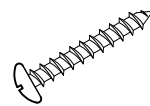
**Square Washer**  
8 pcs. (+1 extra)



**Nut**  
8 pcs. (+1 extra)



**Wrench**  
1 pc.



**Wood Screw (M4x25)**  
12 pcs. (+1 extra)

Also need the Parts and Hardware in carton  
88 5576 501 and 88 5576 502

Tools Required For Assembly : Phillips screwdriver

Tools Recommended For Assembly : Level

**Home Styles Consumer Assistance:** [www.homestyles-furniture.com](http://www.homestyles-furniture.com),  
[servicedesk@homestyles-furniture.com](mailto:servicedesk@homestyles-furniture.com), 888-680-7460, 877-831-0319

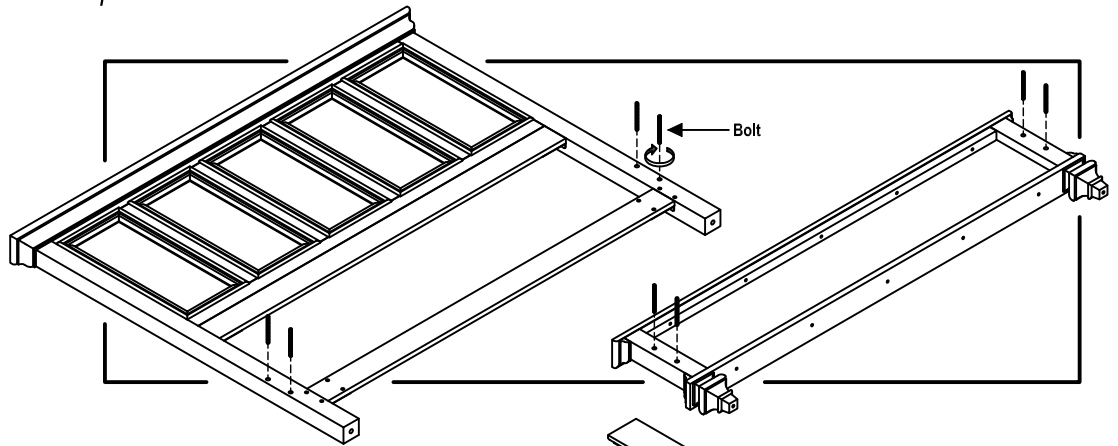
# Assembly Instructions 2/2

## IMPORTANT

- \* Do not tighten up all the bolts & screws until each part is properly assembled.
- \* You should keep Wrench in a safe place as you may need to tighten up the Nuts in the future.
- \* After assembly, item must be level to work properly. Use the included adjustable levellers to level.
- \* Use a soft cloth between these parts and the floor.

## STEP 1

Insert Bolts into the pre-drilled holes of Headboard and Footboard.



## STEP 2

Assemble Side Panels (H) to Headboard and Footboard using Square Washers and Nuts. Tighten all the Bolts with Wrench. (See Figure 1)

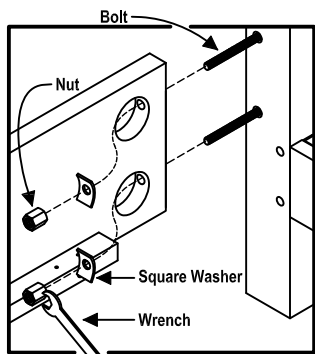
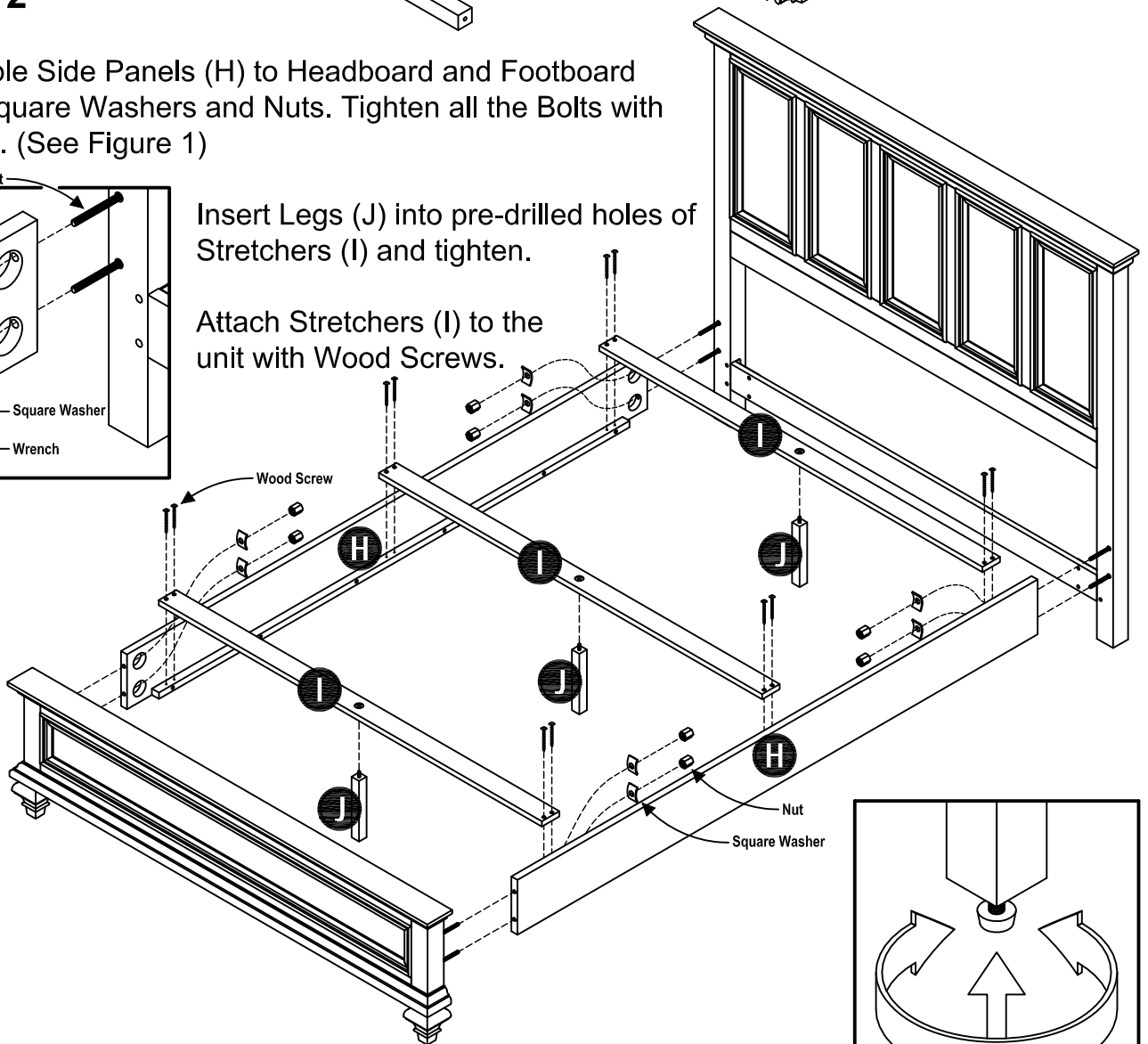


Figure 1

Insert Legs (J) into pre-drilled holes of Stretchers (I) and tighten.

Attach Stretchers (I) to the unit with Wood Screws.



## STEP 3

To level the unit, adjust the adjustable levelers on the bottom of legs.

**Note: Unit must be level to work properly.**

(See Figure 2)

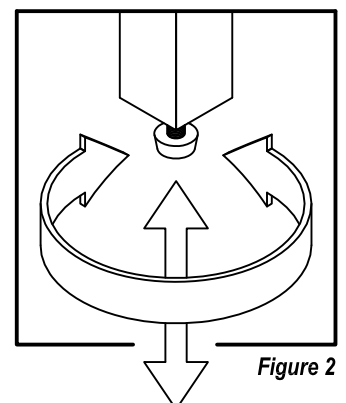


Figure 2

# VERY IMPORTANT !!

## CARE INSTRUCTIONS

### NEVER

USE GLASS CLEANERS ON FINISHED FURNITURE. AMMONIA WILL CHEMICALLY ATTACK THE FINISH.

### NEVER

ALLOW LIQUIDS OF ANY KIND TO REMAIN ON THE FURNITURE. ABSORPTION CAUSES PART TO WARP AND SPLIT AND FINISHES TO DELAMINATE.

DO NOT WRITE DIRECTLY ON SURFACE.



**PREVENT MARKING**

DO NOT PLACE IN DIRECT SUNLIGHT.



**PREVENT FADING**

DO NOT USE COMMERCIAL WAXES AND POLISHES.



**PREVENT YELLOWING**

DO NOT PLACE HOT OBJECTS ON SURFACE.



**PREVENT FINISH DAMAGE**

DO NOT USE RUBBER BASED PLACE MATS.



**PREVENT DISCOLORING**

## TO CLEAN

USE A SOFT CLOTH MOISTENED IN LUKEWARM SOAP AND WATER, THEN BUFF WITH A DRY CLEAN CLOTH.

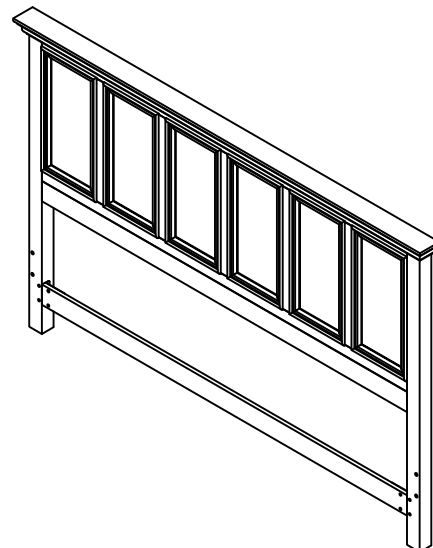


Home Styles will provide replacements free of charge for missing or damaged hardware or parts within 30 days of purchase. Digital images of the defective parts may be required. If this product was not purchased from an authorized retail affiliate, Home Styles is under no obligation to provide replacement parts. Parts are not available for fully assembled items nor are parts available for sale. Replacements for missing or damaged hardware or parts may be requested at:

[www.homestyles-furniture.com/customer\\_service](http://www.homestyles-furniture.com/customer_service)

**Home Styles Consumer Assistance:** [www.homestyles-furniture.com](http://www.homestyles-furniture.com),  
[servicedesk@homestyles-furniture.com](mailto:servicedesk@homestyles-furniture.com), 888-680-7460, 877-831-0319

# 88 5576 601 King Headboard



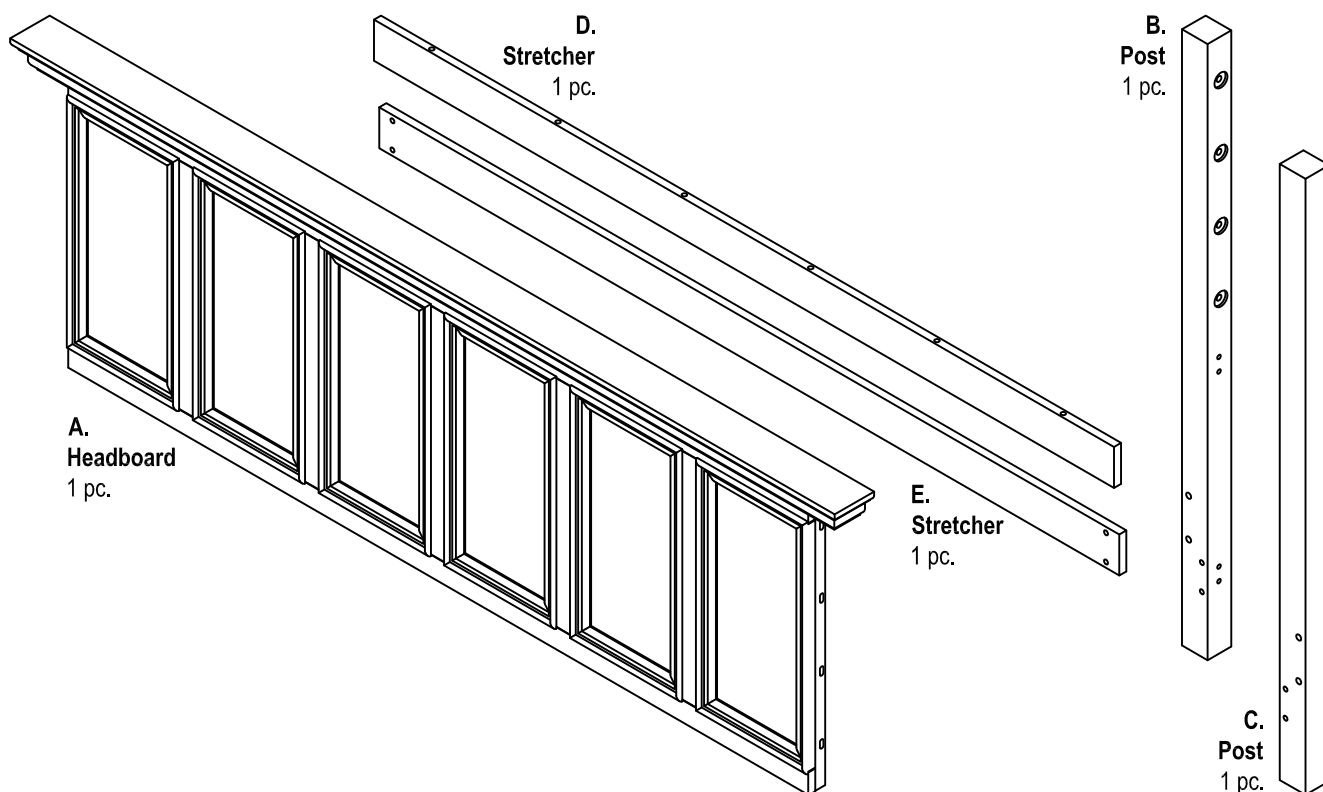
## IMPORTANT NOTE

Carefully remove all the parts from the carton and put them individually on a soft cloth to prevent scratches or other damages occurring to the parts.

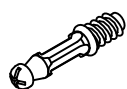
We have taken great care in the design of this product and request that you carefully and strictly follow our assembly instructions to ensure a completed product as it was designed.

*Home Styles*

## Part List



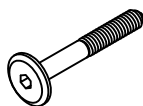
## Hardware List



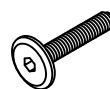
Cam Lock Screw  
6 pcs. (+1 extra)



Cam Lock  
6 pcs. (+1 extra)



(M6x50) Head Cap Bolt (Long)  
8 pcs. (+1 extra)



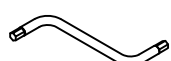
(M6x30) Head Cap Bolt (Short)  
8 pcs. (+1 extra)



Spring Washer  
16 pcs. (+1 extra)



Flat Washer  
16 pcs. (+1 extra)



Key Wrench  
1 pc.



Small Key Wrench  
1 pc.



5/8" Flat Head Screw (M4x16)  
20 pcs. (+1 extra)



Angle Brace  
4 pcs.

Tools Required For Assembly : Phillips screwdriver

**Home Styles Consumer Assistance:** [www.homestyles-furniture.com](http://www.homestyles-furniture.com),  
[servicedesk@homestyles-furniture.com](mailto:servicedesk@homestyles-furniture.com), 888-680-7460, 877-831-0319

## IMPORTANT

- \* Do not tighten up all the bolts until each part is properly assembled.
- \* You should keep Key Wrench in a safe place as you may need to tighten up the bolts in the future.
- \* Use a soft cloth between these parts and the floor.

## STEP 1

Attach Angle Braces to Stretchers (D) and (E) with 5/8" Flat Head Screws.  
(See Figure 1)

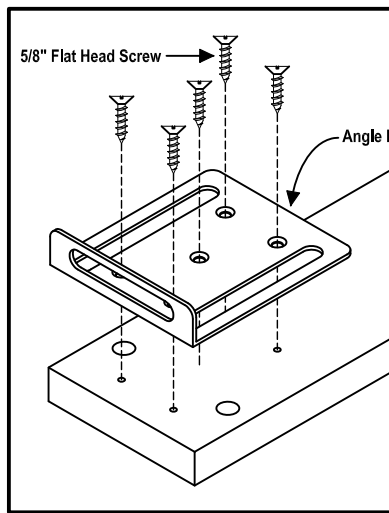
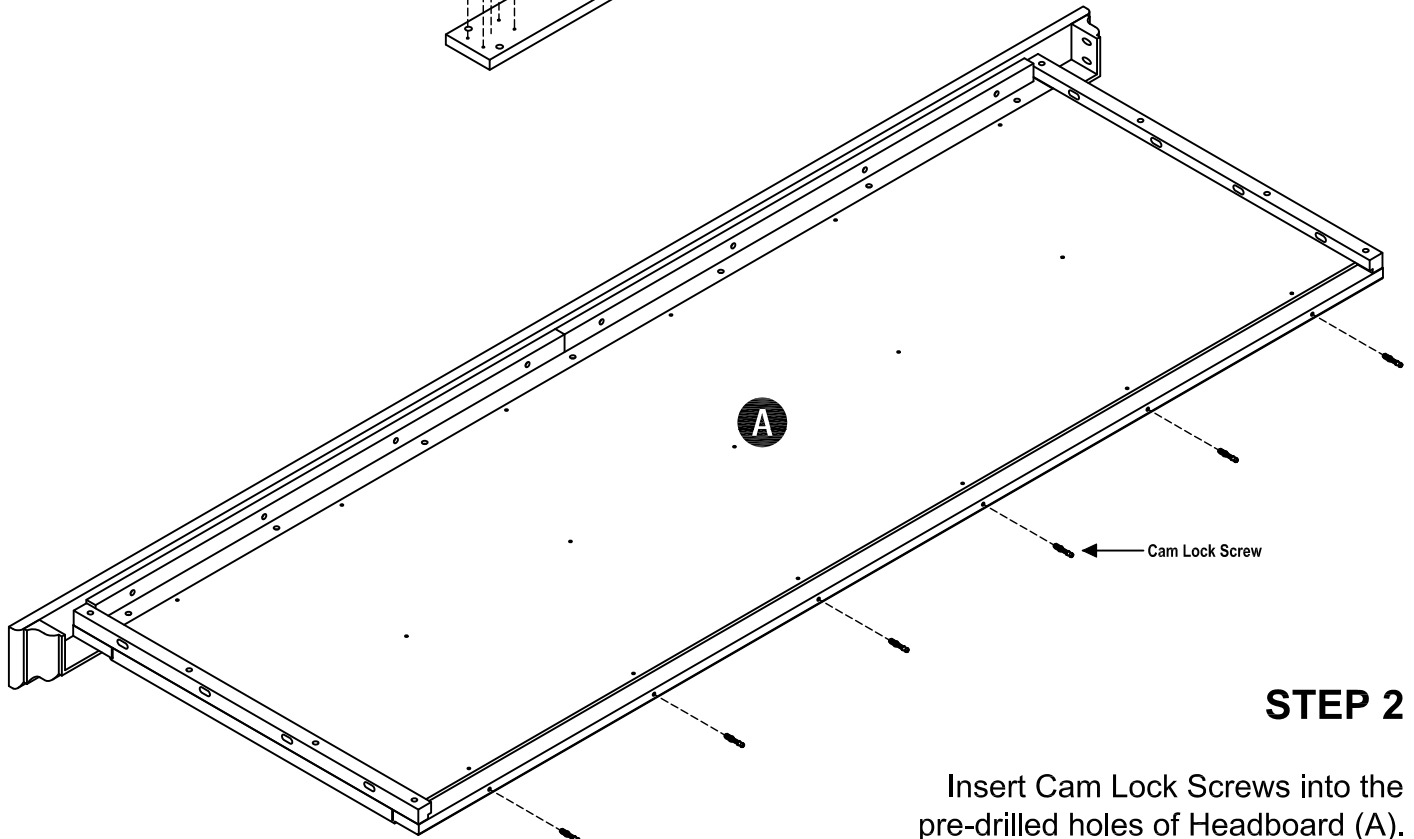
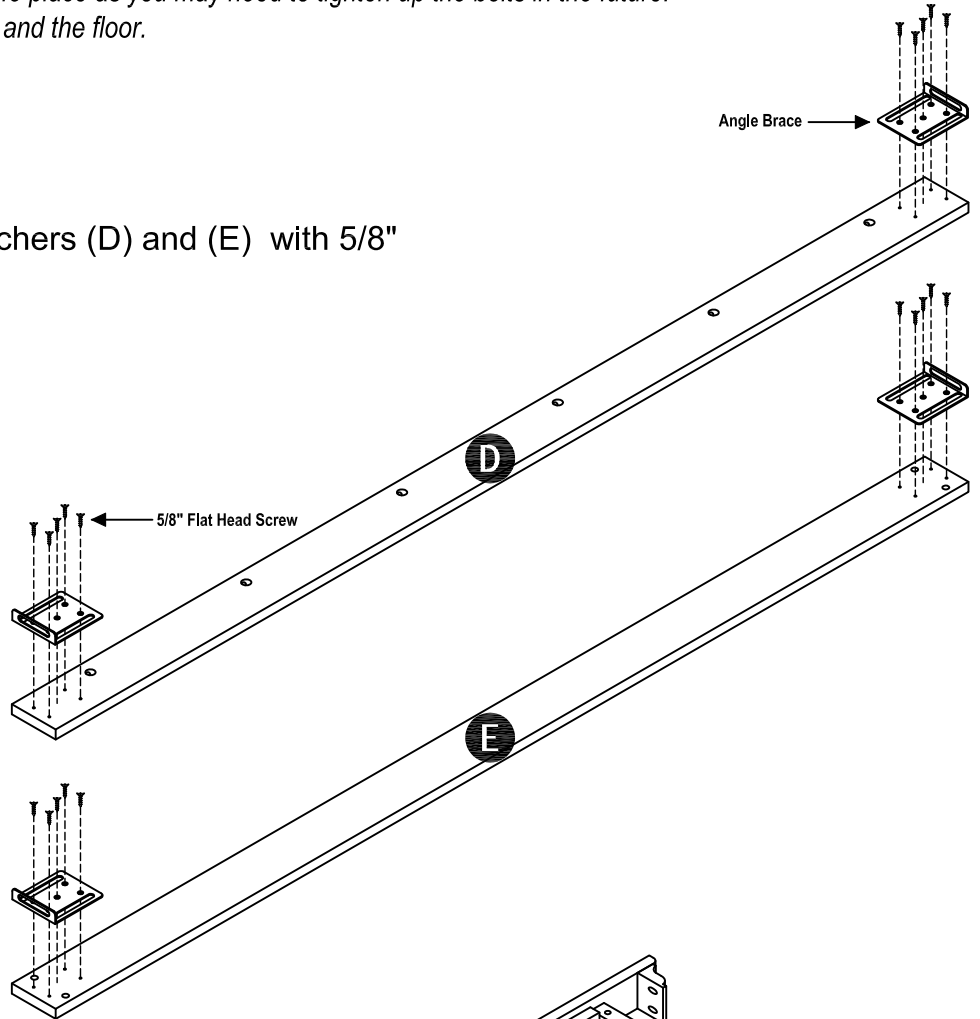


Figure 1



## STEP 2

Insert Cam Lock Screws into the pre-drilled holes of Headboard (A).

## STEP 3

Attach Stretcher (D) to Headboard (A) with Cam Locks.  
(See Figure 2)

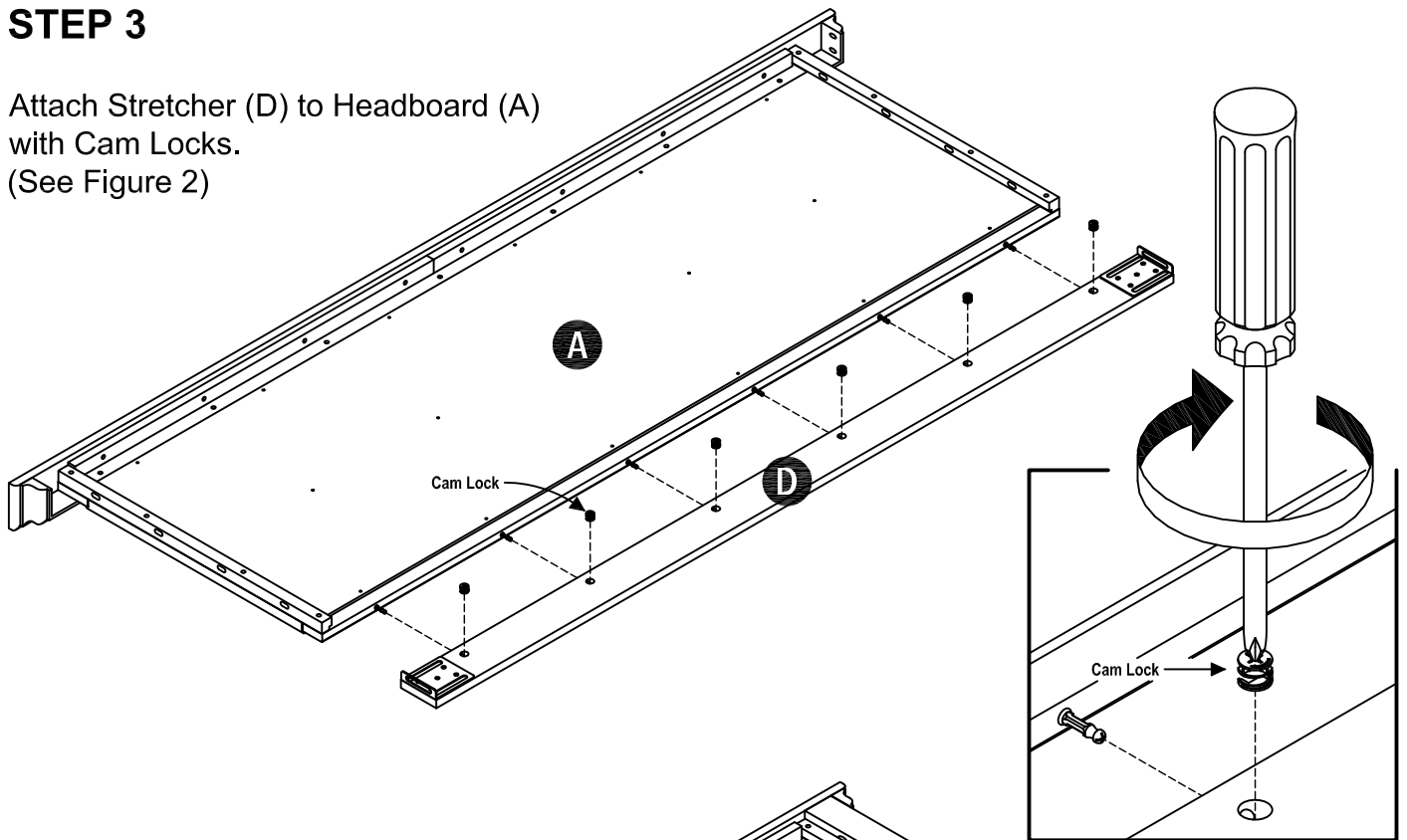
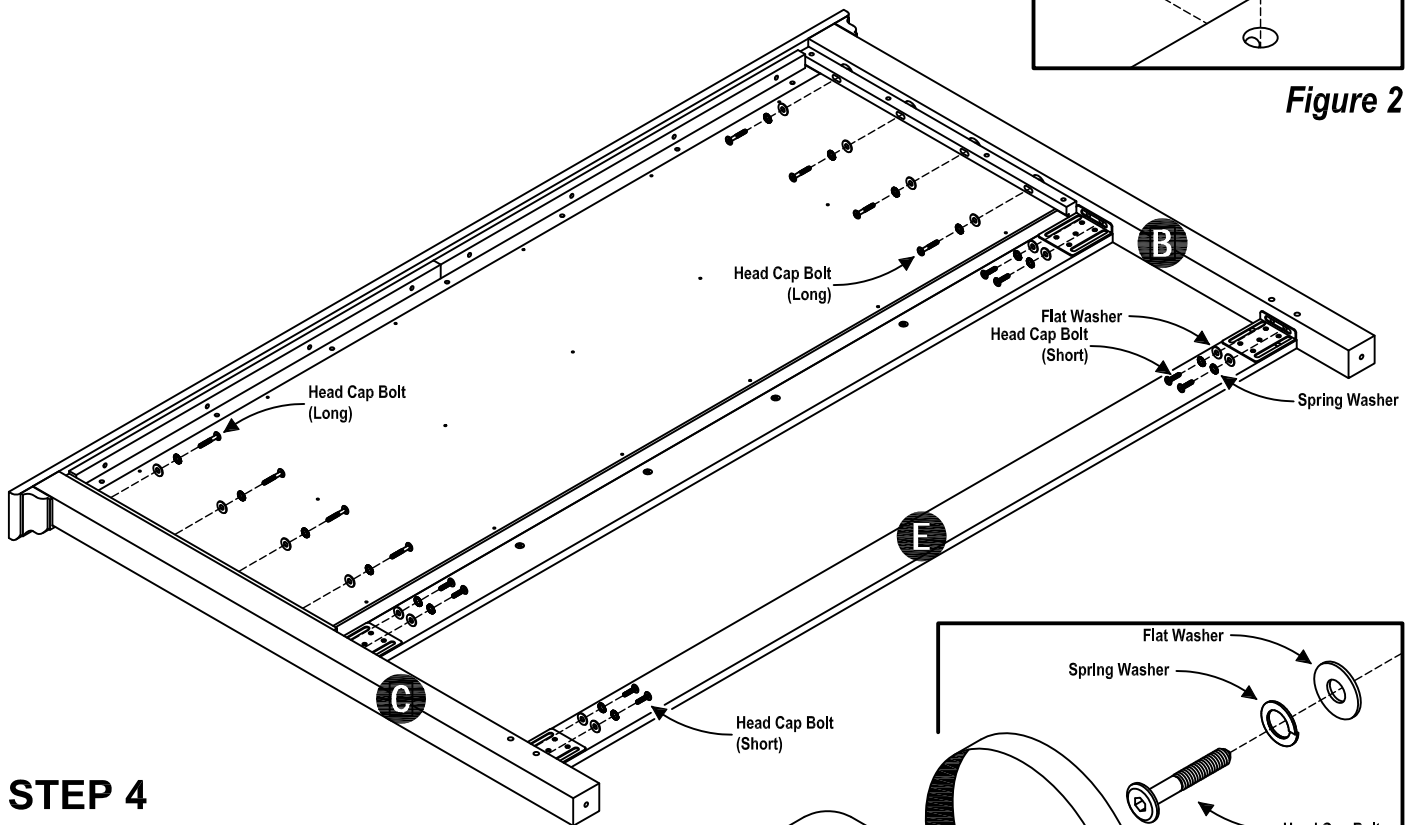


Figure 2



## STEP 4

Attach the unit and Stretcher (E) to Posts (B) and (C) with Head Cap Bolts (Long) and (Short), Spring Washers and Flat Washers.

Tighten Head Cap Bolts with Key Wrench.  
(See Figure 3)

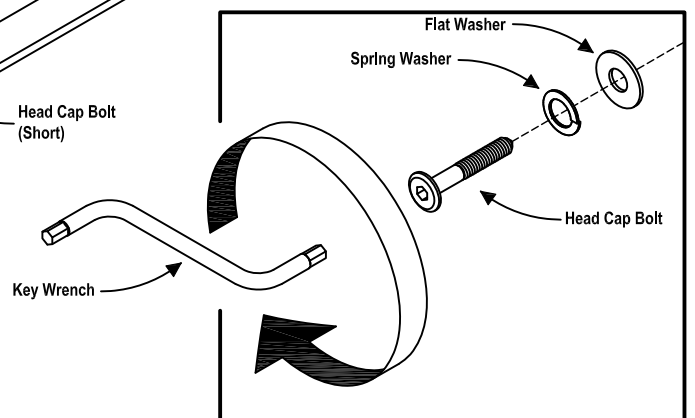


Figure 3

# VERY IMPORTANT !!

## CARE INSTRUCTIONS

### NEVER

USE GLASS CLEANERS ON FINISHED FURNITURE. AMMONIA WILL CHEMICALLY ATTACK THE FINISH.

### NEVER

ALLOW LIQUIDS OF ANY KIND TO REMAIN ON THE FURNITURE. ABSORPTION CAUSES PART TO WARP AND SPLIT AND FINISHES TO DELAMINATE.

DO NOT WRITE DIRECTLY ON SURFACE.



**PREVENT MARKING**

DO NOT PLACE IN DIRECT SUNLIGHT.



**PREVENT FADING**

DO NOT USE COMMERCIAL WAXES AND POLISHES.



**PREVENT YELLOWING**

DO NOT PLACE HOT OBJECTS ON SURFACE.



**PREVENT FINISH DAMAGE**

DO NOT USE RUBBER BASED PLACE MATS.



**PREVENT DISCOLORING**

## TO CLEAN

USE A SOFT CLOTH MOISTENED IN LUKEWARM SOAP AND WATER, THEN BUFF WITH A DRY CLEAN CLOTH.



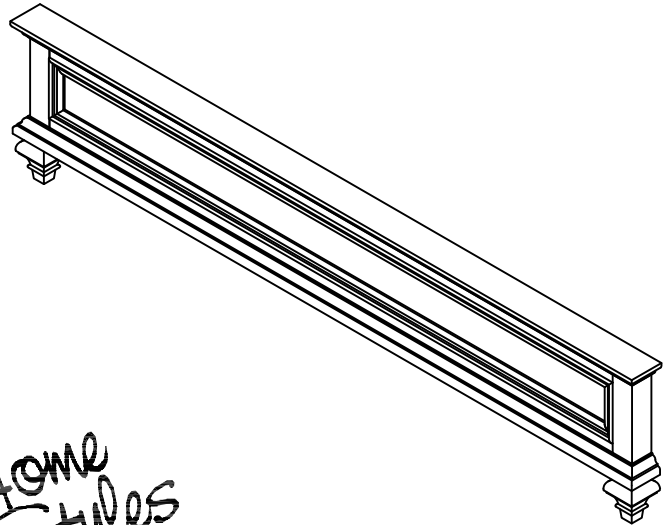
Home Styles will provide replacements free of charge for missing or damaged hardware or parts within 30 days of purchase. Digital images of the defective parts may be required. If this product was not purchased from an authorized retail affiliate, Home Styles is under no obligation to provide replacement parts. Parts are not available for fully assembled items nor are parts available for sale. Replacements for missing or damaged hardware or parts may be requested at:

[www.homestyles-furniture.com/customer\\_service](http://www.homestyles-furniture.com/customer_service)

**Home Styles Consumer Assistance:** [www.homestyles-furniture.com](http://www.homestyles-furniture.com),  
[servicedesk@homestyles-furniture.com](mailto:servicedesk@homestyles-furniture.com), 888-680-7460, 877-831-0319

# 88 5576 602

## King Footboard



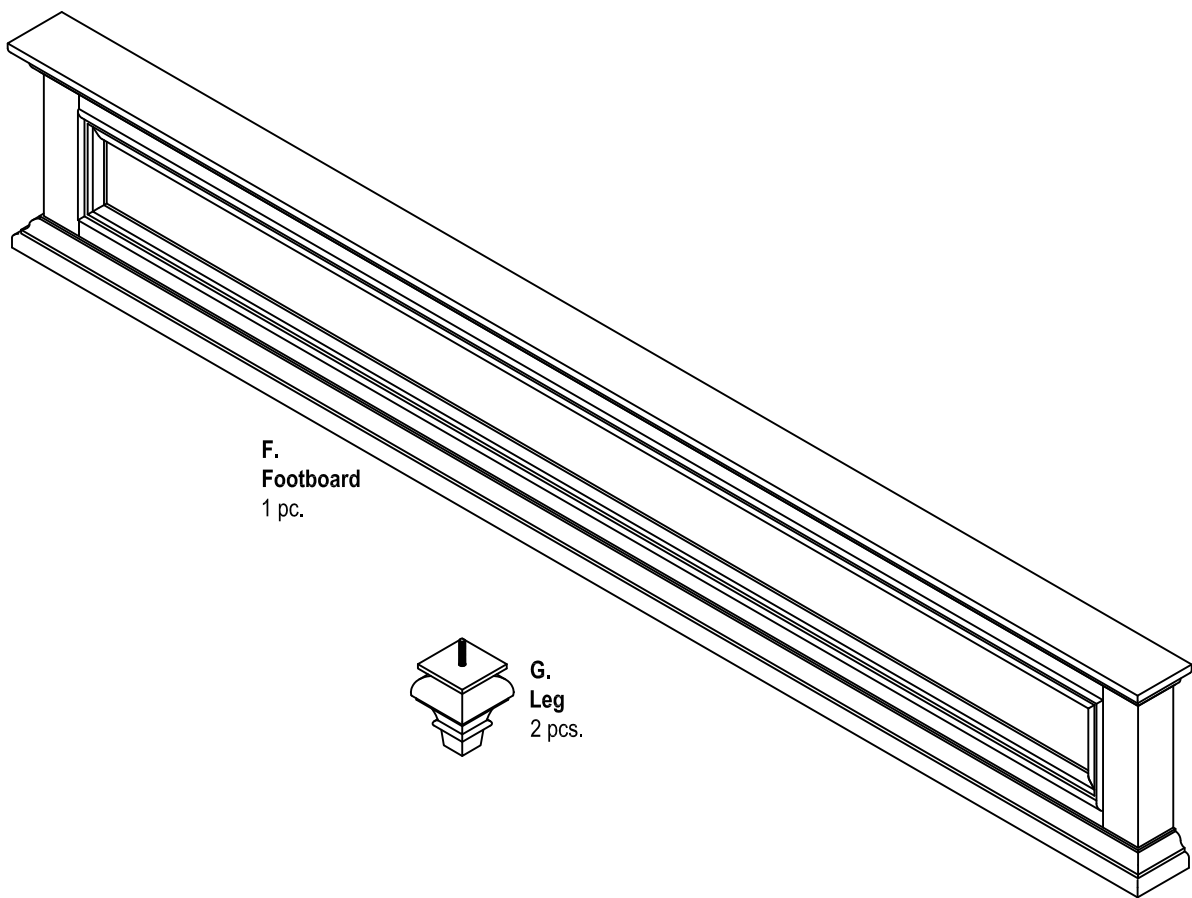
*Home  
Styles*

### IMPORTANT NOTE

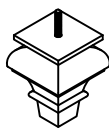
Carefully remove all the parts from the carton and put them individually on a soft cloth to prevent scratches or other damages occurring to the parts.

We have taken great care in the design of this product and request that you carefully and strictly follow our assembly instructions to ensure a completed product as it was designed.

## Part List



**F.**  
**Footboard**  
1 pc.



**G.**  
**Leg**  
2 pcs.

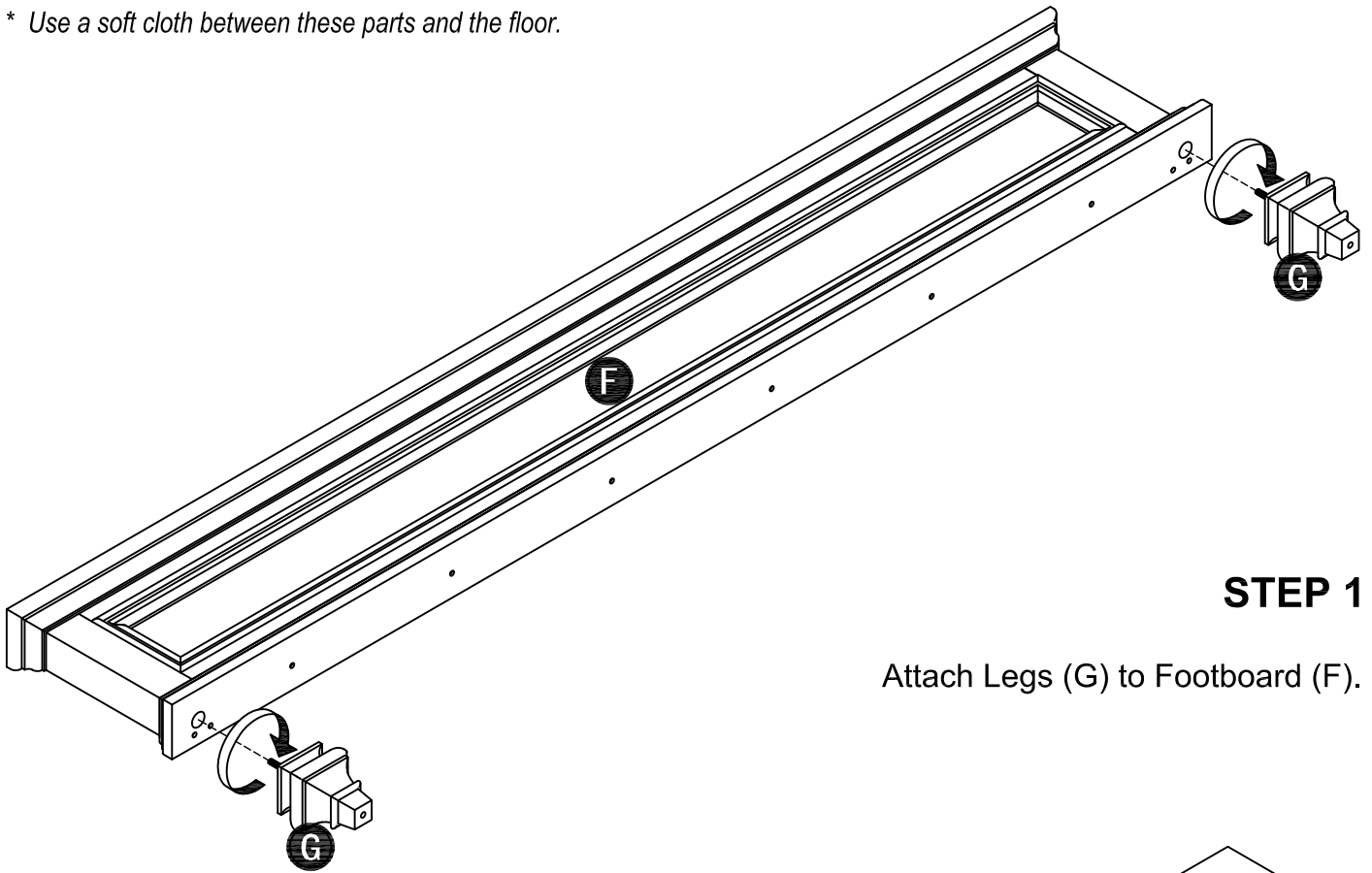
**Home Styles Consumer Assistance:** [www.homestyles-furniture.com](http://www.homestyles-furniture.com),  
[servicedesk@homestyles-furniture.com](mailto:servicedesk@homestyles-furniture.com), 888-680-7460, 877-831-0319



## Assembly Instructions 2/2

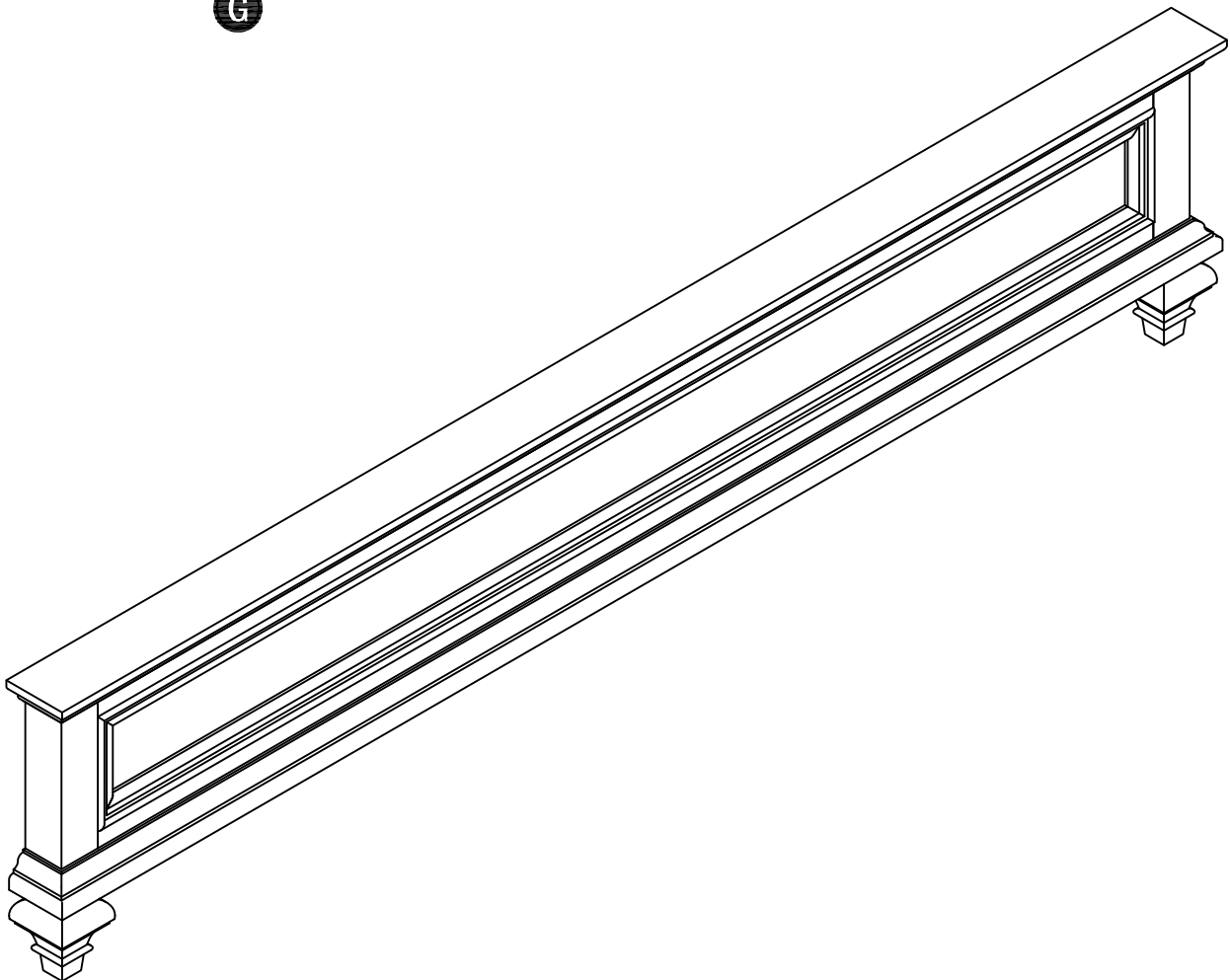
**IMPORTANT**

\* Use a soft cloth between these parts and the floor.



### STEP 1

Attach Legs (G) to Footboard (F).



# VERY IMPORTANT !!

## CARE INSTRUCTIONS

### NEVER

USE GLASS CLEANERS ON FINISHED FURNITURE. AMMONIA WILL CHEMICALLY ATTACK THE FINISH.

### NEVER

ALLOW LIQUIDS OF ANY KIND TO REMAIN ON THE FURNITURE. ABSORPTION CAUSES PART TO WARP AND SPLIT AND FINISHES TO DELAMINATE.

DO NOT WRITE DIRECTLY ON SURFACE.



**PREVENT MARKING**

DO NOT PLACE IN DIRECT SUNLIGHT.



**PREVENT FADING**

DO NOT USE COMMERCIAL WAXES AND POLISHES.



**PREVENT YELLOWING**

DO NOT PLACE HOT OBJECTS ON SURFACE.



**PREVENT FINISH DAMAGE**

DO NOT USE RUBBER BASED PLACE MATS.



**PREVENT DISCOLORING**

## TO CLEAN

USE A SOFT CLOTH MOISTENED IN LUKEWARM SOAP AND WATER, THEN BUFF WITH A DRY CLEAN CLOTH.



Home Styles will provide replacements free of charge for missing or damaged hardware or parts within 30 days of purchase. Digital images of the defective parts may be required. If this product was not purchased from an authorized retail affiliate, Home Styles is under no obligation to provide replacement parts. Parts are not available for fully assembled items nor are parts available for sale. Replacements for missing or damaged hardware or parts may be requested at:

[www.homestyles-furniture.com/customer\\_service](http://www.homestyles-furniture.com/customer_service)

**Home Styles Consumer Assistance:** [www.homestyles-furniture.com](http://www.homestyles-furniture.com),  
[servicedesk@homestyles-furniture.com](mailto:servicedesk@homestyles-furniture.com), 888-680-7460, 877-831-0319

# 88 5576 603

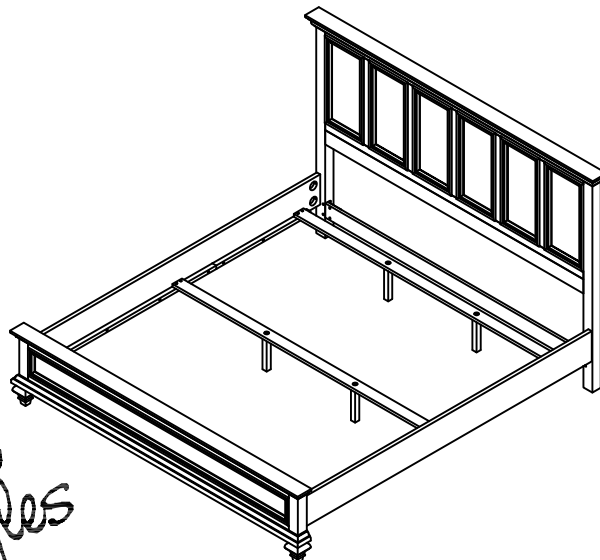
## King Bed Rails with Slats

### IMPORTANT NOTE

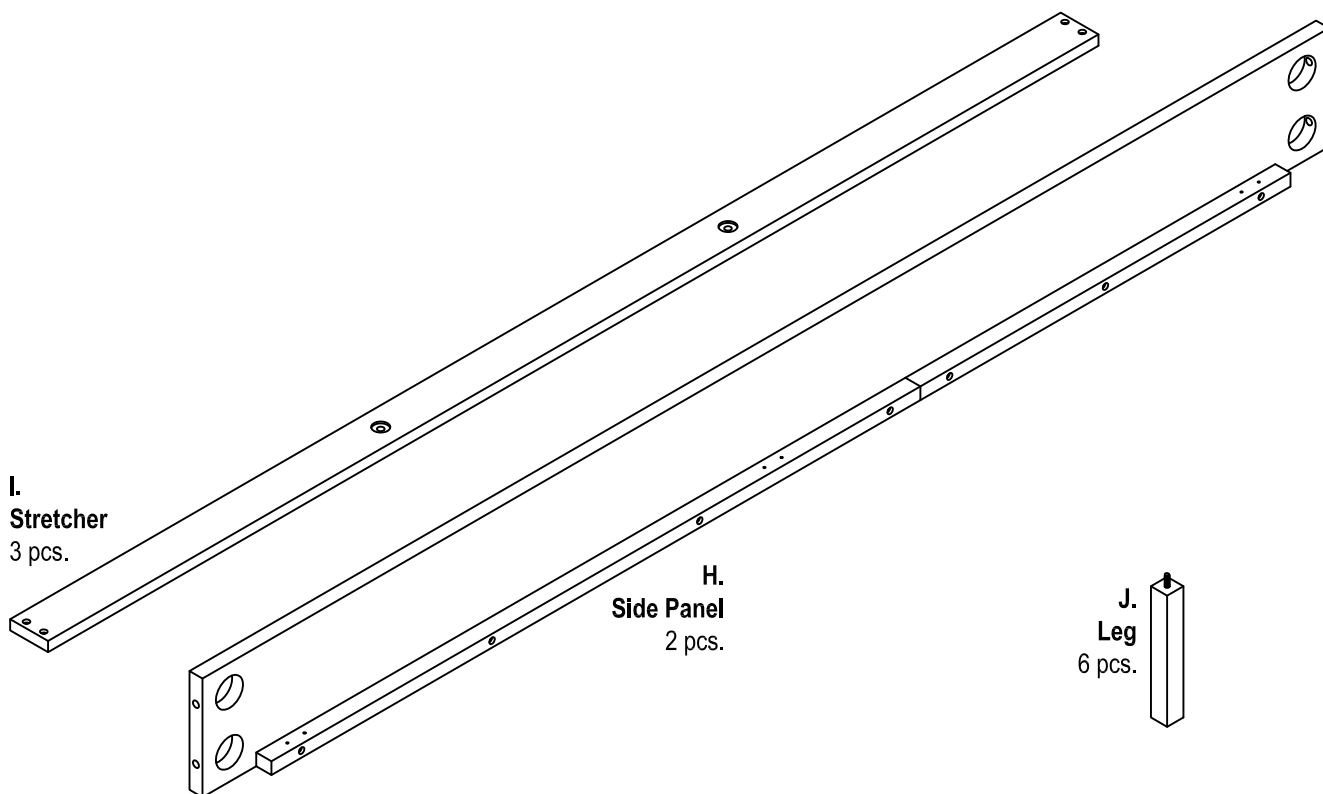
Carefully remove all the parts from the carton and put them individually on a soft cloth to prevent scratches or other damages occurring to the parts.

We have taken great care in the design of this product and request that you carefully and strictly follow our assembly instructions to ensure a completed product as it was designed.

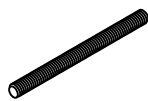
*Home Styles*



## Part List



## Hardware List



Bolt (5/16"x3 1/8")  
8 pcs. (+1 extra)



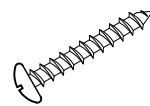
Square Washer  
8 pcs. (+1 extra)



Nut  
8 pcs. (+1 extra)



Wrench  
1 pc.



Wood Screw (M4x25)  
12 pcs. (+1 extra)

Also need the Parts and Hardware in carton  
88 5576 601 and 88 5576 602

Tools Required For Assembly : Phillips screwdriver

Tools Recommended For Assembly : Level

**Home Styles Consumer Assistance:** [www.homestyles-furniture.com](http://www.homestyles-furniture.com),  
[servicedesk@homestyles-furniture.com](mailto:servicedesk@homestyles-furniture.com), 888-680-7460, 877-831-0319

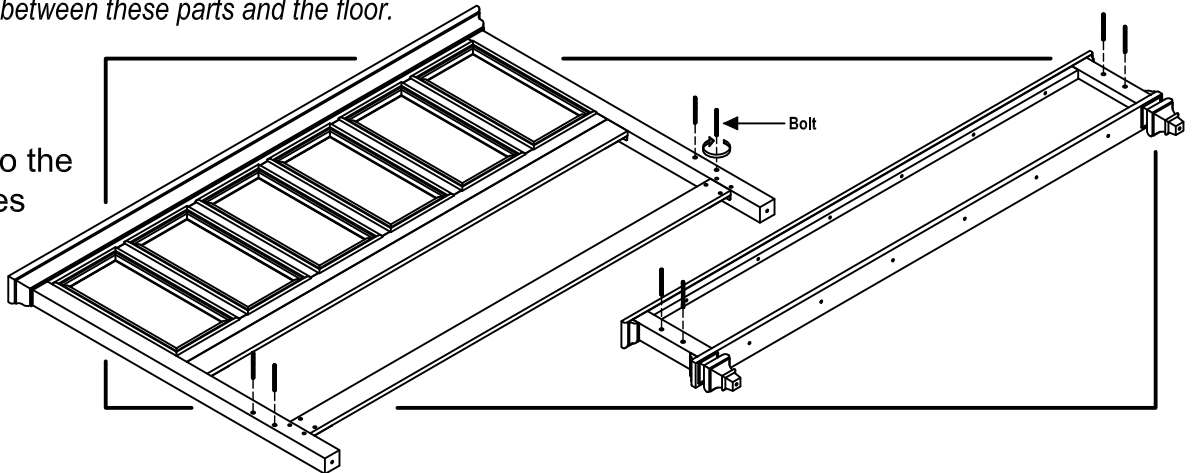
## Assembly Instructions 2/2

### IMPORTANT

- \* Do not tighten up all the bolts & screws until each part is properly assembled.
- \* You should keep Wrench in a safe place as you may need to tighten up the Nuts in the future.
- \* After assembly, item must be level to work properly. Use the included adjustable levellers to level.
- \* Use a soft cloth between these parts and the floor.

### STEP 1

Insert Bolts into the pre-drilled holes of Headboard and Footboard.



### STEP 2

Assemble Side Panels (H) to Headboard and Footboard using Square Washers and Nuts. Tighten all the Bolts with Wrench. (See Figure 1)

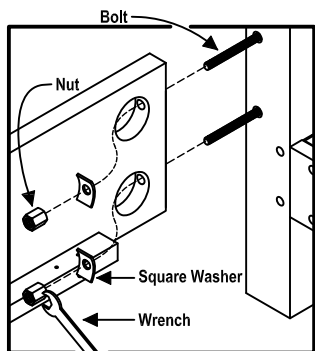
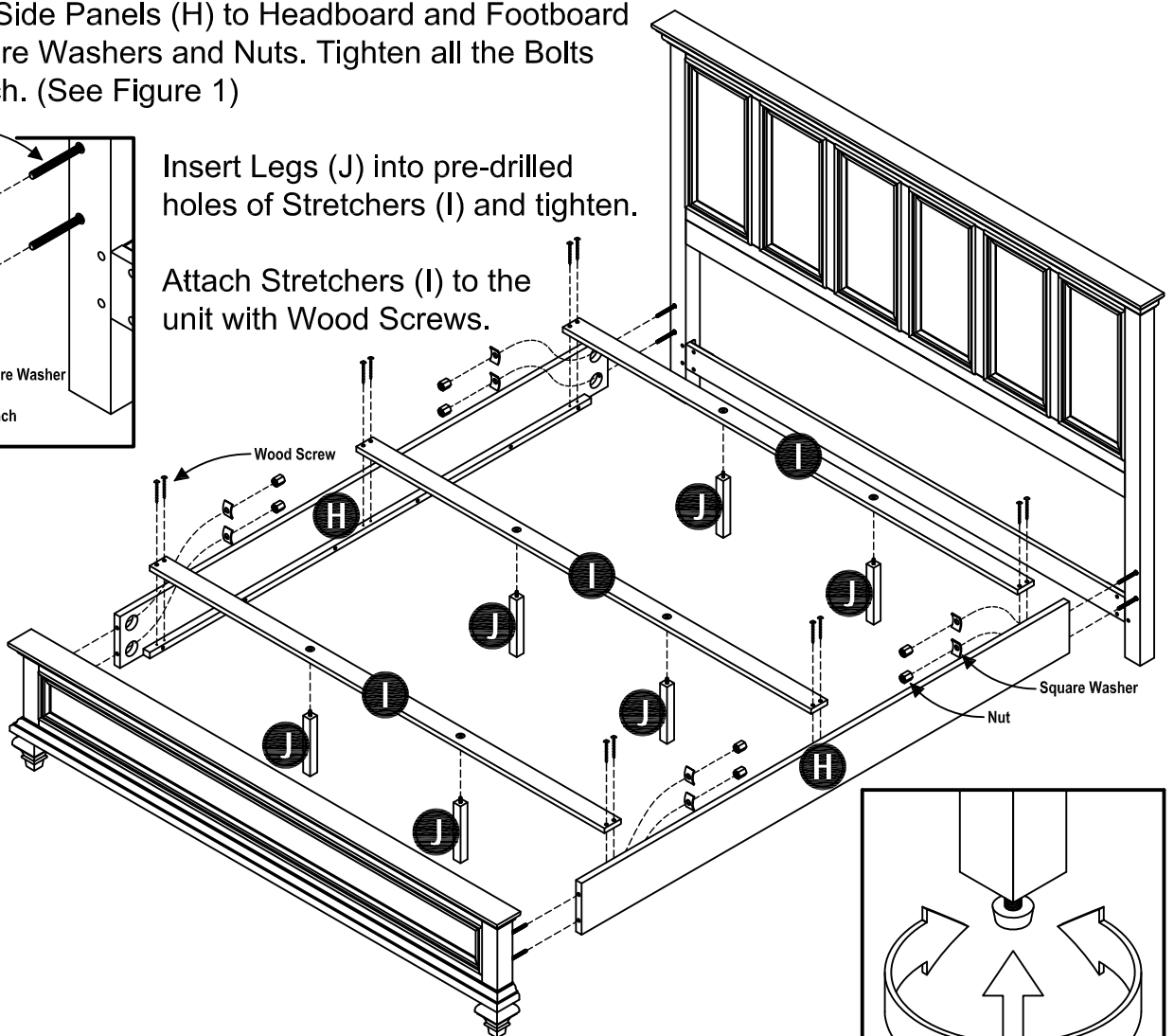


Figure 1

Insert Legs (J) into pre-drilled holes of Stretchers (I) and tighten.

Attach Stretchers (I) to the unit with Wood Screws.



### STEP 3

To level the unit, adjust the adjustable levelers on the bottom of legs.

**Note: Unit must be level to work properly.**

(See Figure 2)

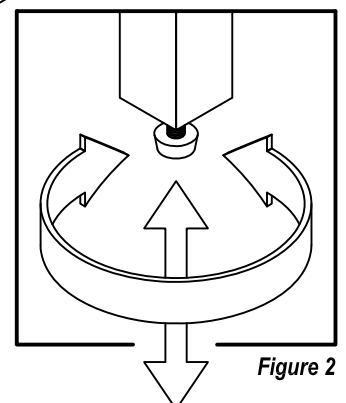


Figure 2

# VERY IMPORTANT !!

## CARE INSTRUCTIONS

### NEVER

USE GLASS CLEANERS ON FINISHED FURNITURE. AMMONIA WILL CHEMICALLY ATTACK THE FINISH.

### NEVER

ALLOW LIQUIDS OF ANY KIND TO REMAIN ON THE FURNITURE. ABSORPTION CAUSES PART TO WARP AND SPLIT AND FINISHES TO DELAMINATE.

DO NOT WRITE DIRECTLY ON SURFACE.



**PREVENT MARKING**

DO NOT PLACE IN DIRECT SUNLIGHT.



**PREVENT FADING**

DO NOT USE COMMERCIAL WAXES AND POLISHES.



**PREVENT YELLOWING**

DO NOT PLACE HOT OBJECTS ON SURFACE.



**PREVENT FINISH DAMAGE**

DO NOT USE RUBBER BASED PLACE MATS.



**PREVENT DISCOLORING**

## TO CLEAN

USE A SOFT CLOTH MOISTENED IN LUKEWARM SOAP AND WATER, THEN BUFF WITH A DRY CLEAN CLOTH.



Home Styles will provide replacements free of charge for missing or damaged hardware or parts within 30 days of purchase. Digital images of the defective parts may be required. If this product was not purchased from an authorized retail affiliate, Home Styles is under no obligation to provide replacement parts. Parts are not available for fully assembled items nor are parts available for sale. Replacements for missing or damaged hardware or parts may be requested at:

[www.homestyles-furniture.com/customer\\_service](http://www.homestyles-furniture.com/customer_service)

**Home Styles Consumer Assistance:** [www.homestyles-furniture.com](http://www.homestyles-furniture.com),  
[servicedesk@homestyles-furniture.com](mailto:servicedesk@homestyles-furniture.com), 888-680-7460, 877-831-0319