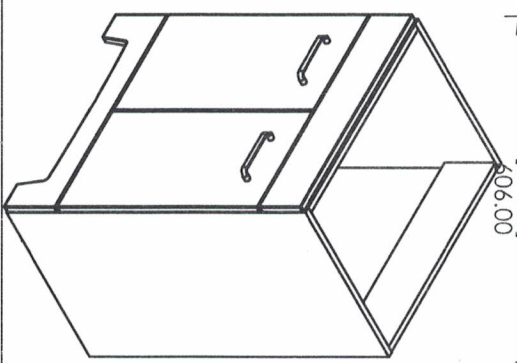
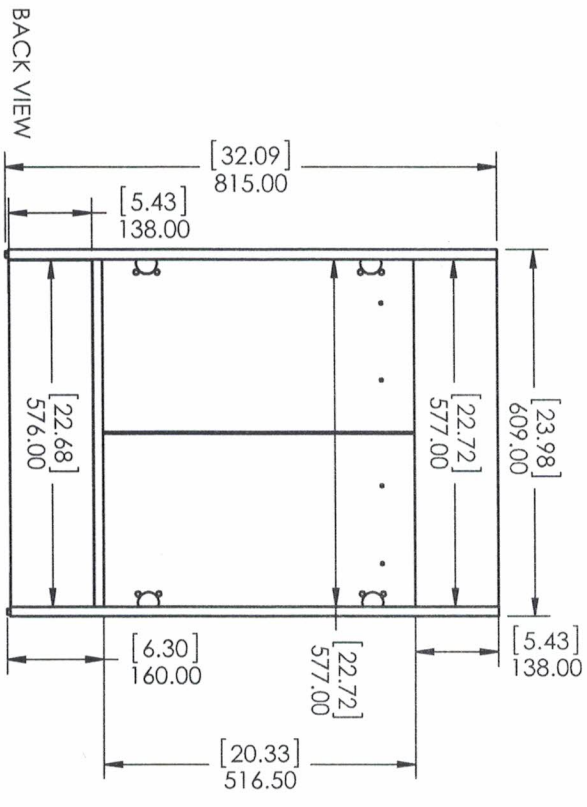
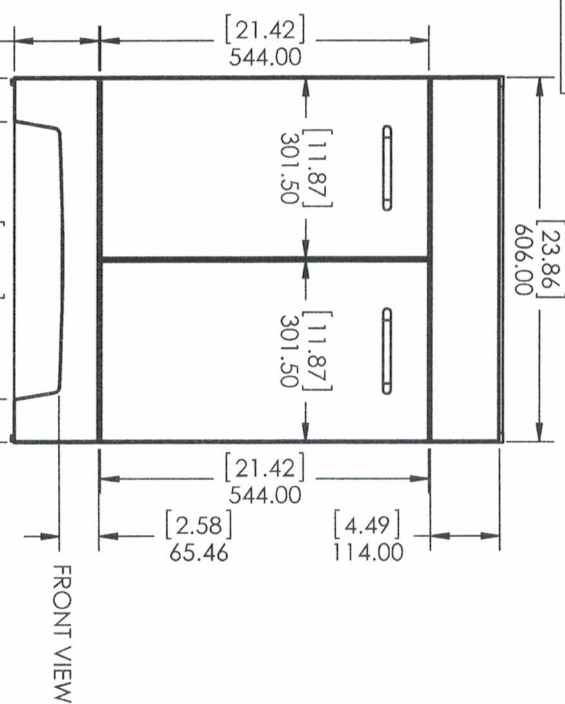
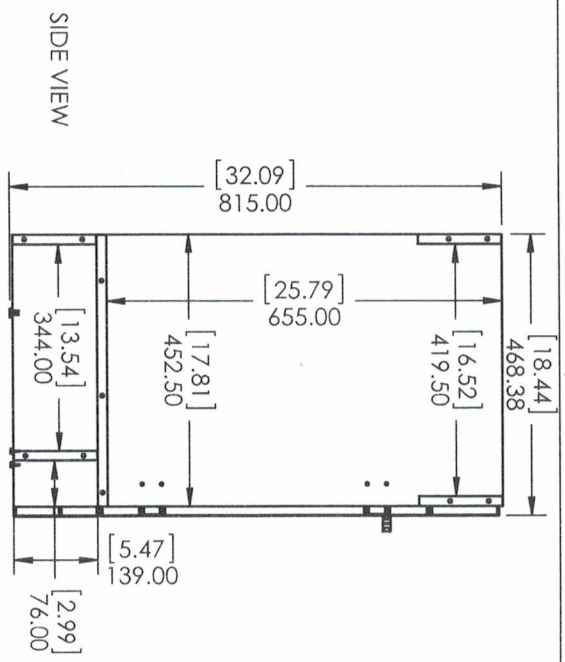


ITEM ID	DESCRIPTION
ST24P3-EE	Stancliff 24.5in W x 18.75in D x 34.13in H Vanity in Elm Ember with AB Vanity Top in White and Mirror
ST24P3-EK	Stancliff 24.5in W x 18.75in D x 34.13in H Vanity in Elm Skye with AB Vanity Top in White and Mirror
ST24P2-EE	Stancliff 24.5x18.75x34.34in Vanity w/Vanity Top - Elm Ember
ST24P2-EK	Stancliff 24.5x18.75x34.34in Vanity w/Vanity Top - Elm Sky
ST24P2X-EE	Stancliff in 24.5 W x 18.75 D x 34.13in H Vanity in Elm Ember with Cultured Marble Vanity Top in White

REV	ECO#	DESCRIPTION	REV'D BY	DATE	CHK'D BY	DATE	APP'D BY	DATE
0		New Release	IASV	2/11/16	IASV	2/11/16	IASV	2/11/16
1		New model ST24P3-EK added	IASV	7/14/16	IASV	7/14/16	IASV	7/14/16
2		New models ST24P2-EK, ST24P2-EE & ST24P2X-EE added	IASV	5/25/17	IASV	7/14/16	IASV	7/14/16



PROPRIETARY AND CONFIDENTIAL
 THE INFORMATION CONTAINED IN THIS DRAWING IS THE
 SOLE PROPERTY OF WOODCRAFTERS HOME PRODUCTS
 L.L.C. ANY REPRODUCTION IN PART OR AS A WHOLE
 WITHOUT THE WRITTEN PERMISSION OF WOODCRAFTERS
 HOME PRODUCTS L.L.C. IS PROHIBITED.

UNLESS OTHERWISE SPECIFIED
 DIMENSIONS ARE IN MM
 AND TOLERANCES ARE
 +/- 1.0 [0.04]

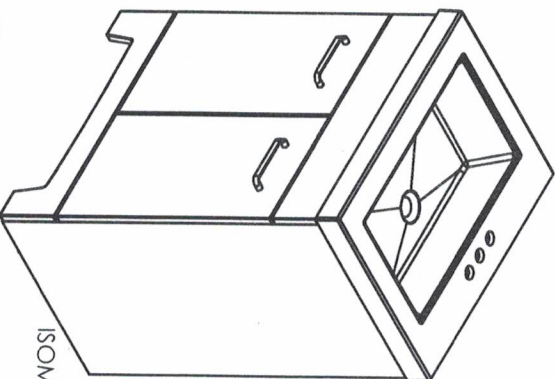
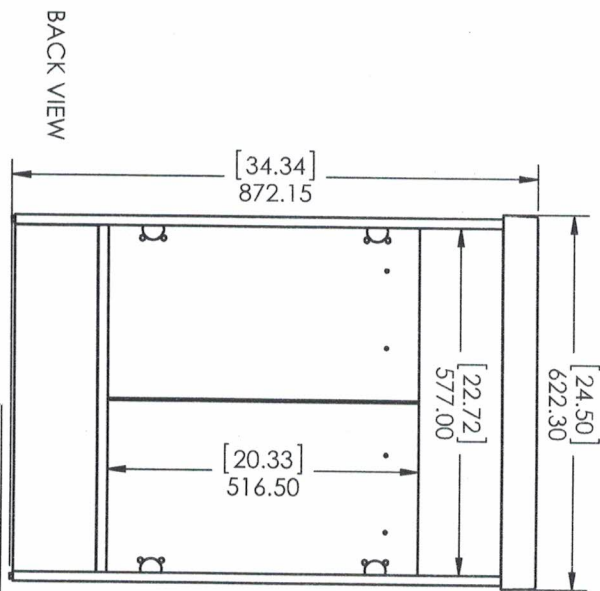
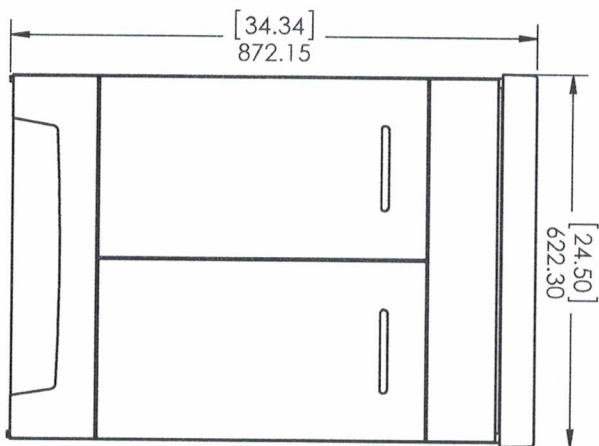
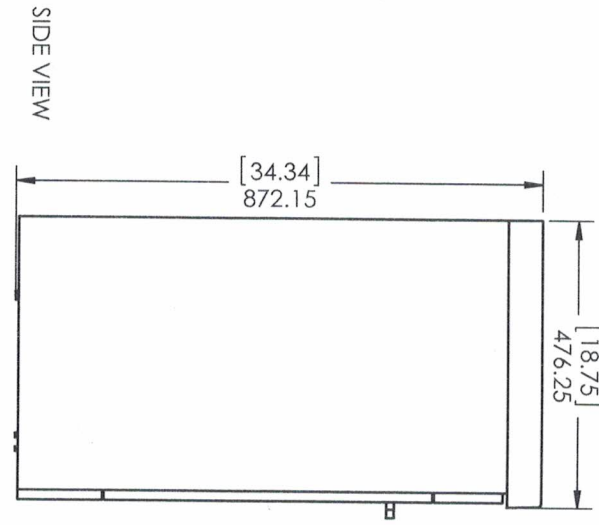
DRAWN BY:	CHECKED BY:	APPROVED BY:	DATE:
IASV	IASV	IASV	2/11/16
IASV	IASV	IASV	2/11/16
IASV	IASV	IASV	2/11/16

TITLE: **STANCLIFF ASSEMBLY**
 24"
 SCALE: 1:10
 SIZE: A
 PART NO:
 PAGE: 1 OF 1
 REV: 2



ITEM ID	DESCRIPTION
ST24P2-EE	Stanciff 24.5x18.75x34.34in Vanity w/Vanity Top - Elm Ember
ST24P2-EK	Stanciff 24.5x18.75x34.34in Vanity w/Vanity Top - Elm Sky

REV	ECO#	DESCRIPTION	REV'D BY	CHK'D BY	DATE	DATE
0		New Release	IASV	IASV	5/25/17	5/25/17



PROPRIETARY AND CONFIDENTIAL
 THE INFORMATION CONTAINED IN THIS DRAWING IS THE SOLE PROPERTY OF WOODCRAFTERS HOME PRODUCTS L.L.C. ANY REPRODUCTION IN PART OR AS A WHOLE WITHOUT THE WRITTEN PERMISSION OF WOODCRAFTERS HOME PRODUCTS L.L.C. IS PROHIBITED.

UNLESS OTHERWISE SPECIFIED
 DIMENSIONS ARE IN MM
 AND TOLERANCES ARE
 +/- 1.0 [0.04]

DRAWN BY:	CHECKED BY:	APPROVED BY:	DATE:	SCALE:	SHEET:	PART NO.:	PAGE:	REV:
IASV	IASV	IASV	5/25/17	1:10	A		1	0



**STANCLIFF ASSEMBLY
 24" + TOP 595479**