

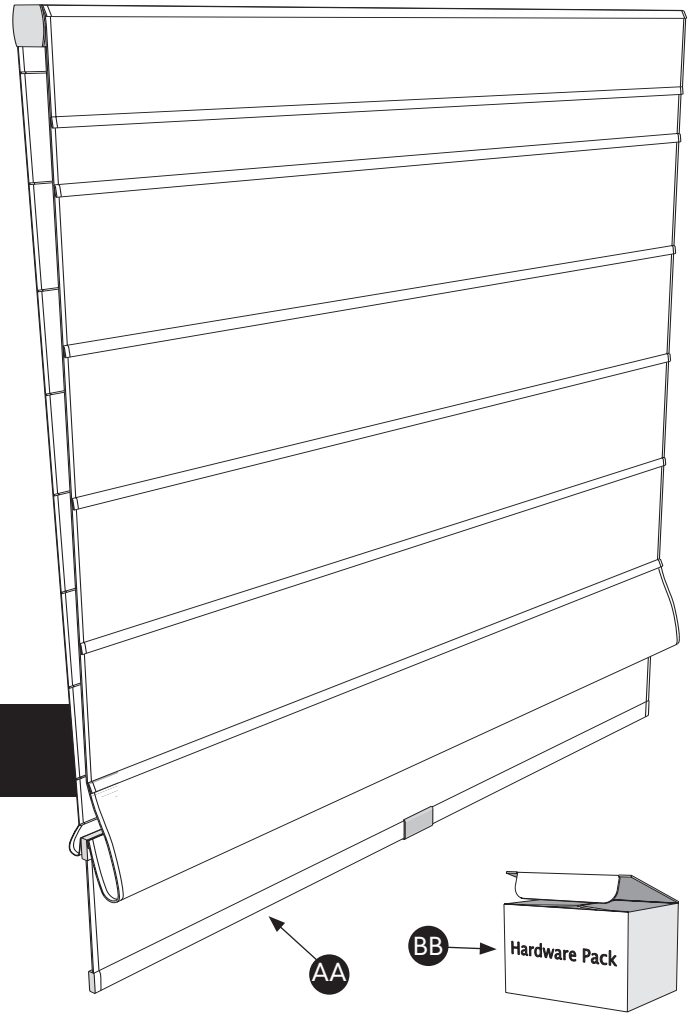


TM

ELEGANT HOME

CORDLESS ROMAN SHADE ROOM DARKENING

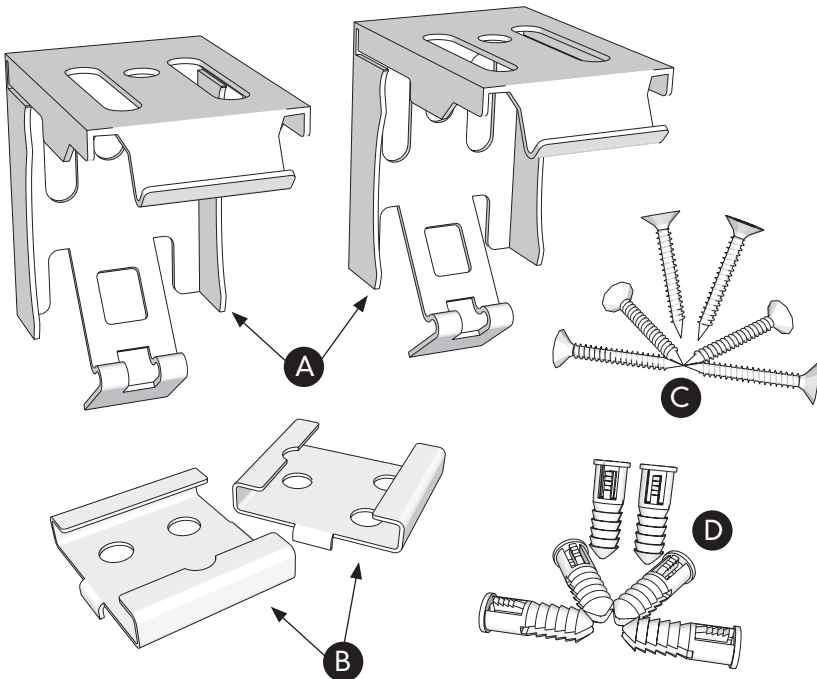
Installation Instructions



Package Contents

Name	Quantity
AA Roman Shade	1
BB Hardware Pack	1

Hardware Pack Contents



Name	Quantity*
A Mounting Brackets	2 - 3
B Mounting Bracket Spacers	2 - 3
C Phillips Head Screws \oplus	6 - 9
D Screw Anchors	6 - 9
E Small Screws	2

* Quantities will change with size of shade.

Note:

If mounting in drywall or plaster wall, use the provided plastic screw anchors (D).

Safety Information

Please read and understand this entire manual before attempting to assemble, operate or install this product.

Preparation

Before beginning assembly of product, make sure all parts are present. Compare parts with package contents list and hardware contents above. If any part is missing or damaged, do not attempt to assemble the product.

Estimated Assembly Time: 15 minutes

Tools Required for Installation (not included): Pencil, Safety Goggles, Phillips Screwdriver, Tape Measure, Level.

Helpful Tools (not included): Drill with 1/16 in. Bit, Step Stool.

ATTENTION!

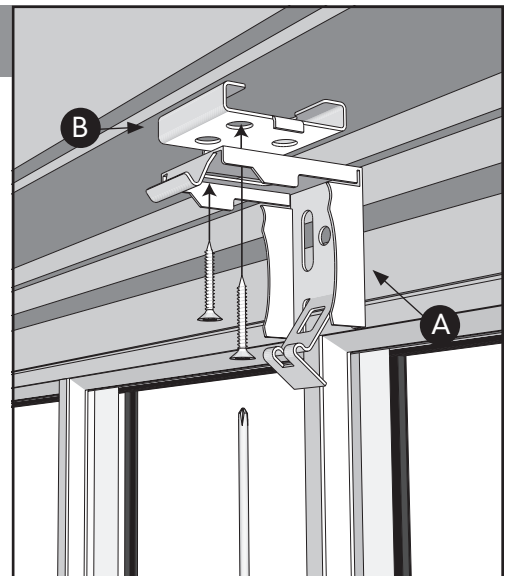
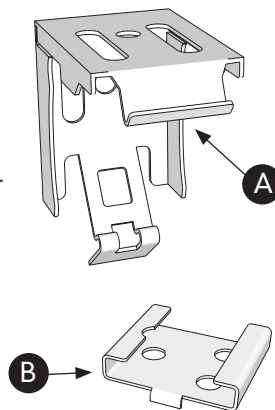
Use Spacers when mounting from above

The spacer is only necessary when you are mounting from above because there is not enough clearance to fully tilt the headrail and attach to mounting bracket during installation.

Without use of the spacer, the top corner of the headrail will be higher than the bracket causing it to hit the ceiling or window frame preventing proper installation.

When mounting on the ceiling the spacer is always necessary.

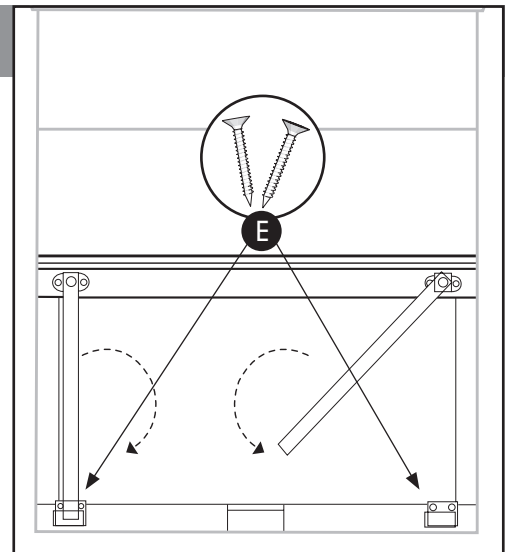
When mounting inside a window frame from above the spacer MAY be necessary if the depth of the window exceeds the depth of the bracket.



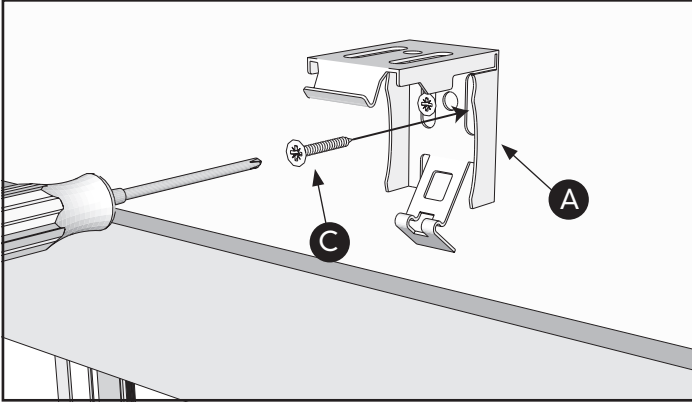
Be sure to properly secure support rods before use

Before installing shade (AA), swing the pre-assembled support rods on the bottom section of the back of the shade (AA) into the pre-assembled brackets. Press them firmly sideways to snap into place.

Use small screw (DD) to secure support rod in place.



Outside Mount Installation Instructions



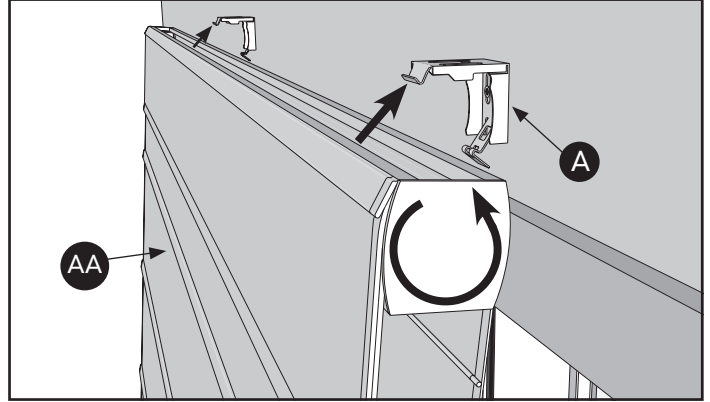
Step 1

Outside Mount

Pencil mark the mounting screw holes then pre-drill holes for mounting screws.

Attach mounting brackets (A) using provided mounting screws (C).

Note: If mounting in drywall or plaster wall, use the provided plastic screw anchors (D).



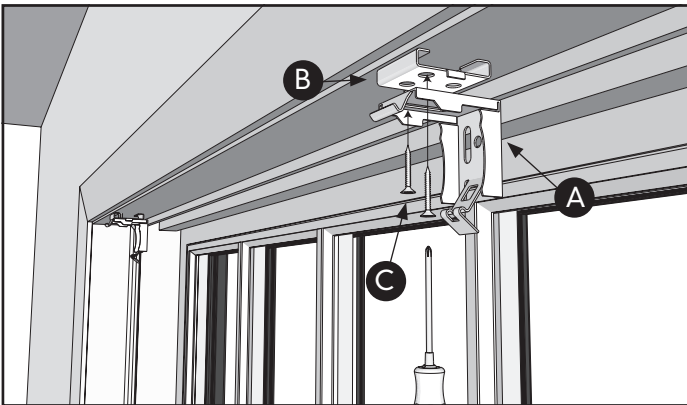
Step 2

Outside Mount

Insert the top front of the headrail onto the front lip of the mounting brackets (A).

Rotate upwards until the back of the headrail snaps into bracket.

Inside or Ceiling Mount Installation Instructions



Step 1

Inside Mount

Pencil mark the mounting screw holes then pre-drill holes for mounting screws.

Place the Spacer (B) on top of Mounting Bracket (A) as shown above. With mounting brackets level and flush with the window frame or ceiling, using provided Mounting Screws (C), screw through the top of the Mounting Brackets and up through the spacers (B).

Note: If mounting in drywall or plaster wall, use the provided plastic screw anchors (D).



Step 2

Inside Mount

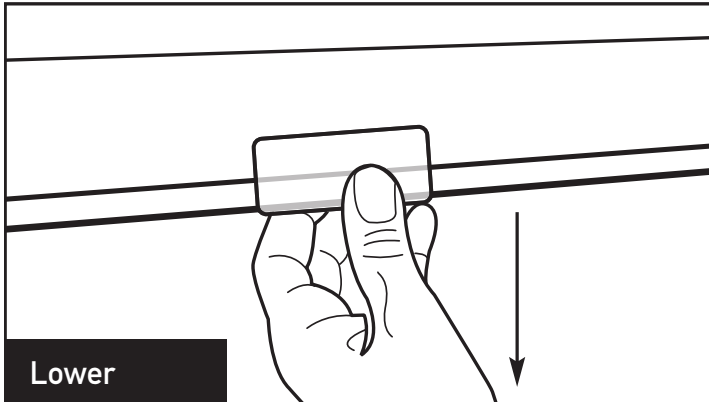
Insert the top front of the headrail onto the front lip of the mounting brackets (A).

Rotate upwards until the back of the headrail snaps into bracket.

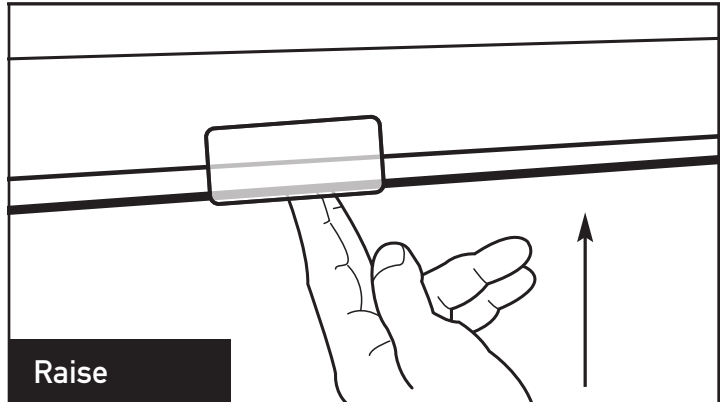
Cleaning

Periodic Vacuuming with proper attachments suggested. Spot clean with mild detergent free soap, testing first in an inconspicuous area.

Operating Instructions



To lower your shade (AA), pull to the desired position and release.



To raise your shade (AA), push up to desired position and release.



Reminder

Unlike standard corded shades/blinds, Cordless shades/blinds utilize a spring tension device to lift and lower your window treatment. When your shade/blind is in the extended position for a long period of time you may experience temporary lifting difficulty; this can be corrected by completely raising the shade/blind.

The best way to operate your shade is to gently push or pull to lift and lower your shade/blind with even pressure from the middle of the shade. This will ensure proper function of your window treatment for years to come.

One Year Limited Warranty

What is covered under this warranty:

Entire product against manufacturing defects (i.e., a flaw in the product design, materials or workmanship that causes the product to no longer function properly).

What is Not covered under this warranty:

- Normal wear and tear

Failure due to:

- abuse • exposure to salt air • improper installation • accident • extraordinary use • misuse • alterations • improper operation • improper cleaning • misapplication • damage from pets/insects • improper handling

Any shade that has with the passing of time:

- loss of color intensity • yellowing or cracking of plastic parts

Costs that are associated with:

- shipping • product removal • transportation to and from the retailer • product remeasure • incidental or consequential damages • product reinstallation

Note: In the event there are multiple shades in the same room, only the defective shade will be replaced.

THIS SHALL BE YOUR SOLE REMEDY UNDER THIS LIMITED WARRANTY:

If this product is found to have a manufacturing defect in materials or workmanship, we will (at our discretion) do one of the following:

- repair the product • replace the product • refund the cost of the product

Note: Colors vary from lot to lot and may not match previous purchases exactly. Discontinued items or color selections will be replaced with the closest equivalent current product.

Your Rights under State Law: This limited warranty gives you specific legal rights, and you may have other rights, which vary from state to state. Some states do not allow limitations on how long a warranty lasts, so the above limitations may not apply to you. No representative or unauthorized employee has the authority to increase or alter the obligation of this warranty. This limited warranty supersedes any previous versions.