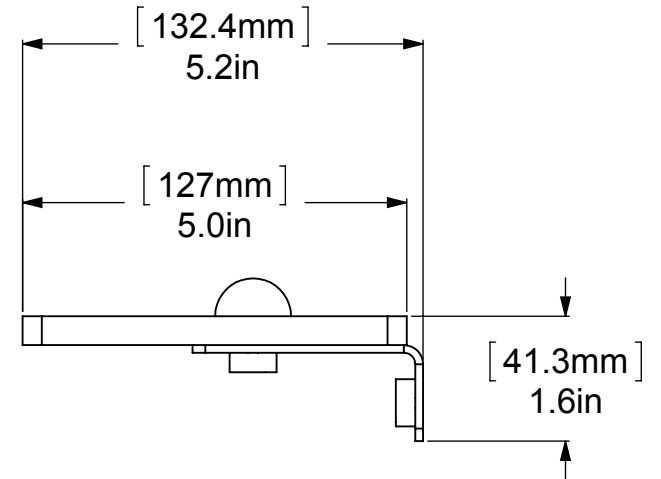
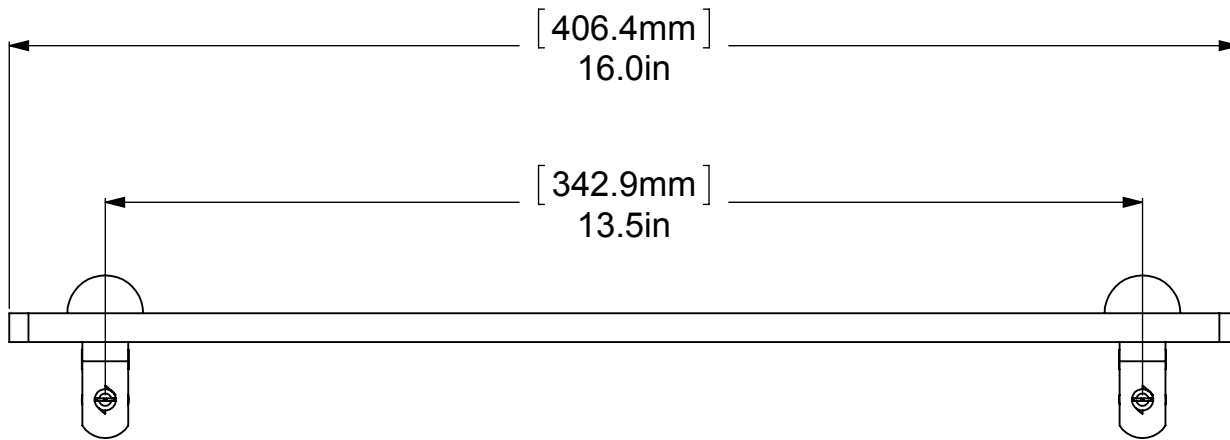
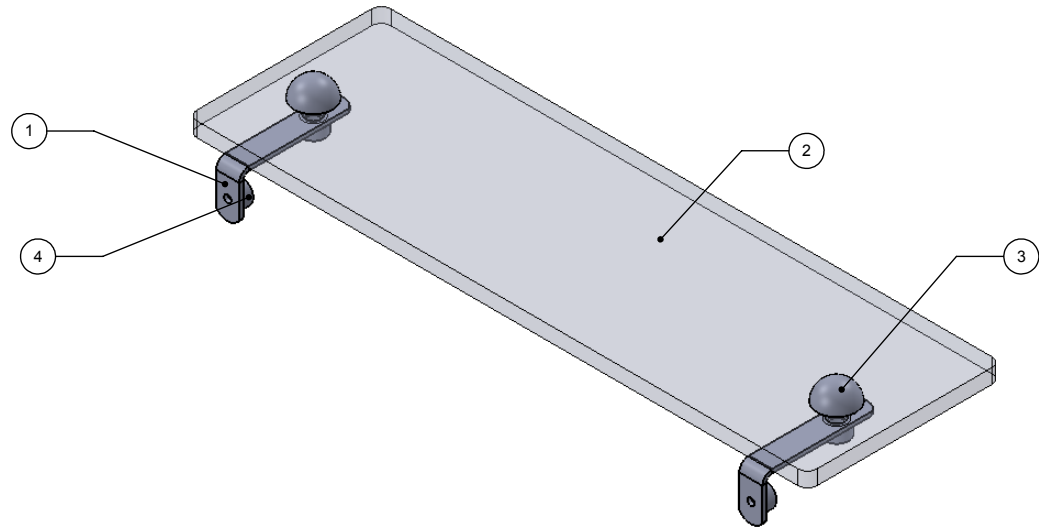


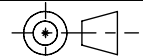
| ITEM NO. | P/N | Description | QTY. |
|----------|----------|-------------|------|
| 1 | BKSH-2AD | BRACKET | 2 |
| 2 | GLRT-16 | GLASS | 1 |
| 3 | CAHR-1 | END BALL | 2 |
| 4 | CARD-58 | END CAP | 4 |



UNLESS OTHERWISE STATED

| | |
|------|---------|
| .X | ±.3mm |
| .XX | ±.15mm |
| .XXX | ±.008mm |

COPYRIGHT © Allied Brass 2016



THIRD ANGLE PROJECTION

| | | |
|----------|-----------|-----|
| DRAWN | 6/22/2016 | I.M |
| CHECKED | 6/22/2016 | P.D |
| APPROVED | 6/22/2016 | R.A |

| | |
|--------------|-------|
| MATERIAL: | BRASS |
| DESCRIPTION: | SHELF |
| | |

| | |
|-------------|---------|
| FINISH | TBD |
| QUANTITY | TBD |
| DRAWING No. | RC-1-16 |
| REV | 0 |
| SCALE | 1:2.5 |
| SHEET: 01 | A4 |