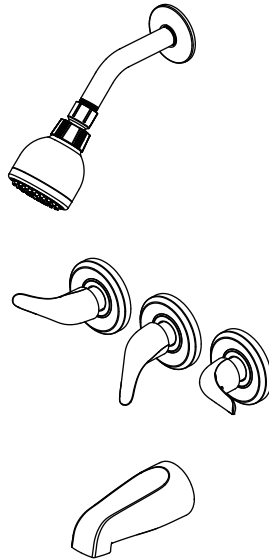


# INSTALLATION AND CARE GUIDE

---

## THREE-HANDLE TUB AND SHOWER FAUCET



### Questions, problems, missing parts?

Before returning to the store, call Glacier Bay Customer Service  
8 a.m. - 7 p.m., EST, Monday - Friday  
9 a.m. - 6 p.m., EST, Saturday

1-855-HD-GLACIER (1-855-434-5224)

[HOMEDEPOT.COM/GLACIERBAY](http://HOMEDEPOT.COM/GLACIERBAY)

---

### THANK YOU

*We appreciate the trust and confidence you have placed in Glacier Bay through the purchase of this tub and shower faucet. We strive to continually create quality products designed to enhance your home. Visit us online to see our full line of products available for your home improvement needs. Thank you for choosing Glacier Bay!*

# Table of Contents

Important Information .....	2	Installation .....	7
Warranty .....	2	Care and Cleaning .....	10
Pre-Installation .....	3	Troubleshooting.....	11
Planning Installation .....	3	Service Parts.....	12
Tools and Hardware Required .....	3		
Package Contents .....	6		

## Important Information

- Do not install this product until you read and understand the instructions in this manual. If you are installing this product for someone else, leave this manual for the owner's/ user's reference.
- Inlet ports are designed to allow for 1/2 in. COPPER tubing solder connection or 1/2 in. IPS threading coupling connection. For threaded connections, wrap sealant tape around threaded ends before connecting. If soldering connections, certain inflammable parts should be removed prior to the soldering in order to avoid heat damage. If you are unsure how to properly remove these parts, please call us at 1-855-HD-Glacier.
- Protect your eyes with safety glasses when cutting or soldering water supply lines.
- **NOISE AND WATER HAMMER IN PEX SYSTEMS:** Due to the inherent flexibility of PEX compared with metallic plumbing materials, water hammer and noise can sometimes occur from the pressure surges. It is important to ensure the tubing is not in contact with wallboard, forced air ducts or other high-resonance materials. Clamping or strapping can help prevent these noises. **DO NOT USE PEX tubing from the valve to the tub spout.**

## Warranty

### LIMITED LIFETIME WARRANTY

Glacier Bay products are manufactured with superior quality standards and workmanship and are backed by our limited lifetime warranty. Glacier Bay products are warranted to the original consumer purchaser to be free of defects in materials or workmanship. We will replace **FREE OF CHARGE** any product or parts that proves defective. Simply, return the product / part to any of The Home Depot retail locations or call 1-855-HD-GLACIER (1-855-434-5224) to receive the replacement item. Proof of purchase (original sales receipt) from the original consumer purchaser must be made available for all Glacier Bay warranty claims.

This warranty excludes incidental/inconsequential damages and failures due to misuse, abuse or normal wear and tear. This warranty excludes all industrial, commercial and business usage, whose purchasers are hereby extended a five year limited warranty from the date of purchase, with all other terms of this warranty applying except the duration of warranty.

Some states and provinces do not allow the exclusion or limitation of incidental or consequential damages, so the above limitations may not apply to you. This warranty gives you specific legal rights and you may also have other rights that vary from state to state and province to province. Please see a store or contact 1-855-HD-GLACIER for more details.

Contact the Customer Service Team at 1-855-434-5224 or visit [www.HomeDepot.com](http://www.HomeDepot.com).

# Pre-Installation

## PLANNING INSTALLATION



**ADVANCED INSTALLATION:** Consult a plumber or professional before installing this product.

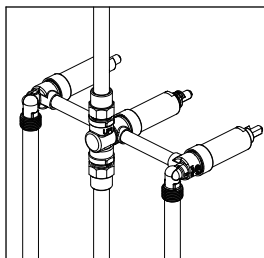
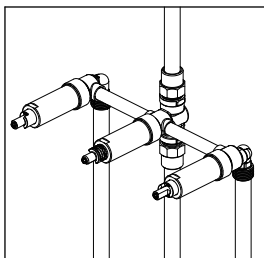
Before beginning the installation of this product, ensure all parts are present. Compare parts with the Package Contents list. If any part is missing or damaged, do not attempt to install the product. Contact Customer Service for replacement parts.

All installations can vary depending on how your previous faucet was installed. Not all supplies for faucet installation are included; however, they are available wherever plumbing supplies are sold. When choosing your installation supplies, make sure they are UPC and/or CSA approved products.

## TOOLS AND HARDWARE REQUIRED

If you are replacing your plumbing valve, please review the four common plumbing methods illustrated below: COPPER, IPS, PEX and CPVC. Remove the existing handle and valve trim before replacing your valve. Please follow all local building and plumbing codes.

### A. COPPER (Before soldering, remove the cartridge from the valve)



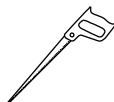
Safety goggles



Measuring tape



Tube cutter



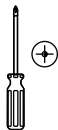
Key hole saw



Thread sealant tape



Adjustable wrench



Phillips screwdriver



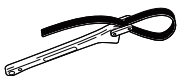
Silicone sealant



Flashlight



Wire brush



Strap wrench



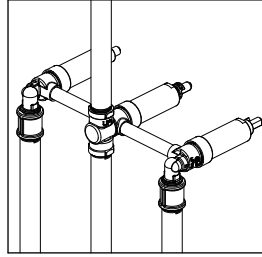
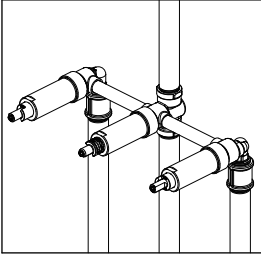
Torch



Lead-free solder Kit

# Pre-Installation (continued)

## B. IPS



Safety goggles



Measuring tape



Tube cutter



Key hole saw



Thread sealant tape



Pipe wrench



Adjustable wrench



Phillips screwdriver



Silicone sealant

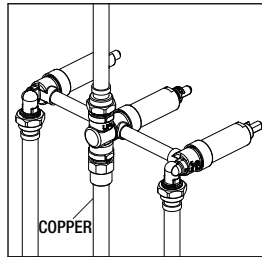
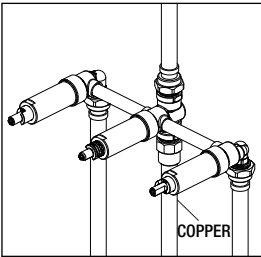


Flashlight



Strap wrench

## C. PEX+COPPER



Safety goggles



Measuring tape



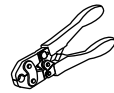
Tube cutter



Key hole saw



Thread sealant tape



Full circle crimping tool



Adjustable wrench



Phillips screwdriver



Silicone sealant



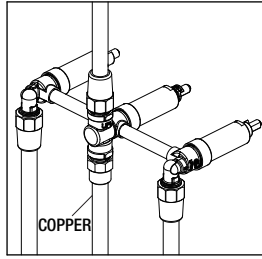
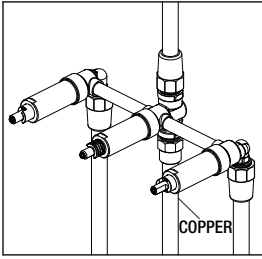
Flashlight



Strap wrench

# Pre-Installation (continued)

## D. CPVC+COPPER



Safety goggles



Measuring tape



Tube cutter



Key hole saw



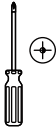
Thread sealant tape



Flashlight



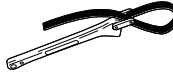
Adjustable wrench



Phillips screwdriver



Silicone sealant



Strap wrench



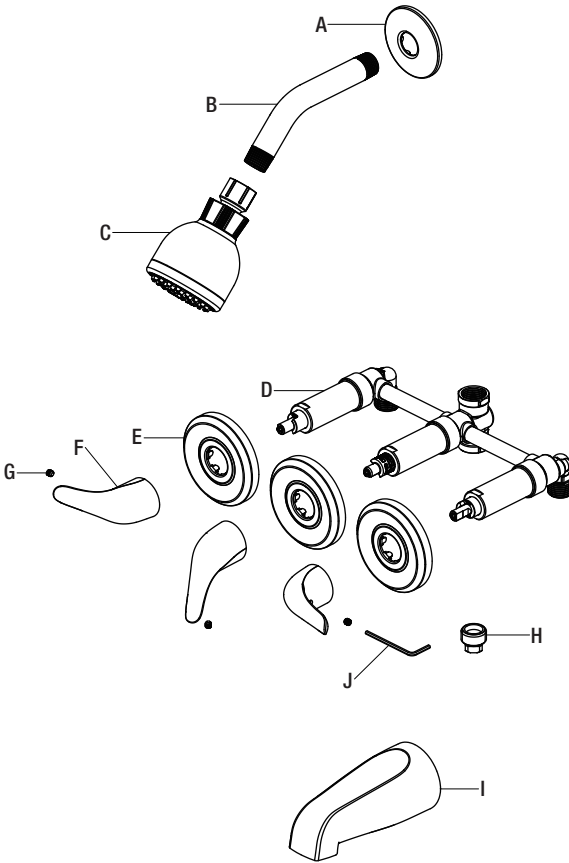
CPVC cement



CPVC cleaner

# Pre-Installation (continued)

## PACKAGE CONTENTS



Part	Description	Quantity
A	Shower flange	1
B	Shower arm	1
C	Shower head	1
D	Valve body	1
E	Flange	3
F	Handle	3
G	Set screw	3
H	Plug	1
I	Tub spout	1
J	2.5mm hex wrench	1

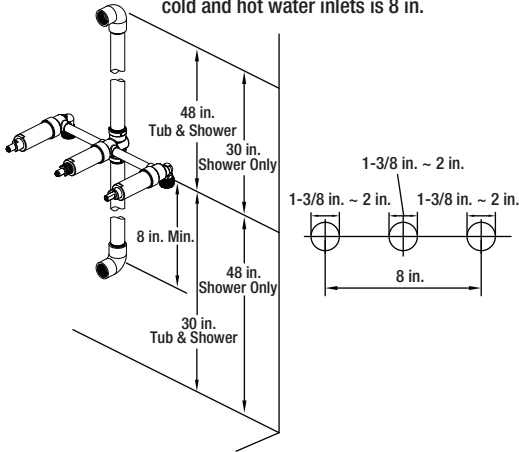
# Installation

## 1 Preparing for installation

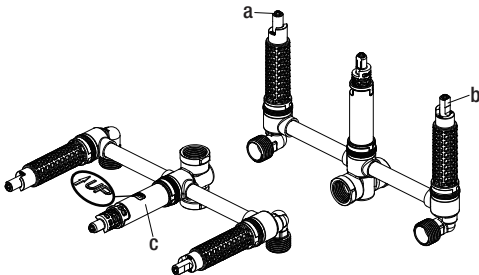


**CAUTION:** Always shut off the water supply before removing an existing faucet or replacing any part of a faucet. Open the faucet handle to relieve water pressure and ensure that the water is completely shut off.

- Shut off the water supply to the tub and shower.
- Verify that the hole sizes and positions of the holes in the wall are correct
  - The shower and tub spout outlet holes should be 1-1/4 in. diameter.
  - For the cold water inlet (the right side) and the hot water inlet (the left side), cut or leave a 1-3/8 in. diameter hole (recommended size is 1-3/4 in.). The center to center distance between the cold and hot water inlets is 8 in.



**NOTE:** Do not disassemble the cartridges and diverter during normal installation. When reinstalling the cartridges, be sure to insert them with the limit stop (a & b) pointed inward as shown in the diagram. When reinstalling the diverter, be sure to insert the face (c) with the markings "UP" facing upward as shown in the diagram. This is necessary for proper operation of the valve.

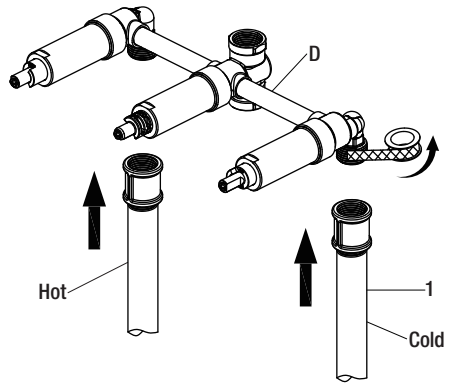


## 2 Installing the supply connections



**NOTE:** Be sure to position the valve body (D) correctly in the wall, with the markings "UP" facing upward. Hot water supply lines go into the "H" inlet; cold water supply lines go into the "C" inlet.

- Wrap thread sealant tape around the valve body (D) threads in a clockwise direction, as shown.
- Thread the waterline (1) to the valve body (D), and tighten with a wrench.



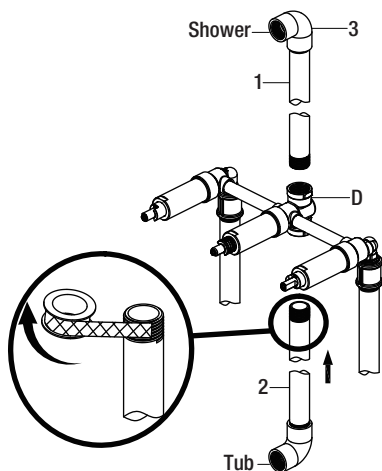
## Installation (continued)

### 3 Installing the tub and shower outlet connections

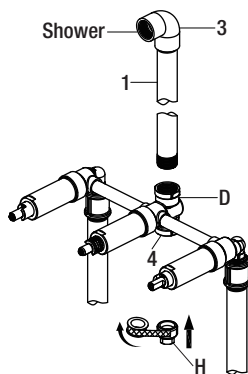


**NOTE:** Do not use PEX or CPVC between the valve body (D) and tub spout (I).

- Wrap thread sealant tape around the pipe threads in a clockwise direction, as shown.
- Connect the shower (1) and tub outlet pipes (2) to the valve body (D). Connect the pipe elbows (3) (not included) to the ends of both pipes, and tighten with a wrench.

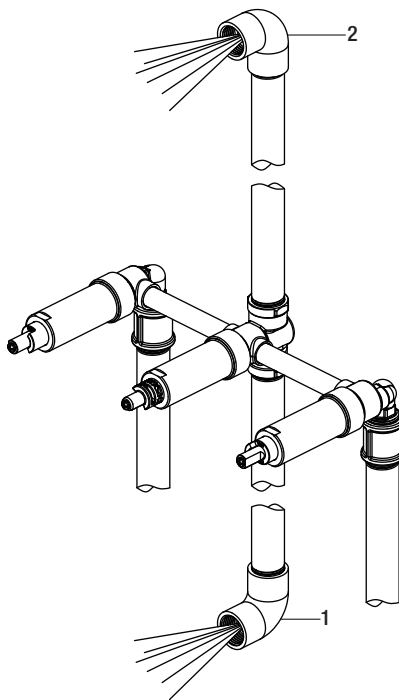


**NOTE:** For shower-only installation, wrap thread sealant tape around the threads of the plug (H), and insert it into the bottom outlet (4).



### 4 Flushing the water outlets and checking for leaks

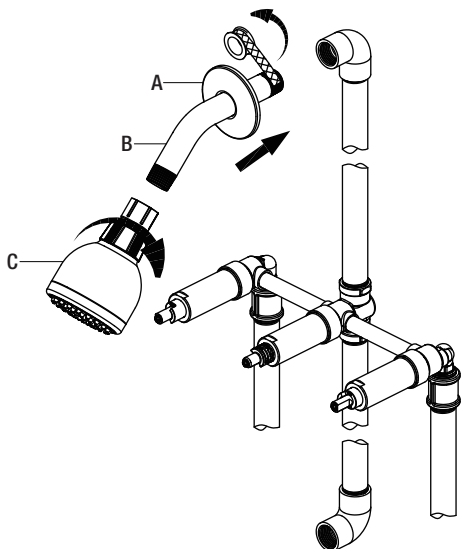
- For tub and shower combinations, turn on the hot and cold water supply lines, allowing water to flow from the tub spout outlet (1) until all debris is cleared from the line. Check all connections for leaks.
- For shower only installations, turn on the hot and cold water supply lines, allowing water to flow from the shower outlet (2) until all debris is cleared from the line. Pressure must be approximately equal on both hot and cold sides for the valve to function properly. Check all connections for leaks.





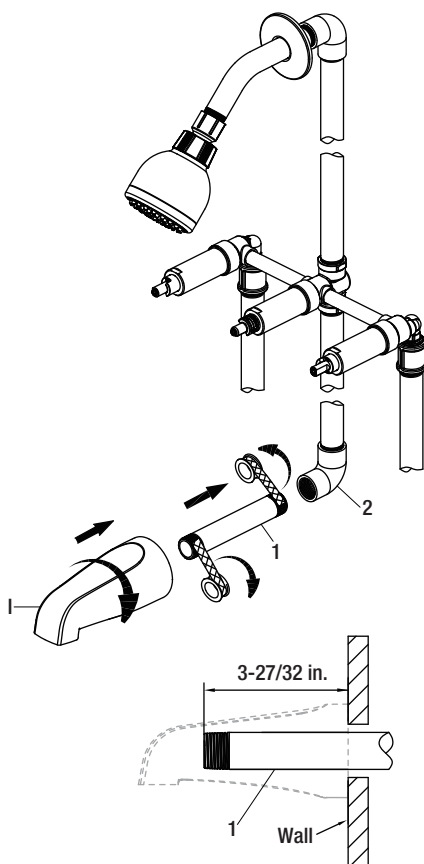
## 5 Installing the shower flange, shower arm, and shower head

- Insert the long end of the shower arm (B) through the shower flange (A), then wrap thread sealant tape around the long end of the shower arm (B) in a clockwise direction, as shown.
- Install the long end of the shower arm (B) into the pipe elbow inside the wall. The shower flange (A) should fit snug to the finished wall surface.
- Thread the shower head (C) onto the shower arm (B).
- Carefully tighten the shower arm (B) and shower head (C) with a clean strap wrench. Do not over tighten, as it could cause damage to the shower arm (B).



## 6 Installing the tub spout

- Wrap thread sealant tape around the pipe threads of the tub spout outlet (1, not included) in a clockwise direction, as shown.
- Connect the tub spout outlet pipe (the tub spout outlet pipe should project 3-27/32 in. from the finished wall) to the lower pipe elbow (2, not included). Tighten the elbows and tub spout outlet pipe connections with the strap wrench.
- Thread the tub spout (I) onto the tub spout outlet pipe in a clockwise direction until the tub spout (I) becomes flush with the finished wall. Use a strap wrench to tighten the tub spout (I).



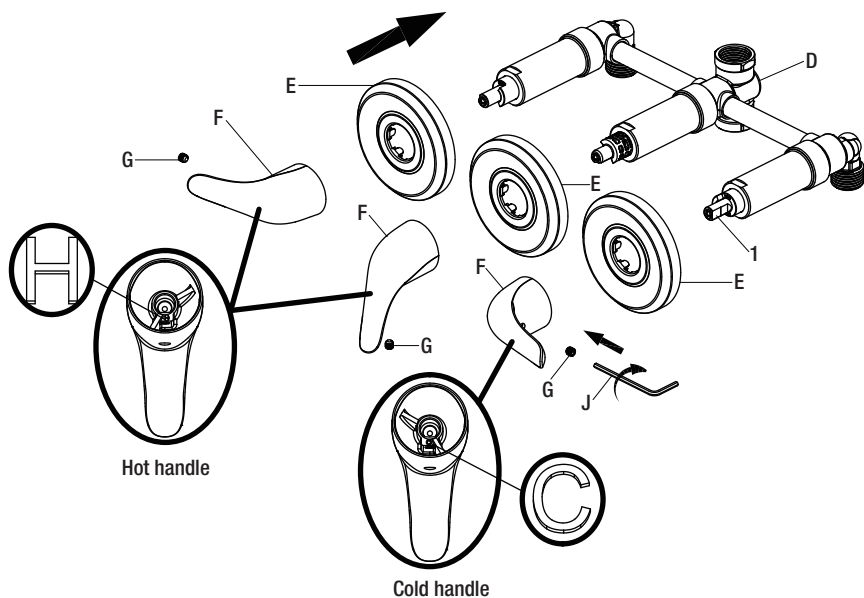
## Installation (continued)

### 7 Installing the handle



**NOTE:** Before proceeding, ensure the valves are closed.

- Position the flanges (E) on the valve body (D).
- Place the handles (F) onto the valve body (D) and tighten the set screw (G) with the Hex wrench (Hex: 2.5 mm, J) provided.



## Care and Cleaning

- To clean, wipe down with a damp cloth and dry with a towel.
- Do not use abrasive cleaners, steel wool, or harsh chemicals when cleaning this faucet, or the warranty will be voided.

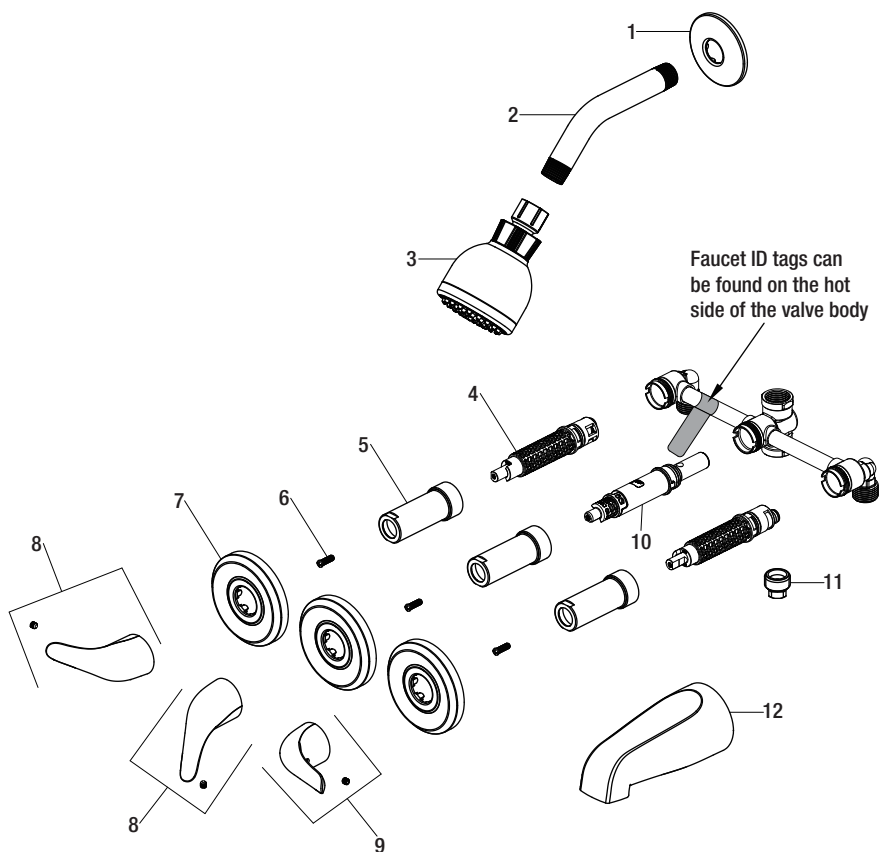
# Troubleshooting



**NOTE:** Refer to the Service Parts section in this manual for a detailed drawing showing the location of the parts listed below.

Problem	Possible Cause	Solution
There is no flow or a low water flow.	One or both water supplies are not turned on.	<input type="checkbox"/> Turn both water supply valves counterclockwise to the on position.
There is leaking or dripping from the spout when the handle is closed.	The grommets are not sealing properly.	<input type="checkbox"/> Replace the cartridge.
Water comes out of the tub spout and showerhead at the same time.	<p>If the pattern of the water flow switches to the shower from the tub spout, and the leak from the tub spout is less than 0.01 GPM, this is a normal occurrence. Or consider the causes below:</p> <p>! The pipe used between the valve and the tub spout is not 1/2 in. IPS, or the COPPER pipe is incorrect.</p> <p>! The distance between the valve and the showerhead is less than 48 in..</p> <p>! There is a restriction between the valve and the tub spout.</p> <p>! The valve is installed upside down.</p>	<input type="checkbox"/> Change the pipe to IPS or COPPER. <input type="checkbox"/> The distance from the showerhead and valve moved to at least 48 in.. <input type="checkbox"/> Remove the tub spout and flush out debris and/or replace the undersized line or fittings. <input type="checkbox"/> Remove the valve and reinstall it using the correct orientation.
The handle is hard to turn.	The bonnet nut is too tight.	<input type="checkbox"/> Loosen the bonnet nut and reinstall it. Do not overtighten.

# Service Parts



Part	Description	Part Number
1	Shower flange	RP38046*
2	Shower arm	RP38019*
3	Shower head	RP38301*
4	Cartridge	RP22018
5	Bonnet nut	RP70154*
6	Screw	RP50209

Part	Description	Part Number
7	Flange	RP80387*
8	Handle assembly H	RP13585*
9	Handle assembly C	RP13586*
10	Diverter	RP70620
11	Plug	RP70153
12	Spout	RP33090*

\*Specify Finish

Many replacement cartridges, aerators, and drain assemblies can be purchased at your local The Home Depot store or online at [HOMEDEPOT.COM](http://HOMEDEPOT.COM)



**Questions, problems, missing parts?**

Before returning to the store, call Glacier Bay Customer Service

8 a.m. - 7 p.m., EST, Monday - Friday

9 a.m. - 6 p.m., EST, Saturday

1-855-HD-GLACIER (1-855-434-5224)

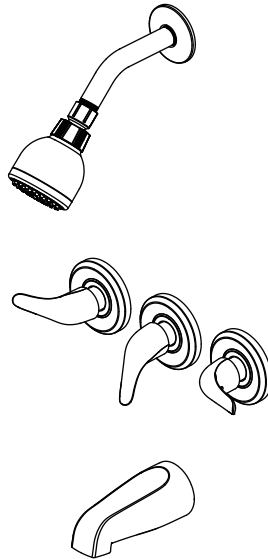
[HOMEDEPOT.COM/GLACIERBAY](https://www.homedepot.com/glacierbay)

Retain this manual for future use.

# GUÍA DE USO Y MANTENIMIENTO

---

## GRIFO PARA BAÑERA Y DUCHA, DE TRES LLAVES



¿Problemas, preguntas o piezas faltantes?

Antes de regresar a la tienda, llama al servicio al cliente de Glacier Bay de lunes a viernes entre 8 a.m. y 7 p.m. y los sábados entre 9 a.m. y 6 p.m. (hora estándar del Este)

1-855-HD-GLACIER (1-855-434-5224)

[HOMEDEPOT.COM/GLACIERBAY](http://HOMEDEPOT.COM/GLACIERBAY)

---

### **GRACIAS**

*Apreciamos la confianza que has depositado en Glacier Bay al comprar este grifo para bañera y ducha. Nos esforzamos por crear continuamente productos de calidad diseñados para mejorar tu hogar. Visítanos en Internet para ver nuestra línea completa de productos disponibles para las necesidades de mejoras de tu hogar.*

*¡Gracias por elegir a Glacier Bay!*

## Tabla de contenido

Información importante .....	15	Instalación .....	20
Garantía.....	15	Cuidado y limpieza .....	23
Pre-instalación .....	16	Solución de problemas.....	24
Planificación de la instalación .....	16	Piezas de repuesto .....	25
Herramientas y herrajes necesarios....	16		
Contenido del paquete .....	19		

## Información importante

- No instales este producto hasta que hayas leído y entendido las instrucciones de este manual. Si estás instalando este producto para alguien, déjale este manual para que le sirva como referencia al dueño/usuario.
- Los puertos de entrada están diseñados para 1/2 plg. Conexión de soldadura de tubería de COBRE o 1/2 plg. Conexión de acoplamiento de rosca IPS. Para conexiones roscadas, envuelve los extremos roscados con cinta selladora antes de conectar. Si vas a soldar las conexiones, algunas partes inflamables deben quitarse antes de la soldadura para evitar daños por calor. Si no estás seguro sobre cómo quitar estas partes, llámanos a 1-855-HD-Glacier.
- Al soldar o cortar las líneas de suministro de agua, protege tus ojos con gafas de seguridad.
- RUIDO Y GOLPE DE ARIETE EN SISTEMAS PEX: Debido a la flexibilidad inherente del PEX, en comparación con materiales de plomería metálicos, el ruido y golpe de ariete puede ocurrir de vez en cuando por sobrecargas de presión. Es importante garantizar que la tubería no esté en contacto con paneles de pared, ductos de aire impulsado u otros materiales de alta resonancia. La sujeción o anclaje son métodos para evitar estos ruidos. NO USES tuberías PEX desde la válvula al caño de la bañera.

## Garantía

### GARANTÍA DE POR VIDA LIMITADA

Los productos de Glacier Bay están fabricados con normas y mano de obra de calidad superior y están respaldados por nuestra garantía de por vida limitada. Los productos de Glacier Bay están garantizados al comprador consumidor original de estar libres de defectos en materiales o mano de obra. Reemplazaremos LIBRE DE CARGOS cualquier producto o pieza que se demuestre está defectuosa. Simplemente, devuelva el producto a cualquiera de las ubicaciones de venta al detalle de The Home Depot o llame al 1-855-HD-GLACIER (1-855-434-5224) para recibir el artículo de reemplazo. La prueba de compra (recibo de venta original) del comprador consumidor original debe estar disponible para todos los reclamos de garantía de Glacier Bay.

Esta garantía excluye daños y fallos incidentales/consecuenciales debido al mal uso, abuso o desgaste normal por el uso. Esta garantía excluye todos los usos industriales, comerciales y de negocios, a cuyos compradores por la presente, se les ha ampliado una garantía limitada de cinco años a partir de la fecha de compra, con todos los otros artículos de esta garantía que aplican excepto la duración de la garantía.

Algunos estados y provincias no permiten la exclusión o la limitación de los daños incidentales o consecuenciales, por lo tanto, las limitaciones y exclusiones anteriores podrían no aplicar a usted. Esta garantía le otorga derechos legales específicos y también puede tener otros derechos que varían de un estado a otro. Por favor, vaya a una tienda o llame al 1-855-HD-GLACIER para más detalles.

Póngase en contacto con el Equipo de Servicio al Cliente llamando al 1-855-434-5224 o visite [www.HomeDepot.com](http://www.HomeDepot.com).

# Pre-instalación

## PLANIFICACIÓN DE LA INSTALACIÓN



**INSTALACIÓN AVANZADA:** Consulta a un plomero o profesional antes de instalar este producto.

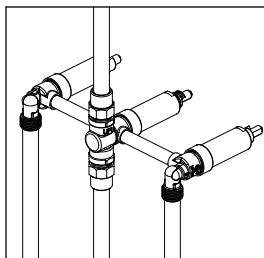
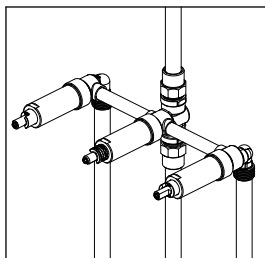
Antes de comenzar la instalación de este producto, asegúrate de que no falta ninguna pieza. Compara las piezas con la lista de Contenido del paquete. Si falta alguna pieza o está dañada, no intentes instalar el producto. Comunícate con el servicio al cliente para piezas de repuesto.

Todas las instalaciones pueden variar en dependencia de cómo estaba instalado el grifo anterior. No se incluyen todos los suministros para la instalación del grifo; sin embargo, están disponibles dondequiera que se vendan suministros de plomería. Al elegir tus suministros de instalación, asegúrate de que son productos aprobados por UPC y/o CSA.

## HERRAMIENTAS Y HERRAJES NECESARIOS

Si estás cambiando tu válvula de plomería, consulta los cuatro métodos comunes que aparecen más abajo: COBRE, IPS, PEX y CPVC. Quita la manija y el regulador de válvula preexistentes antes de reemplazar tu válvula. Cumple con todos los códigos locales de construcción y plomería.

### A. COBRE (Antes de soldar, quita el cartucho de la válvula)



Gafas de seguridad



Cinta métrica



Cortador de tuberías



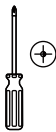
Serrucho de punta



Cinta selladora para roscas



Llave ajustable



Destornillador Phillips



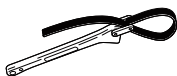
Sellador de silicona



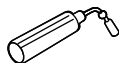
Linterna



Cepillo de alambre



Llave de correa



Soplete

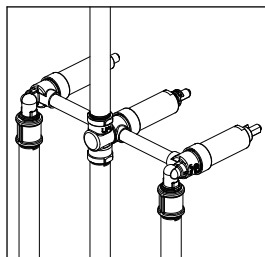
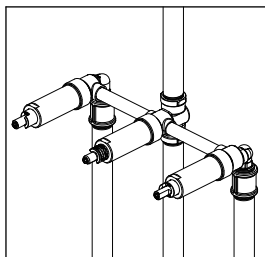


Kit de alambre de soldadura sin plomo



# Pre-instalación (continuación)

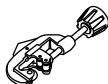
## B. IPS



Gafas de seguridad



Cinta métrica



Cortador de tuberías



Serrucho de punta



Cinta selladora para roscas



Llave para tubería



Llave ajustable



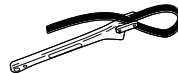
Destornillador Phillips



Sellador de silicona

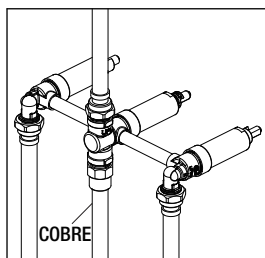
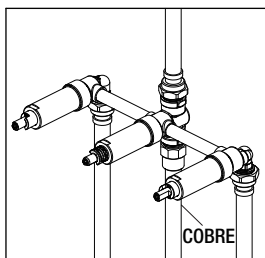


Linterna



Llave de correa

## C. PEX+COBRE



Gafas de seguridad



Cinta métrica



Cortador de tuberías



Serrucho de punta



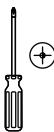
Cinta selladora para roscas



Herramienta para engazar de círculo completo



Llave ajustable



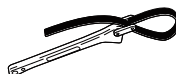
Destornillador Phillips



Sellador de silicona



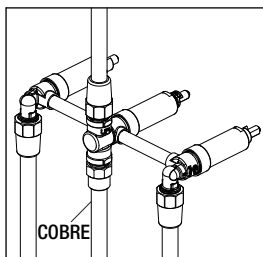
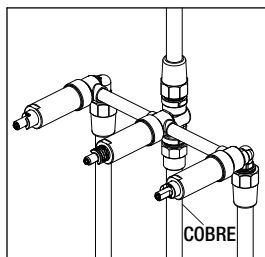
Linterna



Llave de correa

# Pre-instalación (continuación)

## D. CPVC+COBRE



Gafas de seguridad



Cinta métrica



Cortador de tuberías



Serrucho de punta



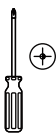
Cinta selladora para roscas



Linterna



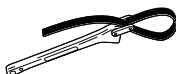
Llave ajustable



Destornillador Phillips



Sellador de silicona



Llave de correa



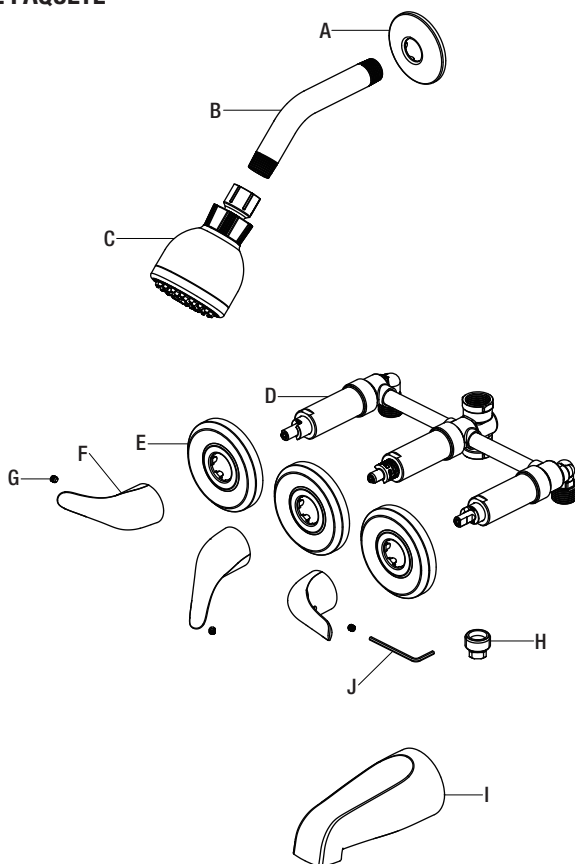
Cemento CPVC



Limpiador CPVC

# Pre-instalación (continuación)

## CONTENIDO DEL PAQUETE



Pieza	Descripción	Cantidad
A	Brida de la ducha	1
B	Brazo de la ducha	1
C	Cabezal de la ducha	1
D	Cuerpo de la válvula	1
E	Brida	3
F	Llave	3
G	Tornillo de fijación	3
H	Tapón	1
I	Caño de la bañera	1
J	Llave hexagonal de 2.5 mm	1

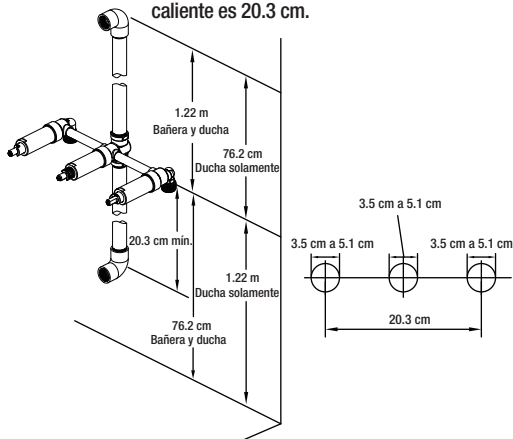
# Instalación

## 1 Cómo prepararse para la instalación

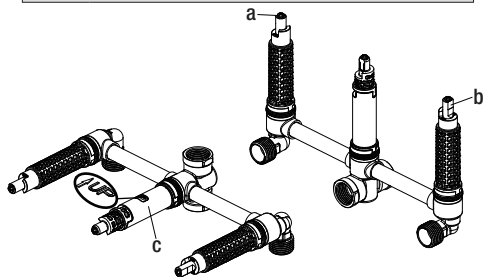


**PRECAUCIÓN:** Cierra siempre el suministro de agua antes de retirar un grifo existente o reemplazar alguna parte del mismo. Abre la llave del grifo para liberar la presión de agua y asegúrate de que el suministro de agua esté completamente cerrado.

- Cierra el suministro de agua a la bañera y a la ducha.
- Verifica que el tamaño y la posición de los orificios en la pared sean correctos:
  - Los orificios de salida del caño de bañera y ducha deben ser de 3.2 cm de diámetro.
  - Para la entrada de agua fría (lado derecho) y la de agua caliente (lado izquierdo), haz o deja un orificio de 3.5 cm (el tamaño recomendado es 4.4 cm. La distancia entre los centros de las entradas de agua fría y caliente es 20.3 cm.



**NOTA:** No desarmar los cartuchos ni el desviador durante la instalación normal. Al reinstalar los cartuchos, asegúrate de insertarlos con el tope límite (a y b) apuntando hacia adentro, como se muestra en el diagrama. Al volver a instalar el desviador, asegura insertar la cara (c) con las marcas "UP" mirando hacia arriba, como se muestra en el diagrama. Esto es necesario para que la válvula funcione correctamente.

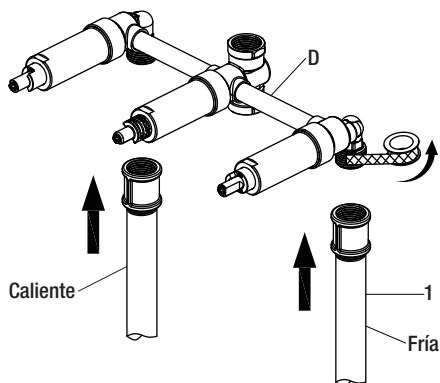


## 2 Cómo instalar las conexiones de suministro



**NOTA:** Asegúrate de colocar el cuerpo de la válvula (D) correctamente en la pared, con la marca "UP" hacia arriba. Las líneas de suministro de agua caliente van en la entrada "H"; las de agua fría, en la entrada "C".

- Coloca cinta selladora para roscas alrededor de las roscas del cuerpo de la válvula (D) en el sentido de las manecillas del reloj, como se muestra.
- Enrosca la línea de agua (1) en el cuerpo de la válvula (D) y apriétala con una llave.



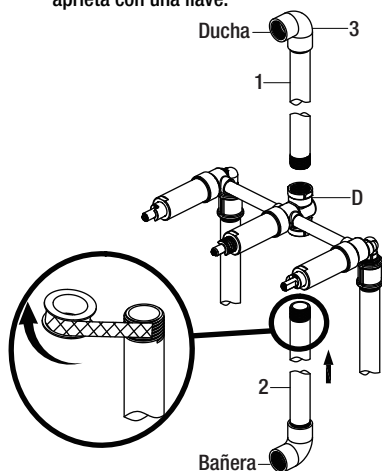
## Instalación (continuación)

### 3 Cómo instalar las conexiones de salida de la bañera y la ducha

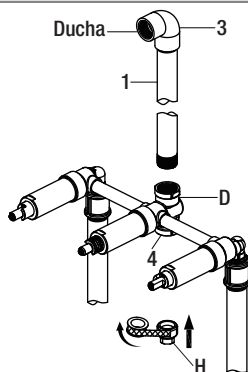


**NOTA:** No uses PEX ni CPVC entre el cuerpo de la válvula (D) y el caño de la bañera (I).

- Coloca cinta selladora para roscas alrededor de las roscas de la tubería en dirección de las manecillas del reloj, tal como muestra el diagrama anterior.
- Conecta las tuberías de salida de la ducha (1) y la tubería de salida de la bañera (2) al cuerpo de la válvula (D). Conecta los codos de la tubería (no incluidos) a los extremos de ambos tubos y aprieta con una llave.

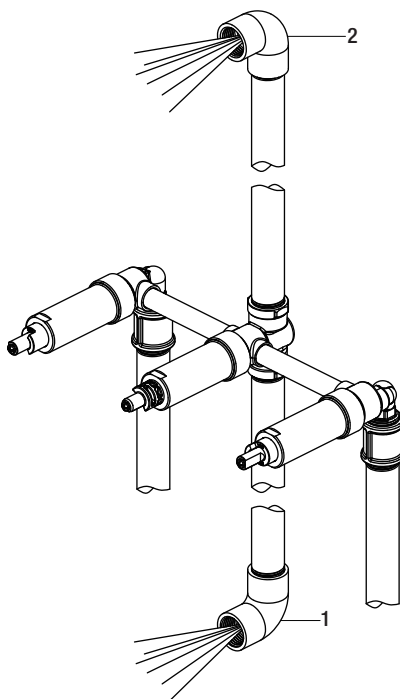


**NOTA:** Para instalar sólo la ducha, coloca cinta selladora de roscas alrededor de las roscas del tapón (H) e insértalo dentro de la salida inferior (4).



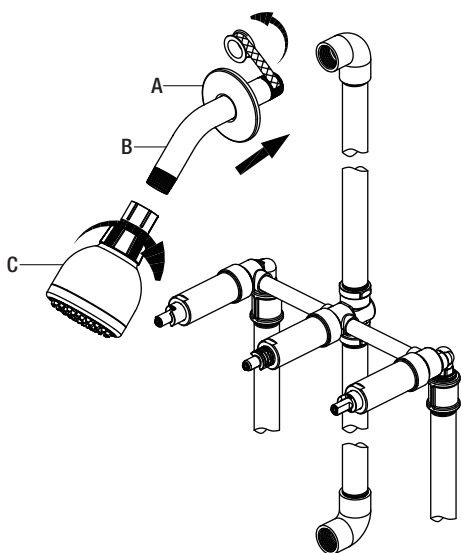
### 4 Cómo purgar las salidas de agua y chequear que no haya fugas

- Para combinaciones de bañera y ducha, abre las líneas de suministro de agua fría y caliente, y deja que el agua salga por la tubería de salida del caño de la bañera (1) hasta que toda la suciedad sea expulsada de la línea. Revisa todas las conexiones para descartar filtraciones.
- Para instalaciones de ducha solamente, abre las líneas de suministro de agua fría y caliente, y deja que el agua salga por la tubería de salida de la ducha (2) hasta que toda la suciedad sea expulsada de la línea. Para que la válvula funcione correctamente, la presión del agua debe ser la misma en la salida del agua caliente y en la salida del agua fría. Revisa todas las conexiones para descartar filtraciones.



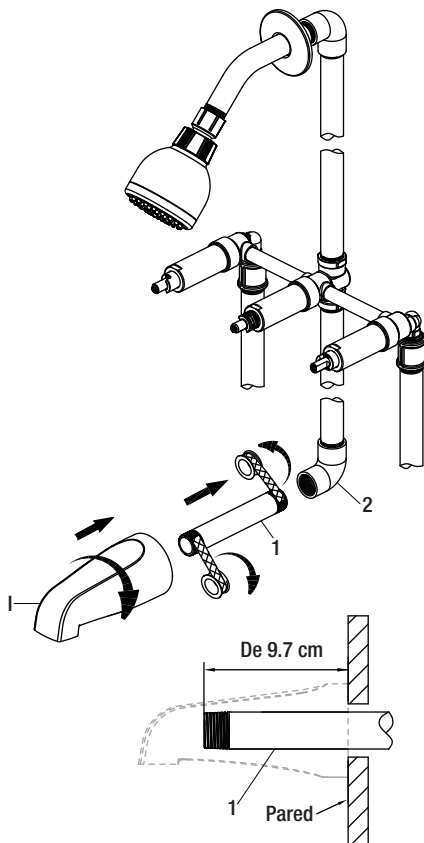
### 5 Cómo instalar la brida de la ducha, el brazo de la ducha y el cabezal de la ducha

- Inserta el extremo largo del brazo de la ducha (B) a través de la brida de esta (A) y coloca enseguida cinta selladora para rosca alrededor de aquel (B), en el sentido de las manecillas del reloj, tal como se muestra.
- Coloca el extremo largo del brazo de la ducha (B) dentro del codo de tubería que está dentro de la pared. La brida de la ducha (A) debe encajar bien ajustada en la superficie de la pared con acabado.
- Enrosca el cabezal de ducha (C) en el brazo de ducha.
- Aprieta con cuidado el brazo (B) y el cabezal de la ducha (C) con una llave de correa limpia. No aprietes demasiado ya que podrías dañar el brazo (B).



### 6 Cómo instalar el caño de la bañera

- Coloca cinta selladora para roscas alrededor de las roscas de la tubería del caño de la bañera (1, no incluida) en dirección de las manecillas del reloj, tal como muestra el diagrama anterior.
- Conecta la tubería de salida del caño de la bañera (la tubería de salida del caño de la bañera debe salir de 9.7 cm de la pared con acabado) al codo de la tubería inferior (2, no incluido). Aprieta los codos y las conexiones de la tubería de salida del caño de la bañera con una llave de correa.
- Enrosca el caño de la bañera (I) hacia la derecha en su tubería de salida (I) hasta que quede al ras de la pared con acabado. Usa una llave de correa para ajustar el caño de la bañera (I).



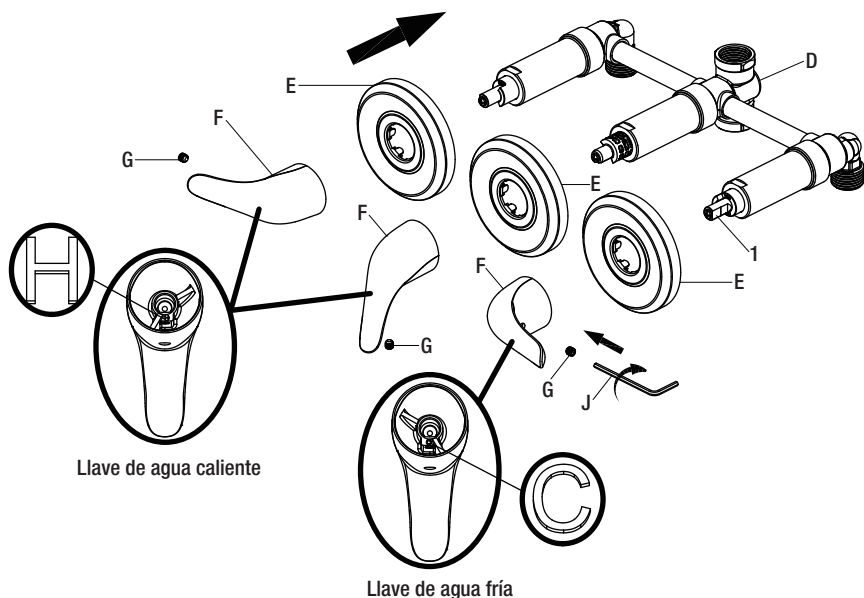
## Instalación (continuación)

### 7 Cómo instalar la llave



**NOTA:** Antes de continuar, asegúrate de que las válvulas estén cerradas.

- Coloca las bridas (E) sobre el cuerpo de la válvula (D).
- Coloca la llaves (F) en el cuerpo de la válvula (D) y aprieta el tornillo de fijación (G) con la llave hexagonal (hexagonal de 2.5 mm, J) incluida.



## Cuidado y limpieza

- Para limpiar, usa un paño húmedo y seca con una toalla.
- No uses limpiadores abrasivos, esponjas de alambre o productos químicos fuertes para limpiar esta mezcladora, pues ello anulará la garantía.

# Solución de problemas

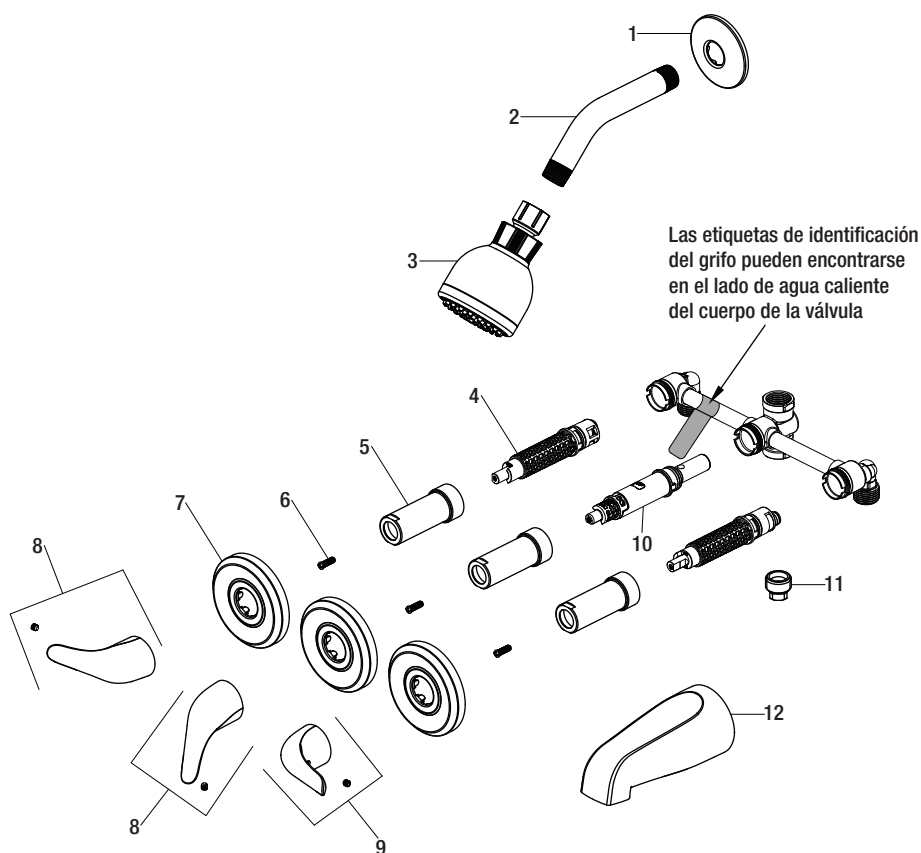


**NOTA:** Consulta en la sección de piezas de repuesto de este manual una ilustración detallada sobre la ubicación de las piezas enumeradas más abajo.

Problema	Posible causa	Solución
No hay flujo de agua o es insuficiente.	Una o ambas líneas de suministro de agua están cerradas.	<ul style="list-style-type: none"> <li><input type="checkbox"/> Gira las válvulas de suministro de agua hacia la izquierda hasta la posición de "abierto".</li> </ul>
Hay una fuga o filtración desde el caño cuando la manija está cerrada.	Los remaches no están debidamente sellados.	<ul style="list-style-type: none"> <li><input type="checkbox"/> Reemplaza el cartucho.</li> </ul>
Sale agua de la canilla de la bañera y del cabezal de la ducha al mismo tiempo.	<p>Si el patrón de flujo de agua cambia del caño de la bañera a la ducha y la filtración del caño es menor a 0.01 GPM, esto sería normal. O considera las siguientes causas:</p> <p>! La tubería usada entre la válvula y el caño de la bañera no es de 1/2 plg. Las tuberías IPS o de COBRE son incorrectas.</p> <p>! La distancia entre la válvula y el cabezal de la ducha es de menos de 1.22 m.</p> <p>! Hay una restricción entre la válvula y el caño de la ducha.</p> <p>! La válvula está instalada al revés.</p>	<ul style="list-style-type: none"> <li><input type="checkbox"/> Cambia la tubería a IPS o COBRE.</li> <li><input type="checkbox"/> La distancia entre la válvula y el cabezal de la ducha varía a menos de 1.22 m.</li> <li><input type="checkbox"/> Quita el caño de la bañera y deja correr el agua para eliminar residuos y/o reemplaza los acoples o líneas de tamaño insuficiente.</li> <li><input type="checkbox"/> Quita la válvula y vuelve a instalarla con orientación adecuada.</li> </ul>
Es difícil girar la manija.	La tuerca ciega está demasiado apretada.	<ul style="list-style-type: none"> <li><input type="checkbox"/> Afloja la tuerca ciega y vuelve a instalarla. No aprietes demasiado.</li> </ul>



# Piezas de repuesto



Pieza	Descripción	Número de pieza
1	Brida de la ducha	RP38046*
2	Brazo de la ducha	RP38019*
3	Cabezal de la ducha	RP38301*
4	Cartucho	RP22018
5	Tuerca del bonete	RP70154*
6	Tornillo	RP50209
7	Brida	RP80387*

Pieza	Descripción	Número de pieza
8	Ensamblaje de la llave H	RP13585*
9	Ensamblaje de la llave C	RP13586*
10	Desviador	RP70620
11	Tapón	RP70153
12	Caño	RP33090*

\*Especificar acabado

Muchos cartuchos de repuesto, aireadores y ensamblajes de drenaje pueden comprarse en tu tienda de The Home Depot local o por internet en [WWW.HOMEDEPOT.COM](http://WWW.HOMEDEPOT.COM)



¿Problemas, preguntas o piezas faltantes?

Antes de regresar a la tienda, llama al servicio al cliente de Glacier Bay de lunes a viernes entre 8 a.m. y 7 p.m. y los sábados entre 9 a.m. y 6 p.m. (hora estándar del Este)

1-855-HD-GLACIER (1-855-434-5224)

[HOMEDEPOT.COM/GLACIERBAY](https://www.homedepot.com/glacierbay)

Conserva este manual para uso futuro.