

StyleWell.™

Item # 1004247379/1004248231

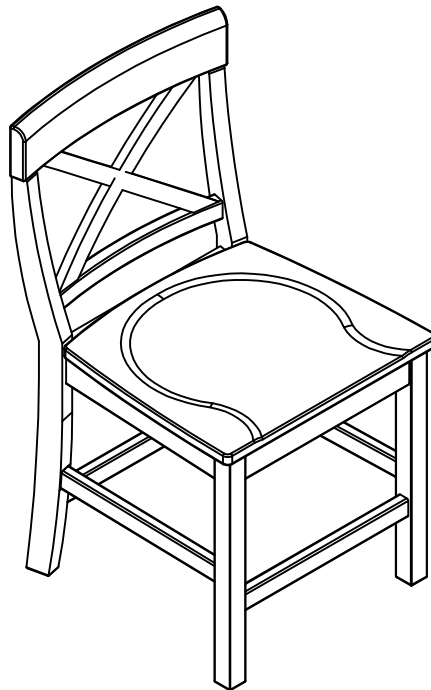
Item # 1004248232/1004248233

Item # 1004248234/1004248235

Model # DC 2005 CHR

USE AND CARE GUIDE

X-BACK WOOD DINING CHAIRS WITH CURVED BACK



Questions, problems, missing parts?
Before returning to the store, call Customer Service.
8 a.m. - 7 p.m., EST, Monday - Friday, 9 a.m. - 6 p.m., EST, Saturday

1-877-527-0313

HOMEDEPOT.COM

THANK YOU

We appreciate the trust and confidence you have placed in Style Well through the purchase of this X-back wood bar stool with curved back. We strive to continually create quality products designed to enhance your home. Visit us online to see our full line of products available for your home improvement needs. Thank you for choosing Style Well!

Table of Contents

Table of Contents	2	Tools Required	3
Safety Information	2	Hardware Included	3
Warranty	2	Pre-assembly (continued)	4
1 Year Warranty	2	Package Contents	4
What is Covered	2	Assembly	5
What is Not Covered	2	Maintenance	11
Pre-assembly	3	Care and Cleaning	11
Planning Assembly	3		

Safety Information



DANGER

- Keep small parts away from children during assembly.
- Read and follow instructions carefully.



WARNING

- TO GUARANTEE THE SAFE USE OF THIS PRODUCT, FOLLOW THE WARNINGS, GUIDELINES AND RECOMMENDATIONS IN THIS MANUAL.
- Adult assembly required.
- Small parts may present choking hazard prior to assembly.



CAUTION

- Do not use power tools to assemble your furniture. Power tools may strip or damage parts/product.
- Do not overtighten connectors (screws, bolts, etc.). Overtightening can lead to product damage.
- Be sure to check all packing materials carefully for small parts that may have come loose inside the carton during shipment. If parts are missing, contact THE HOME DEPOT to obtain any missing parts.
- DO NOT USE SUBSTITUTE PARTS.
- This product should only be used on a flat, level surface.
- Some assembly may involve attaching glass or mirrors.
- Be very careful handling the glass or mirrors, as severe injury may result if the glass or mirror breaks.
- Never handle large pieces of glass or mirrors by yourself.
- Assembly requires two people; assembly alone may cause injury.

Warranty

1 YEAR WARRANTY

WHAT IS COVERED

We guarantee this product to be free of manufacturing defects to the original purchaser for one year.

WHAT IS NOT COVERED

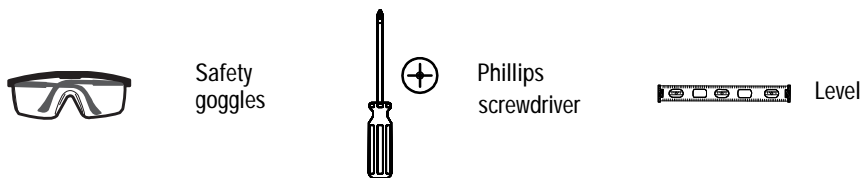
This warranty does not cover commercial use, acts of nature, and abusive use.

Pre-assembly


PLANNING ASSEMBLY

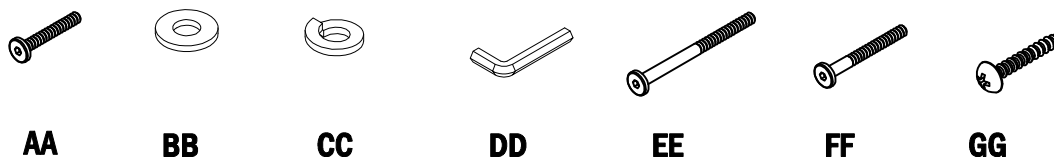
- Remove all Packaging materials , staples and packing straps form the carton .
- Refer to Parts List and Hardware List , and ensure parts and hardware are correct before assembly .
- Contact customer service for missing parts .
- Place all wooden parts on a clean , flat , and soft surface (e.g.carpet or rug) to prevent scratch and damage to parts .

TOOLS REQUIRED



HARDWARE INCLUDED

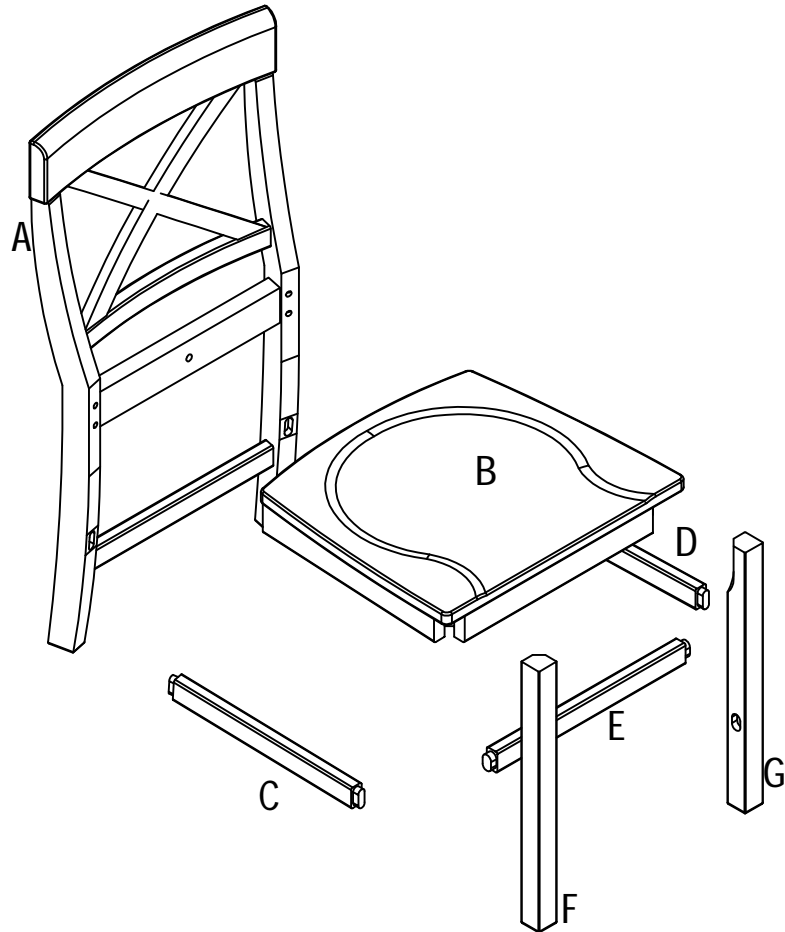
 **NOTE:** Hardware notshown toactual size.



Part	Description	Quantity
AA	Screw Ø6*40mm	1
BB	Washer	9
CC	Washer	9
DD	Allen Key	1
EE	Screw Ø6*80mm	4
FF	Screw Ø6*10mm	4
GG	Screw Ø4*40mm	6

Pre-assembly (continued)

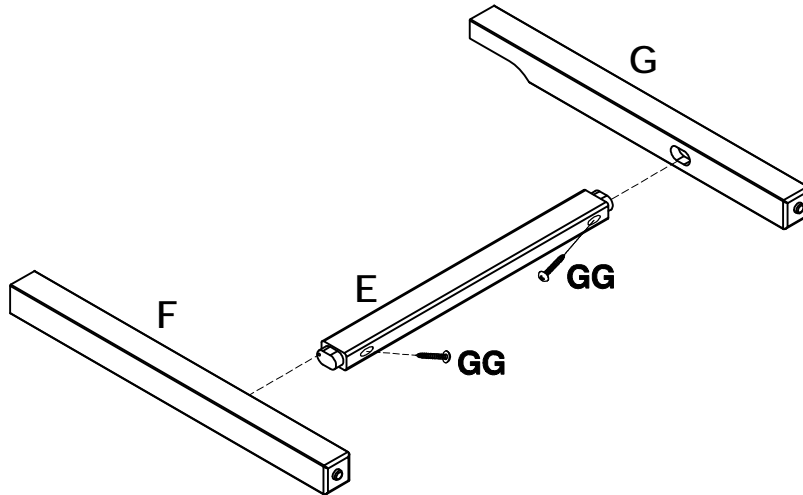
PACKAGE CONTENTS



Part	Description	Quantity
A	Backrest Frame	1
B	Seat Panel	1
C	Left Side Rail	1
D	Right Side Rail	1
E	Front Rail	1
F	Left Leg	1
G	Right Leg	1

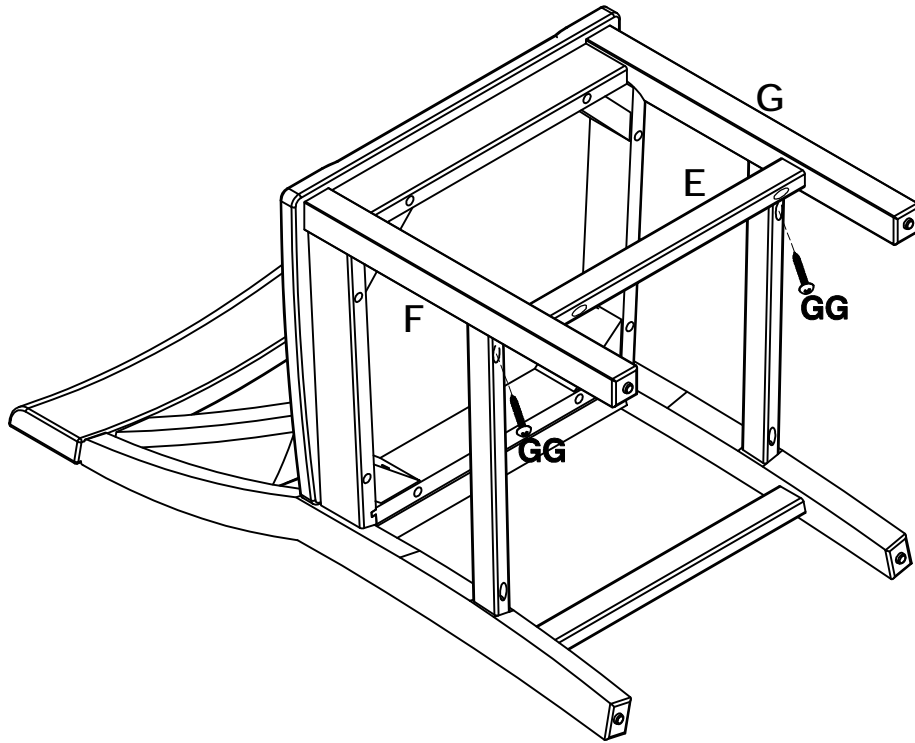
Assembly (continued)

- 4 Attach front rail(E) to left leg(F) and right leg(G) with screws(GG).



Assembly (continued)

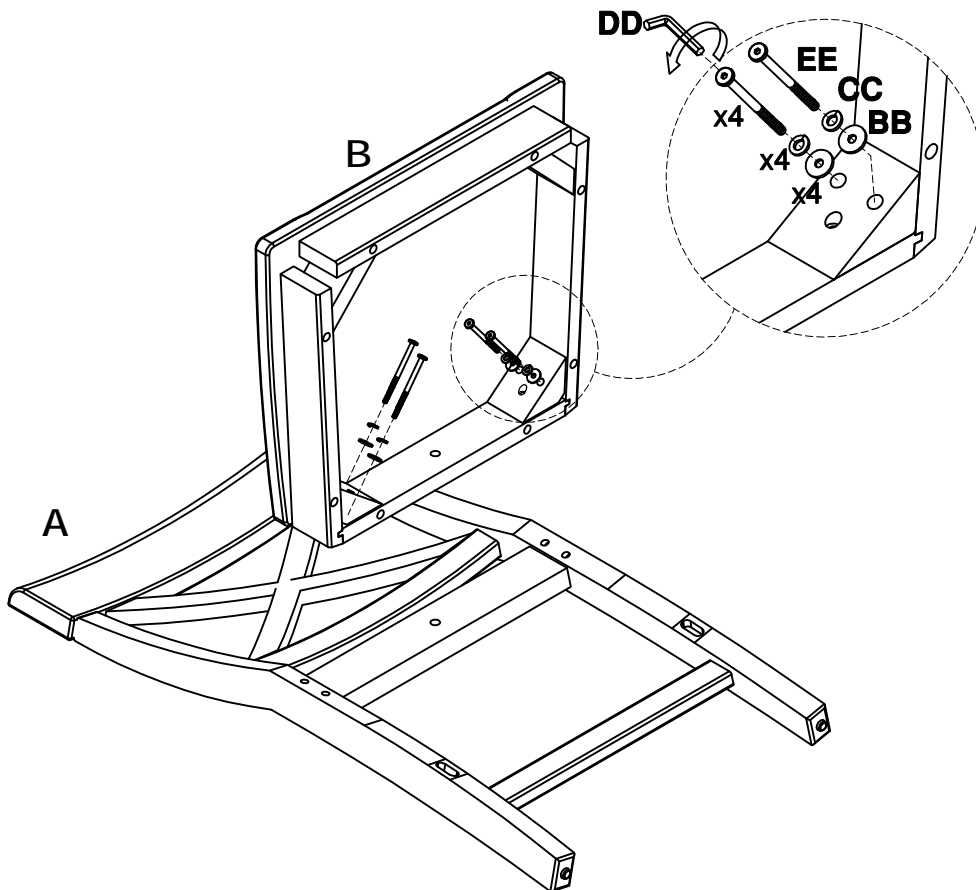
- 5 Attach left leg(F) to left side rail (C) and right leg(G) to right side rail (D) with screw(GG).



Assembly

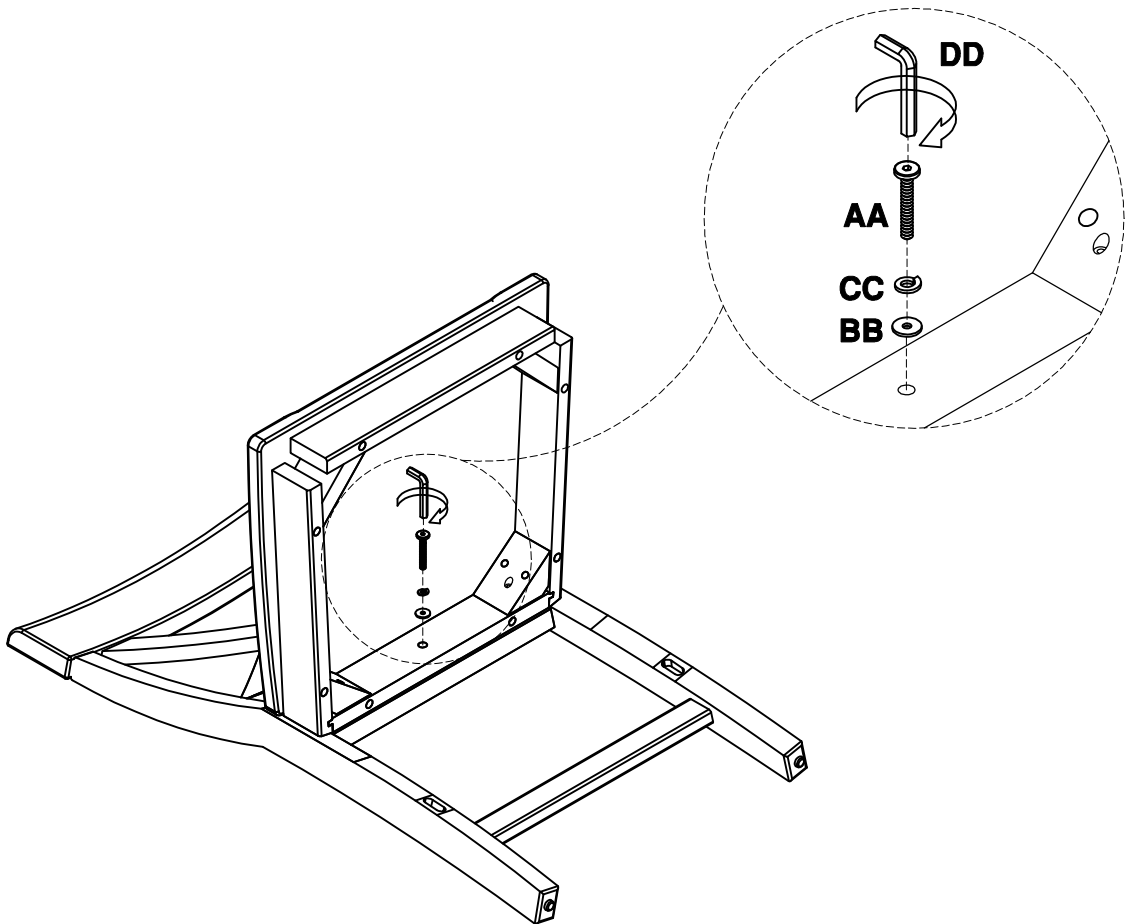
1 Attach seat panel to backrest frame

- Use allen key (DD) to tighten 4 screws(EE) with washers(CC&BB) to fix seat panel(B) to backrest frame(A)



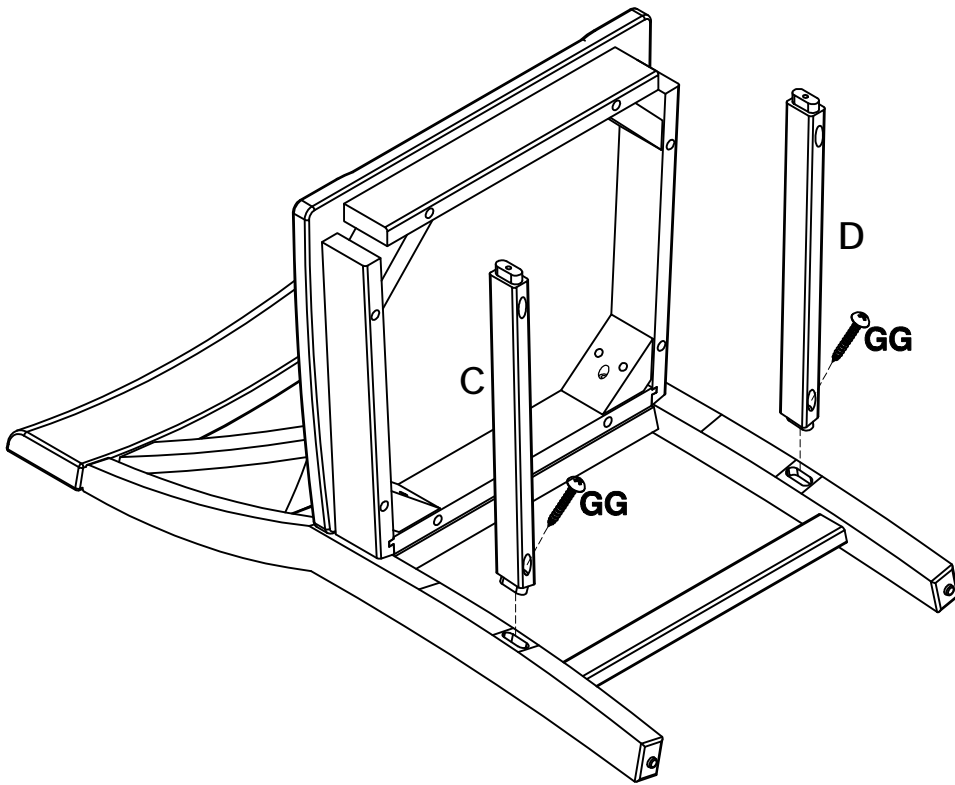
Assembly (continued)

- 2 Use allen key(DD) to drive screw(AA) with washers (CC&BB)as shown,make sure the seat panel(B) and backrest frame(A) more stable.



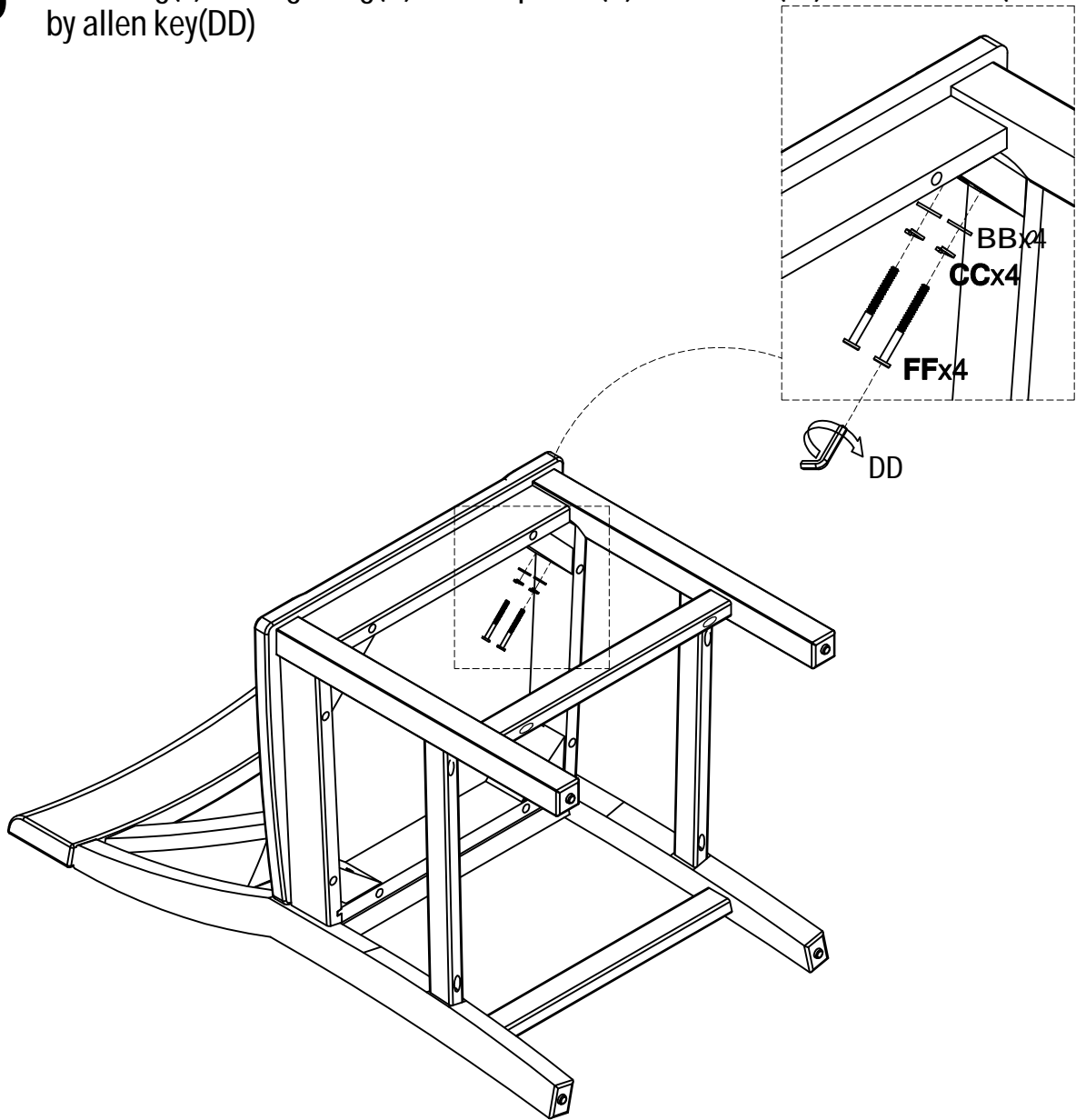
Assembly (continued)

- 3 Attach left side rail(C) and right side rail(D) to the backframe legs,drive screw(GG) tightly.



Assembly (continued)

- 6 Fix left leg(F) and right leg(G) to seat panel (B) with screw(FF) and washers (CC&BB) by allen key(DD)



Maintenance

- Keep the product away from direct heat and sunlight .
- Prolonged exposure to heat sources may cause scorching, or even cause color to fade .
- Regular vacuuming or light brushing helps to remove dirt and prevent soil build-up, which increases the appearance of wear .
- Periodically (every 90 days) make sure that the screws are fully tightened .

Care and Cleaning

- Handle with care.
- Use a slightly damp cloth to clean the product. Do not use bleach or use abrasive cleaning material .
- Check all the fittings periodically and re-tighten as necessary. Do not use the product if any of the parts are damaged or broken .
- Never allow any kind of liquid to remain on your furniture .
- Absorption can make wood warp or delaminate .
- Do not place hot items (e.g. hot drinks) directly onto the wood surface.
- Do not drag and /or pull the furniture .
- Never use harsh chemicals or solvents on your product as this may damage the metal .
- Marks and stains from pens, crayons and ink markers are difficult to remove. In the event that your products become permanently stained, we recommend that you consult a professional .