



FIG. 1

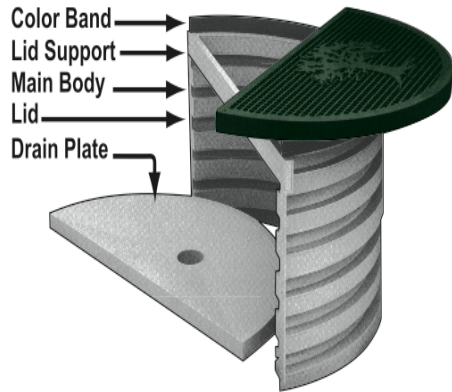
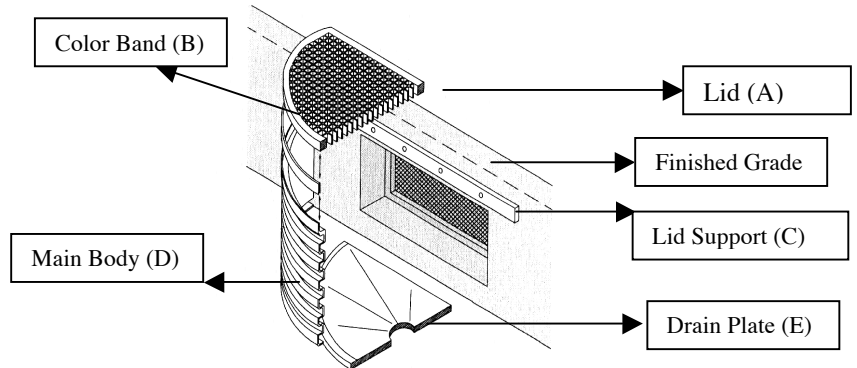


FIG. 2



**Dec-O-Vent Unit™**

Required Tools

- Shovel
- Drill (*if attaching Main Body to foundation*)
- 2" PVC pipe with 90° fitting & nipple (*if attaching drainpipe to main body*)
- Six #12 x 1-1/2" stainless steel screws (*if bolting Main Body to foundation*)
- Four #12 x 1-1/2" stainless steel screws with plastic anchors (*if bolting lid to foundation*)
- Gravel for under drain plate if using as a dry well

**INSTALLATION DIAGRAM**

Installation Instructions

**Directions:**

1. Remove earth and any material around foundation vent, leaving enough space to place Dec-O-Vent™ unit next to foundation  
NOTE: this is to include a hole with a depth of at least 18" deep, allowing for proper fill and compaction.
2. Establish height of finished grade
3. Divide vent space at center. Mark center vertically on foundation wall. NOTE: Centering Dec-O-Vent™ on existing foundation vent opening is very important for proper airflow.
4. Measure 1" down from finished grade height. Mark horizontally on foundation wall. NOTE: be sure the line is level.
5. If you are going to install plumbing to allow drainage away from vent well you will need to locate the beginning point of the drainpipe at the center of hole. NOTE: for best fit it is recommended that the drainpipe have a 2" PVC 90° fitting at the end in order for a nipple to properly fit into the drainpipe.
6. NOTE: In most cases the Dec-O-Vent™ can be backfilled into place. If the back fill doesn't cover the Main Body (D) it is recommended that you bolt the unit to the foundation using six #12 x 1-1/2" stainless steel screws. If bolting unit to foundation proceed to step # 7. If using back fill take the complete unit, and assemble the parts together. Hold the unit up against the foundation with the lid centered on foundation mark and hold unit level on foundation. Back fill the unit up against the foundation.
7. Use drill bit and make 4 holes, evenly spaced between the holes on the lid support bar, for the screws. Line up the top of lid support (A) with the mark you made in step #4. Line up center of lid support with centerline mark on foundation wall. Hold up lid support along the horizontal line, that you marked on foundation wall in step #4. Mark the location of the four screw holes within lid support onto the foundation wall.
8. Drill a 1/4" diameter hole at the four points marked on the wall. Install four plastic anchors into the holes. Hold up lid support (A) and install four #12 x 1-1/2" stainless steel screws into lid support. This will attach the lid support (A) to the foundation.
9. Slide Drain Plate (E) into the Main Body (the drain plate installs at the bottom or in the middle of Main Body). Push the ends of the Main Body (D) onto the lid support bar. There are two plastic studs (one on each side of main body) and they slide into lid support bar. Hold Main Body (D) against foundation and mark location of three holes on each side of the Main Body (D) located within the flange. After making marks, assure that unit is lined up with drain and anchors in foundation, as well as lid support, pull unit away. Bury drainpipe with 3/4" crushed rock or gravel. Secure the unit to the foundation by using six #12 x 1-1/2" stainless steel screws.
10. Level grade material around unit for proper drainage away from house and vent.

LIMITED WARRANTY. Every Dec-O-Vent™ is warranted to be free of defects from workmanship and materials for a period of one year from date of original purchase. If inspection by Decovent, LLC shows the trouble to be the result of defective workmanship or material Decovent, LLC will replace the defective part at our option, without charge. THIS WARRANTY DOES NOT APPLY WHERE:

- Repairs have been made or attempted by others.
- Replacement is required by improper installation
- The Dec-O-Vent™ unit has been abused, or improperly maintained.
- Alterations have been made to the unit.

In no event shall Decovent, LLC be liable for any direct, incidental, or consequential damages from the sale or use of the product (Dec-O-Vent™ unit). This disclaimer applies both during and after the term of this warranty, and is all-inclusive regarding any and all possible scenarios as allowed by a particular State or Country where this product is sold.

Dec-O-Vent™, model number 2000-001, UL listed and manufactured by Decovent, LLC, Pleasant Hill, Oregon.

<http://decovent.net>