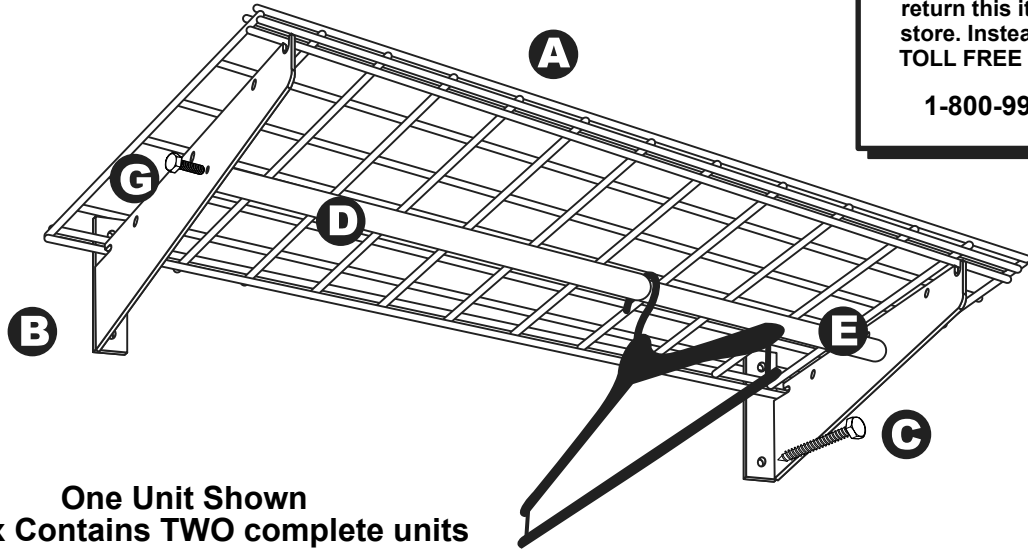




INSTALLATION INSTRUCTIONS

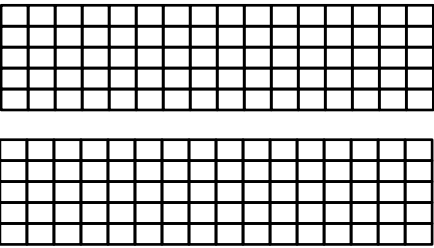
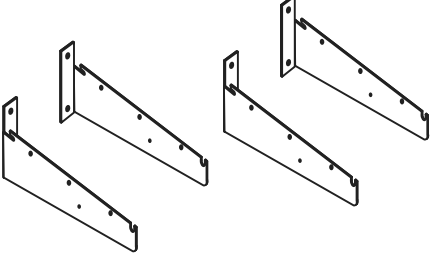
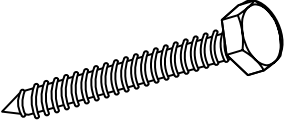
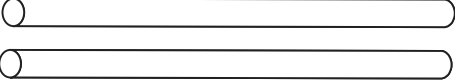
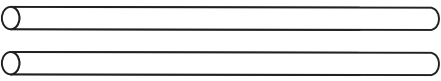

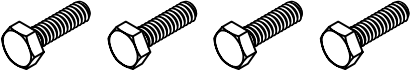

HyLoft 36" x 18" Shelf

MISSING A PART?
 There is no need to return this item to the store. Instead call our TOLL FREE HOTLINE.
1-800-990-6003



One Unit Shown
 Box Contains TWO complete units

Parts Included:

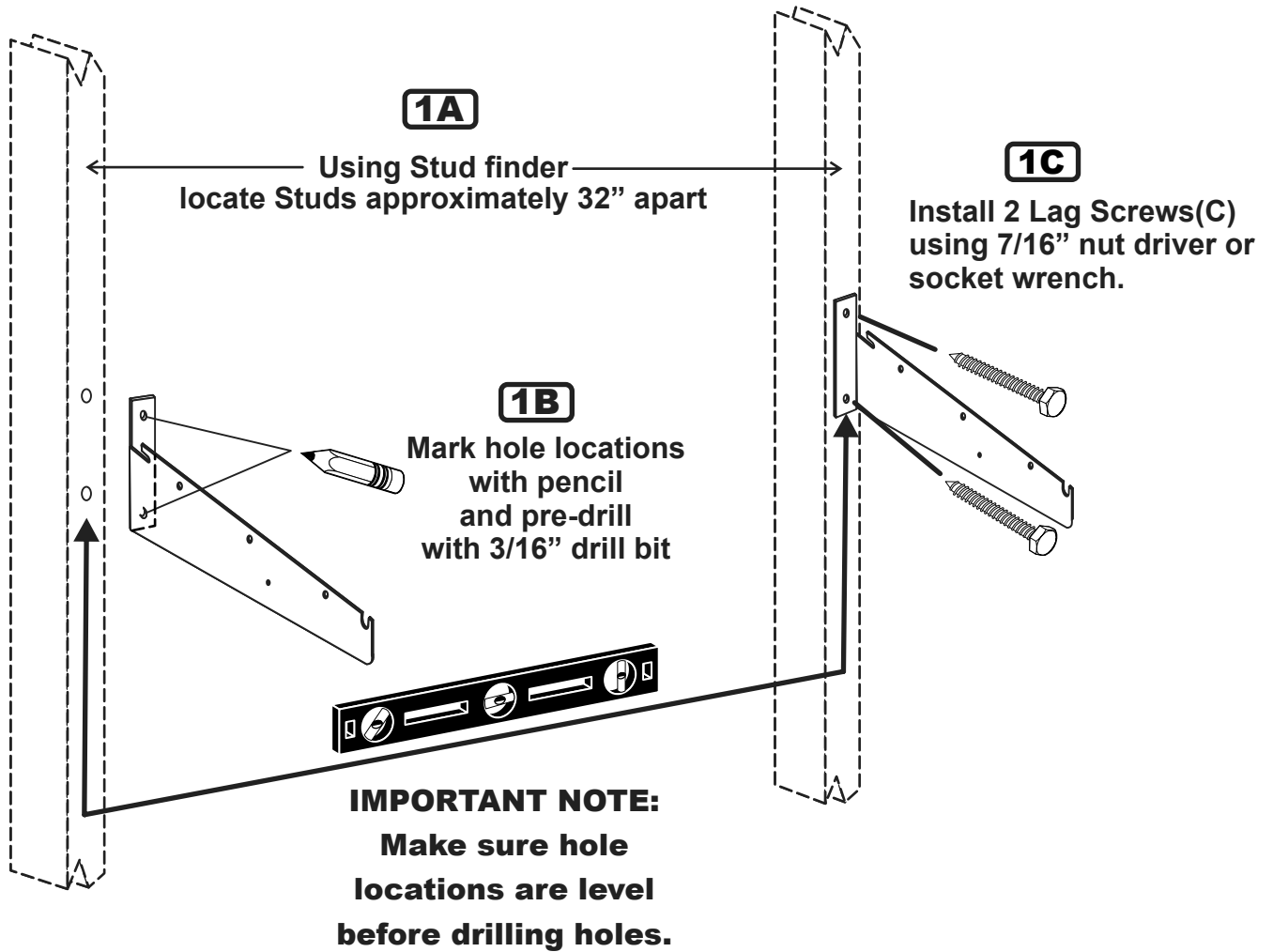
<p>A 2 wire grids</p> 	<p>B 4 Shelf Brackets-2 left and 2 right</p> 	<p>C 12 Lag Screws 5/16" X 2 1/2"</p> 
<p>D 2 Large Clothes Rods</p>  <p>E 2 Thinner Clothes Rods</p> 	<p>F 4 Rubber Stoppers</p>  <p>G 4 Hex Bolts 1/4" x 1/2".</p> 	<p>H HyLoft Sticker</p> 

Tools required for installing the 36" x 18" shelves:

- 7/16" (11 mm) Wrench • Stud Finder • Drill and 3/16"(5 mm) drill bit
- Socket Wrench and 7/16"(11 mm) Socket • Tape Measure • Pencil • Level



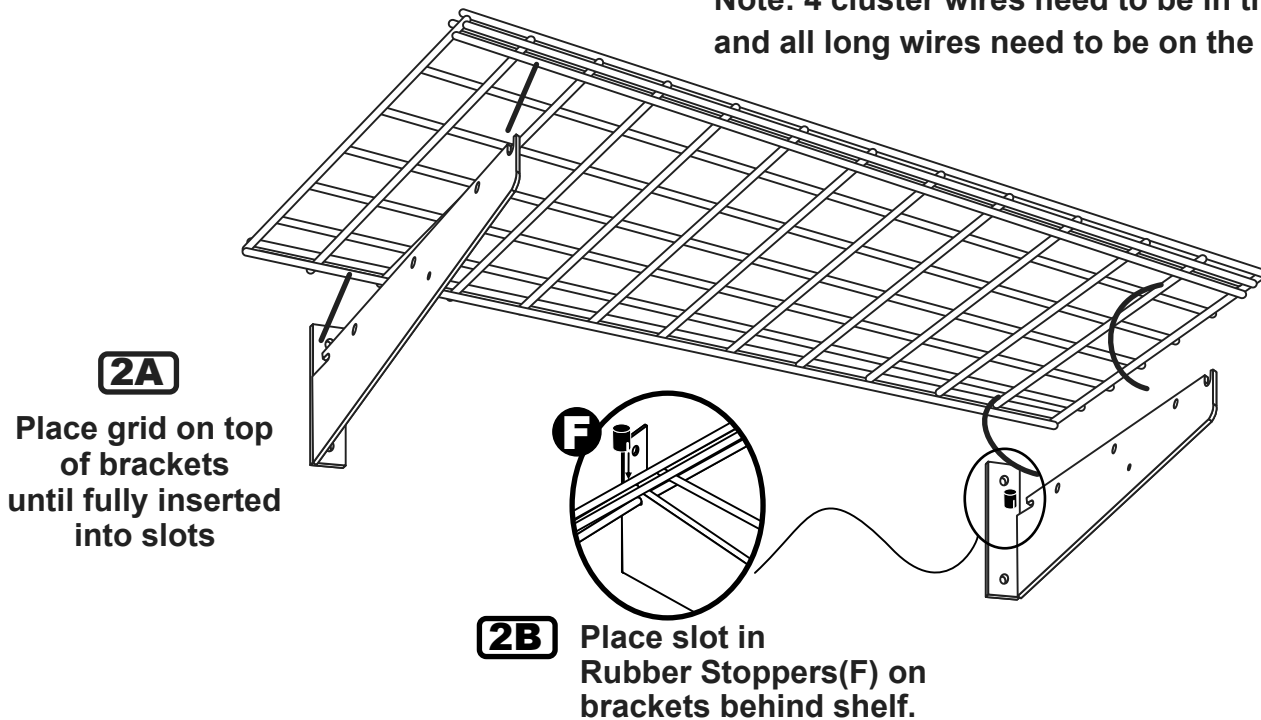
INSTALL SHELF BRACKETS INTO WALL STUDS



2

PLACE AND ATTACH GRIDS

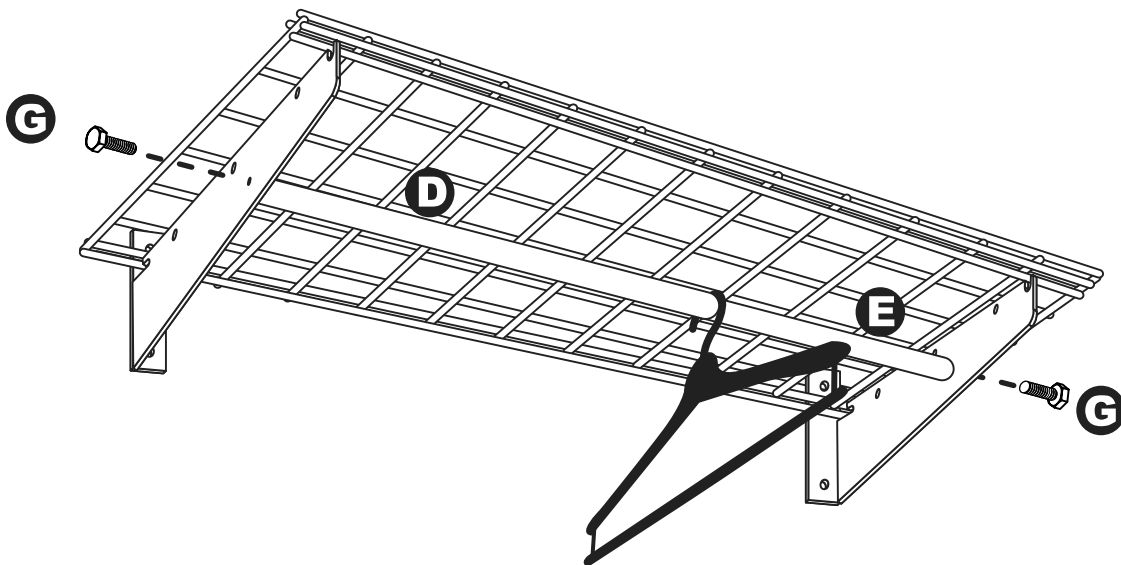
Note: 4 cluster wires need to be in the front and all long wires need to be on the top.



3

ATTACH CLOTHING RODS(OPTIONAL)

Insert thin clothes rod (E) into larger clothes rod (D). Attach rod assembly with $\frac{1}{2}$ " screws (G) into ends of clothes rods (D & E) as shown.



You have now completed the installation and are ready to load your new HyLoft Shelf. **(Maximum 150 lbs. per 18" x 36" unit, evenly distributed)**. Place the sticker provided on a bracket for easy access to reference information.

Periodically (at least annually) check all connections to ensure that they remain tightly fastened.