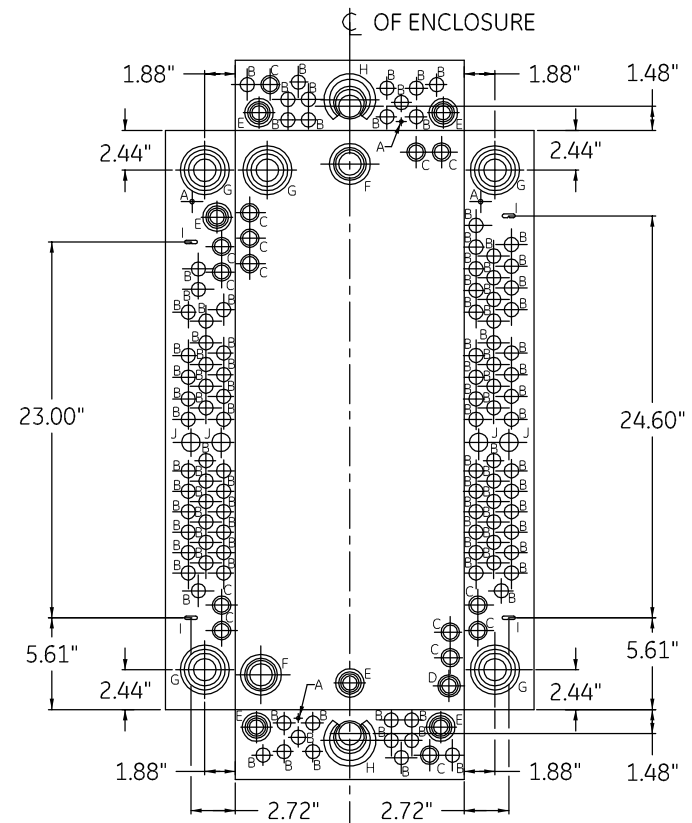


| CAT. NO. | MODEL |
|--------------|-------|
| TLM3220C64G2 | 1 |
| TLM3220C64GK | 1 |
| TM3220C64 | 1 |
| TM3215C64K | 1 |
| TM3220C64K | 1 |

| SYMBOL | SIZE | QTY. |
|--------|----------------------------------|------|
| A | 9/32 KO | 4 |
| B | 1/2 KO | 104 |
| C | 1/2 X 3/4 KO | 15 |
| D | 1/2 X 3/4 X 1 KO | 1 |
| E | 1/2 X 3/4 X 1 X 1 1/4 KO | 5 |
| F | 1 X 1 1/4 X 1 1/2 X 2 KO | 2 |
| G | 1 X 1 1/2 X 2 X 2 1/2 KO | 5 |
| H | 1 X 1 1/4 X 1 1/2 X 2 X 2 1/2 KO | 2 |
| I | .219 X .08 OBLONG KO | 4 |
| J | 3/4 KO | 4 |



KNOCKOUT DIAGRAM

NOTE: ALL KO LOCATING DIMENSIONS ARE INSIDE OF BOX.

ALL DIMENSIONS HAVE +/- .125 TOLERANCE

imagination at work

OUTLINE DRAWING
 CSA INDOOR LOAD CENTER

| DWG NO. | DATE | REV |
|---------------|----------|-----|
| 10103091SH238 | 03/21/17 | 01 |